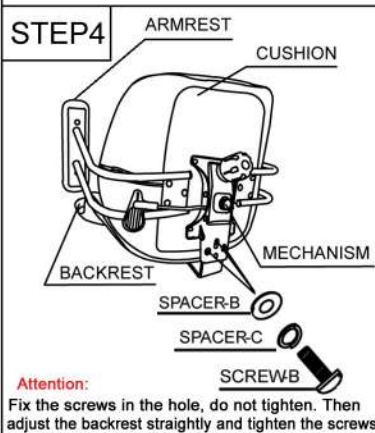
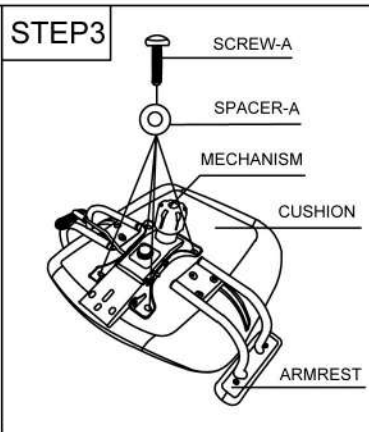
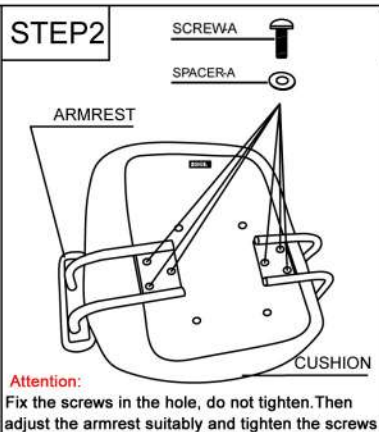
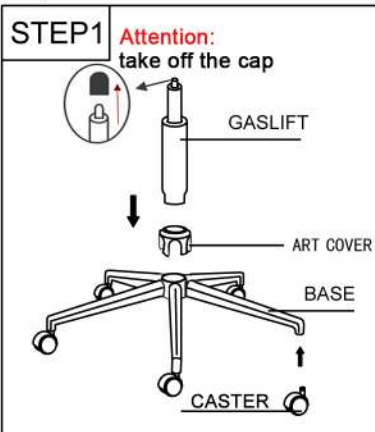


ASSEMBLY INSTRUCTION

▽ ASSEMBLY PROGRAM



▽ PARTS*QTY

BACKREST x1	CASTER x5
CUSHION x1	SCREWA(M6X20mm) x10
ARMREST x2	SCREWB(M8X25mm) x3
MECHANISMx1	SPACER-A(M6X18mm) x10
GASLIFTx1	SPACER-B(M8X17mm) x3
ART COVERx1	SPACER-C(M8X13mm) x3
BASE x1	SPANNER x1