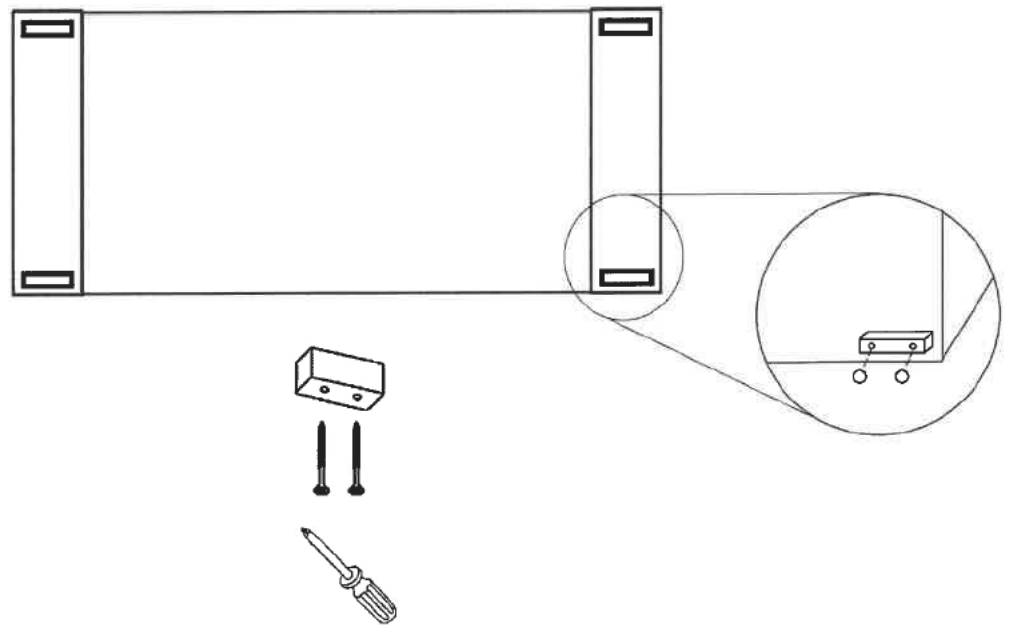





S3 (1800)



A  x8 5x50 TOM	B  x4 H=45	C  x8 Felt Feutre
-------------------------------------------------------------------------------------------------------------	---------------------------------------------------------------------------------------------------------	------------------------------------------------------------------------------------------------------------------