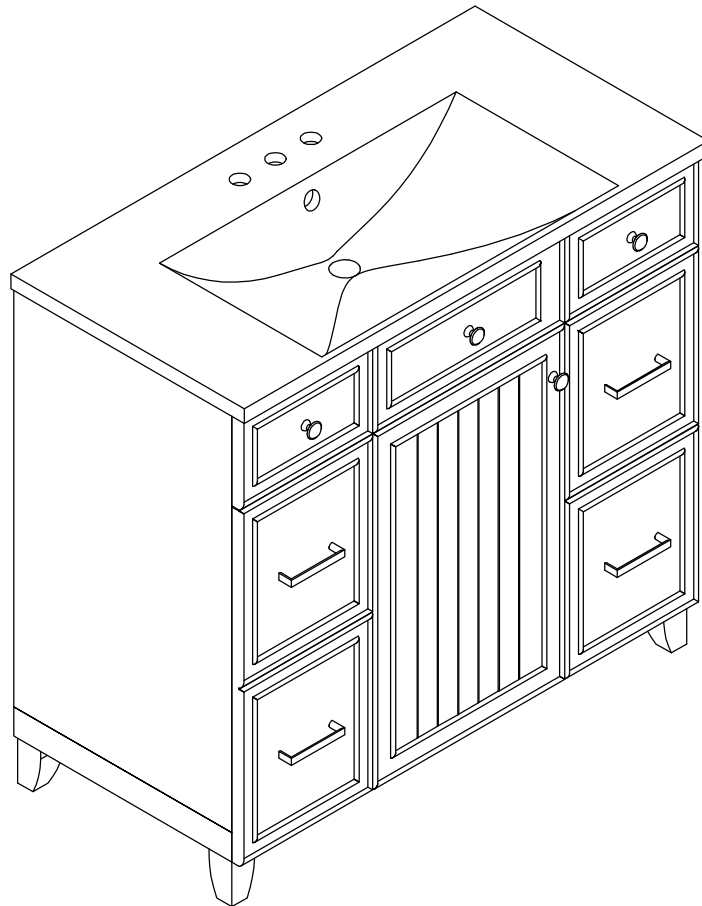


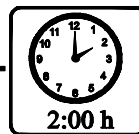
# ASSEMBLY INSTRUCTIONS

## 36 INCH BATH VANITY-CABINET

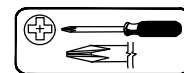


Thank you for purchasing this quality product. Be sure to check all packing material carefully for small parts which may have come loose inside the carton during shipment. Separate, identify and count all parts and hardware. Compare with the parts list to be sure all parts are present.  
**"DO NOT TIGHTEN SCREWS UNTIL COMPLETELY ASSEMBLED"**

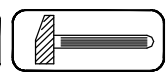
**\* Use of power tool to assemble this product will invalidate any claim and damage this product making unsafe !!!**  
**\* Please assemble on a clean soft surface to avoid damage.**



### Tools Required



(Not included)



(Not included)

**IMPORTANT:**

**PLEASE READ INSTRUCTION BEFORE STARTING THE ASSEMBLY**

**Thank you for buying our products.**

**Please read the installation manual carefully before installation,**

**we need you to follow the instructions on the accessories and hardware**

**step by step assembly complete, our instructions are very detailed.**

**Products are environmentally friendly products,**

**Please rest assured that you do not soak in water, do not place very heavy items,**

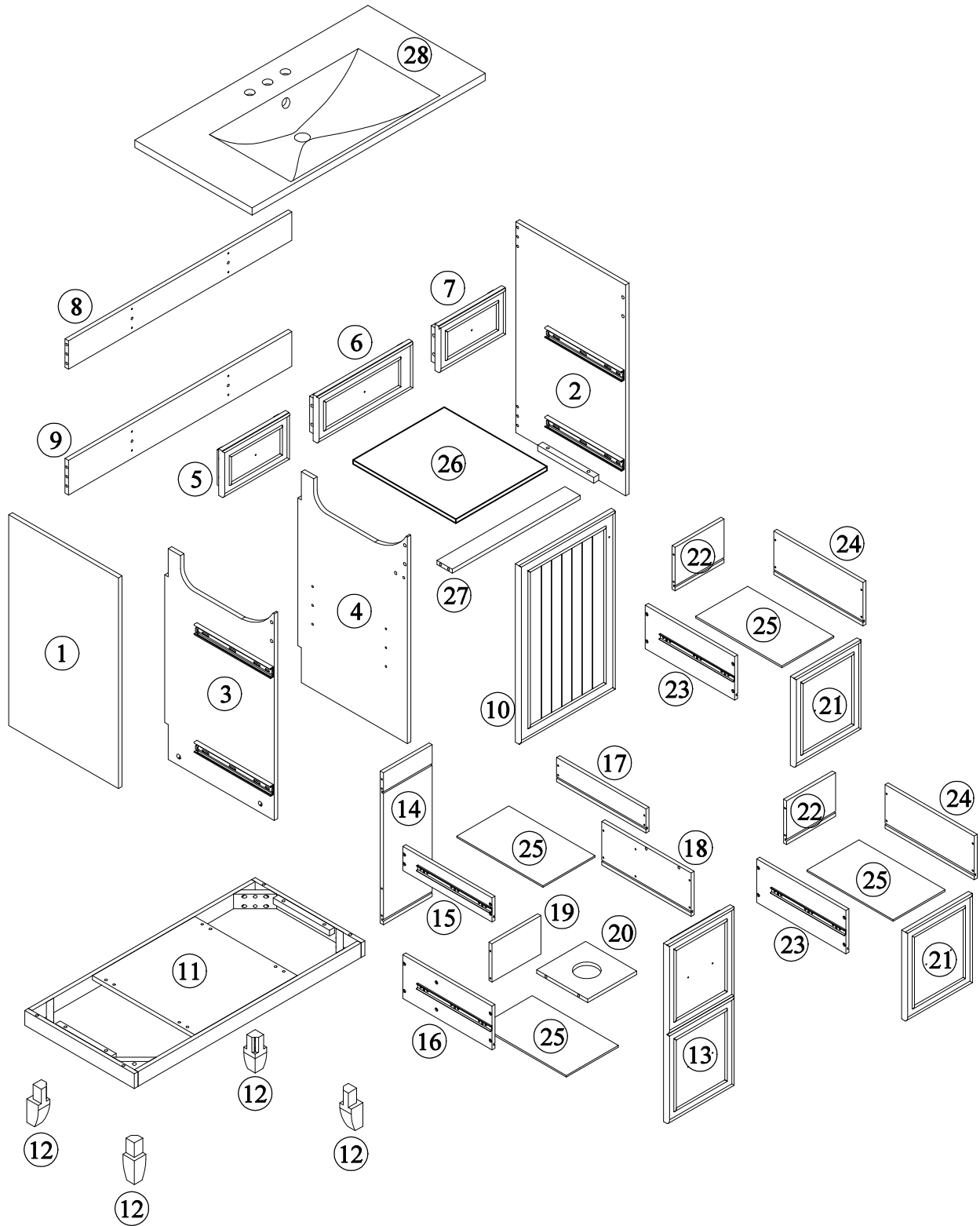
**do not malicious push and pull,**

**if you have any problems in the process of assembly and use, please contact us.**

**Thank you again for your purchase of our products,**

**I wish you a happy life.**

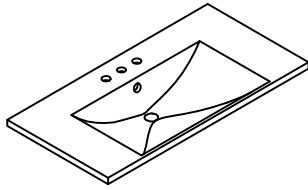
# Detail View - CABINET



**Identifying the Hardware**-Identify the hardware using the illustrations below.

## Part List -

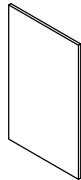
28



Sink - 1pc

## Part List -

1



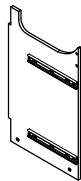
Side Panel (L) - 1pc

2



Side Panel (R) - 1pc

3



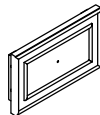
Mid Fixed Panel (L) - 1pc

4



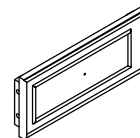
Mid Fixed Panel (R) - 1pc

5



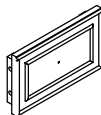
Front Panel (L) - 1pc

6



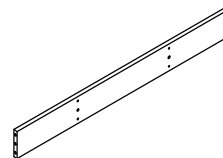
Front Panel Mid - 1pc

7



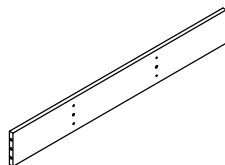
Front Panel (R) - 1pc

8



Back Panel Top - 1pc

9



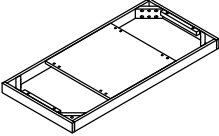



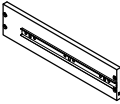
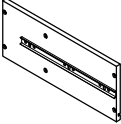

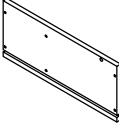
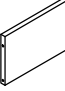
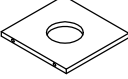
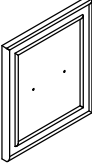
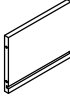
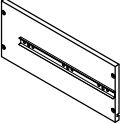
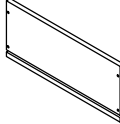
Back Panel Bottom - 1pc

10



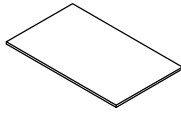
Door - 1pc

# Part List -

11	 Frame Bottom - 1pc	12	 Foot - 4pcs
13	 Drawer Front (L) - 1pc	14	 Drawer Back (L)- 1pc
15	 Drawer Side Top(L-L) - 1pc	16	 Drawer Side Bottom(L-L) - 1pc
17	 Drawer Side Top(L-R) - 1pc	18	 Drawer Side Bottom(L-R) - 1pc
19	 Drawer Mid - 1pc	20	 Drawer Mid Top - 1pc
21	 Drawer Front (R) - 2pcs	22	 Drawer Back (R) - 2pcs
23	 Drawer Side (R-L) - 2pcs	24	 Drawer Side (R-R) - 2pcs

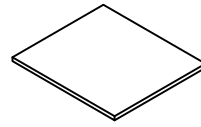
## Part List -

25



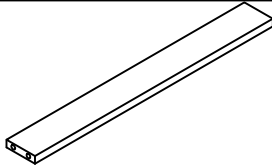
Drawer Bottom - 4pcs

26







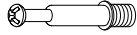


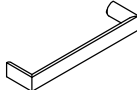
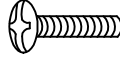
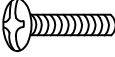
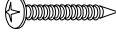
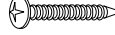
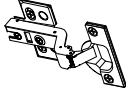
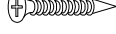
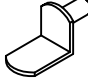



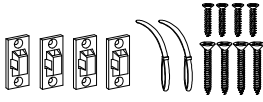
Adjustable Shelf - 1pc

27

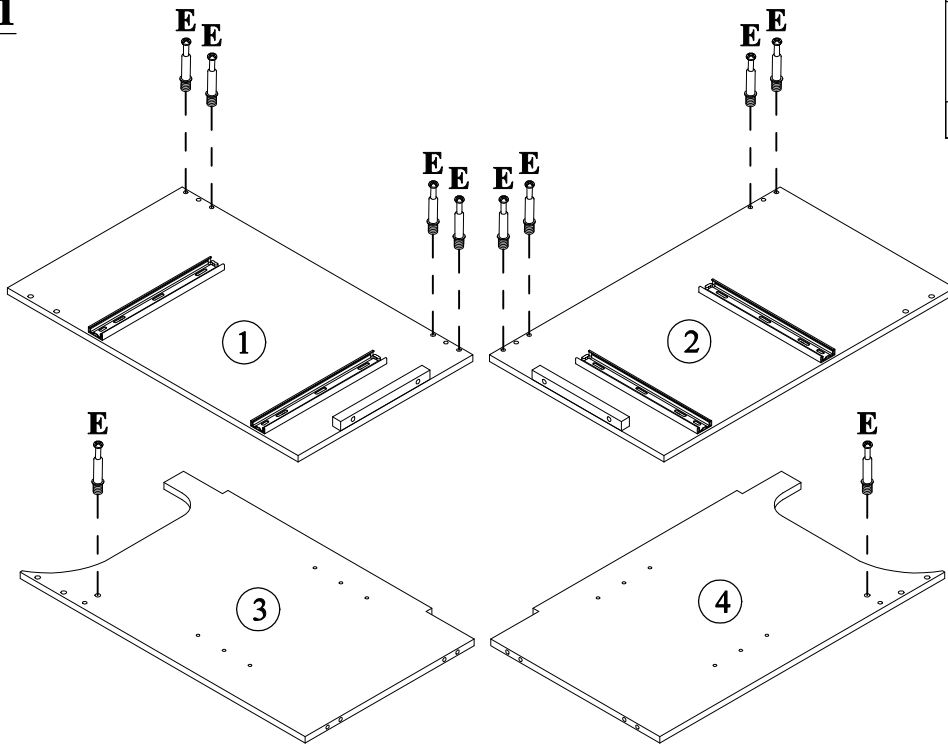


Mid Bar - 1pc

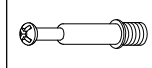
# Hardware List -

<p><b>A</b></p>  <p><math>\phi 13 \times 1/4" \times 28 \text{mm}</math></p> <p>Hex-Head bolts(8pcs)</p>	<p><b>B</b></p>  <p><math>\phi 13 \times 1/4" \times 38 \text{mm}</math></p> <p>Hex-Head bolts(8pcs)</p>	<p><b>C</b></p>  <p><math>\phi 13 \times 1/4" \times 50 \text{mm}</math></p> <p>Hex-Head bolts(4pcs)</p>
<p><b>D</b></p>  <p><math>\phi 1/4" \times 16 \times 1 \text{mm}</math></p> <p>Washer(20pcs)</p>	<p><b>E</b></p>  <p><math>\phi 6 \times 35 \text{mm}</math></p> <p>Three in one bolts(14pcs)</p>	<p><b>F</b></p>  <p><math>\phi 14.5 \times 12 \text{mm}</math></p> <p>Three in one lock(14pcs)</p>
<p><b>G</b></p>  <p>Handle(4pcs)</p>	<p><b>H</b></p>  <p>Handle (4pcs)</p>	<p><b>I</b></p>  <p><math>\phi 5/32" \times 19 \text{mm}</math></p> <p>Handle screw(6pcs)</p>
<p><b>J</b></p>  <p><math>\phi 5/32" \times 32 \text{mm}</math></p> <p>Handle screw(6pcs)</p>	<p><b>K</b></p>  <p><math>\phi 8 \times \phi 4 \times 32 \text{mm}</math></p> <p>Round head screw(36pcs)</p>	<p><b>L</b></p>  <p><math>\phi 8 \times \phi 4 \times 25 \text{mm}</math></p> <p>Round head screw(8pcs)</p>
<p><b>M</b></p>  <p>Damping hinge (2pcs)</p>	<p><b>N</b></p>  <p><math>\phi 7 \times \phi 3.5 \times 15 \text{mm}</math></p> <p>Flat head screw(12pcs)</p>	<p><b>R</b></p>  <p>Laminate pad(4pcs)</p>
<p><b>S</b></p>  <p><math>\phi 8 \times 30 \text{mm}</math></p> <p>Wood dowel(22pcs)</p>	<p><b>T</b></p>  <p><math>\phi 6 \times 30 \text{mm}</math></p> <p>Wood dowel(4pcs)</p>	<p><b>U</b></p>  <p>4mm</p> <p>Allen key(1pc)</p>
<p><b>V</b></p>  <p>Anti fall hardware(1set)</p>		

# STEP: 1

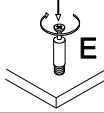


**E**

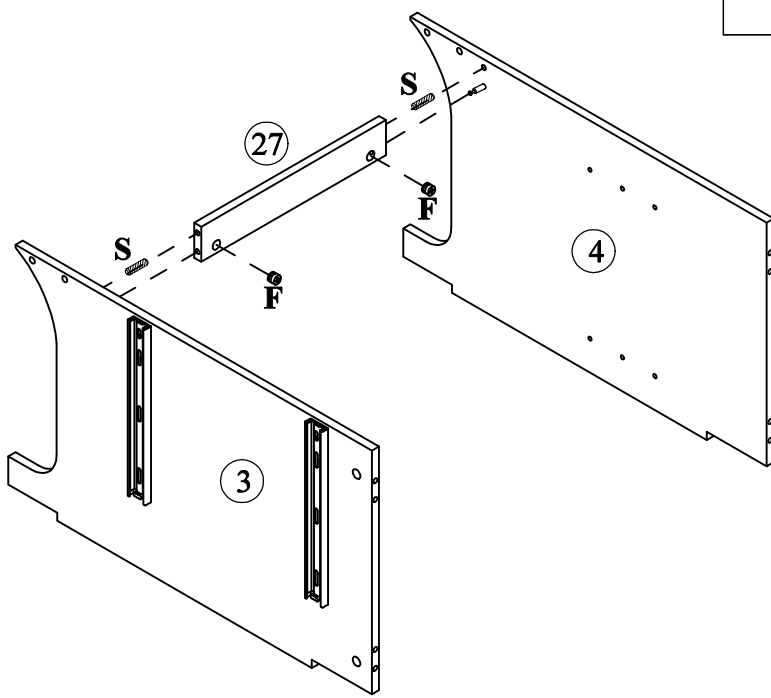


**10PCS**

Do Not Over Tighten



# STEP: 2

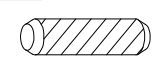


**F**



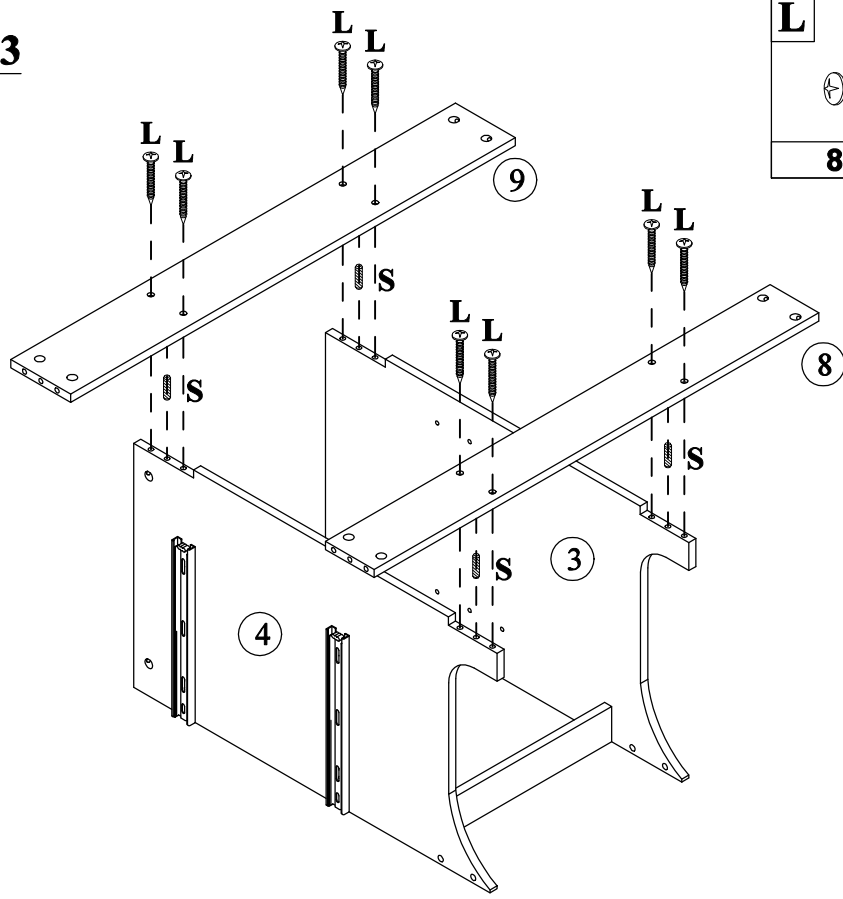
**2PCS**


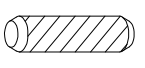
**S**



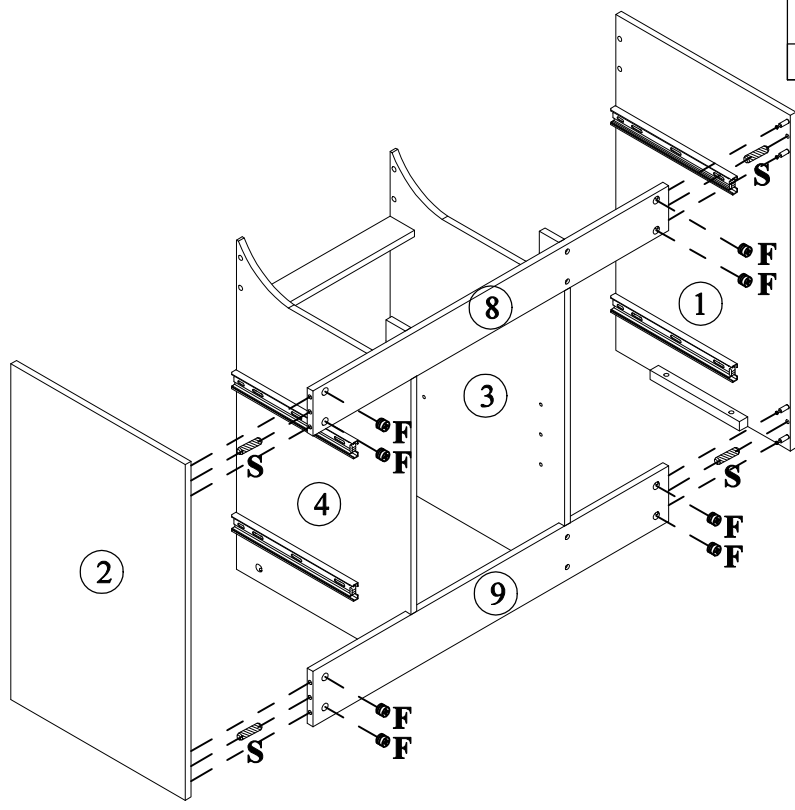
**2PCS**


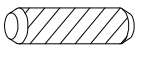
**STEP: 3**





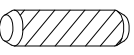
<b>L</b>	<b>S</b>
	
<b>8PCS</b>	<b>4PCS</b>

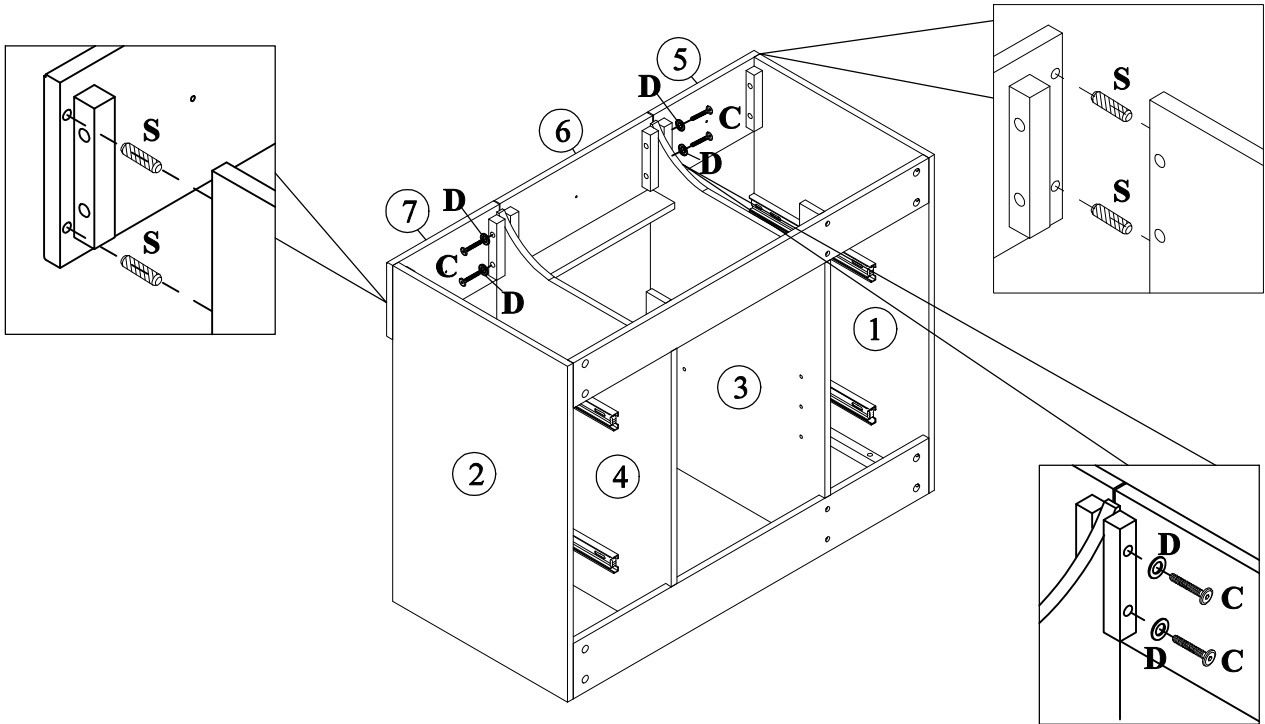
**STEP: 4**



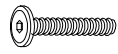

<b>F</b>	<b>S</b>
	
<b>8PCS</b>	<b>4PCS</b>

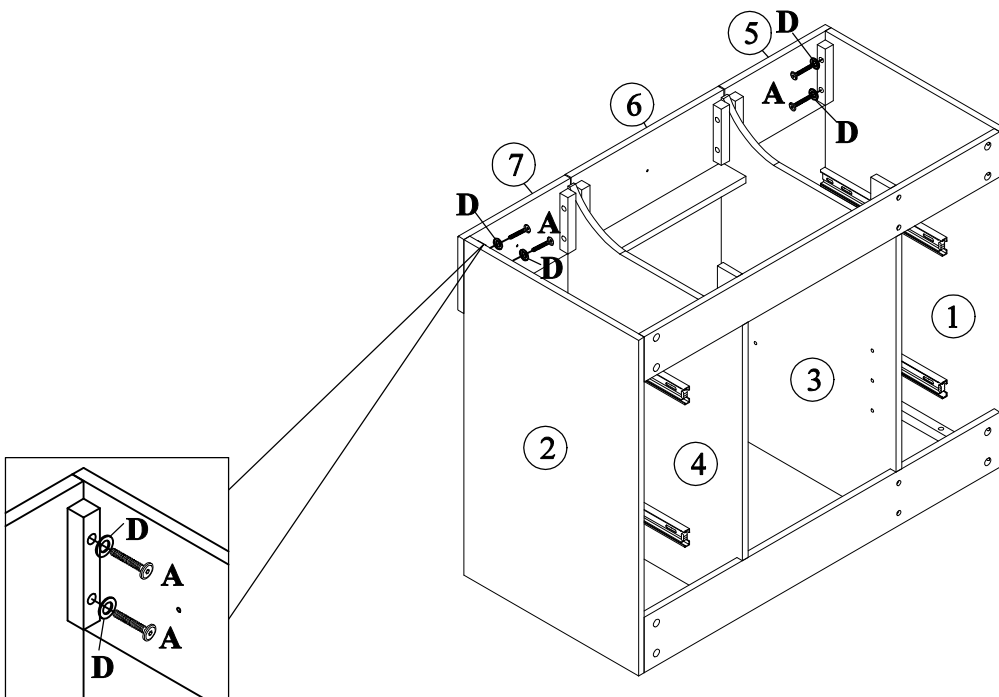
**STEP: 5**

<b>C</b> 	<b>D</b> 	<b>S</b> 
<b>4PCS</b>	<b>4PCS</b>	<b>4PCS</b>



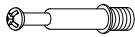


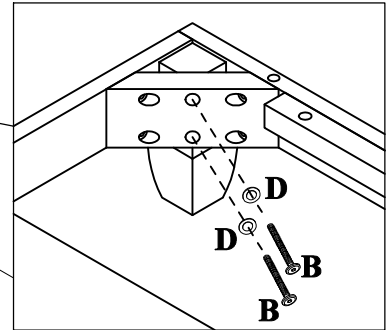
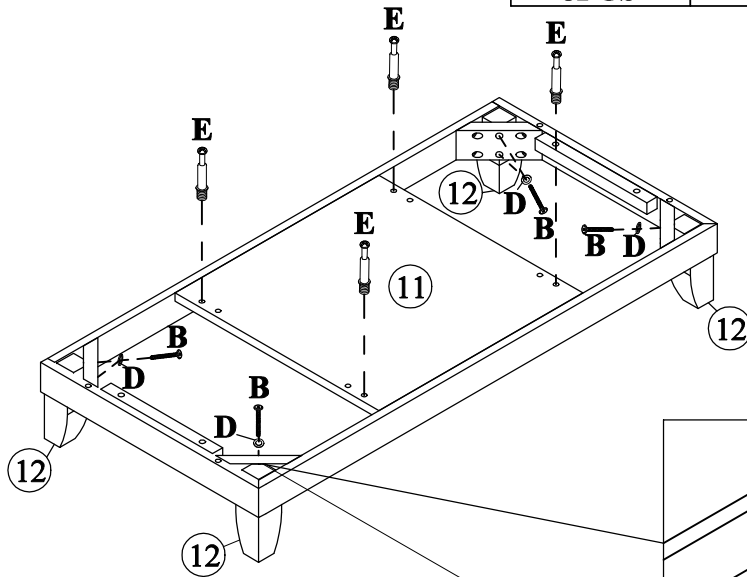
**STEP: 6**

<b>A</b> 	<b>D</b> 
<b>4PCS</b>	<b>4PCS</b>

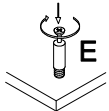


# STEP: 7



<b>B</b>	<b>D</b>	<b>E</b>
		
<b>8PCS</b>	<b>8PCS</b>	<b>4PCS</b>

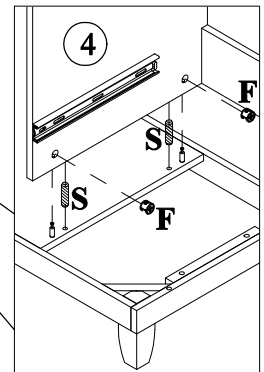
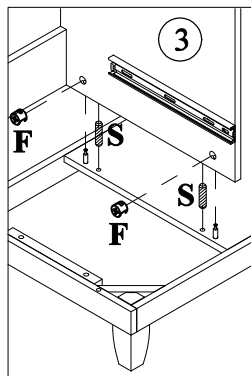
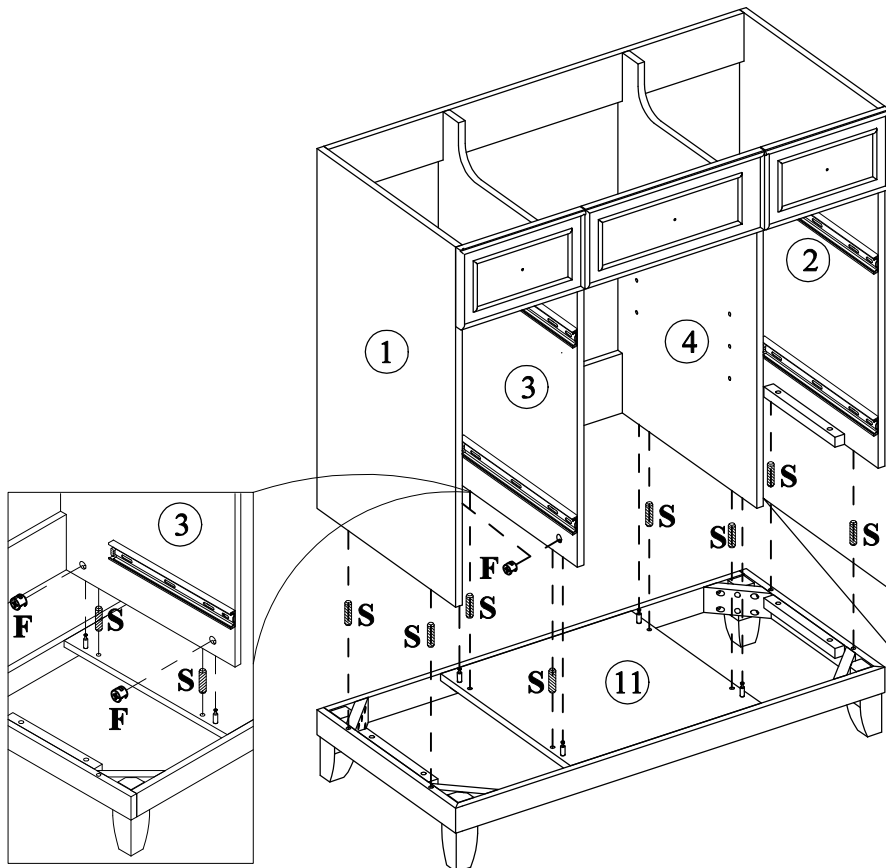


Do Not Over Tighten


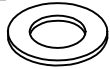


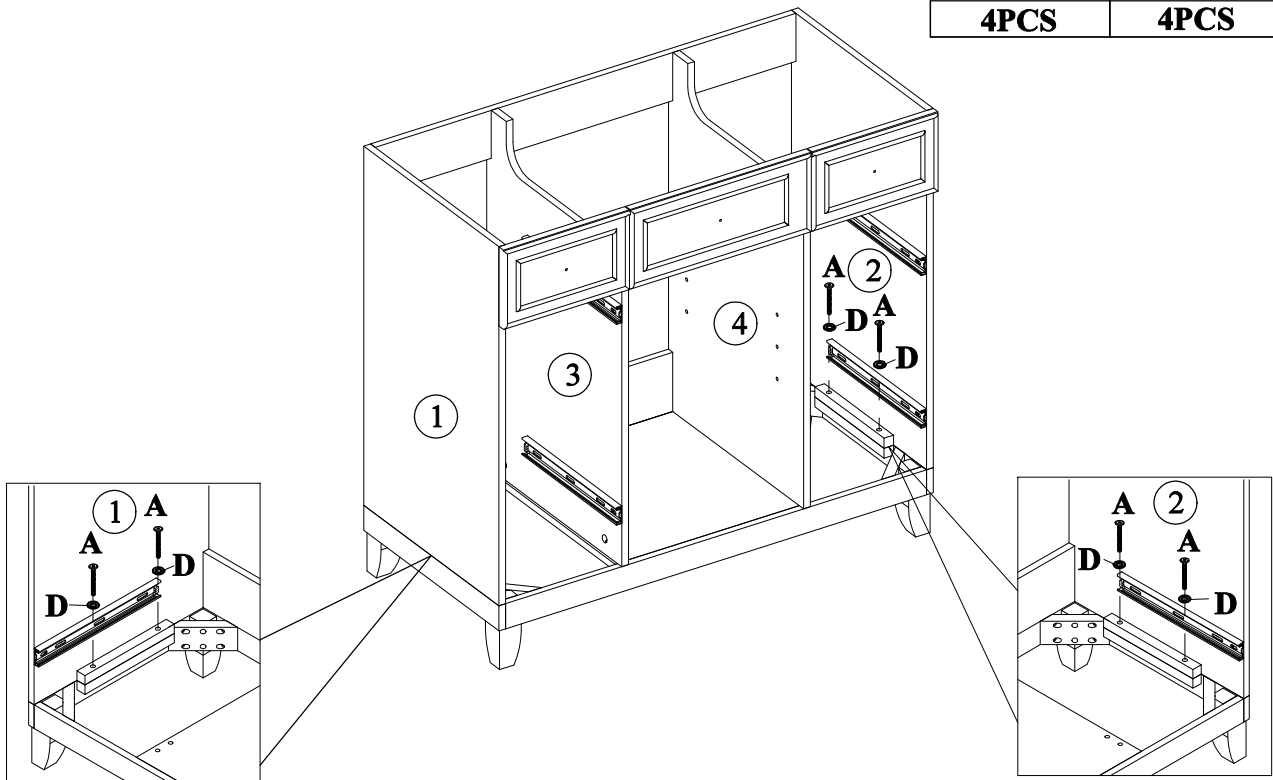
# STEP: 8

<b>F</b>	<b>S</b>
	
<b>4PCS</b>	<b>8PCS</b>


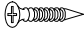


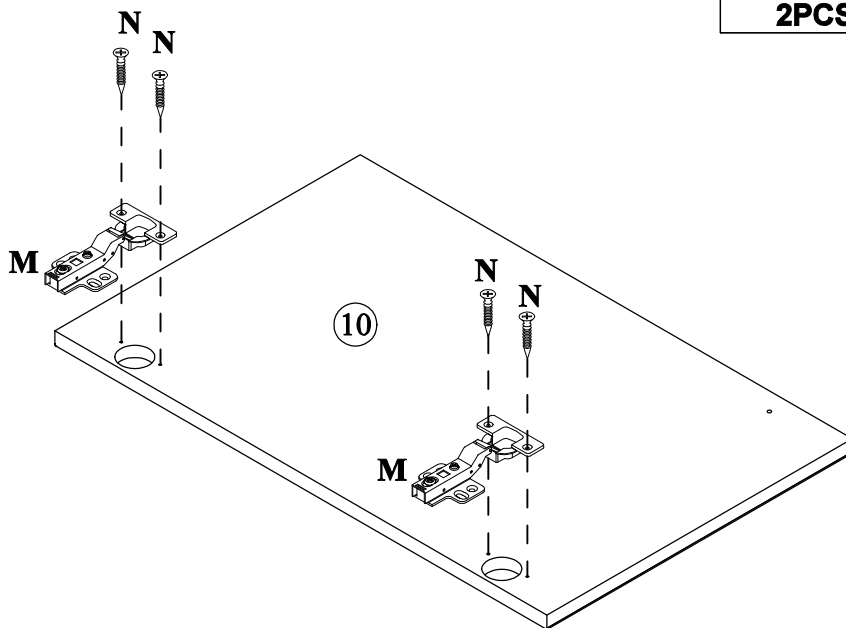
# STEP: 9

<b>A</b>	<b>D</b>
	
<b>4PCS</b>	<b>4PCS</b>


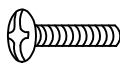



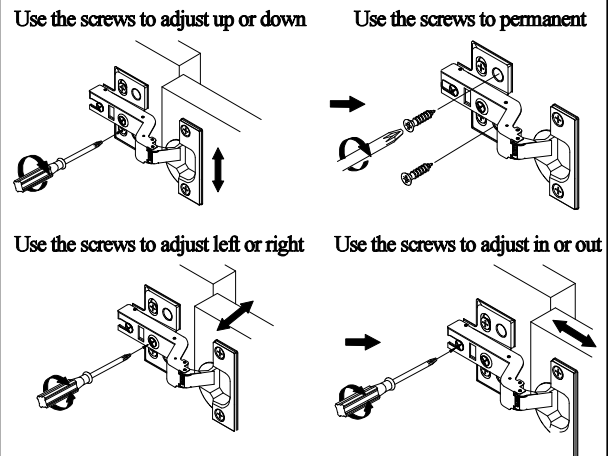
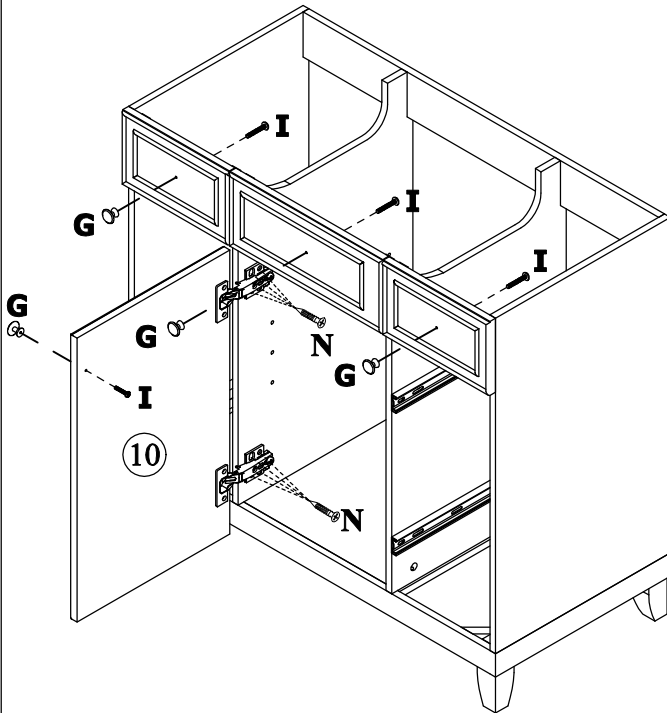
# STEP: 10

<b>M</b>	<b>N</b>
	
<b>2PCS</b>	<b>4PCS</b>

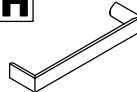
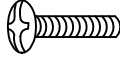
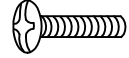


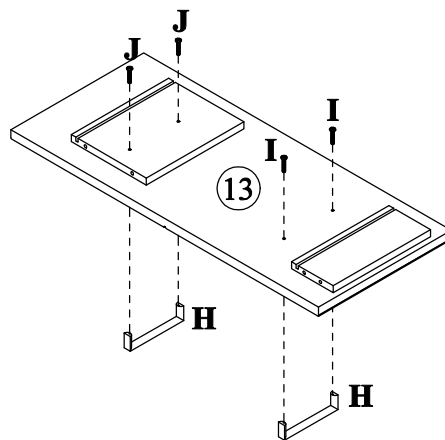
# STEP: 11

<b>G</b>	<b>I</b>	<b>N</b>
		
<b>4PCS</b>	<b>4PCS</b>	<b>8PCS</b>



# STEP: 12

<b>H</b>	<b>I</b>	<b>J</b>
		
<b>2PCS</b>	<b>2PCS</b>	<b>2PCS</b>

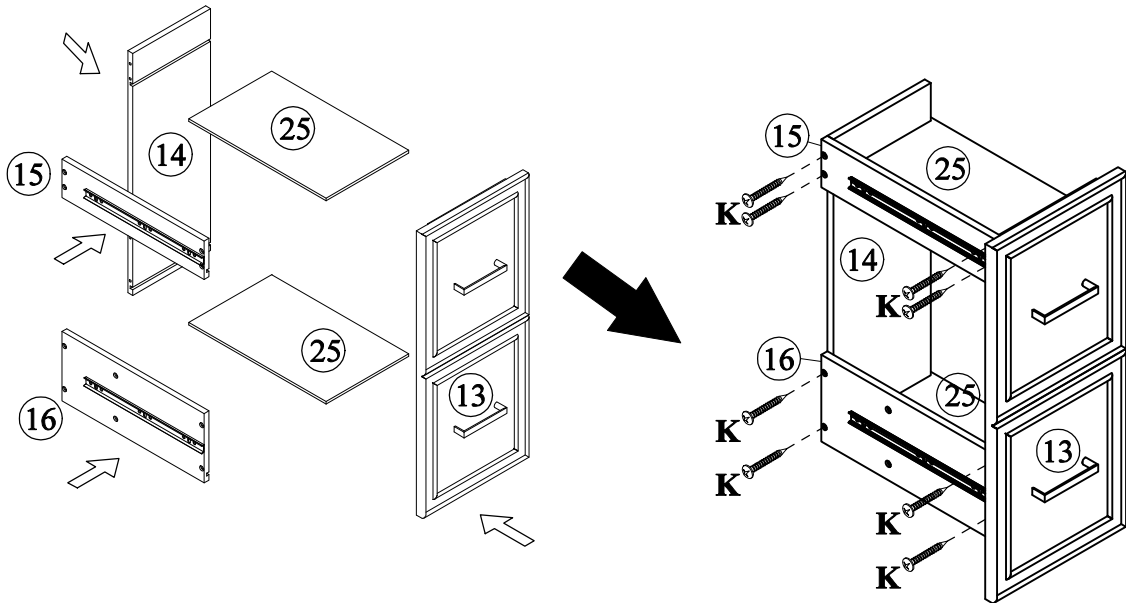


### STEP: 13

**K**



**8PCS**

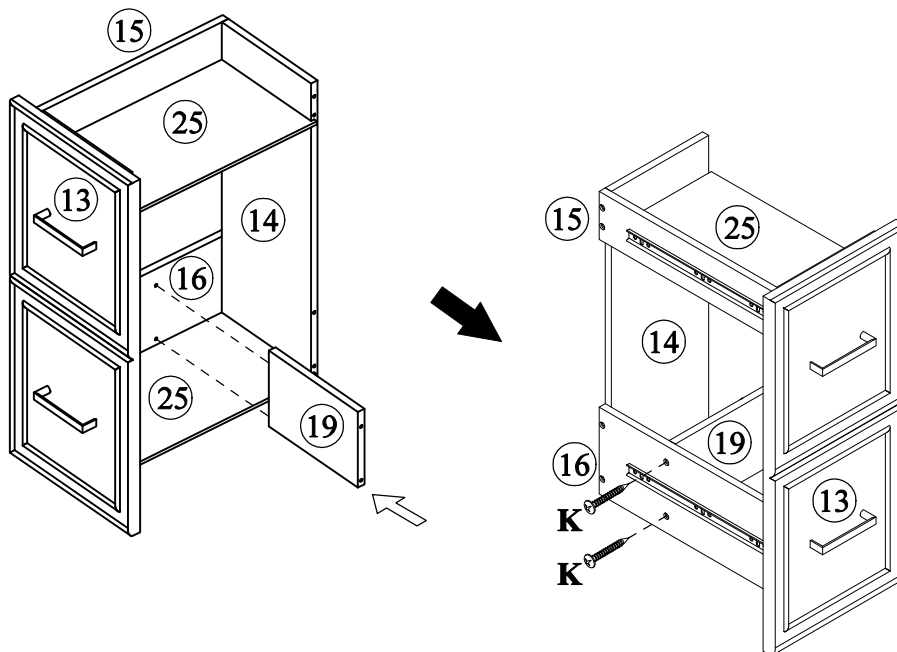


### STEP: 14



**K**

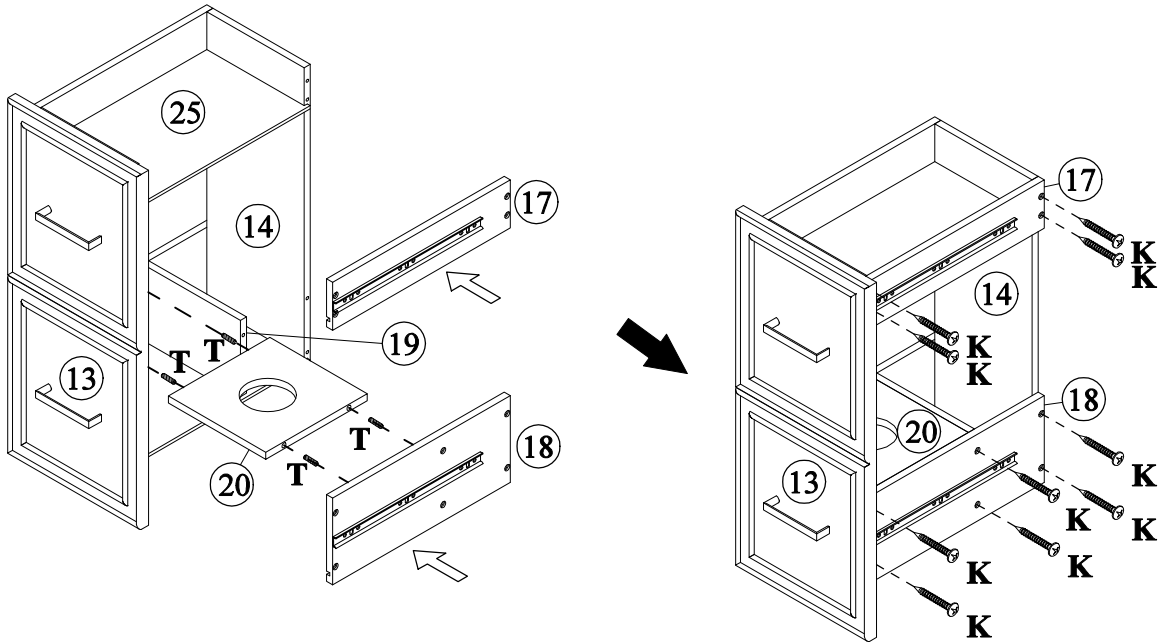


**2PCS**




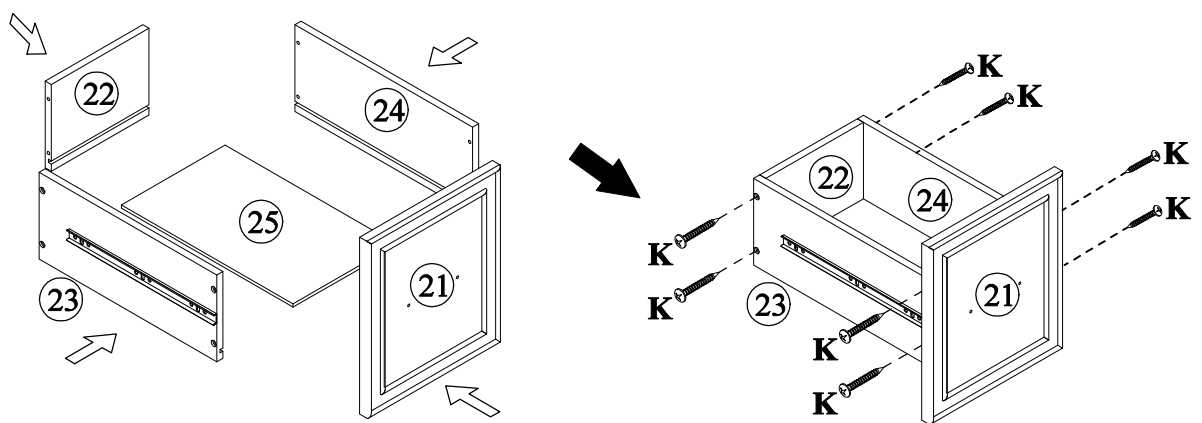
**STEP: 15**

<b>K</b>	<b>T</b>
	
<b>10PCS</b>	<b>4PCS</b>



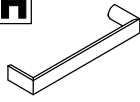
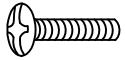
**STEP: 16**

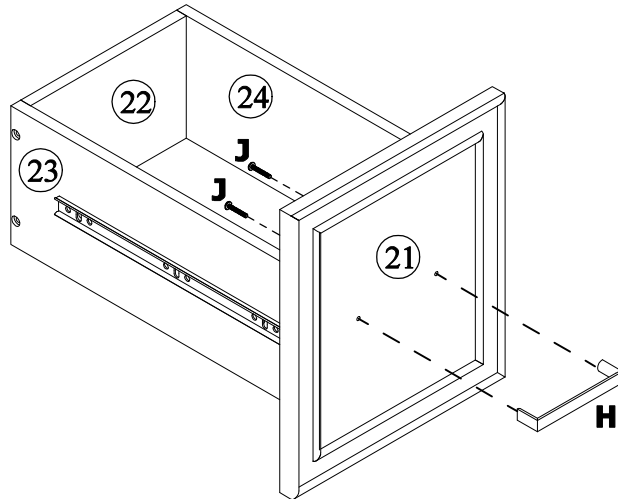
<b>K</b>

<b>16PCS</b>



**X2**

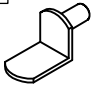
**STEP: 17**

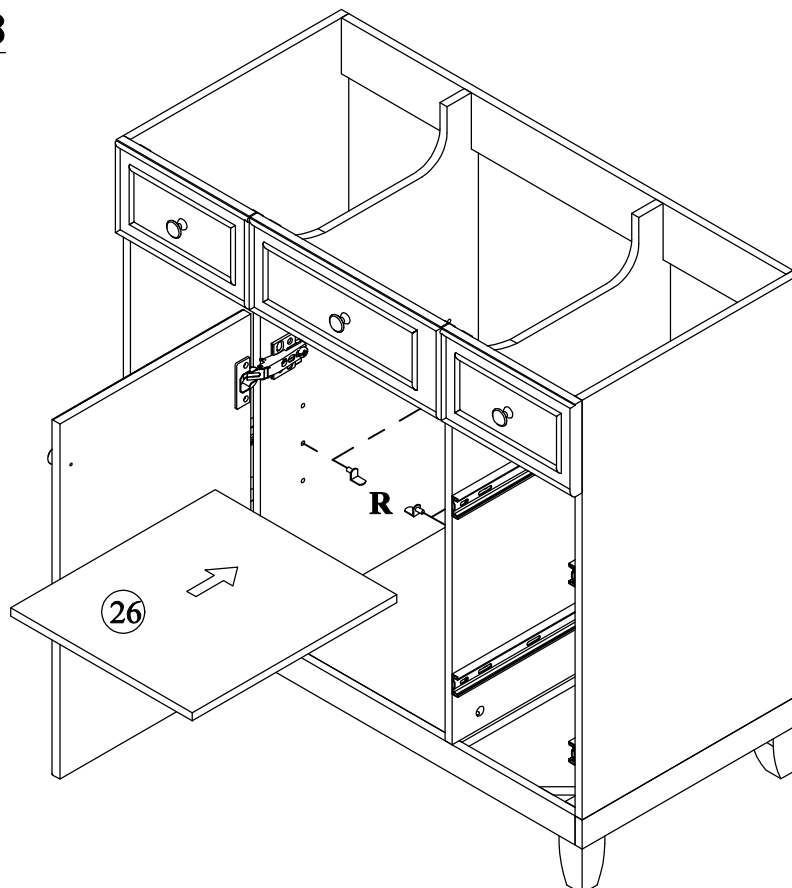
<b>H</b> 	<b>J</b> 
<b>2PCS</b>	<b>4PCS</b>



**X2**

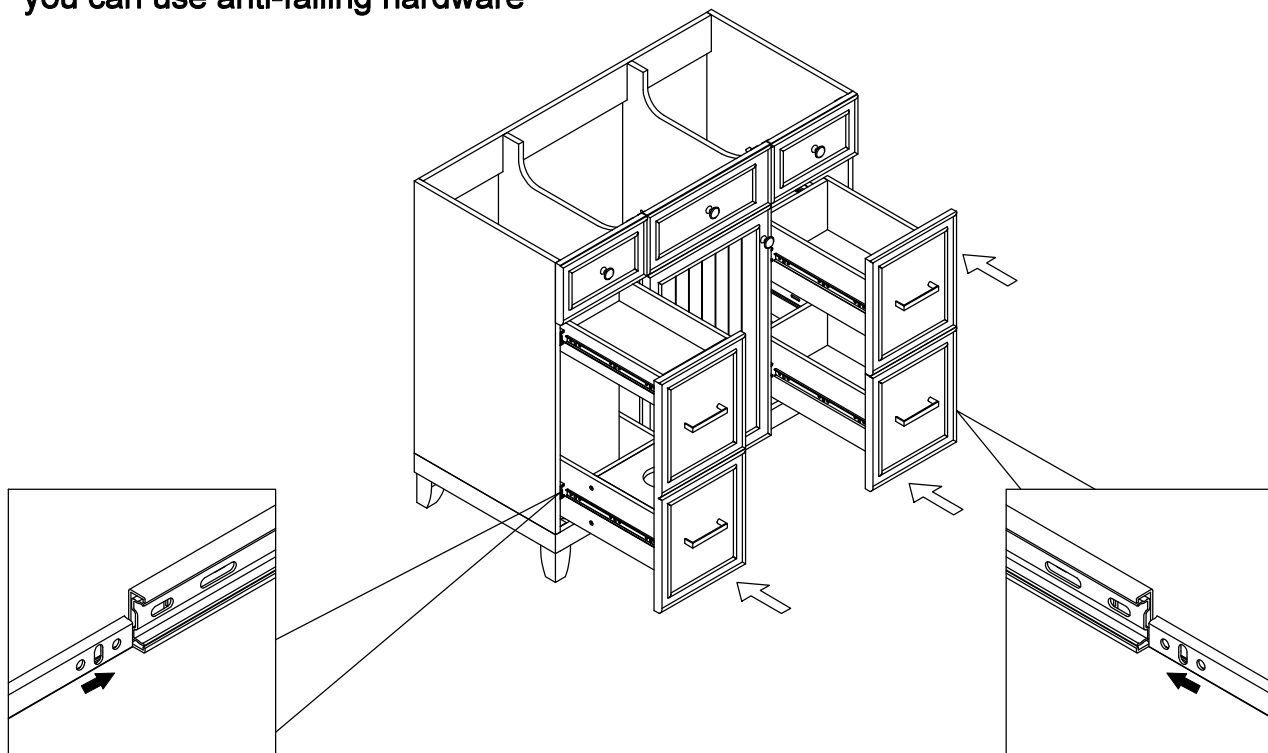
**STEP: 18**

<b>R</b> 
<b>4PCS</b>



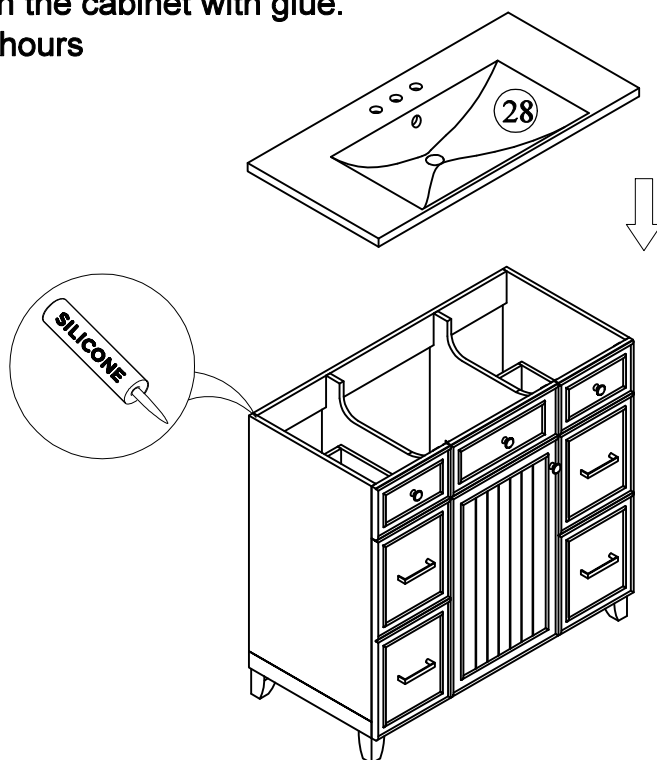
## **STEP: 19**

The structure of the cabinet is quite stable, if you are not sure, you can use anti-falling hardware



## **STEP: 20**

Install the sink on the cabinet with glue.  
Let stand for 24 hours



**STEP: 21**

