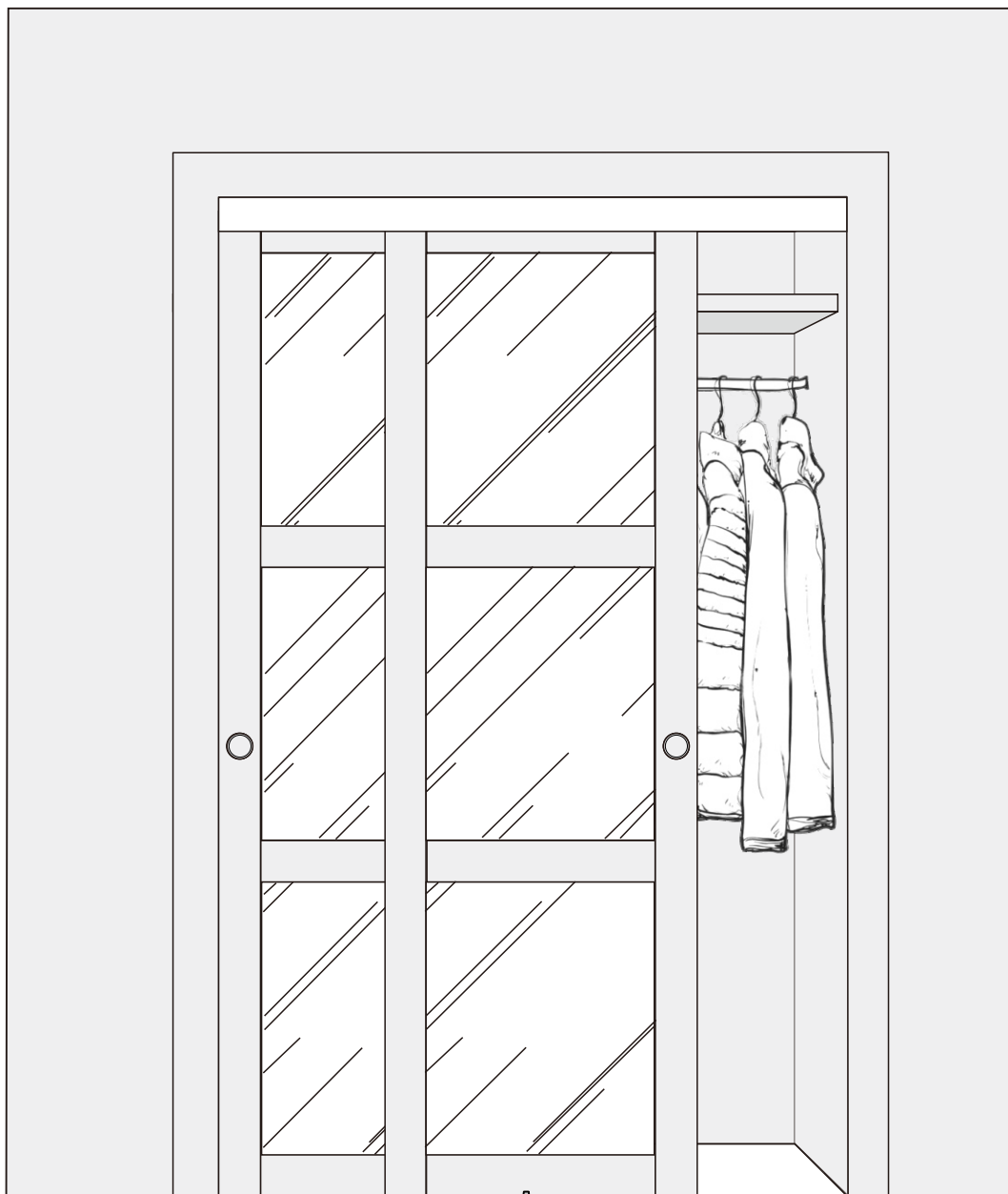


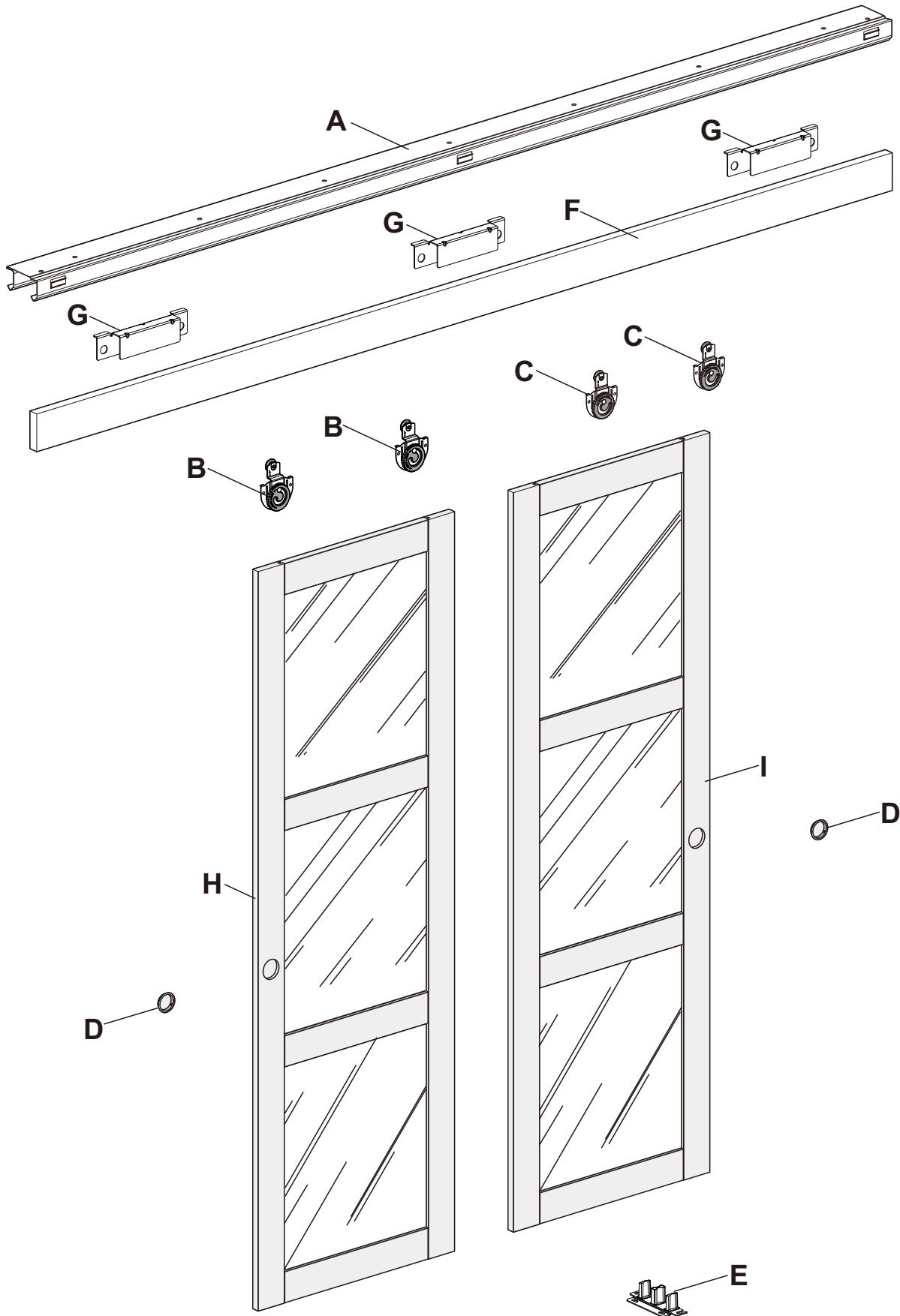
Installation Manual

Please note we are always ready to support you. Don't hesitate to contact us when you have any questions, we will try our best to resolve your issue ASAP.

(yoursupport@163.com)

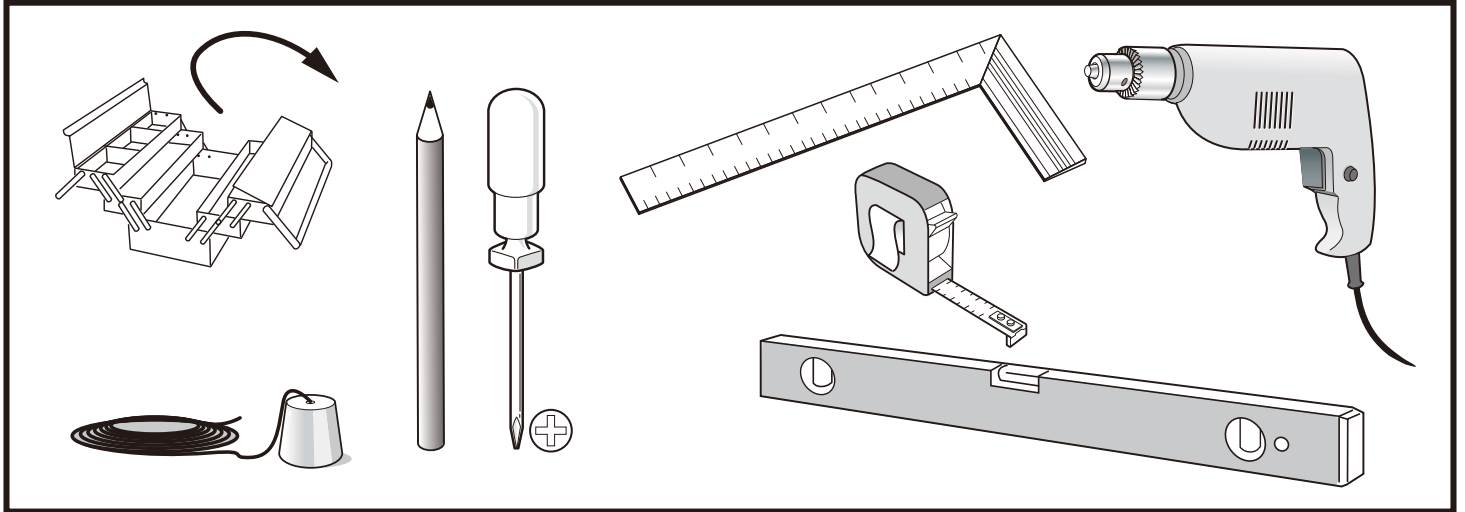


Components list

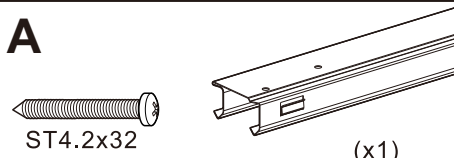
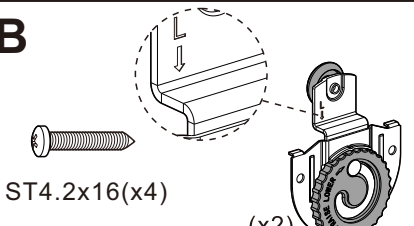
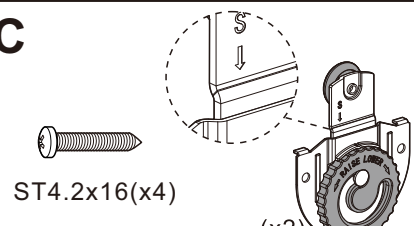
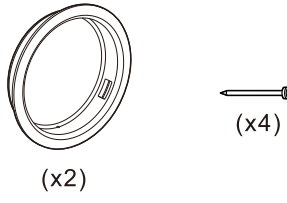
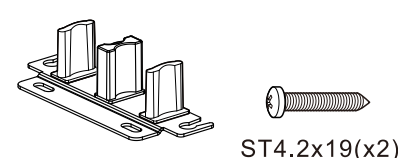
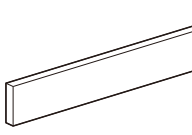
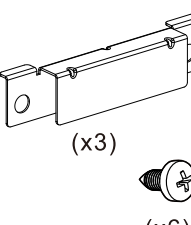




Pre-installation

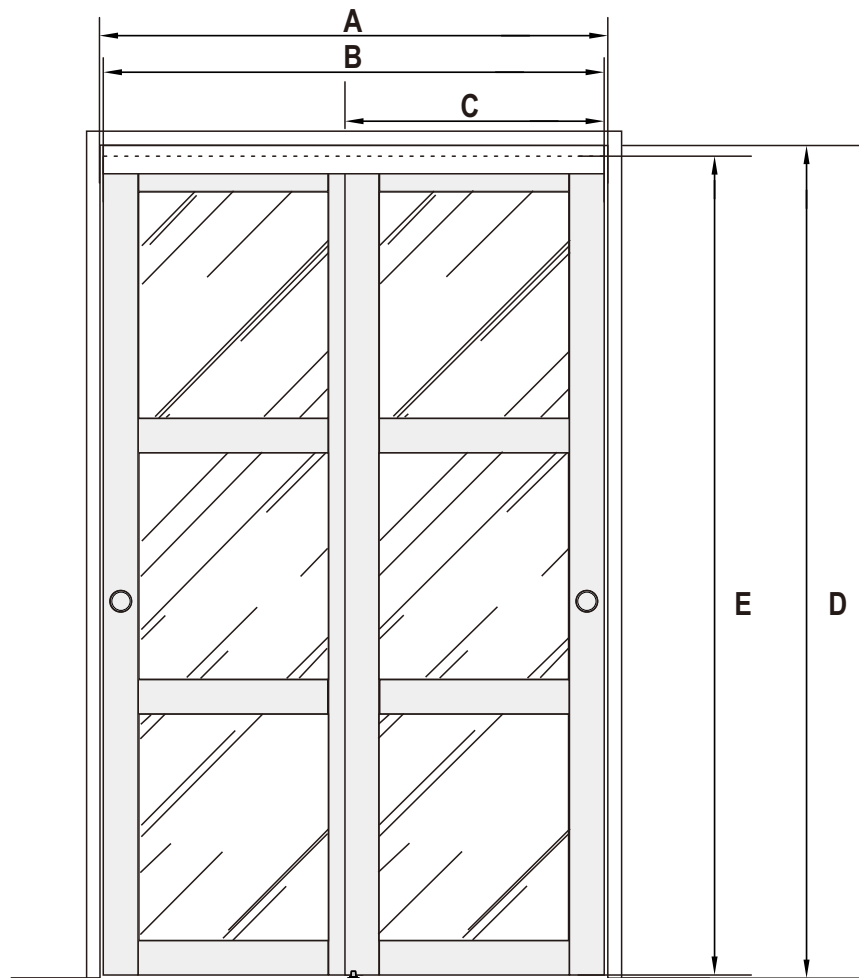
TOOLS REQUIRED



HARDWARE INCLUDED

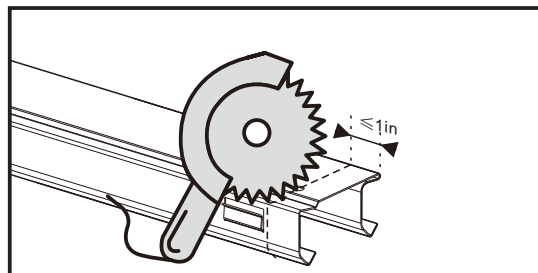
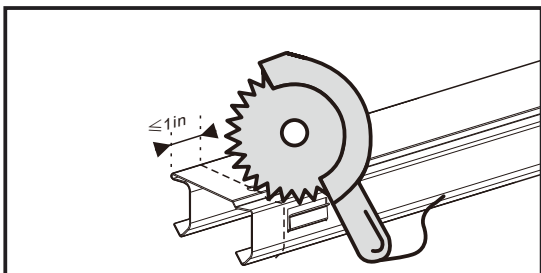
| <p>A</p>  <p>ST4.2x32 (x1)</p> <table border="1" data-bbox="167 1422 510 1702"> <thead> <tr> <th>Screw Quantity</th> <th>Track Length</th> </tr> </thead> <tbody> <tr> <td>(x9)</td> <td>48in</td> </tr> <tr> <td>(x10)</td> <td>56in</td> </tr> <tr> <td>(x11)</td> <td>60in</td> </tr> <tr> <td>(x11)</td> <td>64in</td> </tr> </tbody> </table> | Screw Quantity | Track Length | (x9) | 48in | (x10) | 56in | (x11) | 60in | (x11) | 64in | <p>B</p>  <p>ST4.2x16(x4) (x2)</p> | <p>C</p>  <p>ST4.2x16(x4) (x2)</p> |
|----------------------------------------------------------------------------------------------------------------------------------------------------------------------------------------------------------------------------------------------------------------------------------------------------------------------------------------------------------------------------------------------------------------------------------------------|----------------------------------------------------------------------------------------------------------------------|---------------------------------------------------------------------------------------------------------------------------|-------------------------------------------------------------------------------------------------------|------|-------|------|-------|------|-------|------|-------------------------------------------------------------------------------------------------------------------------------|--------------------------------------------------------------------------------------------------------------------------------|
| Screw Quantity | Track Length | | | | | | | | | | | |
| (x9) | 48in | | | | | | | | | | | |
| (x10) | 56in | | | | | | | | | | | |
| (x11) | 60in | | | | | | | | | | | |
| (x11) | 64in | | | | | | | | | | | |
| | <p>D</p>  <p>(x2) (x4)</p> | <p>E</p>  <p>ST4.2x19(x2)</p> | | | | | | | | | | |
| <p>F</p>  <p>(x1)</p> | <p>G</p>  <p>(x3) (x6)</p> | <p>H</p>  | <p>I</p>  | | | | | | | | | |

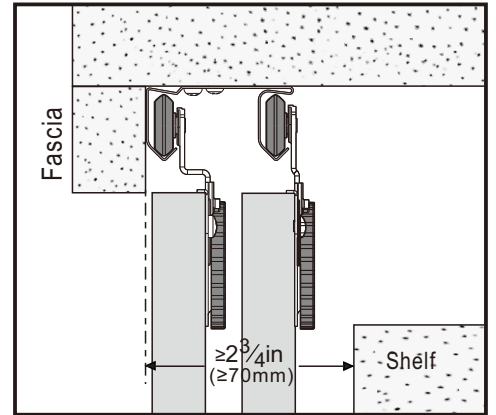
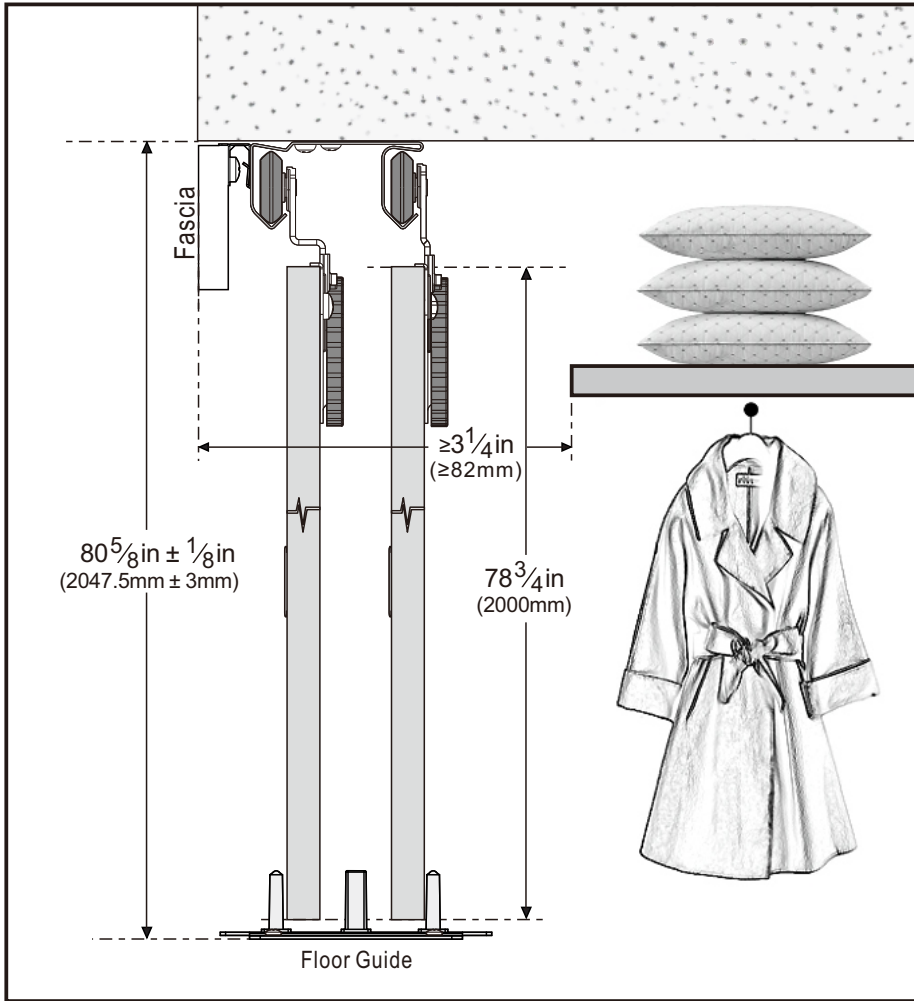
Installation



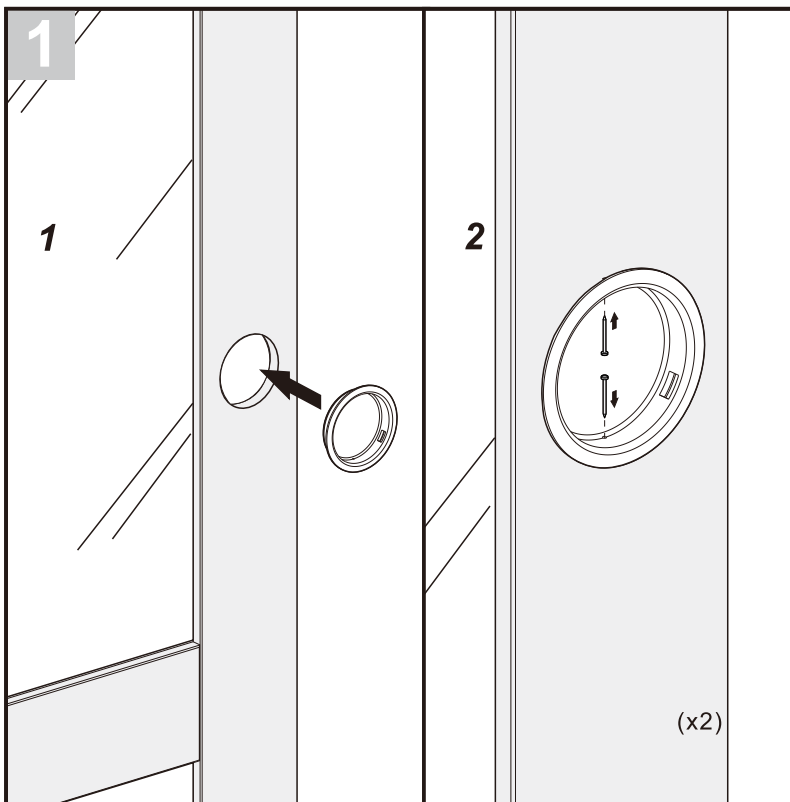
| Option Size | A | B | C | D | E |
|------------------------------------------|--------------------|------------------|-------------------------|-------------------------------------------|-----------------------------------|
| | Door Opening Width | Door Panel Width | Single Door Panel Width | Door Opening Height | Door Panel Height |
| 48in * 78 ³ / ₄ in | 46in - 48in | 48in | 25in | 80 ⁵ / ₈ in ± 1/8in | 78 ³ / ₄ in |
| 56in * 78 ³ / ₄ in | 54in - 56in | 56in | 29in | 80 ⁵ / ₈ in ± 1/8in | 78 ³ / ₄ in |
| 60in * 78 ³ / ₄ in | 58in - 60in | 60in | 31in | 80 ⁵ / ₈ in ± 1/8in | 78 ³ / ₄ in |
| 64in * 78 ³ / ₄ in | 62in - 64in | 64in | 33in | 80 ⁵ / ₈ in ± 1/8in | 78 ³ / ₄ in |

⚠ If the track is too long, you can cut it short.



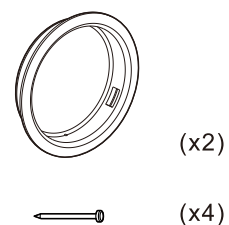


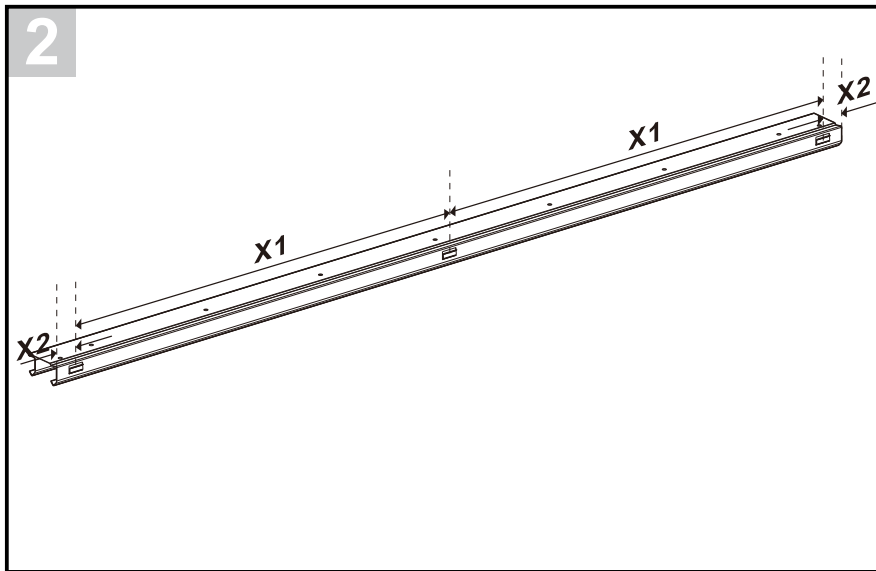
If there is a fascia in the wardrobe, the track can be installed directly next to the existing fascia. The subsequent fascia installation steps (steps 2 to 5) can be skipped.



INSTALLATION OF DOOR PULLS

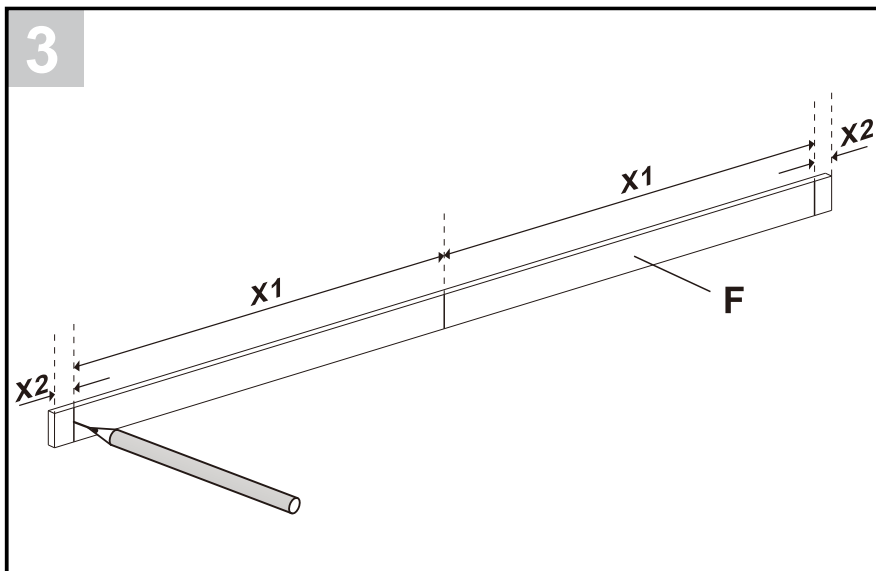
Insert door pull into each hole and secure with supplied nails.





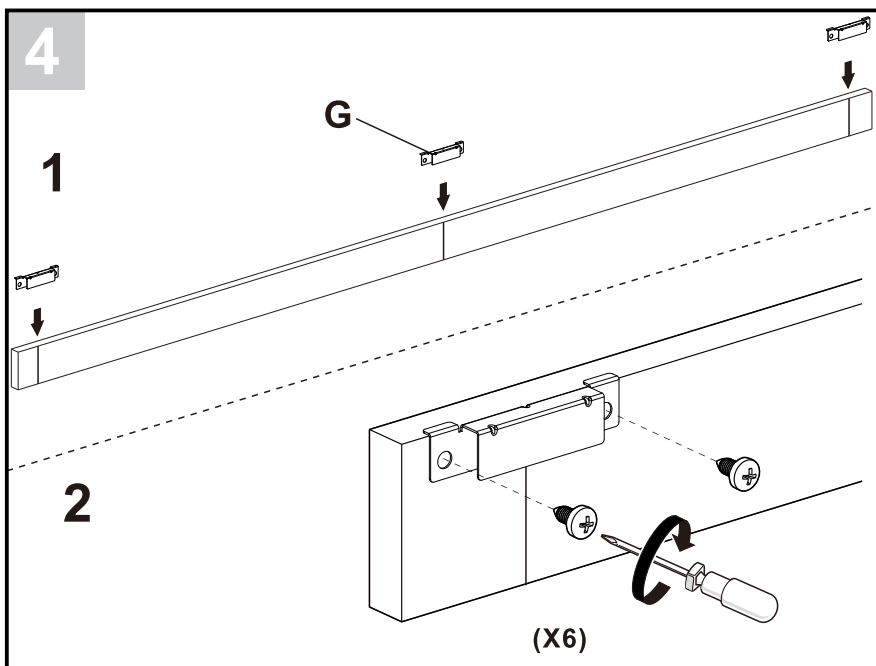
INSTALL FASCIA

Measure distance X1 between side clasp and center clasp on the track.
Measure distance X2 from track edge and side clasp.



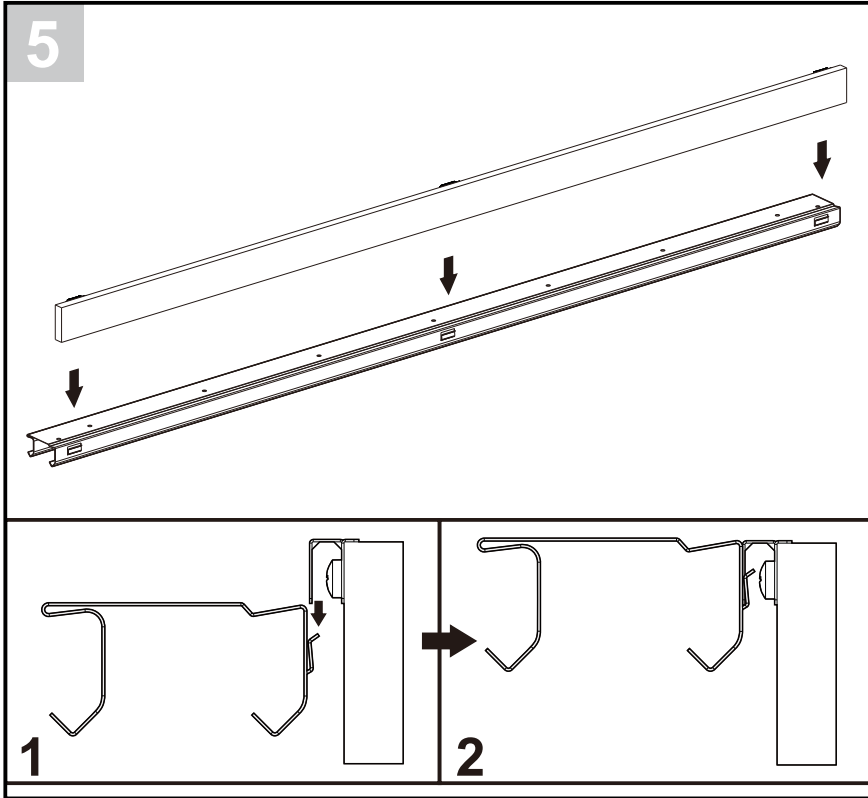
INSTALL FASCIA

Mark locations on the fascia with pencil using measured figure.



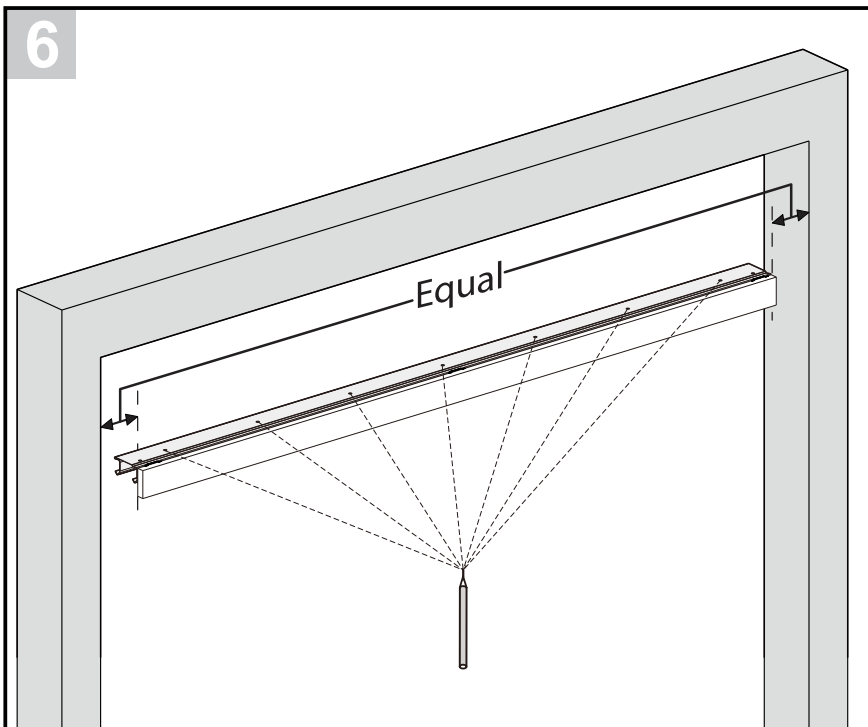
INSTALL FASCIA

Attach clasp connector to fascia use screws and at the center of the mark.



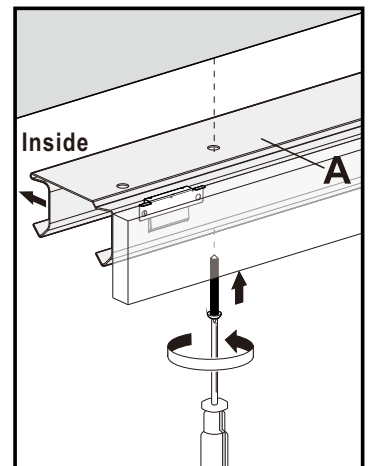
INSTALL FASCIA

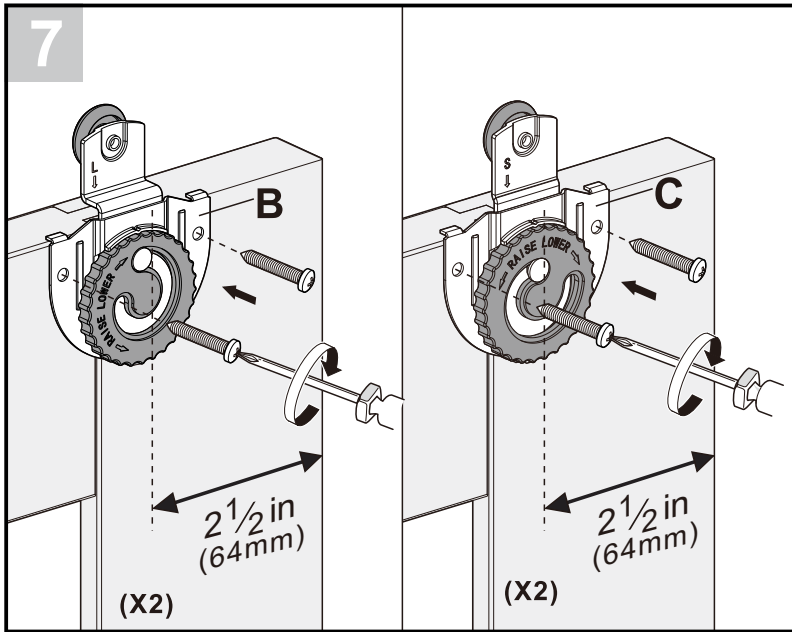
Attach fascia to the track by connecting fascia clasp connectors and track clasps.



INSTALL TRACK

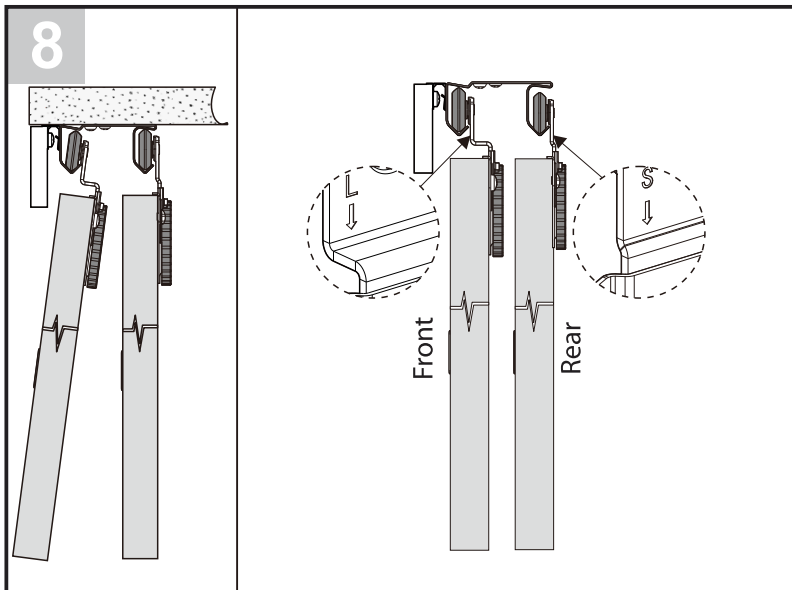
Place track on door header, centered between both door jambs. Make sure track openings are facing inside of closet. With track as template, mark location of screw holes. Drill $\frac{3}{32}$ in pilot holes to approximate screw length. Using supplied #8 x 1-1/4 in screws, securely attach track to header.





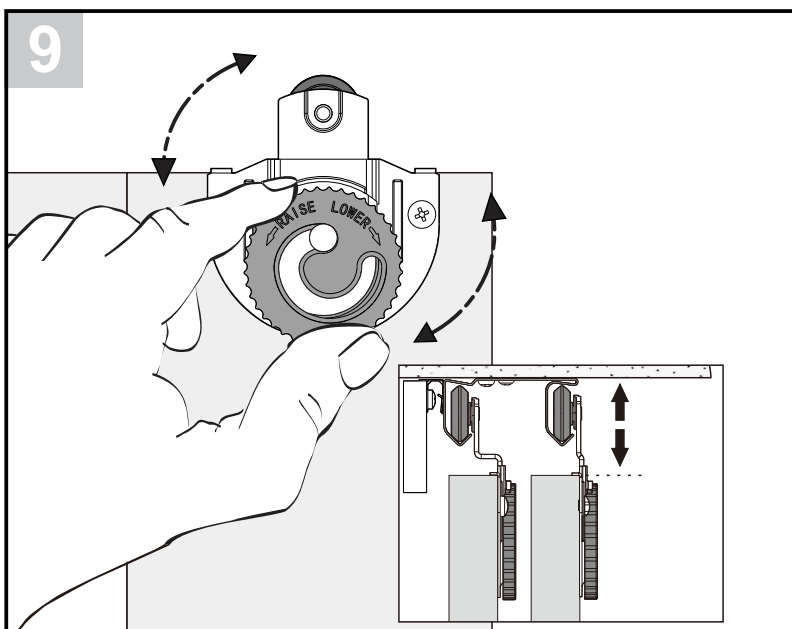
ATTACH DOOR HANGERS

Fasten hangers to top/back of door panel, using supplied #8 x 5/8 in screws. Dial adjust hangers must be 2-1/2 in from edge of door. Using hanger as template, mark screw hole locations. Drill a 3/32 in pilot hole to approximate screw length. Securely attach hangers with supplied screws.



INSTALL DOORS

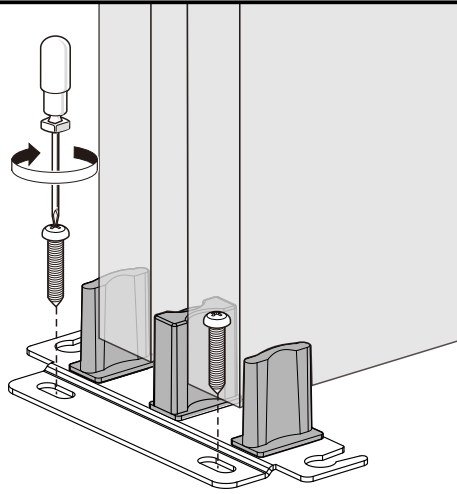
Hang doors on track. Start with inside (or rear) door first. Door must be positioned at an angle of approximately 15 degrees to engage track. Doors require the installation of panel with L hanger first.



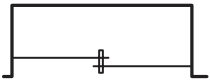
DOOR ADJUSTMENT/DIAL ADJUST

Align doors with frame by lifting one side of door, removing weight from hanger. Turn dial until doors are vertically aligned with frame. Release door so that it returns to original position.

10



2-Doors



(Default for 7/8 in (22mm) thick door)

INSTALL DOOR GUIDE

Insert nylon post section into metal plate of door guide, according to thickness of door. Position the guide beneath overlap of doors, as shown. Using supplied #8 x 5/8 in screws, securely fasten guide to floor.

NOTE:

To elevate guide, use a carpet riser as needed.