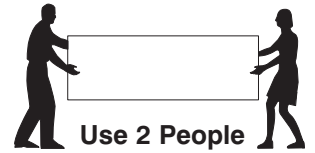
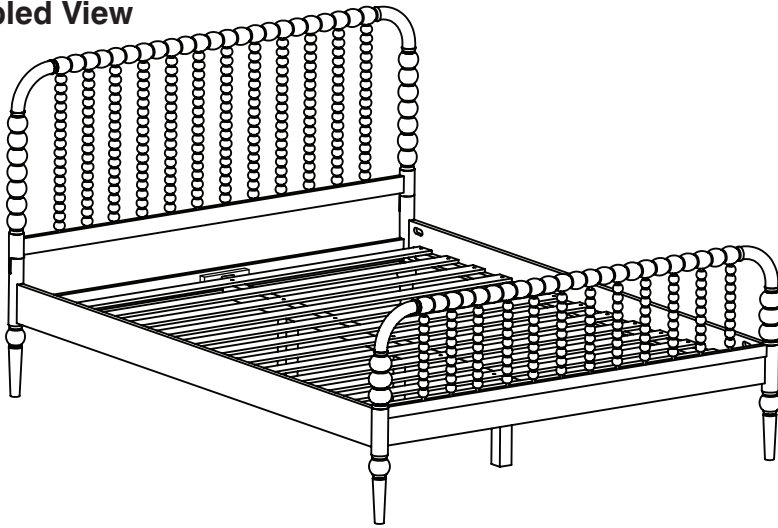


0110-4 Full Bed

Assembly Instructions

WI-0524

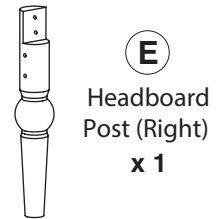
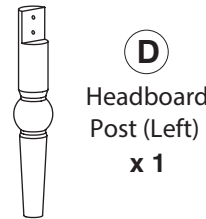
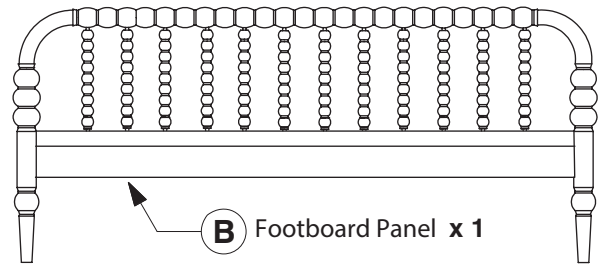
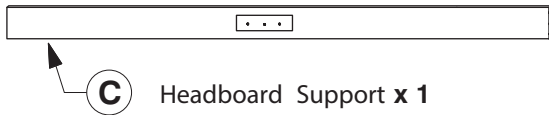
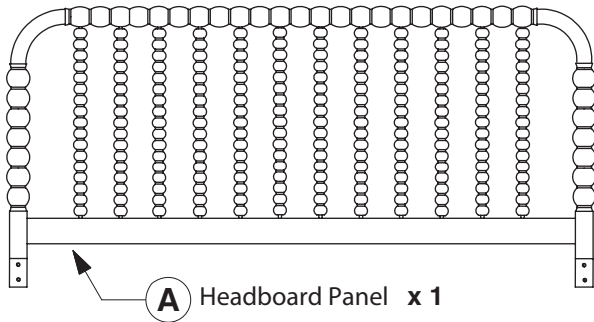
1 Assembled View



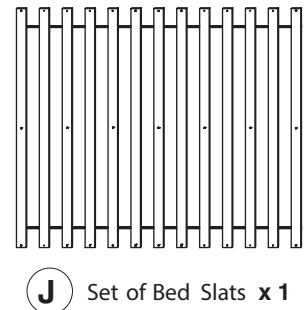
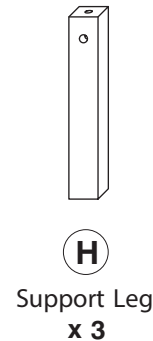
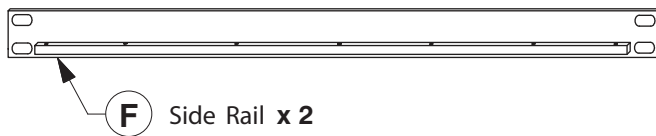
Note: Do not assemble using power tools. This can cause the bolts to be overtightened

2

Parts in Box A:



Parts in Box B:

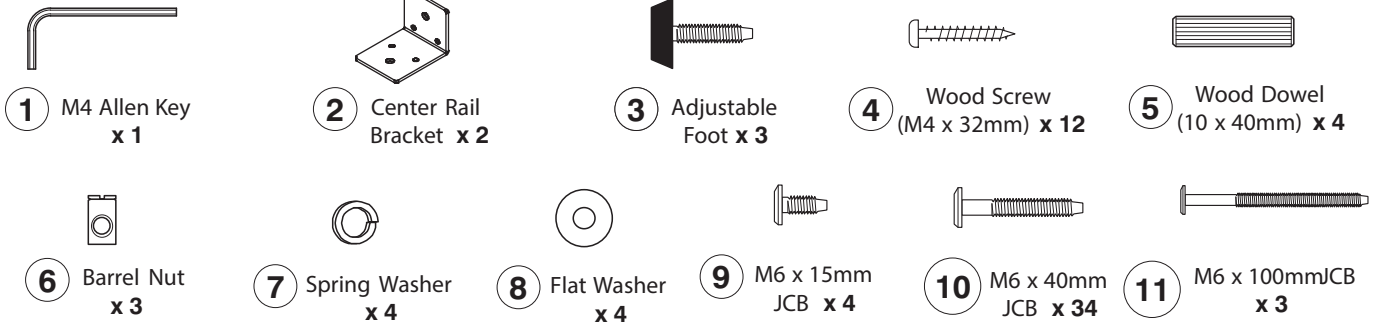


0110-4 Full Bed

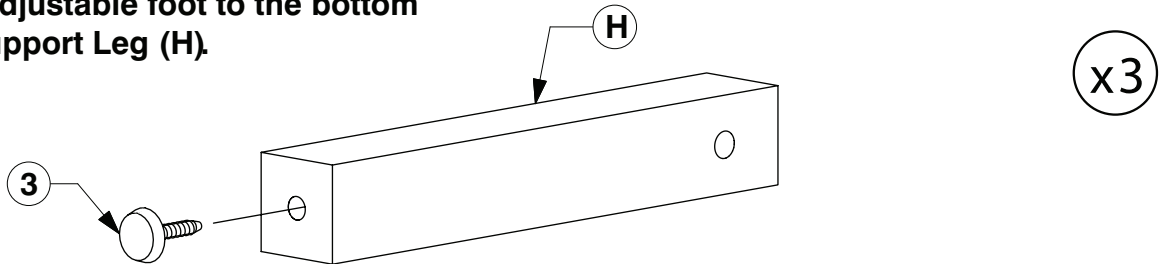
Assembly Instructions

WI-0524

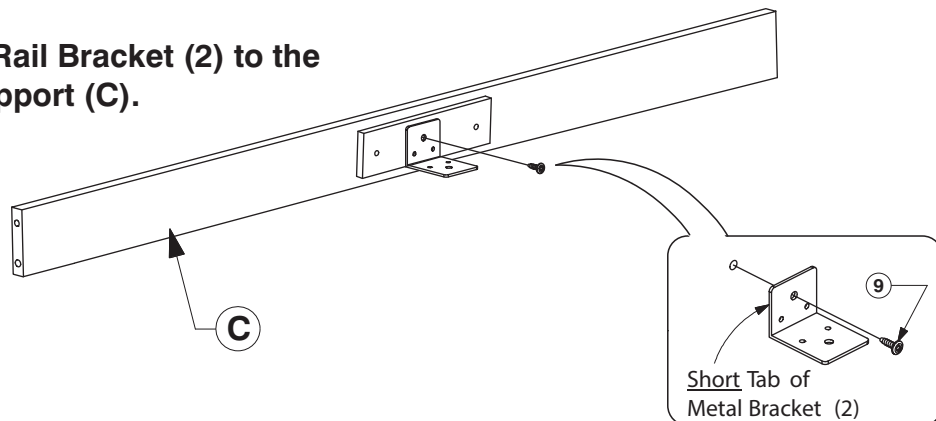
3 Hardware List



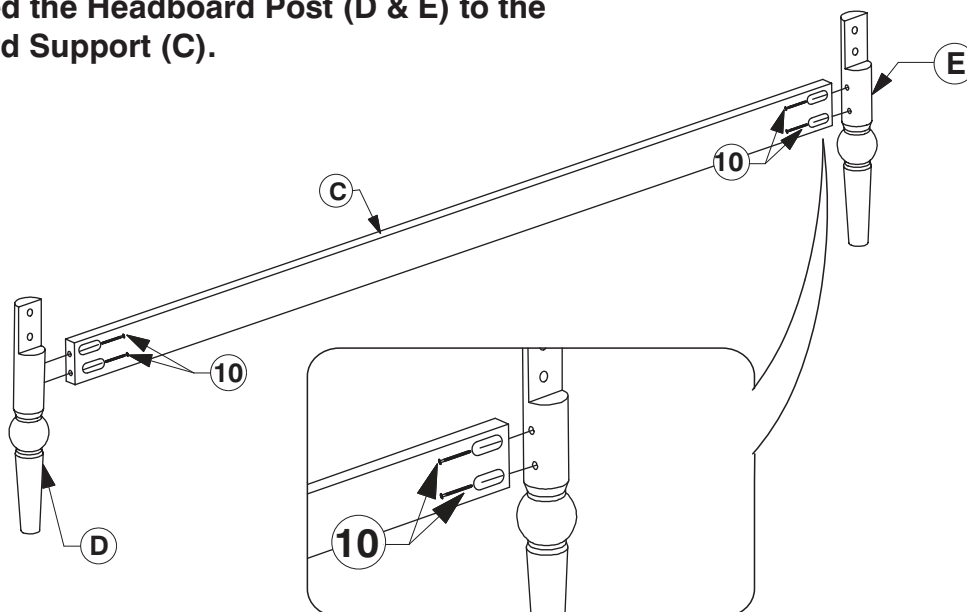
4 Fix the Adjustable foot to the bottom of the Support Leg (H).



5 Fit the Center Rail Bracket (2) to the Headboard Support (C).



6 Assembled the Headboard Post (D & E) to the Headboard Support (C).

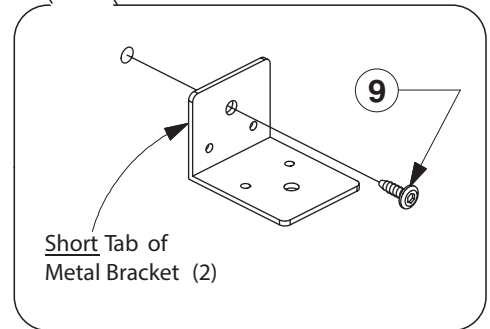
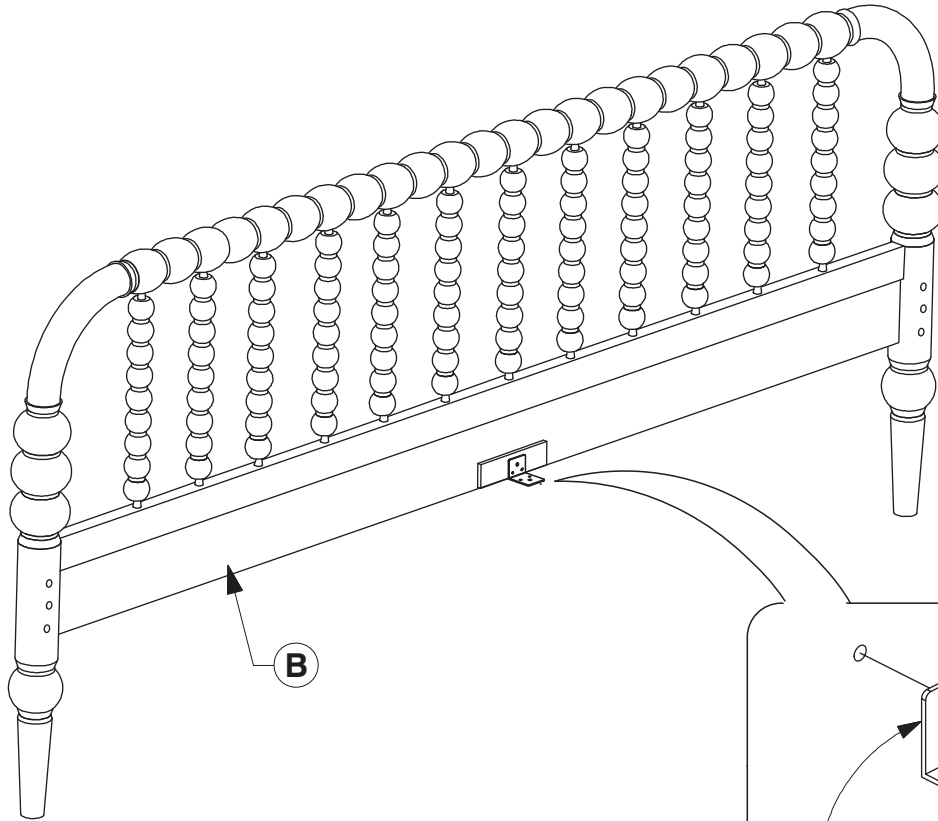


0110-4 Full Bed

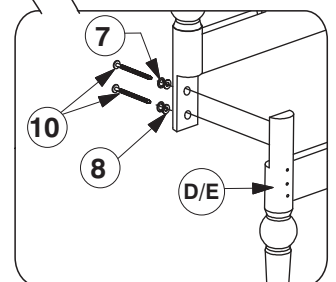
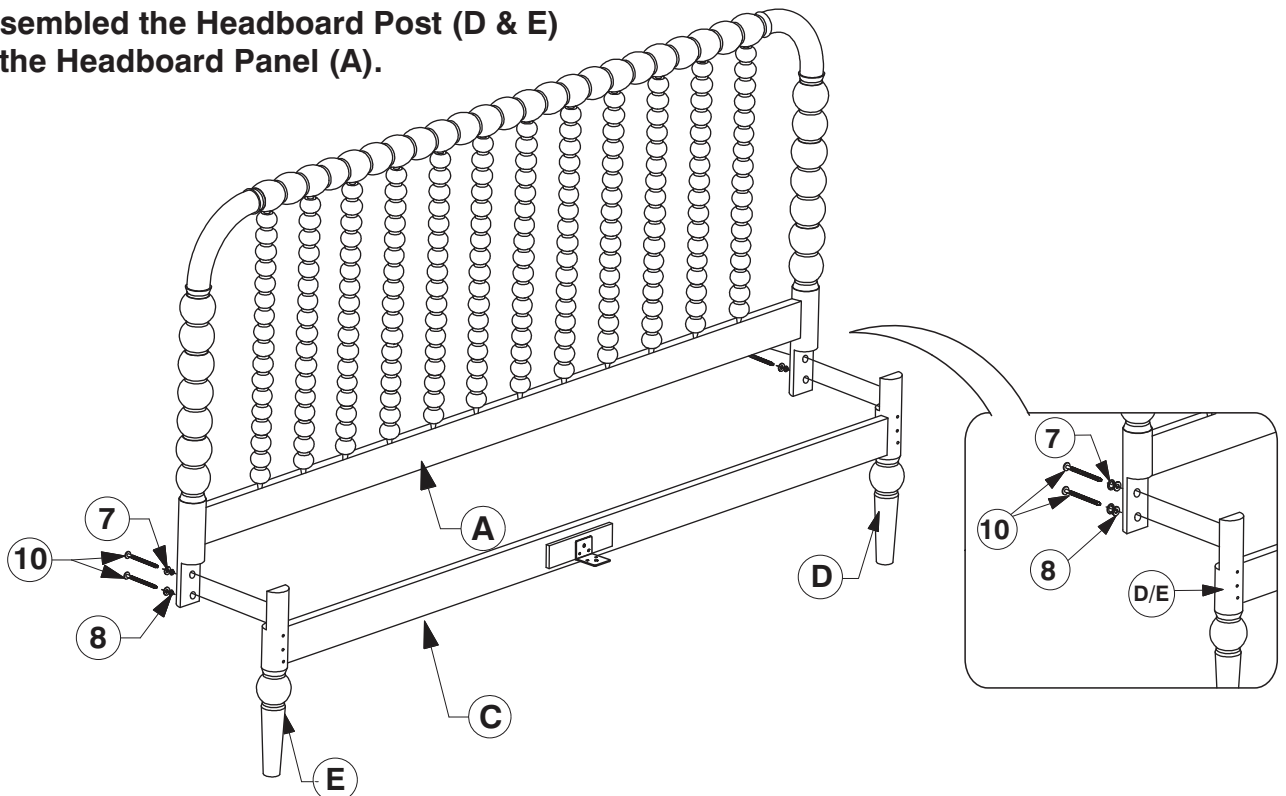
Assembly Instructions

WI-0524

7 Fit the Center Rail Bracket (2) to the Footboard Panel (B).



8 Assembled the Headboard Post (D & E) to the Headboard Panel (A).

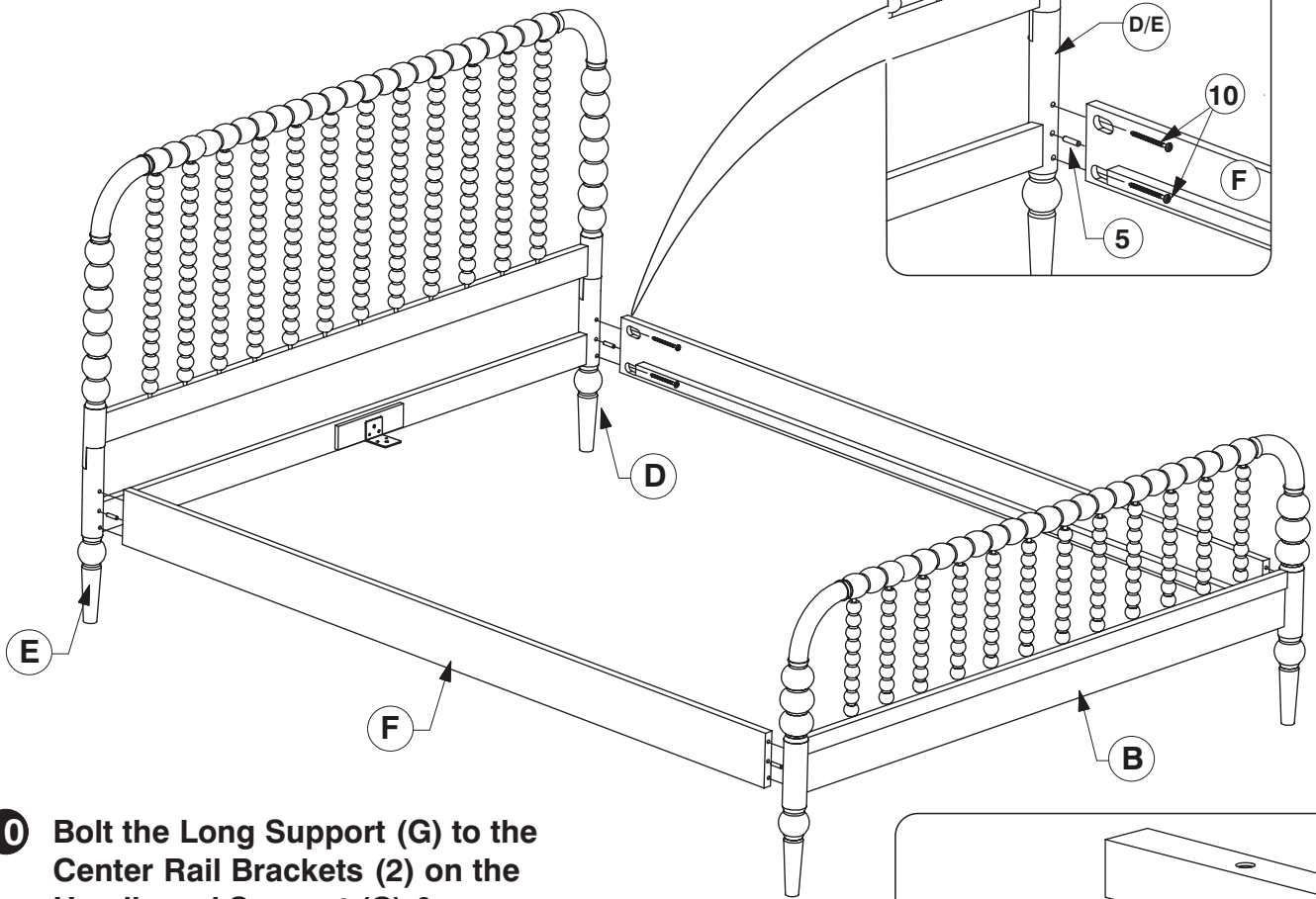


0110-4 Full Bed

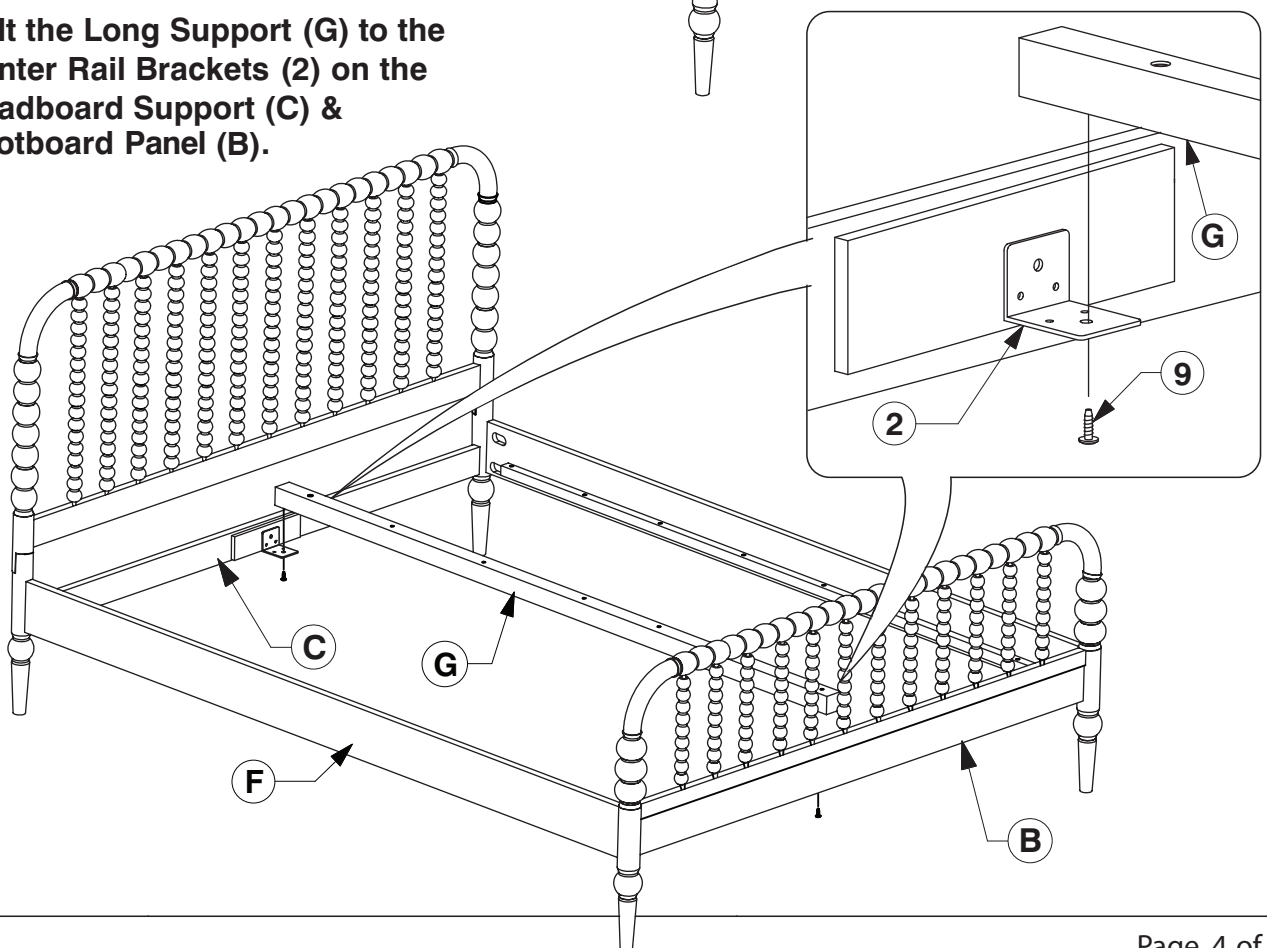
Assembly Instructions

WI-0524

- 9** Assemble the Side Rail (F) to the Headboard Post (D & E) and Footboard Panel (B).



- 10** Bolt the Long Support (G) to the Center Rail Brackets (2) on the Headboard Support (C) & Footboard Panel (B).

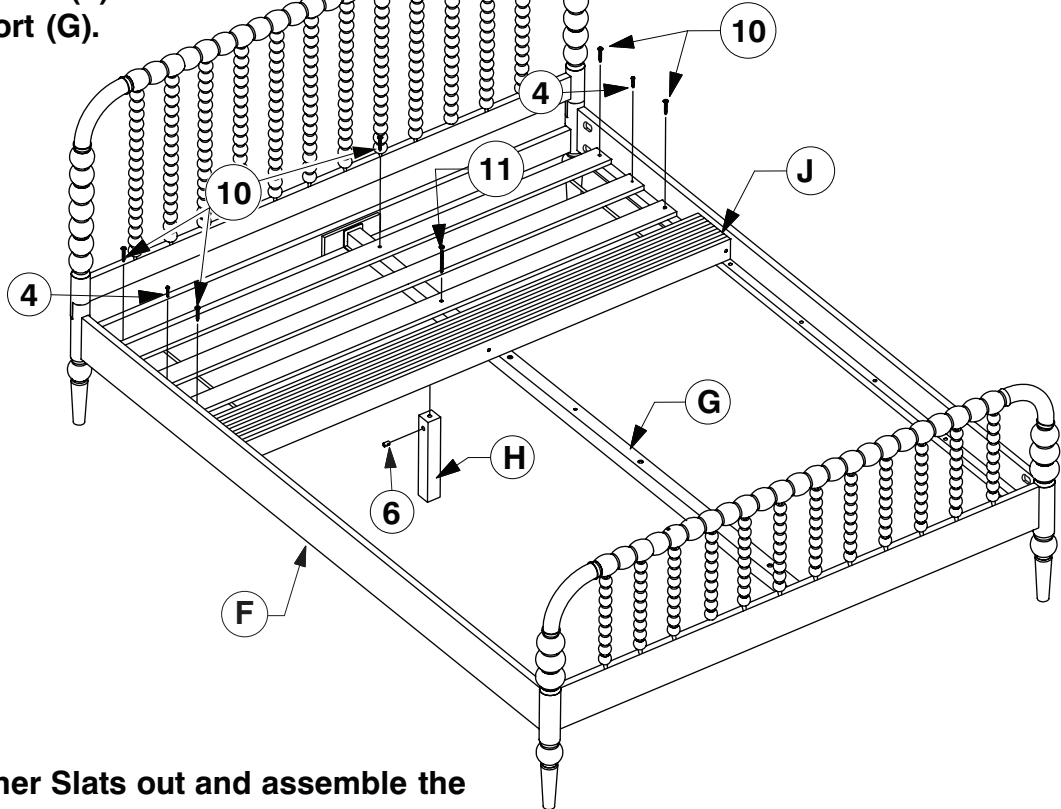


0110-4 Full Bed

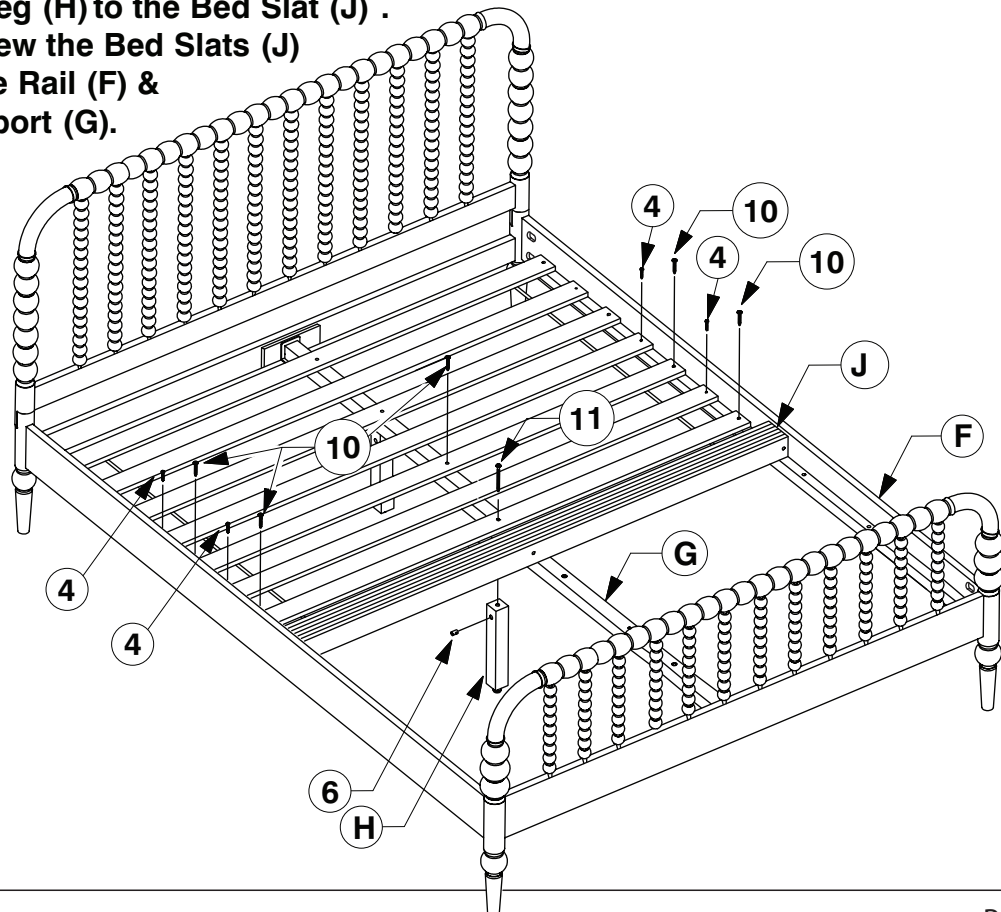
Assembly Instructions

WI-0524

- 11** Fit the first 3 Slats and assemble the Support Leg (H) to the Bed Slat (J) . Bolt & screw the Bed Slats (J) to the Side Rail (F) Long Support (G).



- 12** Fit the other Slats out and assemble the Support Leg (H) to the Bed Slat (J) . Bolt & screw the Bed Slats (J) to the Side Rail (F) & Long Support (G).

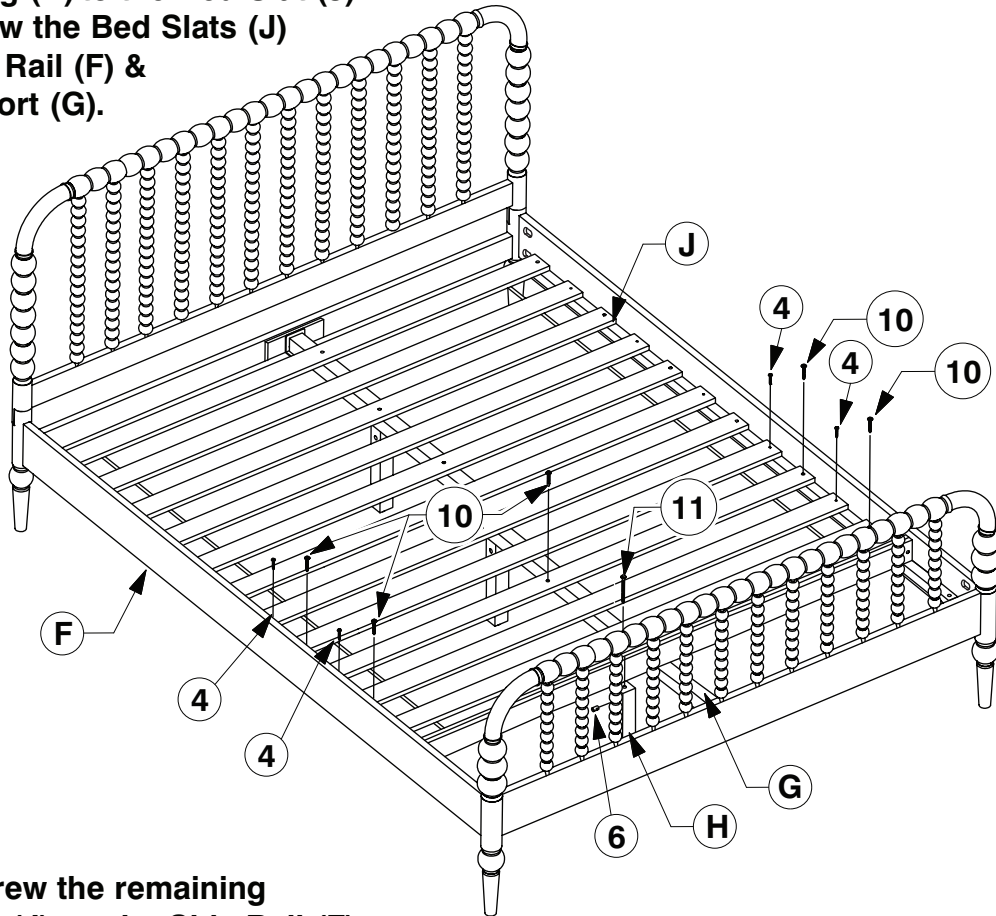


0110-4 Full Bed

Assembly Instructions

WI-0524

- 13** Fit the other Slats out and assemble the Support Leg (H) to the Bed Slat (J) . Bolt & screw the Bed Slats (J) to the Side Rail (F) & Long Support (G).



- 14** Bolt & screw the remaining Bed Slats (J) to the Side Rail (F).

