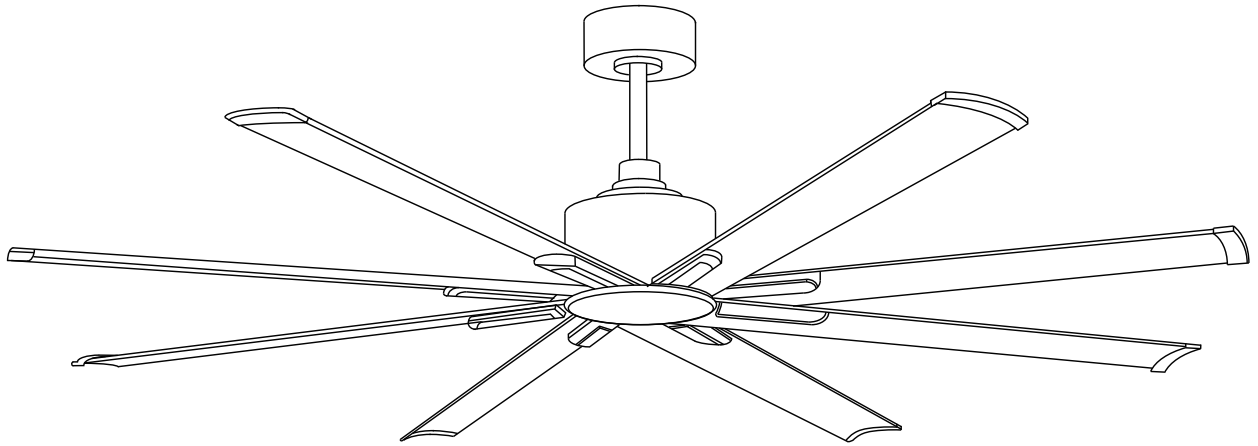


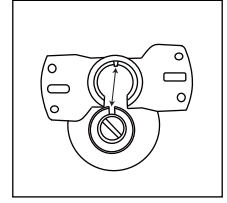
# User Manuals



# CEILING FAN

## WARM TIPS

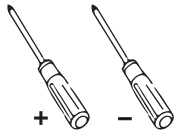
1. Insert the downrod ball head into the groove of the mounting bracket.
2. Using a full range dimmer switch(not included) to control fan speed will damage the fan.
3. Please refer to the last page for connecting the extension wire.



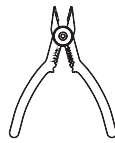
## TOOLS MAY REQUIRED



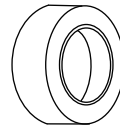
Ladder



Screwdriver



Wire Strippers



Tape



Goggles

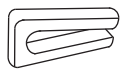
## ACCESSORIES



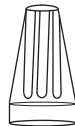
AA



BB



CC



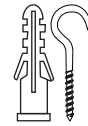
DD



EE



FF



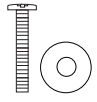
GG



HH



II



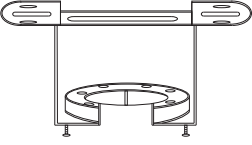
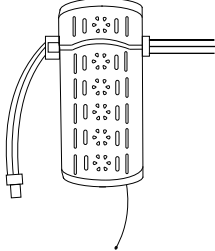
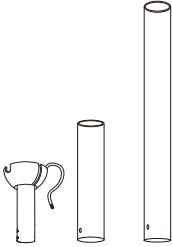

JJ

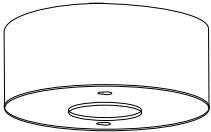


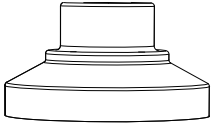
AA	Expansion screw	2
BB	Balance sticker	2
CC	Balance clamp	1
DD	Wire connector	3
EE	Blade screw (24 pre-installed.)	24+1spare
FF	Self-tapping screw	4
GG	Hook and expansion tube	1+1
HH	Blade decorative part screw	16+1spare
II	Blade decorative part screw	8+1spare
JJ	J-box screw and washer	2+2

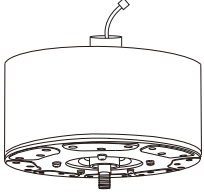
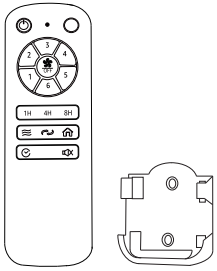

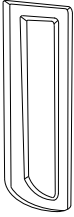
# CEILING FAN

## PACKAGE CONTENTS

- In addition to the parts included in the accessory package, there are a total of 12 fan light accessories. Please carefully check whether any parts are missing from the package and make sure to confirm all the parts inside the box . (Each 1 pack)

Mounting bracket	Receiver	Downrod	Fan blade
<b>A</b> 	<b>B</b> 	<b>C</b> 	<b>D</b> 
<b>1</b>	<b>1</b>	<b>3</b>	<b>8</b>

Canopy cover	Motor bottom cover	Magnetic deco cover	Coupling cover
<b>E</b> 	<b>F</b> 	<b>G</b> 	<b>H</b> 
<b>1</b>	<b>1</b>	<b>1</b>	<b>1</b>

Fan motor host	Remote controller	Extension cord	Blade decorative part
<b>I</b> 	<b>J</b> 	<b>K</b> 	<b>M</b> 
<b>1</b>	<b>1</b>	<b>1</b>	<b>8</b>

# CEILING FAN

---

## IMPORTANT WARNING

- To reduce the risk of electric shock, turn off all power sources.
- All wiring must comply with the National Electrical Code and local electrical codes. Electrical installation should be performed by a qualified licensed electrician.
- **WARNING:** To reduce the risk of personal injury, use only the two steel screws (and lock washers) provided with the outlet box for installation. Most outlet boxes are typically used to support lighting devices instead of fans and may need to be replaced. If in doubt, please consult a qualified electrician.



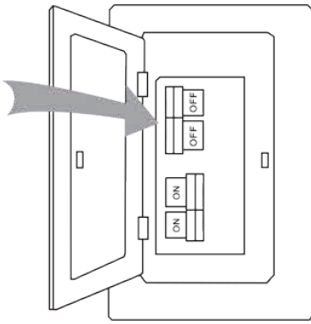
## **WARNING**

TO REDUCE THE RISK OF FIRE  
ELECTRIC SHOCK OR PERSONAL INJURY  
MOUNT FAN TO OUTLET BOX MARKED  
ACCEPTABLE FOR FAN SUPPORT

- Do not turn the fan blades until the fan installation is completed.
- To avoid personal injury or damage to the fan and other items, maintain and clean the fan with care.
- Do not use water or detergents to clean the fan or fan blades. A dry rag or slightly damp cloth is suitable for cleaning.
- Electrical diagrams are for reference only. Please refer to the instructions used with the packaging for properly assembled lighting kits.

# CEILING FAN

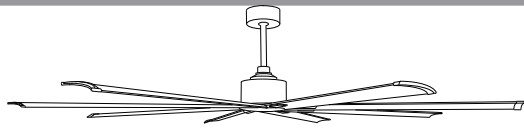
## SAFETY RULES



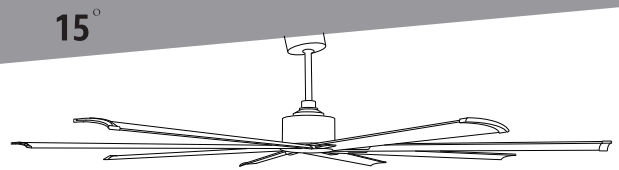
Turn off the main circuit power switch and wall fan switch.



Failure to disconnect the power supply prior to installation may result in serious injury or death.



Horizontal ceiling installation



Slope ceiling installation

Proper installation: The ceiling fan must be mounted vertically on a sturdy ceiling, and the fan must be installed in a manner capable of supporting a weight greater than 66 lbs. If the fan is mounted on a slanted ceiling, the hanger's opening should be tilted upward, and the slot should be inserted into the ear.

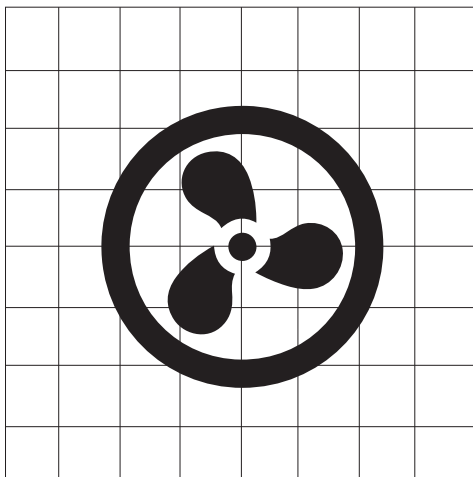


Safety Tips: Slope ceiling installation is only applicable to slope ceiling installation below 15° horizontally.

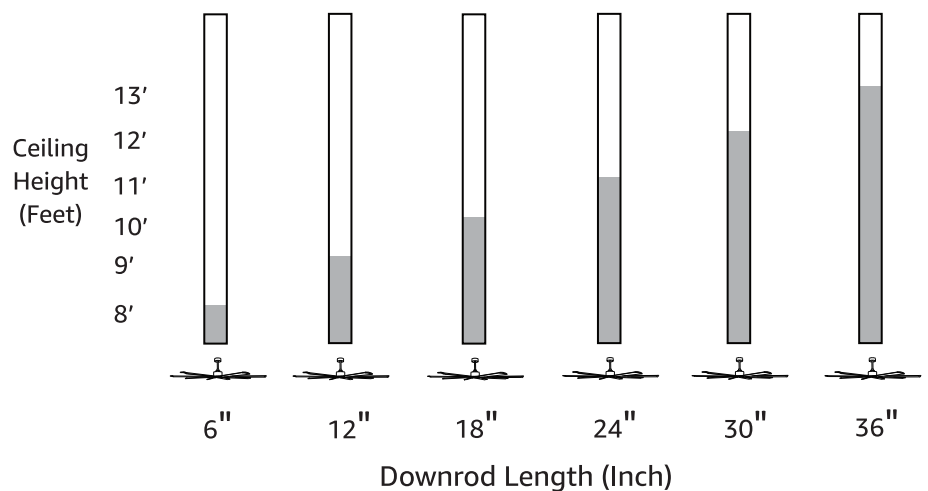
## INSTALLATION RECOMMENDED

■ Recommended Room Size:

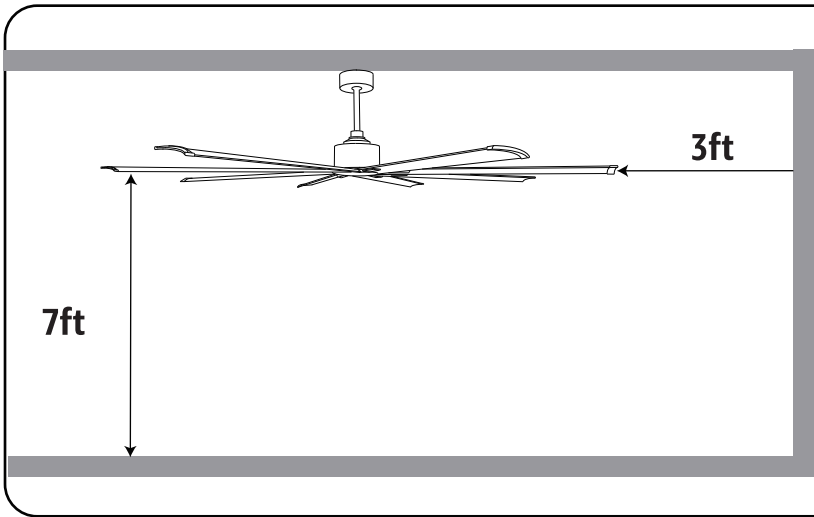
■ Recommended installation height and downrod length:



RANGE FROM 20FT X 20FT TO 18FT X 26FT



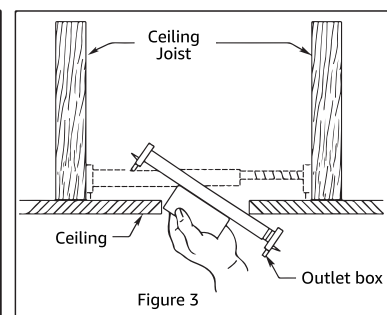
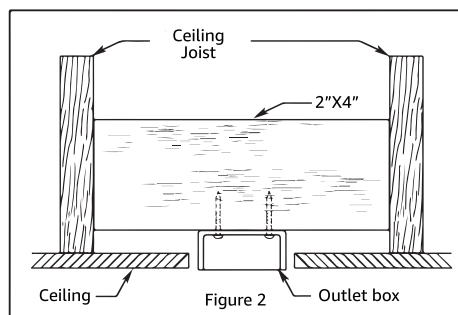
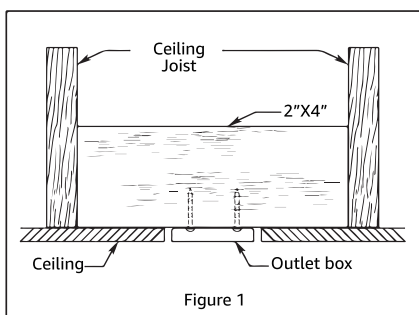
# CEILING FAN



Ensure the blades will be at least 3' from any obstruction. Also check the downrod length to ensure the blades will be at least 7' above the floor.

## ELECTRICAL AND STRUCTURAL REQUIREMENTS

- Your new ceiling fan will require a grounded electrical supply line of AC110~130V/60Hz15 Amp Circuit. Electrical code requires use of a fan-rated outlet box to support the extra weight and motion associated with a ceiling fan. A fan-rated box will be labeled as such and typically supports up to a 70lbs ceiling fan. Fan-Rated Outlet Boxes vary in rating and design. Ensure the ratings of your ceiling fan outlet box meet the requirements for the ceiling fan being installed. Figure 1, Figure 2 and Figure 3 depicts different structural configurations that may be used for mounting the outlet box.
- Low-profile use (Figure 1):  
A 1/2-deep pancake box is meant to be screwed to a joist or block. It is used if only one cable is coming into the box. It is also available in a saddle-mount configuration.
- Deep-profile use (Figure 2)  
A 2-1/4" deep box can be attached to blocking between joists and is roomy enough to handle more than one cable.
- Brace use (Figure 3)  
Paired with a deep box, this hanger is meant to span between two joists and takes the place of wooden blocking.



# CEILING FAN

- If your fan is to replace an existing light fixture, turn power off at the main fuse box and remove the existing light fixture.

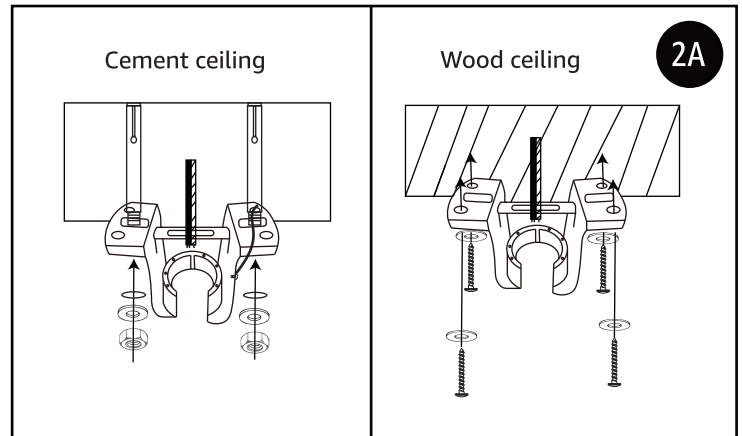
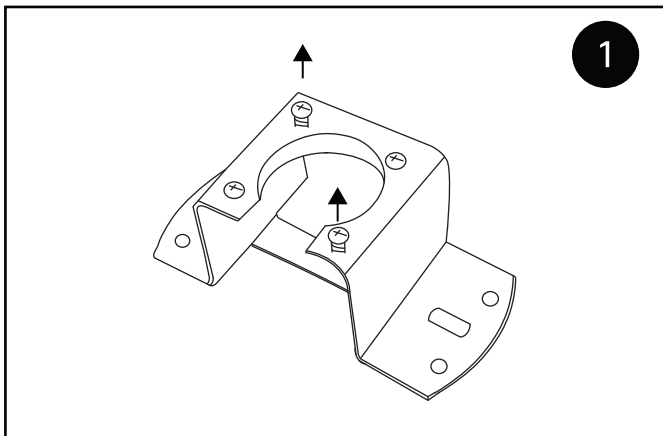
## ⚠ WARNING

Turning off wall switch is not sufficient, to avoid possible electrical shock be sure electricity is turned off at the main fuse box before wiring. All wiring must be in accordance with National and Local codes and the ceiling fan must be properly grounded as a precaution against possible electrical shock.

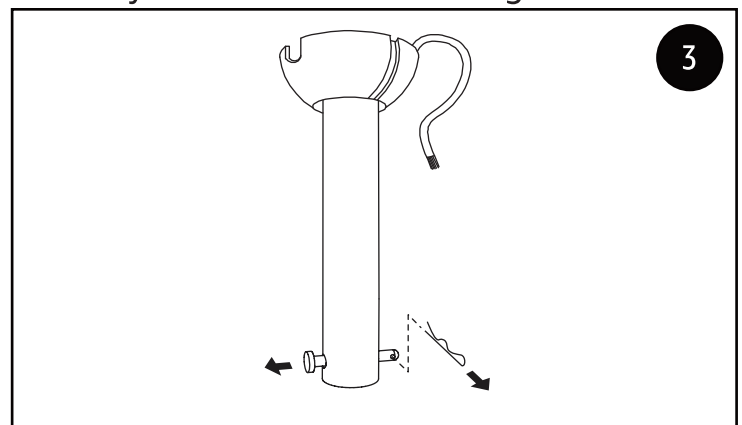
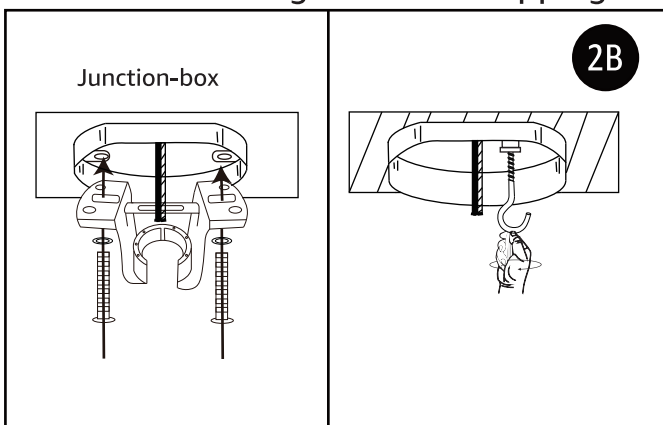
## ⚠ WARNING

Do not operate this fan with a variable (Rheostat) wall controller or dimmer switch. Doing so could result in damage to the ceiling fan's remote control unit.

## INITIAL INSTALLATION

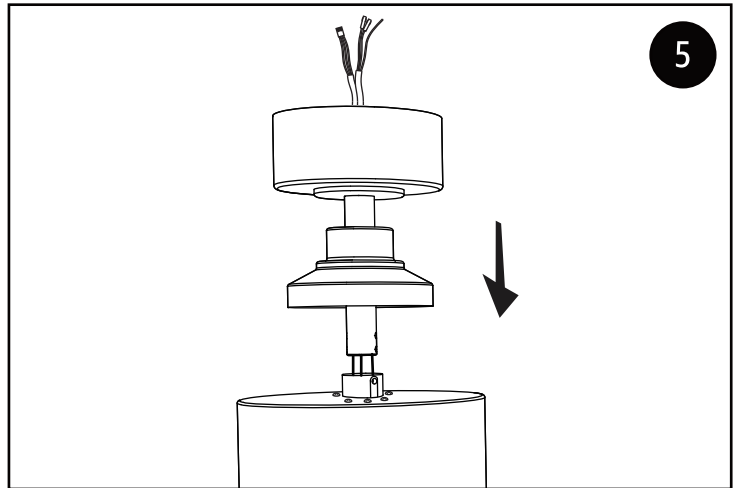
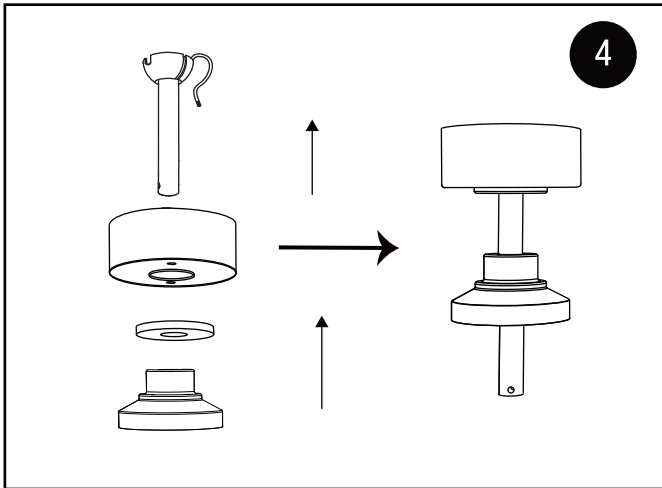


- 1 Unscrew the two diagonal screws of the bracket counterclockwise by 2-3 turns, ensuring that they remain securely fixed to the bracket.
- 2A Mount the bracket to the ceiling and use appropriate accessory screws to secure it based on the type of ceiling material.  
Cement ceiling: Drill holes into the cement ceiling, then utilize expansion screws or expansion tubes along with self-tapping screws for fixation.  
Wooden ceiling: Drive self-tapping screws directly into the wooden ceiling.

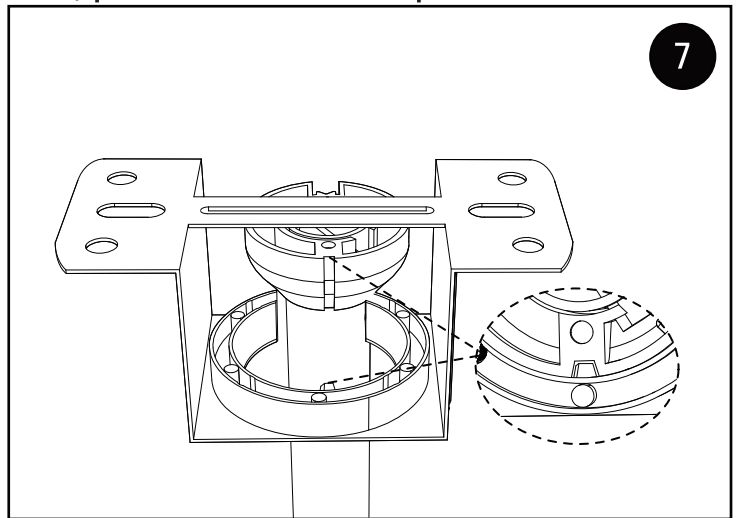
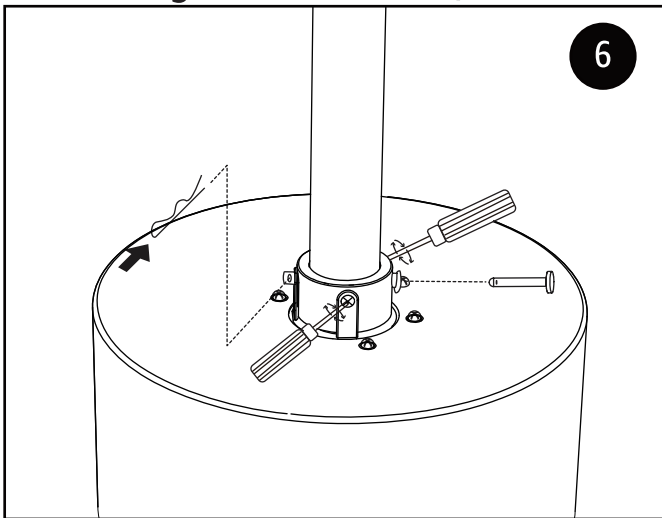


- 2B Junction box: Secure the bracket to the ceiling using j-box screws and washers. Secure the expansion tube and hooks to the ceiling.
- 3 Remove the lower rod pin from the lower rod assembly. (Please refer to the last page for instructions on how to replace the downrod. For easy wiring, it is recommended to thread the wire while replacing the downrod.)

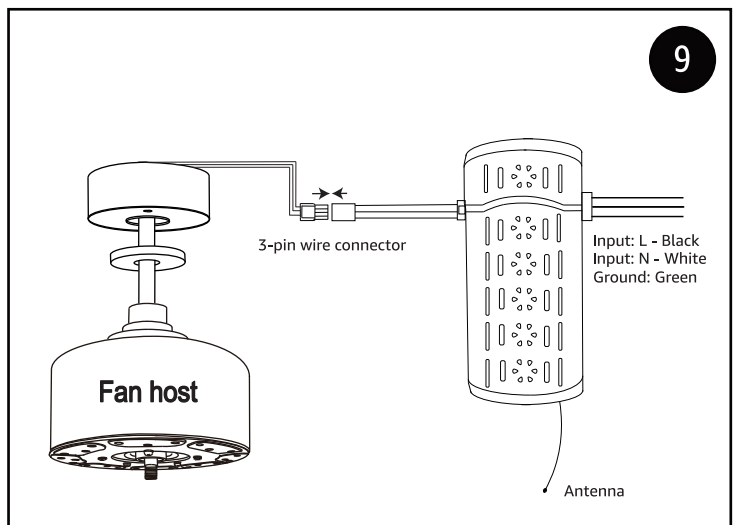
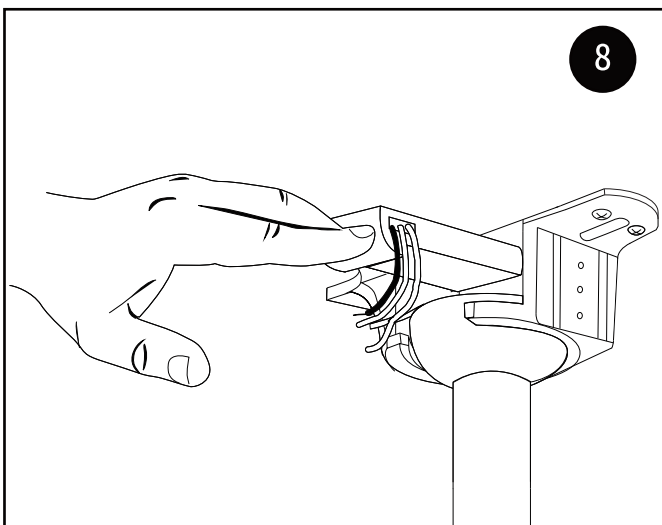
# CEILING FAN



- 4 Mount the canopy cover, Magnetic deco cover and coupling cover onto the downrod.
- 5 Assemble the canopy and coupling cover as shown in the figure, thread the wires through the downrod. (If the wires blocked, please take out the pin on the ball head).

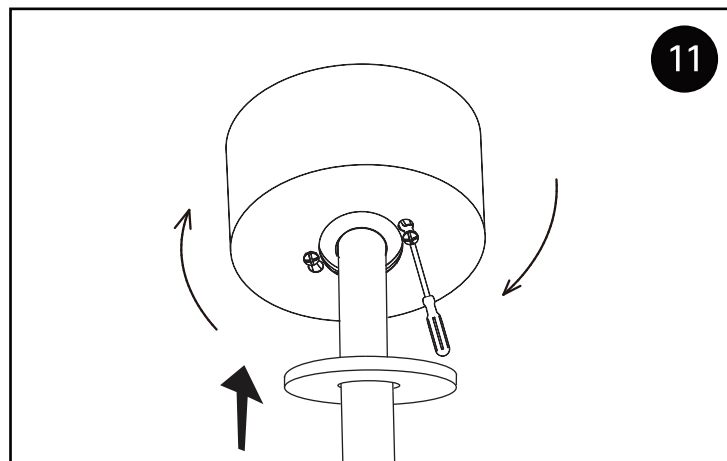
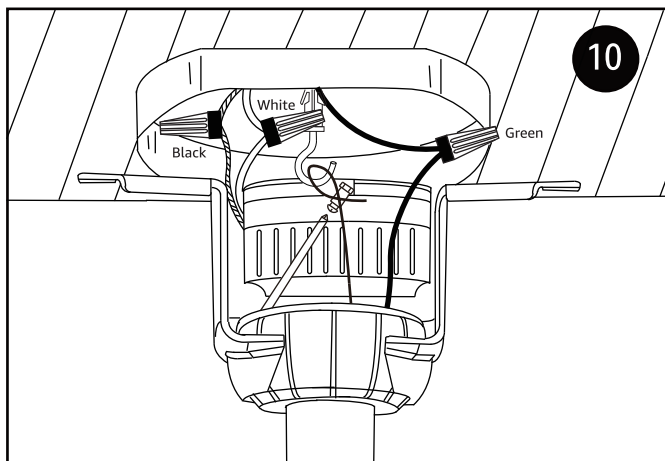


- 6 Insert the downrod pin, lock it with the downrod clip, and then tighten the two screws on the yoke.
- 7 Hang the downrod onto the bracket, ensuring that the two slots align.



- 8 Place the receiver on the bracket.
- 9 Connect the wires between the receiver and the fan motor host: connect with a 3-pin connector.

# CEILING FAN



- 10 For safety, please hang the safety rope on the hook:

Wiring:

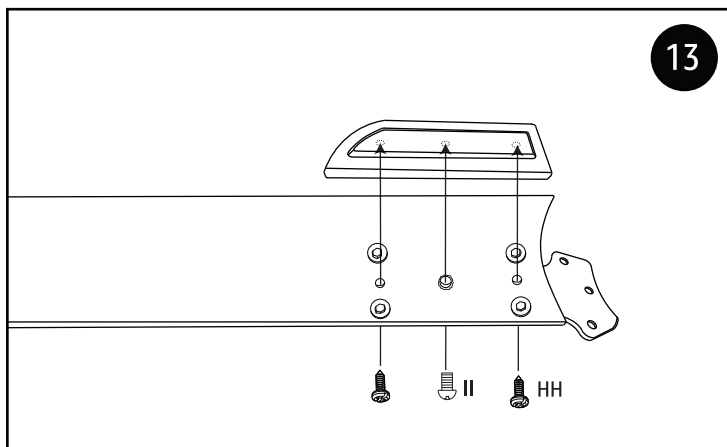
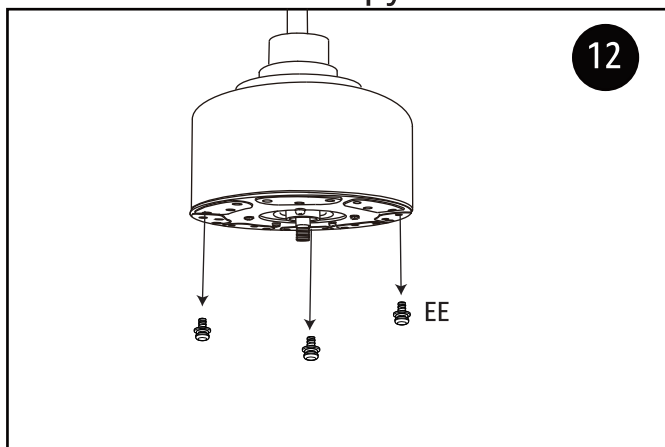
Connect the "Neutral wire" (white wire) from ceiling to the white wire.

Connect the "Live wire" (black wire) from ceiling to the black wire.

Connect the "Ground wire"

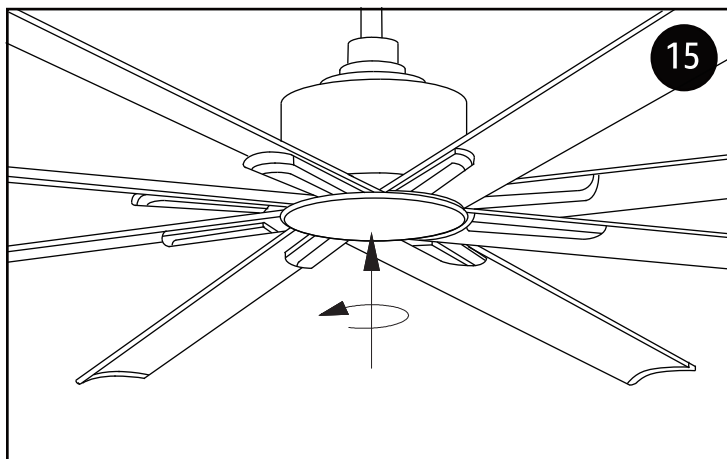
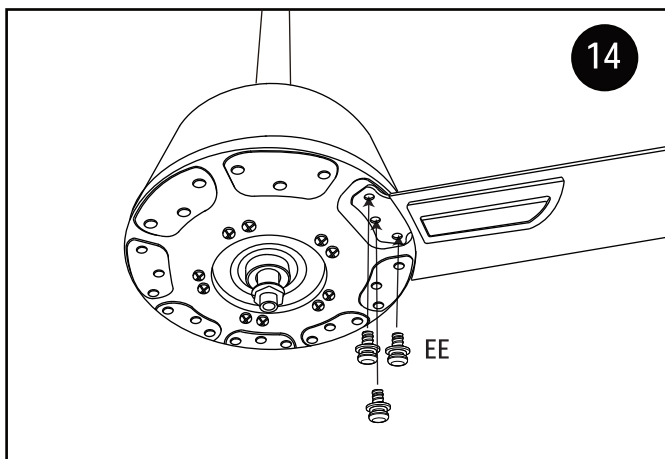
(green or yellow/green or bare) from ceiling to the green wire.

- 11 Push the canopy cover upward, align it with the two screws from step one, rotate and tighten the screws to secure canopy cover. Then attach the magnetic decor cover to the canopy cover.



- 12 Unscrew all 24 pre-installed fan blade screws.

- 13 Use 3 blade decorative part screws (II and JJ) to attach the blade decorative part to the fan blade. (Repeat this step for the remaining fan blades.)



- 14 Use the screws removed in Step 12 to attach the assembled fan blades to the chassis of the fan motor host. ( Repeat above steps to install all the blades.)

- 15 Rotate the motor bottom cover counterclockwise to motor.

# CEILING FAN

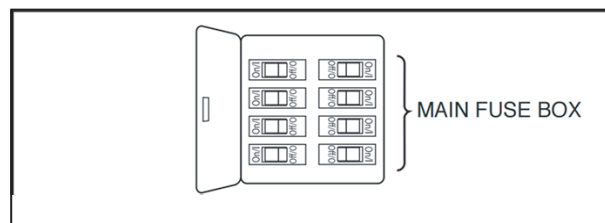
## HOW TO OPERATE YOUR CEILING FAN

- **IMPORTANT:** Using a full range dimmer switch(not included) to control fan speed will damage the fan. To reduce the risk of fire or electrical shock, do not use a full range dimmer switch to control the fan speed(Figure 1).



(Figure 1)

- Restore electrical power to the outlet box by turning the electricity on at the main fuse box.(Figure 2).



(Figure 2)


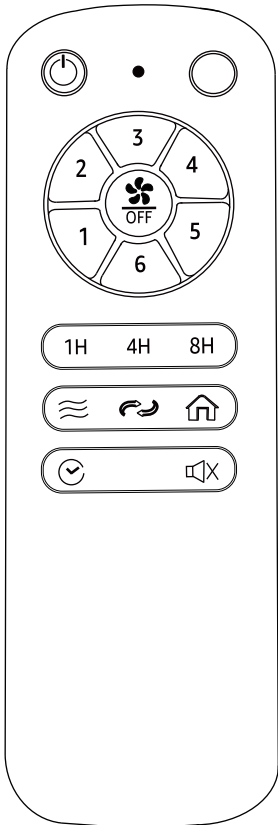


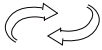


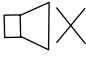
### **!** WARNING

Check to see that all connections are tight, including ground, and that no bare wire is visible at the wire connectors, except for the ground wire.

Do not operate this fan with a variable(Rheostat) wall controller or dimmer switch. Doing so could result in damage to the ceiling fan's remote control unit.

# CEILING FAN

## REMOTE CONTROL

	All off	
<b>1-6</b>	Fan speed setting	
	Fan on/off	
	Natural wind	
	Airflow direction	
	<b>Anti-theft mode</b> (Pressing the button will turn off the light and fan. Then, the light and fan will run for 10 minutes every 4 hours.)	
	Delay off in 5 minutes	
	Mute	
<b>1H 4H 8H</b>	Quick timer setting (1H-4H-8H)	
<b>Installing Wall Plate:</b> Attach wall plate using the two provided screws.		

To operate the fan, please install 2 AAA batteries (included) in the handheld remote transmitter. If not used for extended periods of time, remove the batteries to prevent damage to the transmitter. Store the remote away from excessive temperatures and humidity.

Pairing method: (single/multiple fans)

The remote control transmitter can be used to control multiple receivers.

1. For the ceiling fan you want to pair, turn the main power switch off for at least 60 seconds.

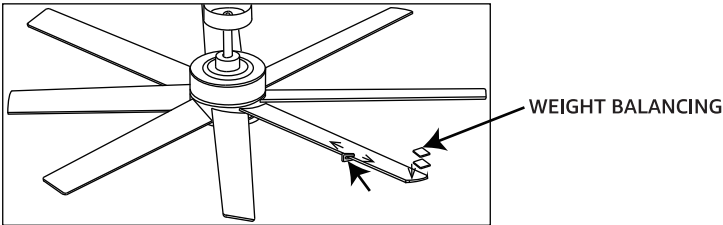
2. Turn on the main power switch of the ceiling fan, then immediately press and hold .

3. Wait emitting a beep, then release the button, pairing completed.

If the pairing process is unsuccessful, repeat above steps.

# CEILING FAN

## TROUBLESHOOTING

PROBLEM	SUGGESTED REMEDY
If fan does not start	<ol style="list-style-type: none"> <li>1. Check main and branch circuit fuses or circuit breakers.</li> <li>2. Make sure that the wall control is turned "ON"</li> <li>3. Check line wire connections to fan and switch wire connections in switch housing. CAUTION: Make sure main power is turned off.</li> <li>4. Make sure battery has power, change battery(2*AAA) to try again.</li> <li>5. The remote controller is not paired, check Page.10 to pair.</li> <li>6. The motor or receiver or remote controller is fault, contact our customer service.</li> </ol>
If fan sounds noisy	<ol style="list-style-type: none"> <li>1. Make sure all screws in motor housing are snug. (not over tightened)</li> <li>2. Make sure the screws which attach the fan blade bracket to the motor are tight.</li> <li>3. Too close to the wall, make sure the blades at least 3ft to the wall.</li> <li>4. Make sure wire connectors in switch housing are not rattling against each other or against the interior wall of the switch housing. CAUTION: Make sure main power is turned off before entering switch housing.</li> <li>5. Some fan motors are sensitive to signals from Solid State variable speed controls. DO NOT USE a Solid State variable speed control.</li> <li>6. Allow "break-in" period of 24 hours. Most noises associated with a new fan will disappear after this period.</li> </ol>
If fan wobbles	<p>All blades are weighed and grouped by weight. The following procedures should eliminate most of the wobble. Check for wobble after each step:</p> <ol style="list-style-type: none"> <li>1. Check that all blades are screwed firmly into motor housing.</li> <li>2. Make sure that canopy and mounting bracket are tightened securely to ceiling junction box and junction box is mounted firmly to ceiling joist.</li> <li>3. Make sure the ball head into the slot.</li> <li>4. Make sure the the downrod is well fixed by screws</li> <li>5. Interchanging two adjacent blades could redistribute the weight and possibly result in smoother operation.</li> <li>6. The balancing kit should only be used if there is an unacceptable amount of fan wobble after completing all the steps:</li> </ol> <p><u>How to use balancing kit:</u></p> <ol style="list-style-type: none"> <li>(1) Turn the fan on and set the speed control setting to a speed at which the wobble is the greatest.</li> <li>(2) Turn off the fan and allow it to come to a complete stop. Select one blade and place the balance clip on it, halfway between the blade holder and the blade tip on the trailing edge of the blade.</li> <li>(3) Turn the fan on. Note whether the wobble has increased or decreased. Turn the fan off, move the clip to another blade, and retest. Repeat this procedure on all blades, noting the blade on which the greatest improvement is achieved.</li> <li>(4) Move the clip back to the blade that showed the greatest improvement. Move the clip inward and outward on this blade and operate the fan to find the position where the clip gives the greatest improvement.</li> <li>(5) Remove the clip and install a balancing weight to the top of the blade along the centerline, near the point where the clip was positioned.</li> <li>(6) If the fan wobble problem has not been corrected, you can try to improve the balancing further by using the balancing clip and additional weights.</li> </ol> 

# CEILING FAN

---

## CUSTOMER SERVICE

### 30-Days Full Refund Guarantee

If you are not completely satisfied or the item isn't what you expected, just tell us within 30 days. We will give you a full refund unconditionally.

### Friendly Reminder

It's better to contact us than leaving a negative shopping experience. Nothing is more important than your satisfaction, and we will do our best to serve you.

### Quick Response within 12 Hours

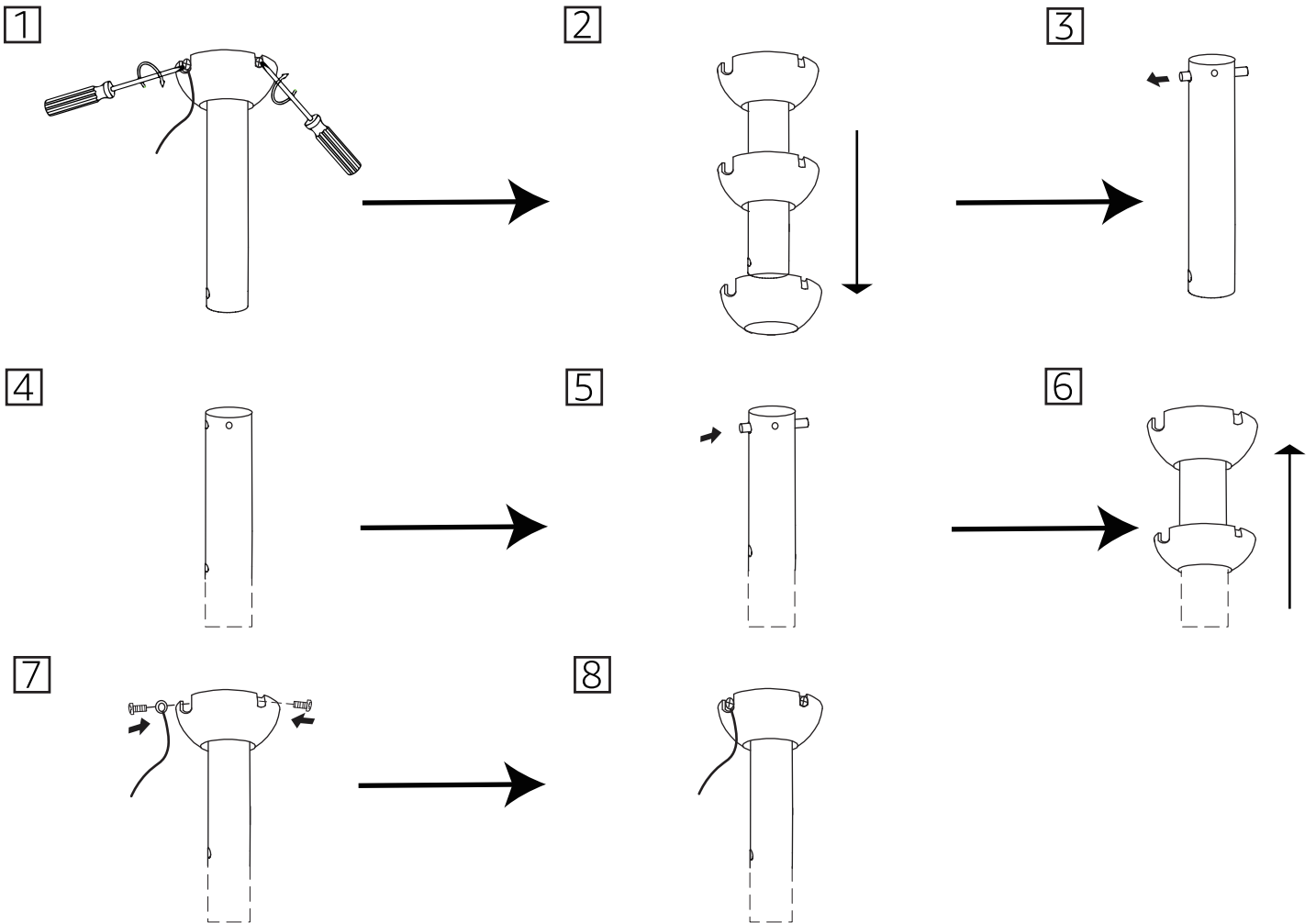
You can contact us without any hesitation at any time of the day, and we will reply to you within 12 hours. ( It would be appreciated if you could provide us with a video or pictures, if available)

### 2-year Warranty

Your fan light comes with a two-year warranty. If a malfunction occurs due to product quality issues, we will assist in diagnosing the problem and provide replacement parts free of charge to ensure your fan light resumes normal operation.

# CEILING FAN

## REPLACE THE DOWNROD



### WARNING

Fan fall hazard  
To prevent serious injury or death:

- Always follow the downrod assembly instructions exactly.
- Verify the downrod is assembled correctly by firmly pulling on the hanger ball.
- Pin must be reinserted to secure downrod assembly.

