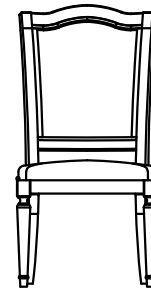


Tel: 828-728-3261  
www.americandrew.com

## TOOLS REQUIRED:

Allen Wrench (supplied, part # D)  
Wrench (supplied, part # G)



## BEFORE YOU START:

1. Check the parts against the parts list to make sure all items are present.
2. Assemble your furniture on a soft, flat surface to avoid scratching the finish.
3. **CAUTION:** Do not over tighten screws, nuts or bolts during assembly.
4. Your furniture may require occasional tightening.

## INSTRUCTIONS:

1. Put the chair back on the smooth and clean soft surface.
2. Attach seat ① to chair back ② using Bolt (E), Lock washer (B), Flat washer (C) and tighten with Allen Wrench (D). As shown in Figure 1.
3. Insert Bolt (A) to front legs ③. As shown in Figure 2.
4. Attach front legs ③ to seat ① using Nut (F), Lock washer (B), Flat washer (C) and tighten with Wrench (G). As shown in Figure 3.

Figure 1

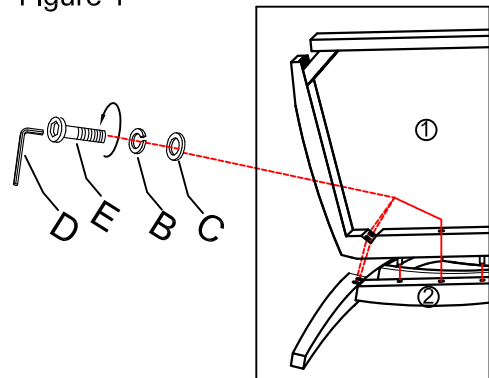


Figure 2

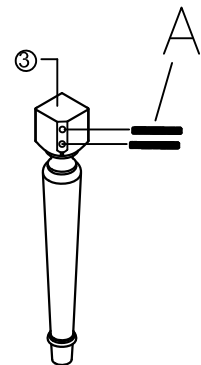
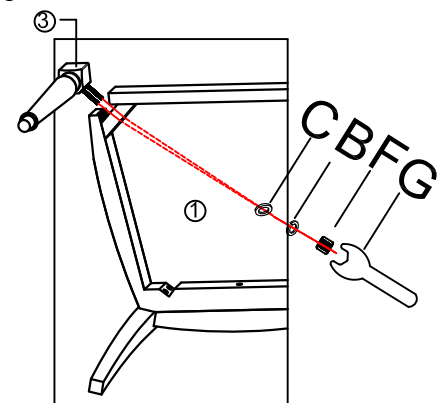


Figure 3



NO	DRAWING	DESCRIPTION	SIZE	Q'ty
A		Bolt	5/16"x65mm	4pc
B		Lock washer	Ø5/16"	9pcs
C		Flat washer	Ø5/16"	9pcs
D		Allen Wrench	100*50*4mm	1pc
E		Bolt	5/16"x80mm	5pcs
F		NUT	Ø5/16"	4pcs
G		Wrench	Ø5/16"	1pc

Thank you for purchasing furniture  
from american drew!