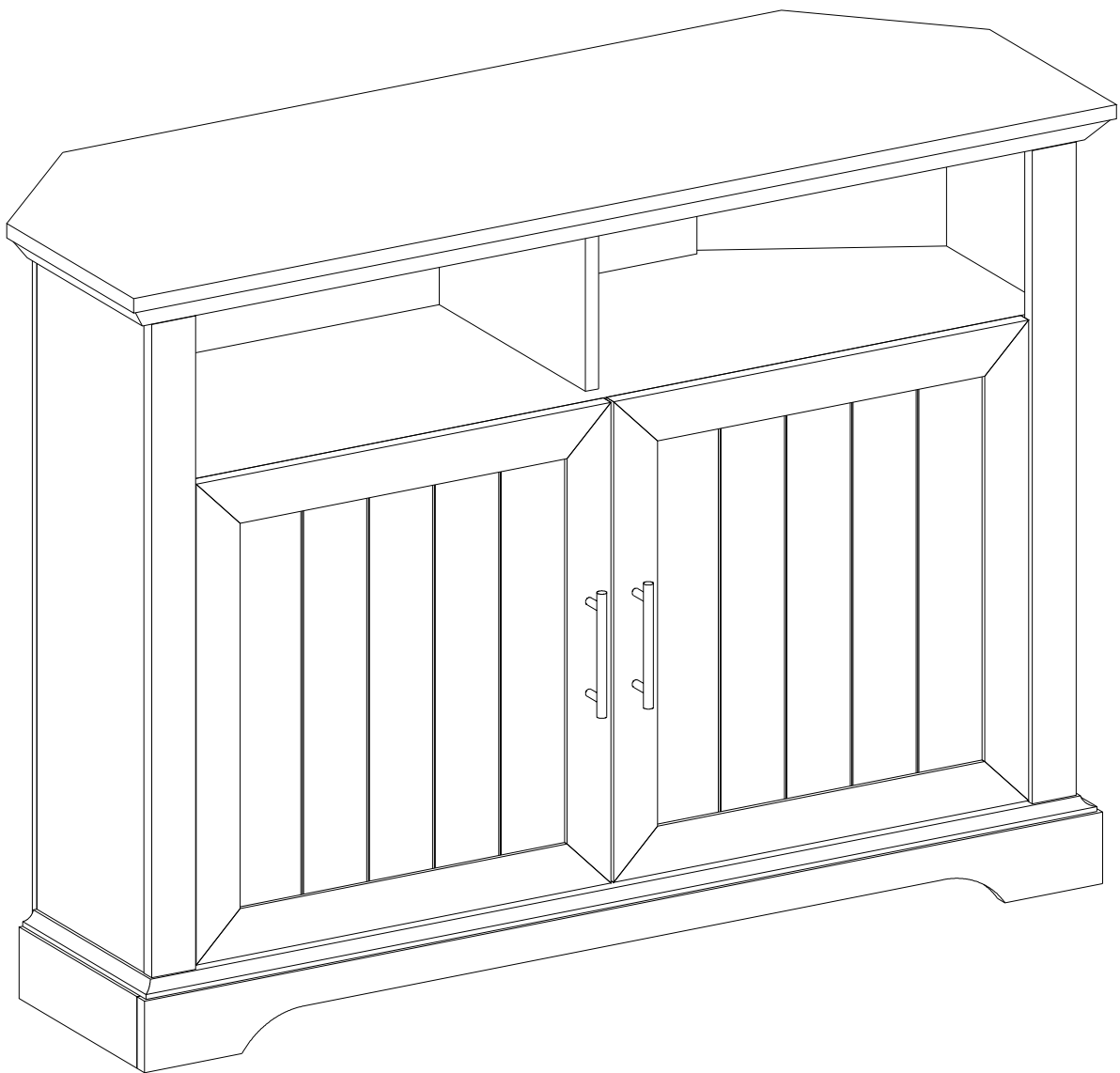
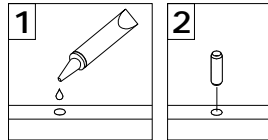


Assembly Instructions

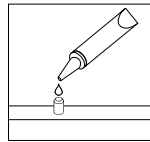


General Assembly Guidelines

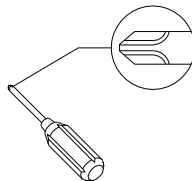
- I. Ensure that all parts and hardware are available before beginning assembly.
- II. Follow each step carefully to ensure the proper assembly of this product.
- III. Two people are recommended for ease in the assembly of this product.
- IV. The three main types of hardware used to assemble this product are: wood dowels, screws and bolts.
- V. The provided glue is to secure wood dowels in place. When first inserting dowels, locate the appropriate hole for the dowel, place a small amount of glue in the hole and insert the dowel. Wipe away excess glue immediately.



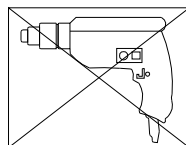
In future assembly steps when dowels are necessary to attach assembly parts together, place a small amount of glue on the end of the dowel before attaching parts together. Wipe away excess glue immediately.



- VI. A Phillips head screwdriver is required for the assembly of this product.

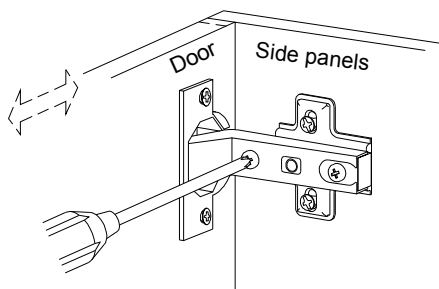


- VII. Power tools should not be used to assemble this product.

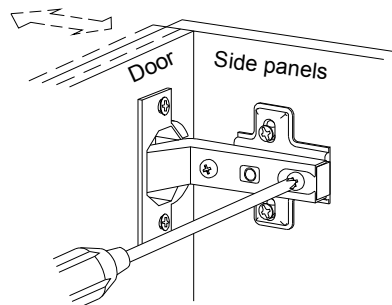


- VIII. Drill may be needed for securing product to wall.

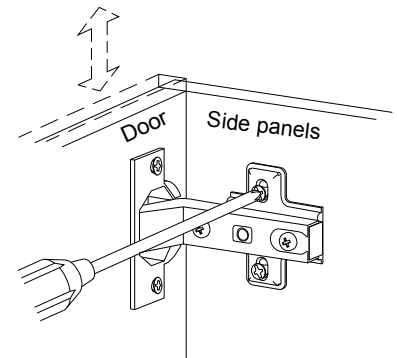
- IX. Concealed hinges are three-way adjustable.



Horizontal
by screw adjustment

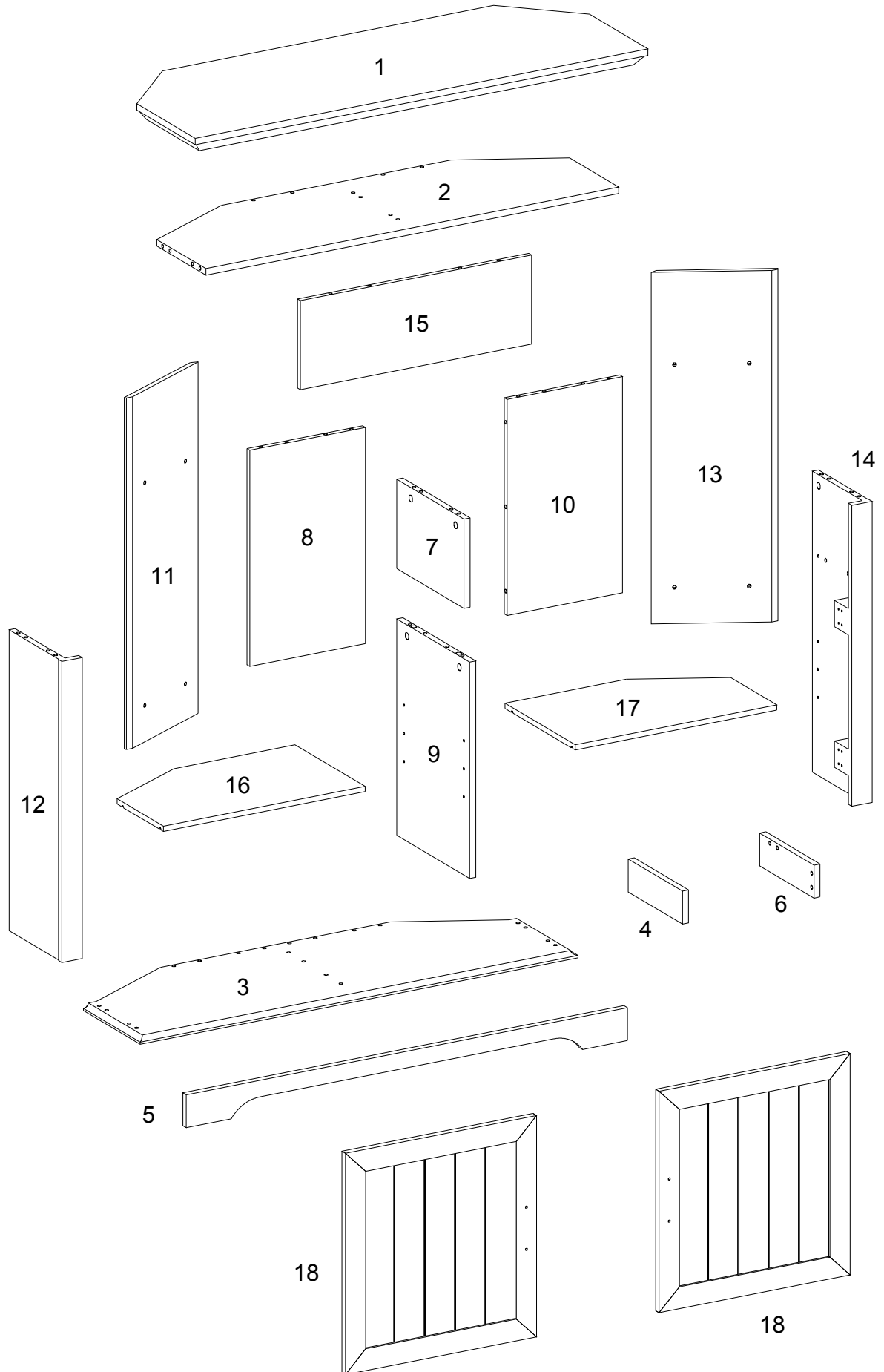


In-and-Out
by loosening the hinge-arm
mounting screw or via cam
adjustment


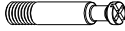


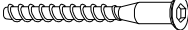

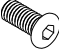


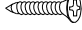
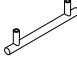





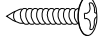





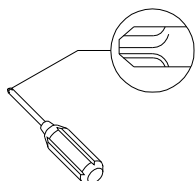
Vertical
Via slots in the mounting
plate or via cam adjustment

Parts List



Hardware List

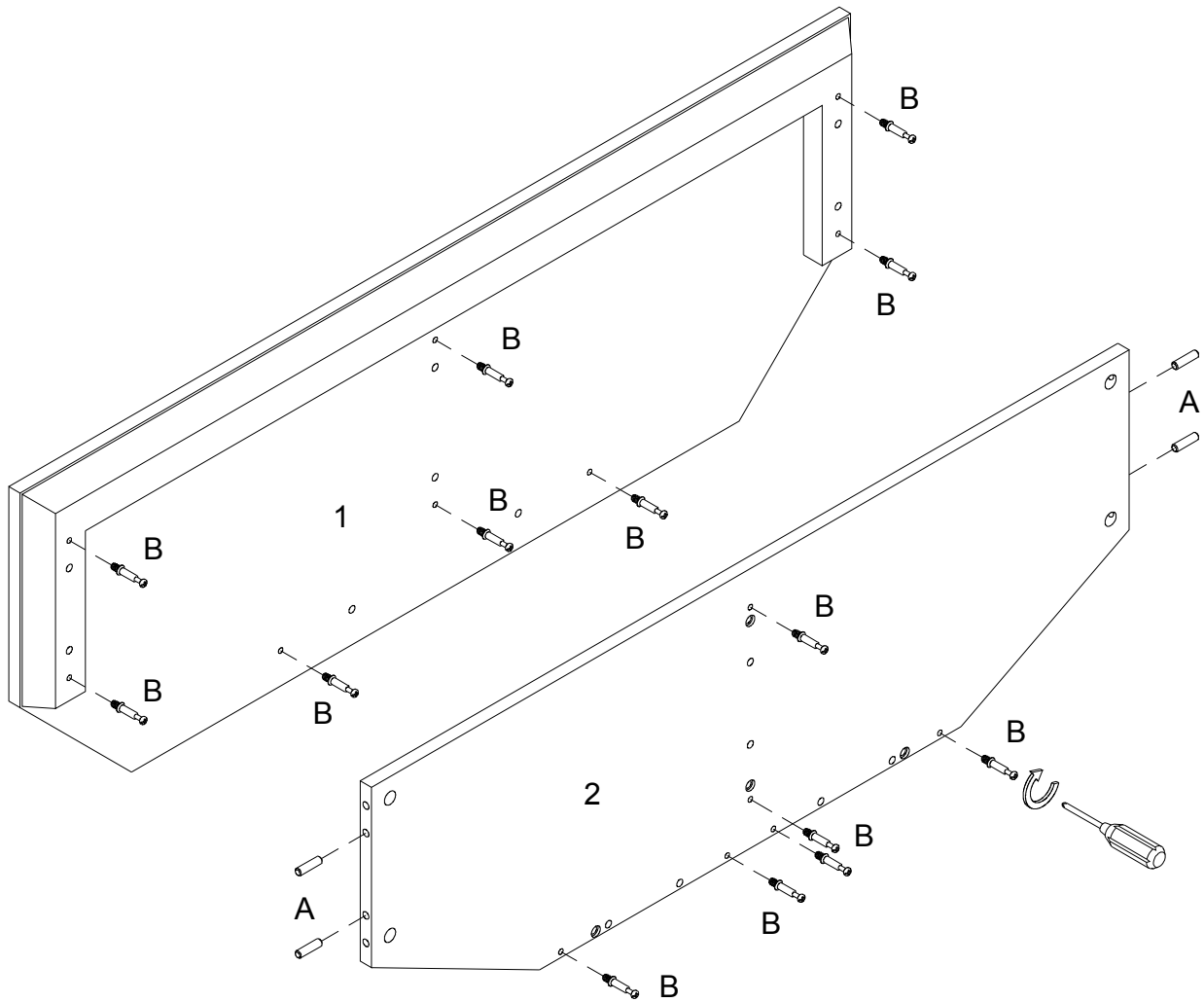
A		Ø8x30mm	Wooden dowel	20 pcs
B		Ø6x35mm	Cam bolt	18 pcs
C		Ø15x11mm	Cam lock	12 pcs
D		Ø30mm	Sticker	32 pcs
E		Ø6x50mm	Screw	22 pcs
F		M 4	Hex Key	1 pc
G		Ø6x12mm	Bolt	14 pcs
H			Plastic wedge	7 pcs
J			West hinge	4 pcs
K		Ø3x14mm	Screw	24 pcs
L			Knob	2 pcs
M		Ø4x22mm	Bolt	4 pcs
N		Ø8x5x16mm	Shelf support pin	8 pcs
P			Glue tube	1 pc
Q		Ø15x9mm	Cam lock	6 pcs
R		Ø6x30mm	Wooden dowel	15 pcs
S		Ø4x12mm	Screw	1 pc
T		Ø4x25mm	Screw	1 pc
U			Plastic strap	1 pc
V			Nut	1 pc



Philips head screwdriver required for assembly
(not included)

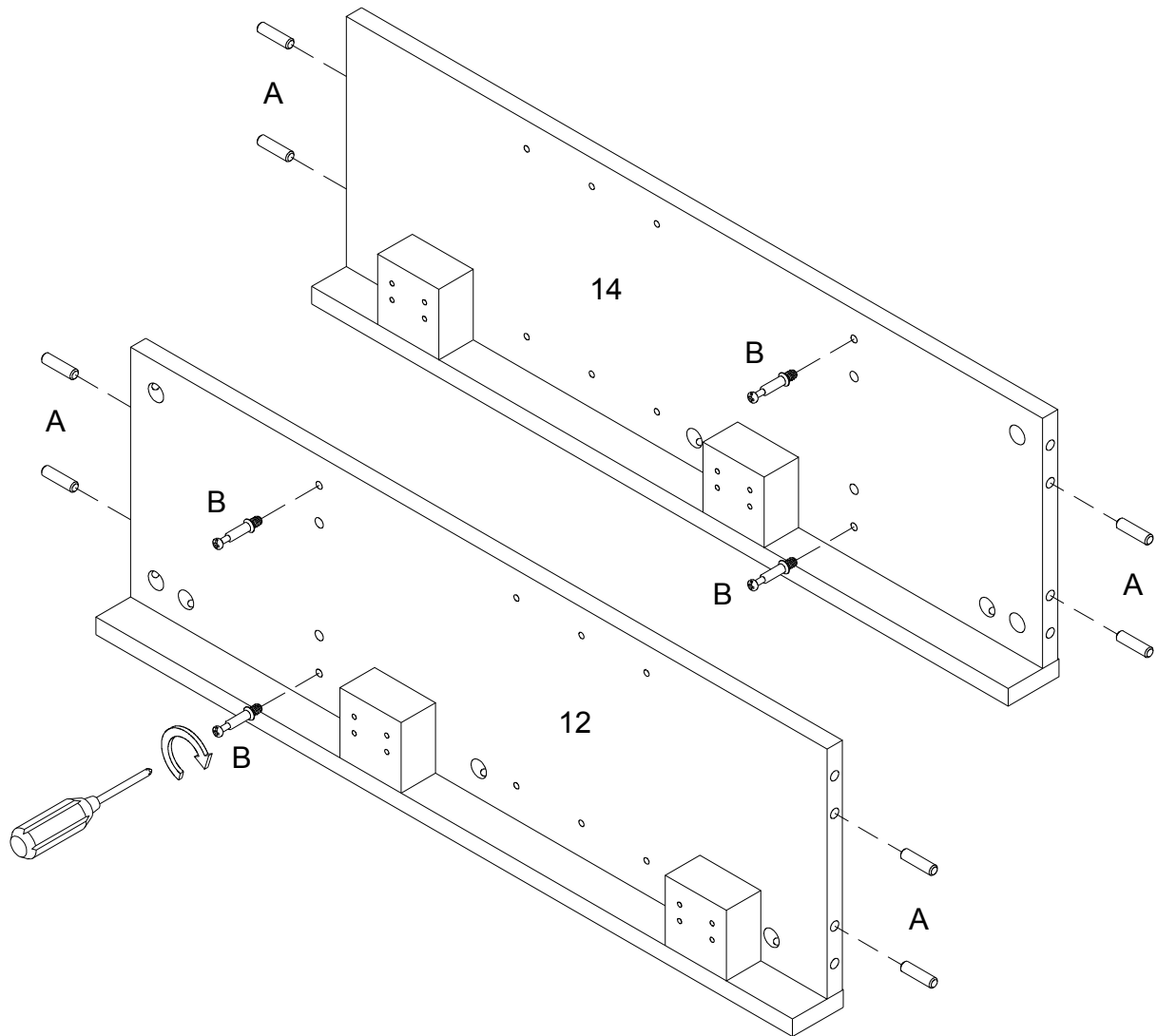
*The hardware quantities listed above are required for proper assembly.
Some extra hardware may also have been included.*

Step 1



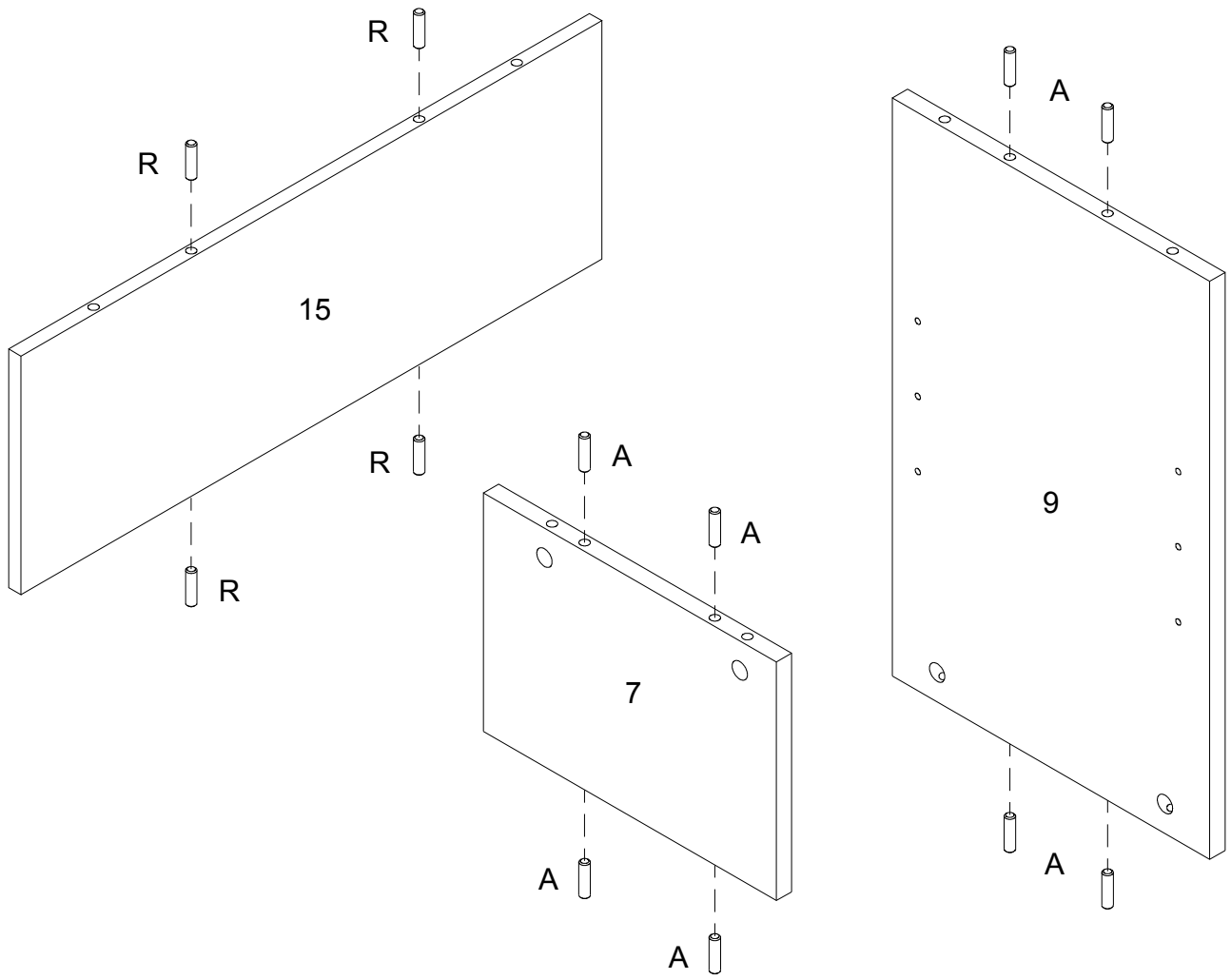
Insert cam bolt (B) and wooden dowel (A) to parts (1,2) with Philips head screwdriver as per diagram .

Step 2



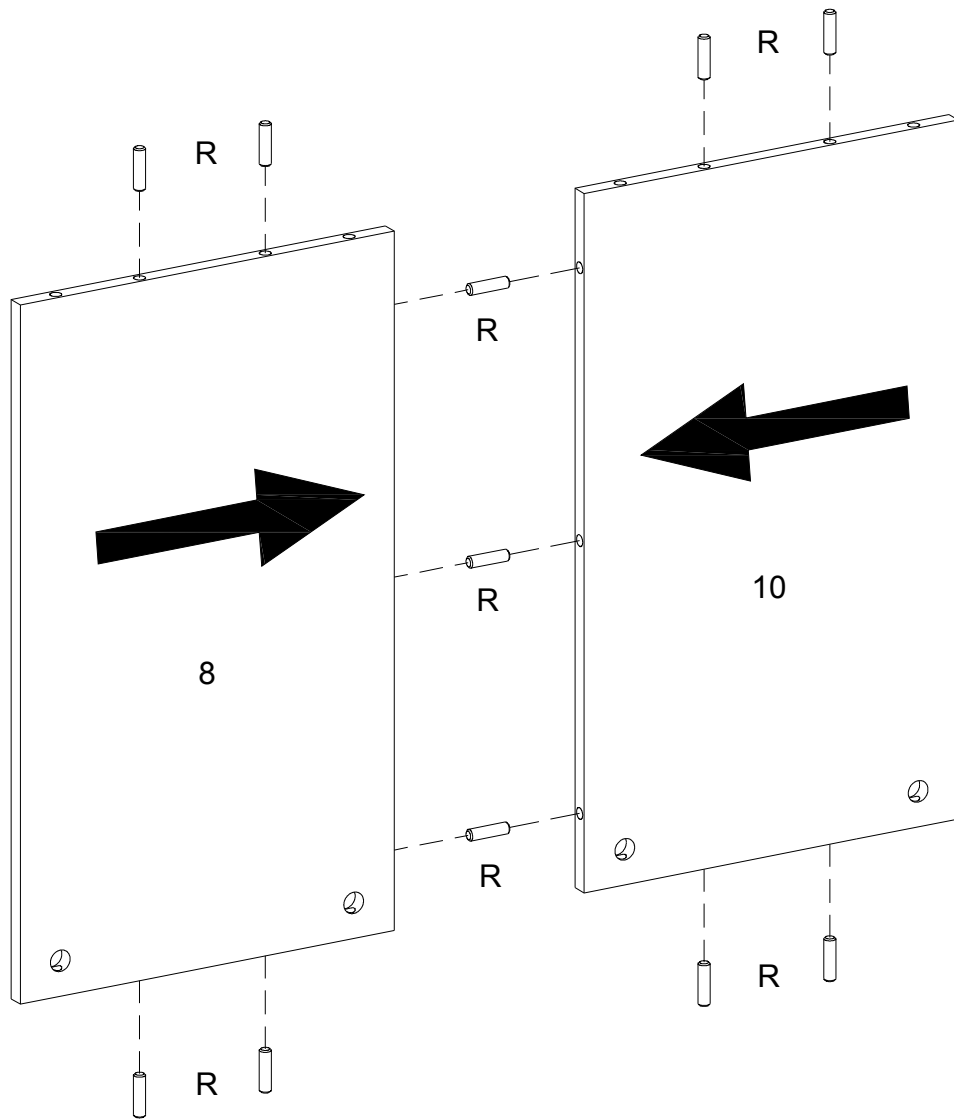
Insert cam bolt (B) and wooden dowel (A) to parts (12,14) with Philips head screwdriver as per diagram .

Step 3



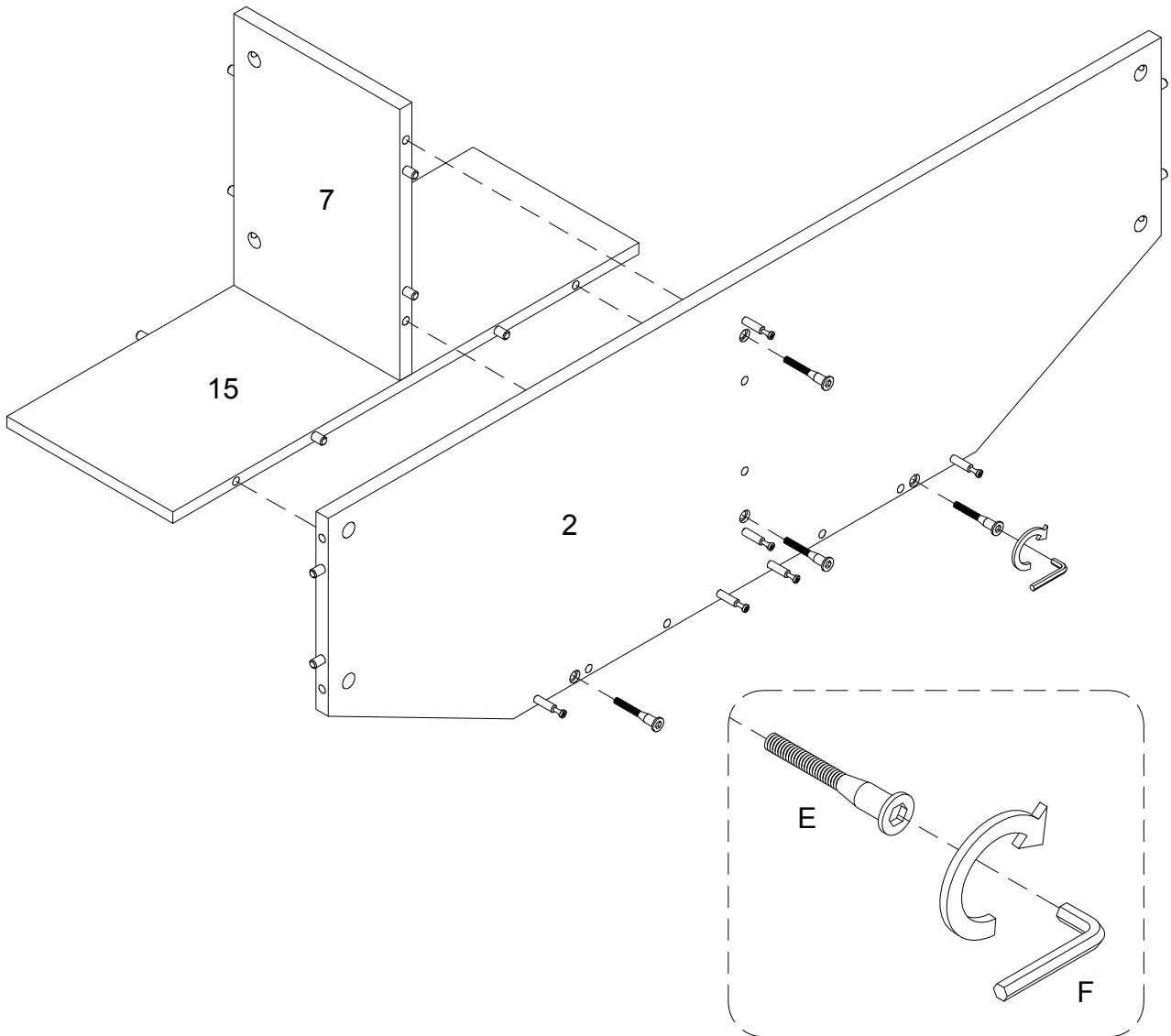
Insert wooden dowel (A,R) to parts (7,9,15) as per diagram

Step 4



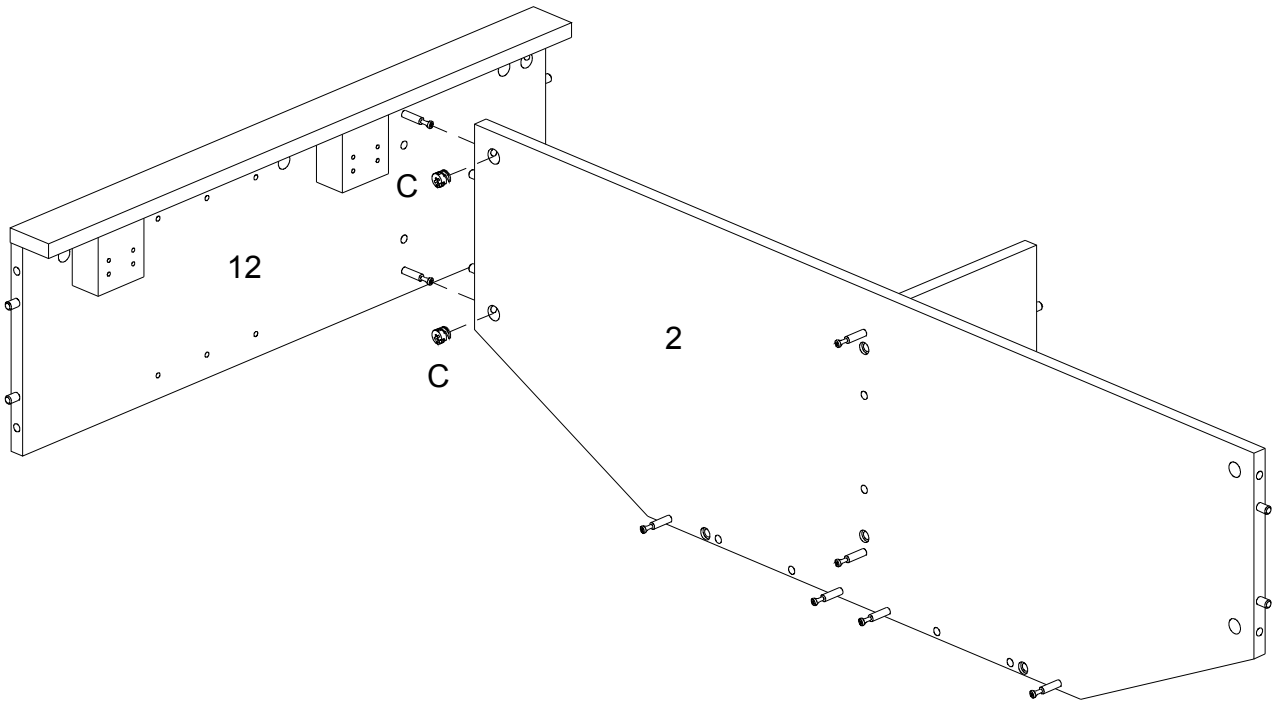
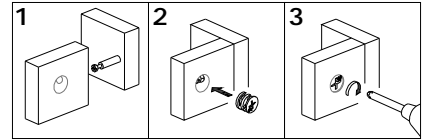
Insert wooden dowel (R) and connect with parts (8,10) as per diagram.

Step 5



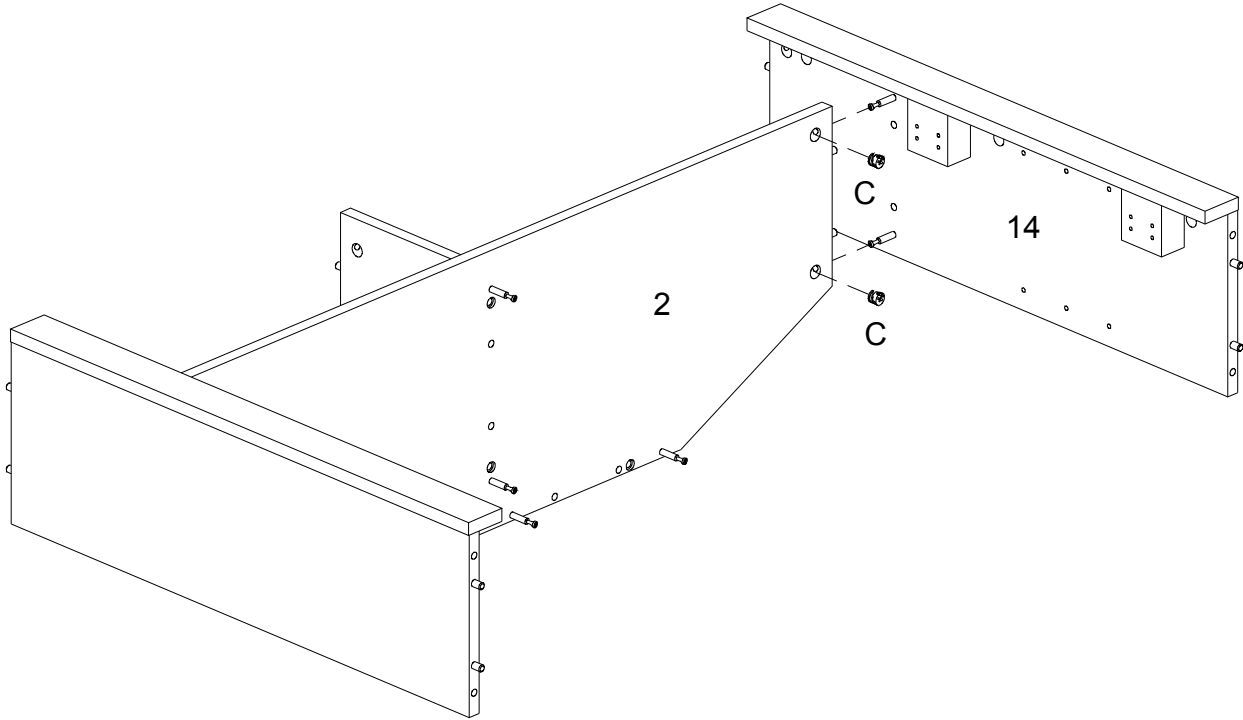
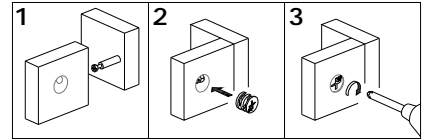
Using screw (E) secure part (2) to part (7,15) with hex key (F) as per diagram.

Step 6



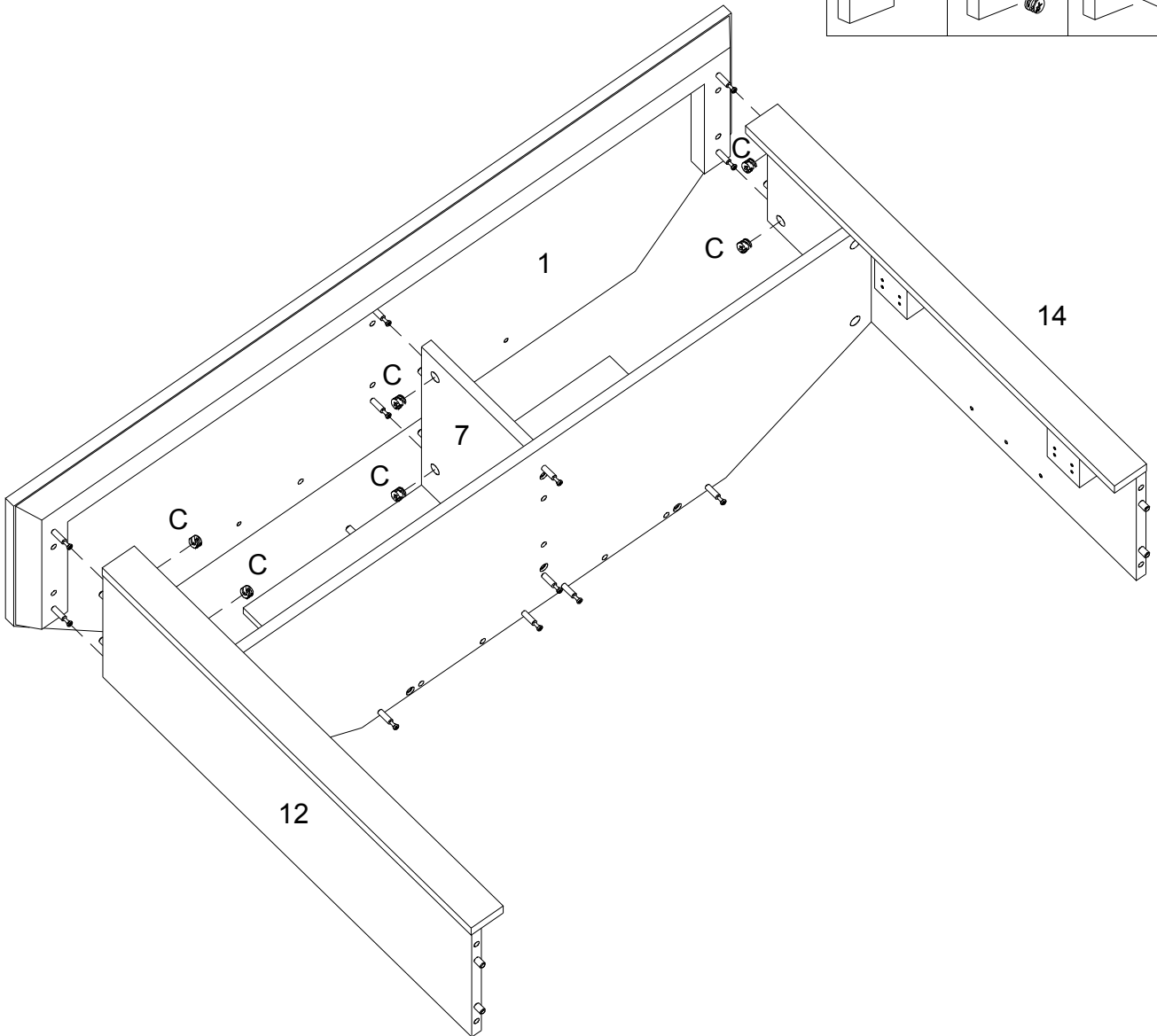
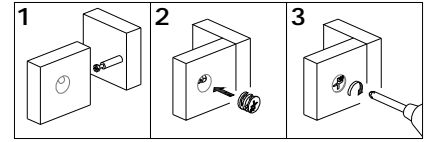
Using cam lock (C) secure part (2) to part (12) with Philips head screwdriver as per diagram.

Step 7



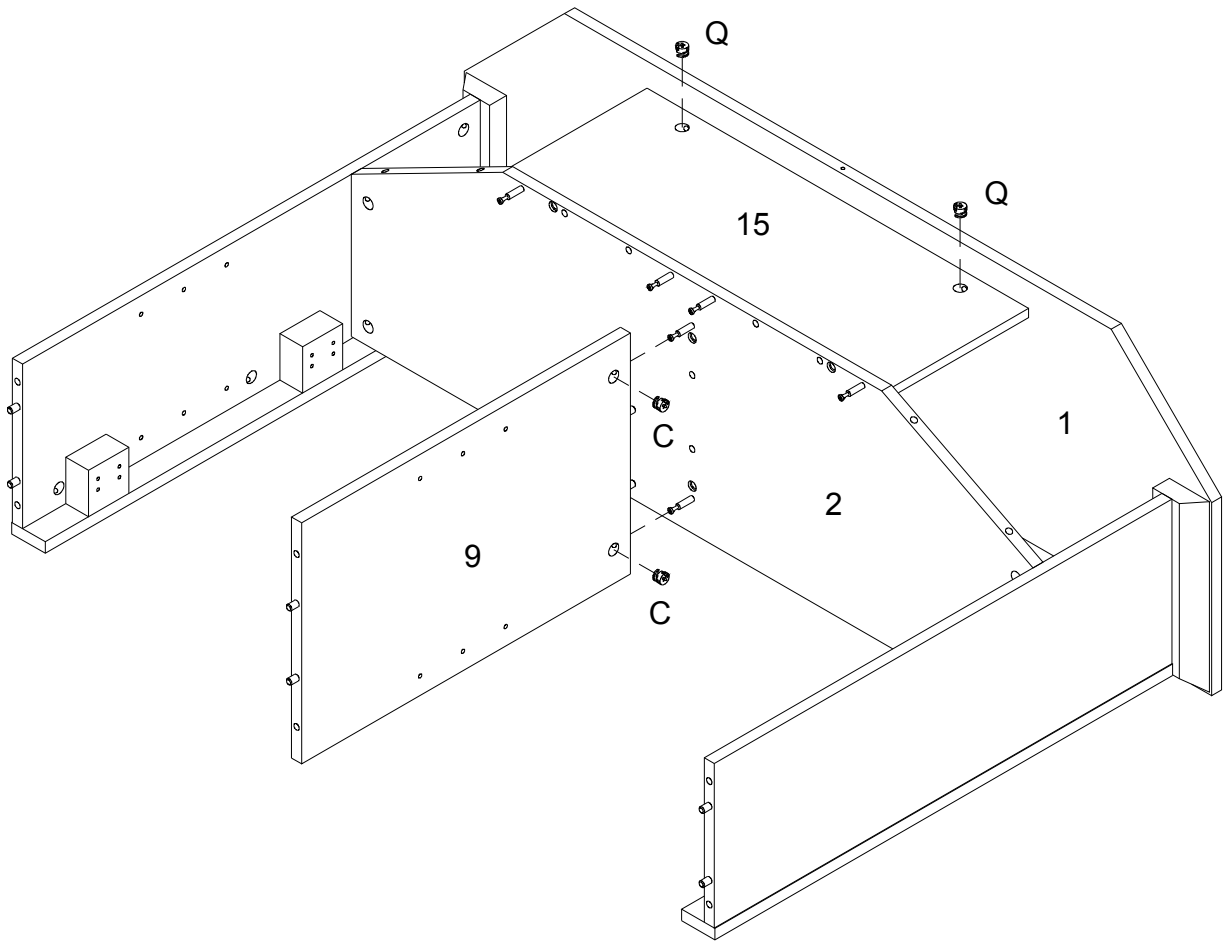
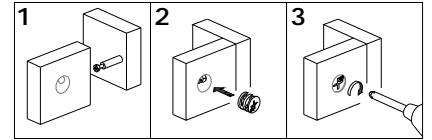
Using cam lock (C) secure part (2) to part (14) with Philips head screwdriver as per diagram.

Step 8



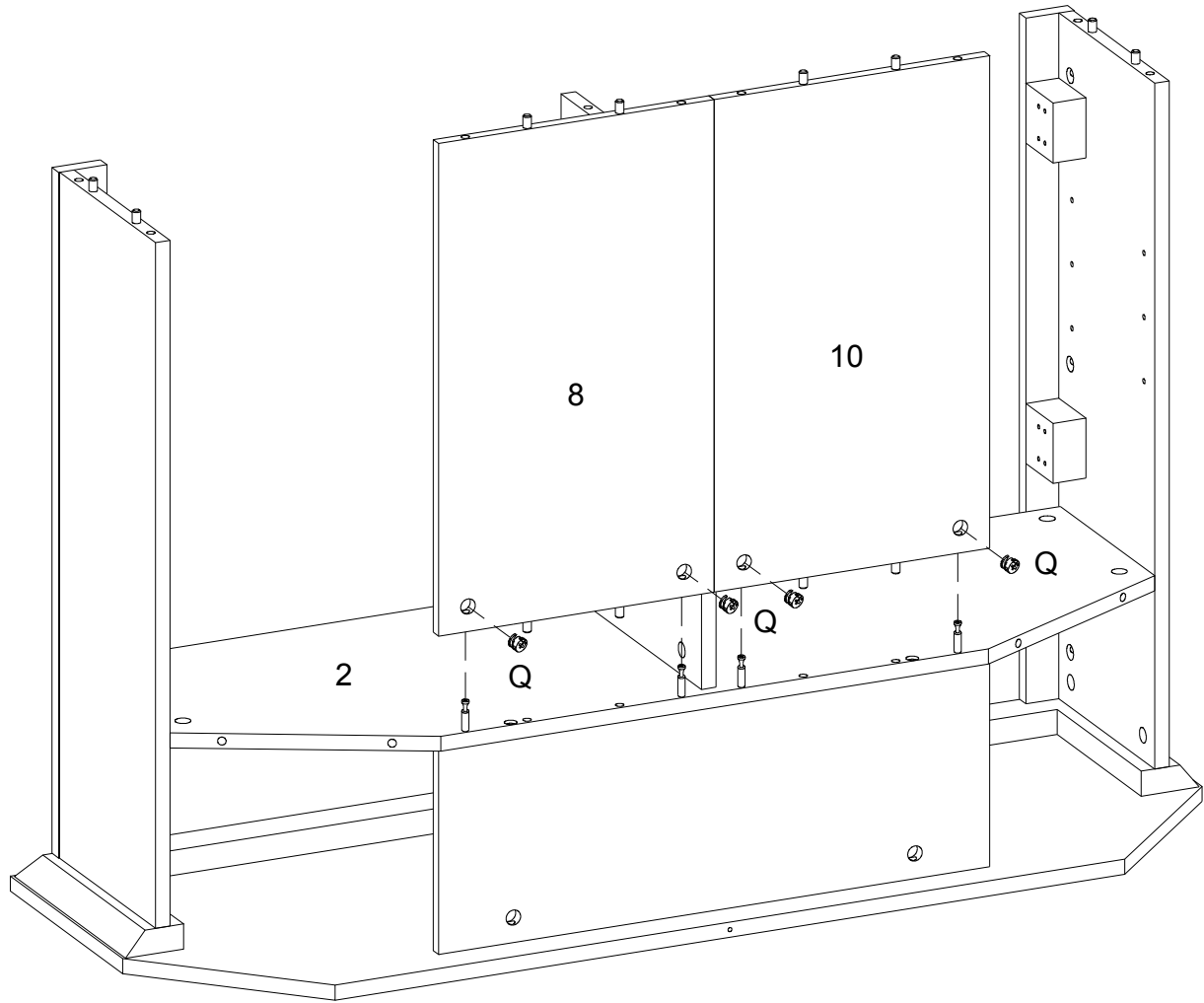
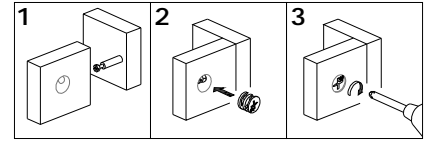
Place part (1) cover parts (7,12,14),then using cam lock secure them with Philips head screwdriver as per diagram .

Step 9



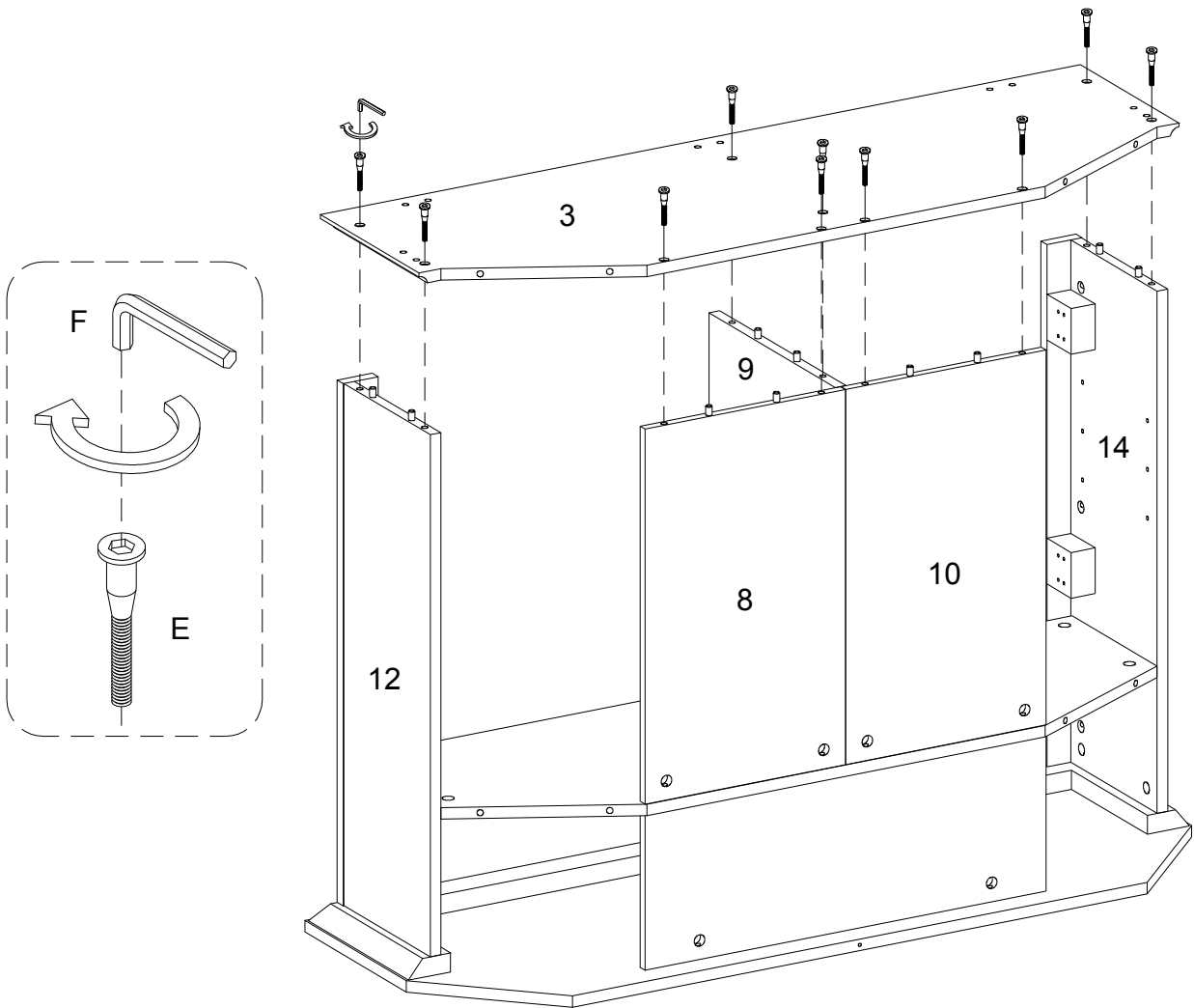
Using cam lock (Q) secure part (15) to part (1) , then using cam lock (C) secure part (9) to part (2) with Philips head screwdriver as per diagram.

Step 10



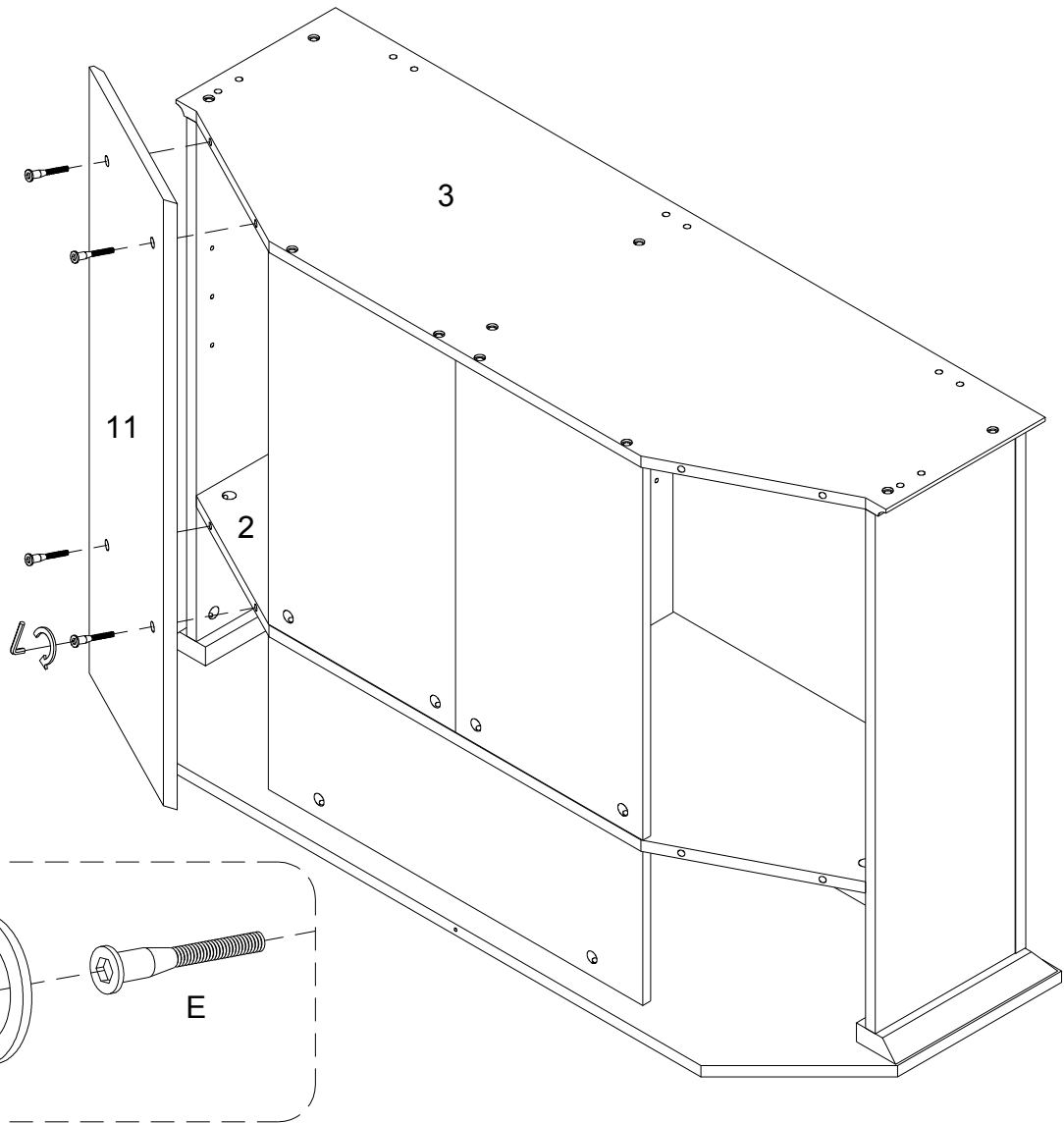
Using cam lock (Q) secure parts (8,10) to part (2) with Philips head screwdriver as per diagram.

Step 11



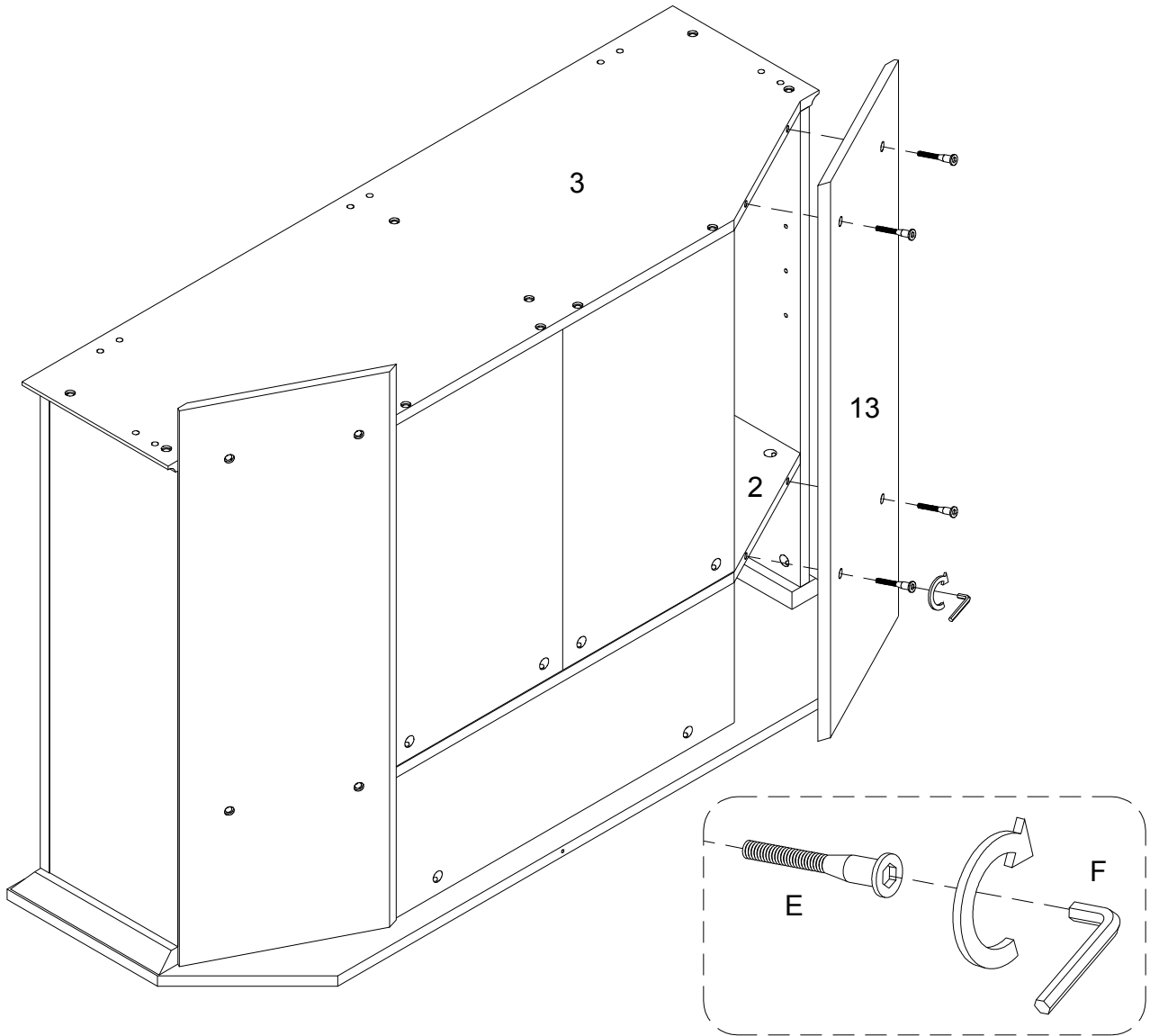
Using screw (E) secure part (3) to parts (8,10,12,14) with hex key (F) as per diagram.

Step 12



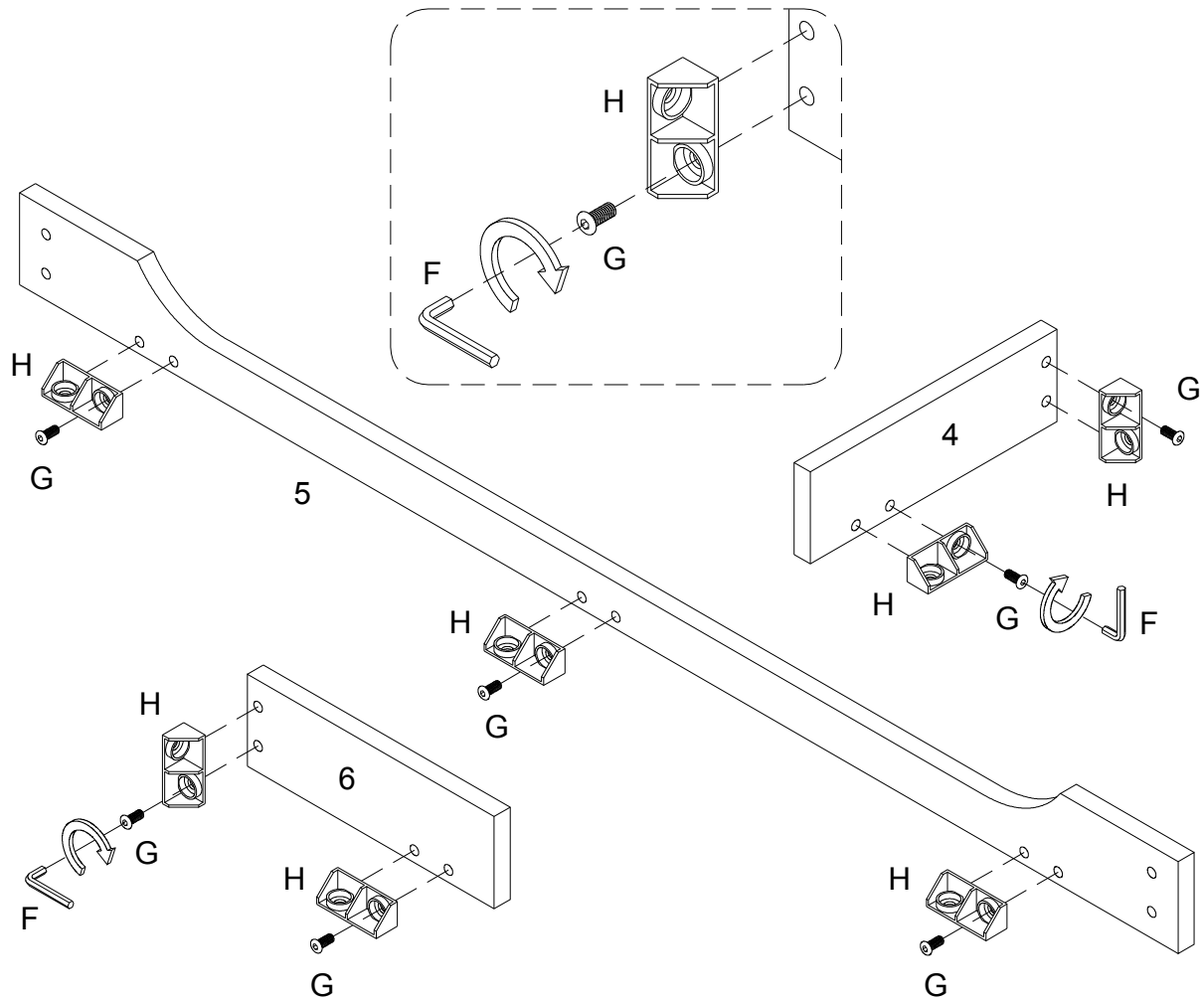
Using screw (E) secure part (11) to parts (2,3) with hex key (F) as per diagram.

Step 13



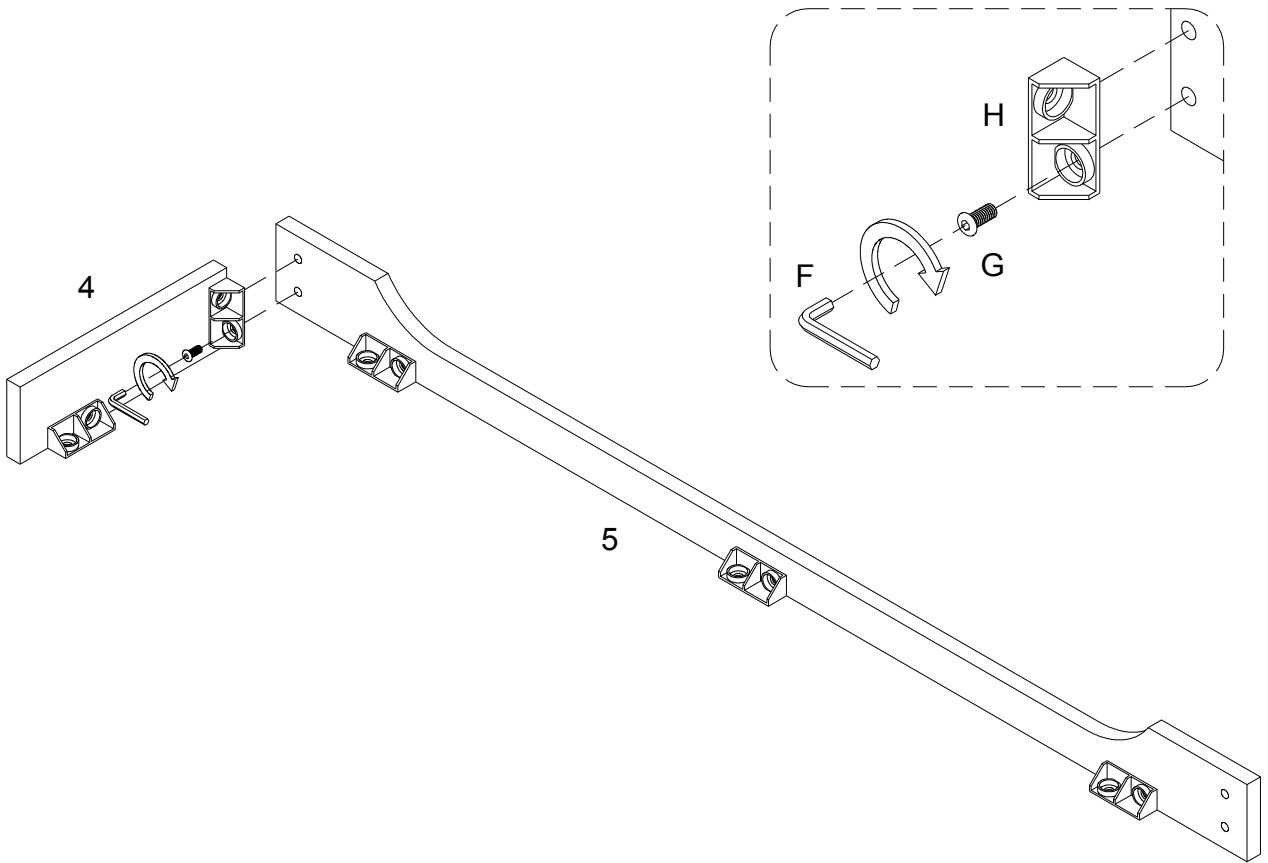
Using screw (E) secure part (13) to parts (2,3) with hex key (F) as per diagram.

Step 14



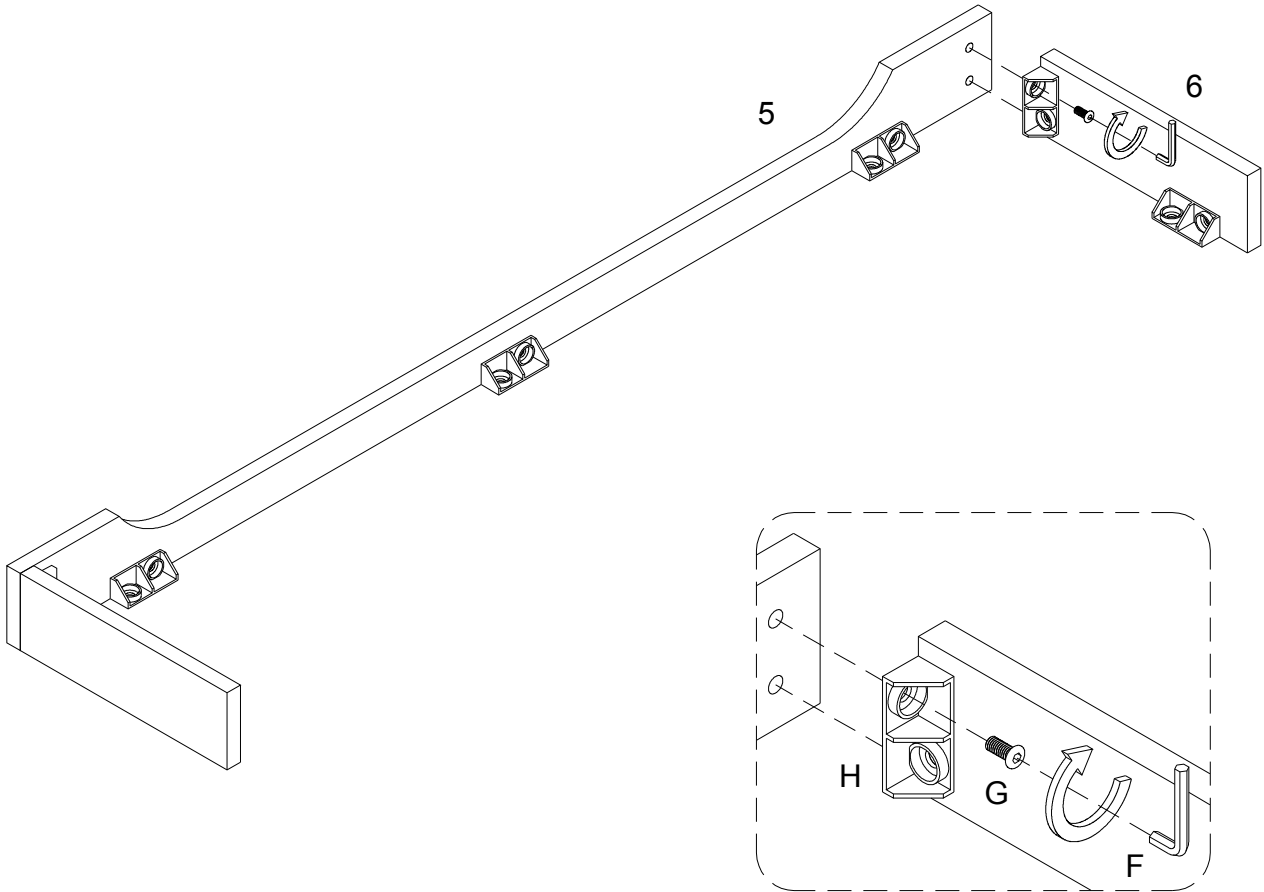
Using bolt (G) secure plastic wedge (H) to parts (4,5,6) with hex key (F) as per diagram.

Step 15



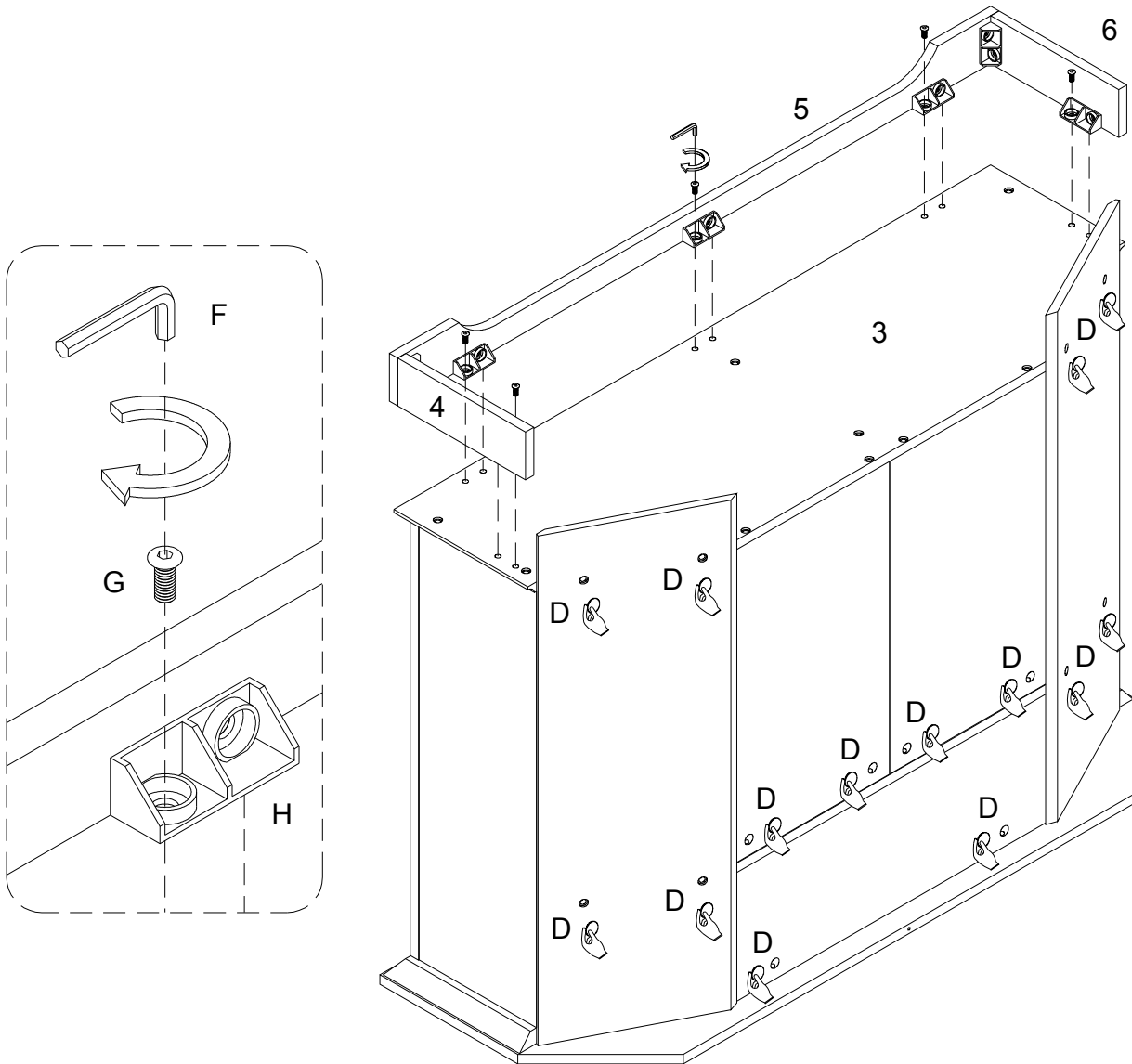
Using bolt (G) secure plastic wedge (H) to part (4) to part (5) with hex key (F) as per diagram.

Step 16



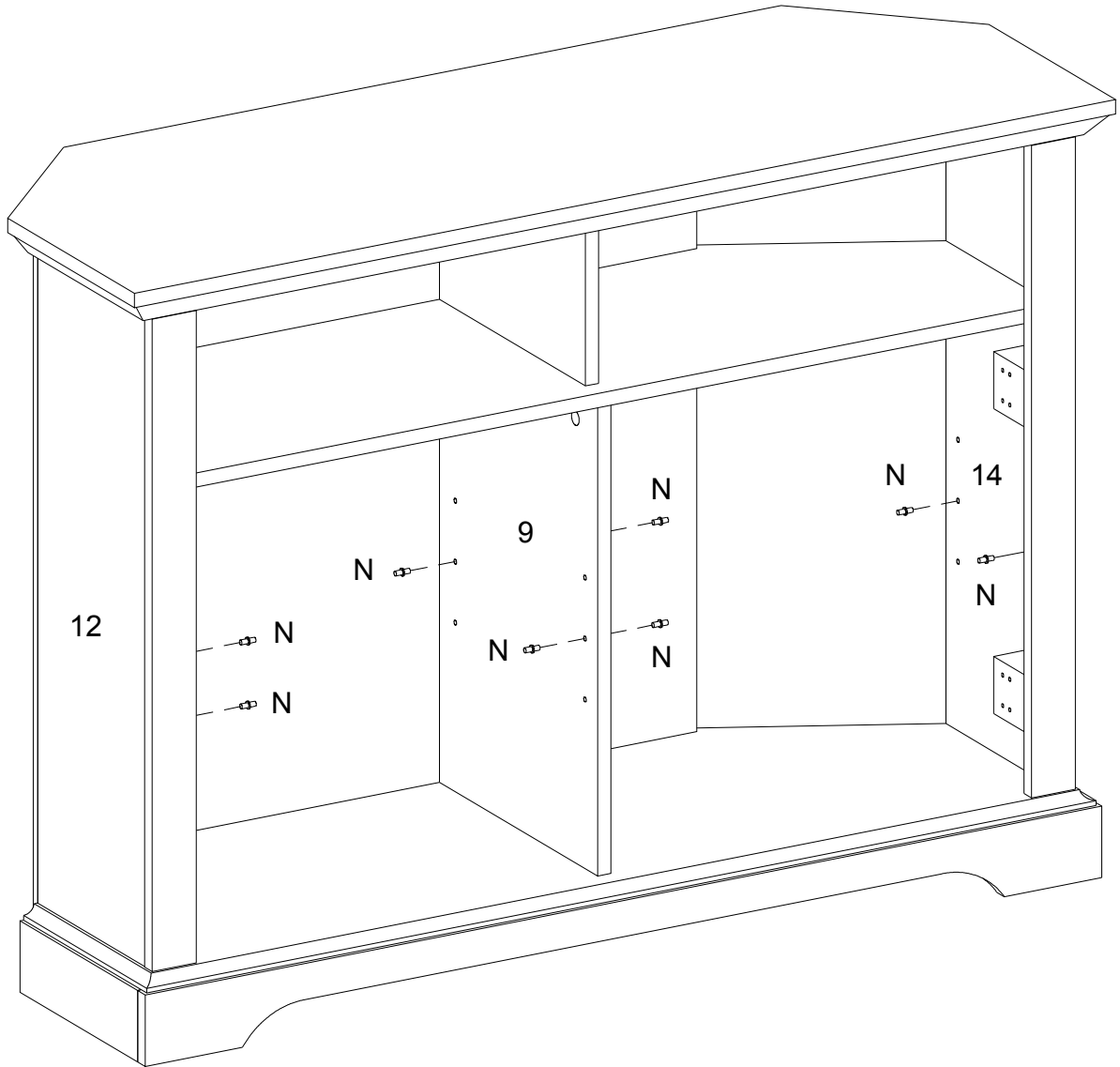
Using bolt (G) secure plastic wedge (H) to parts (4,5,6) with hex key (F) as per diagram.

Step 17



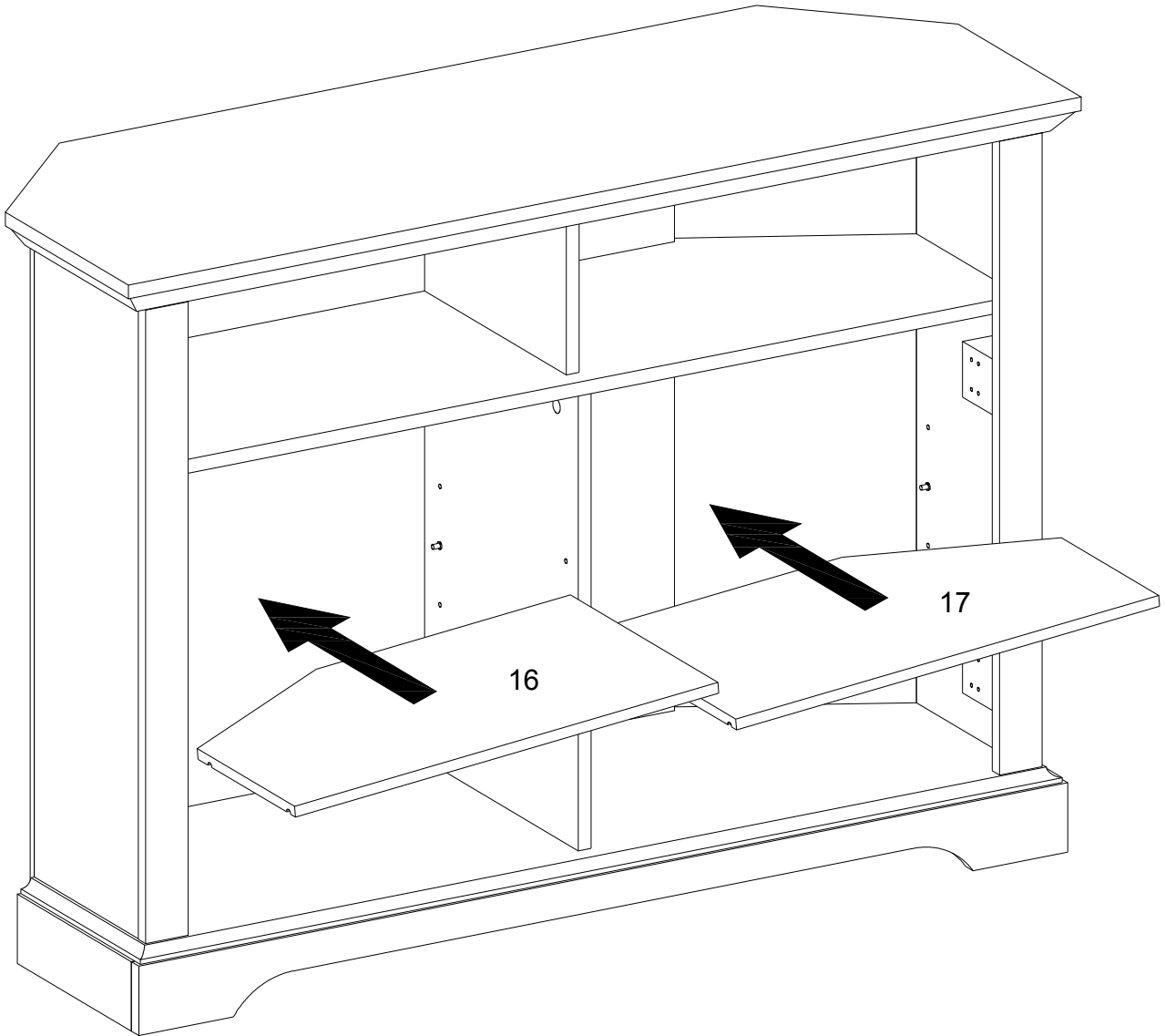
Using bolt (G) secure parts (4,5,6) to part (3) with hex key (F) ,then place sticker (D) cover the holes as per diagram.

Step 18



Insert shelf support pin (N) to parts (9,12,14) as per diagram.

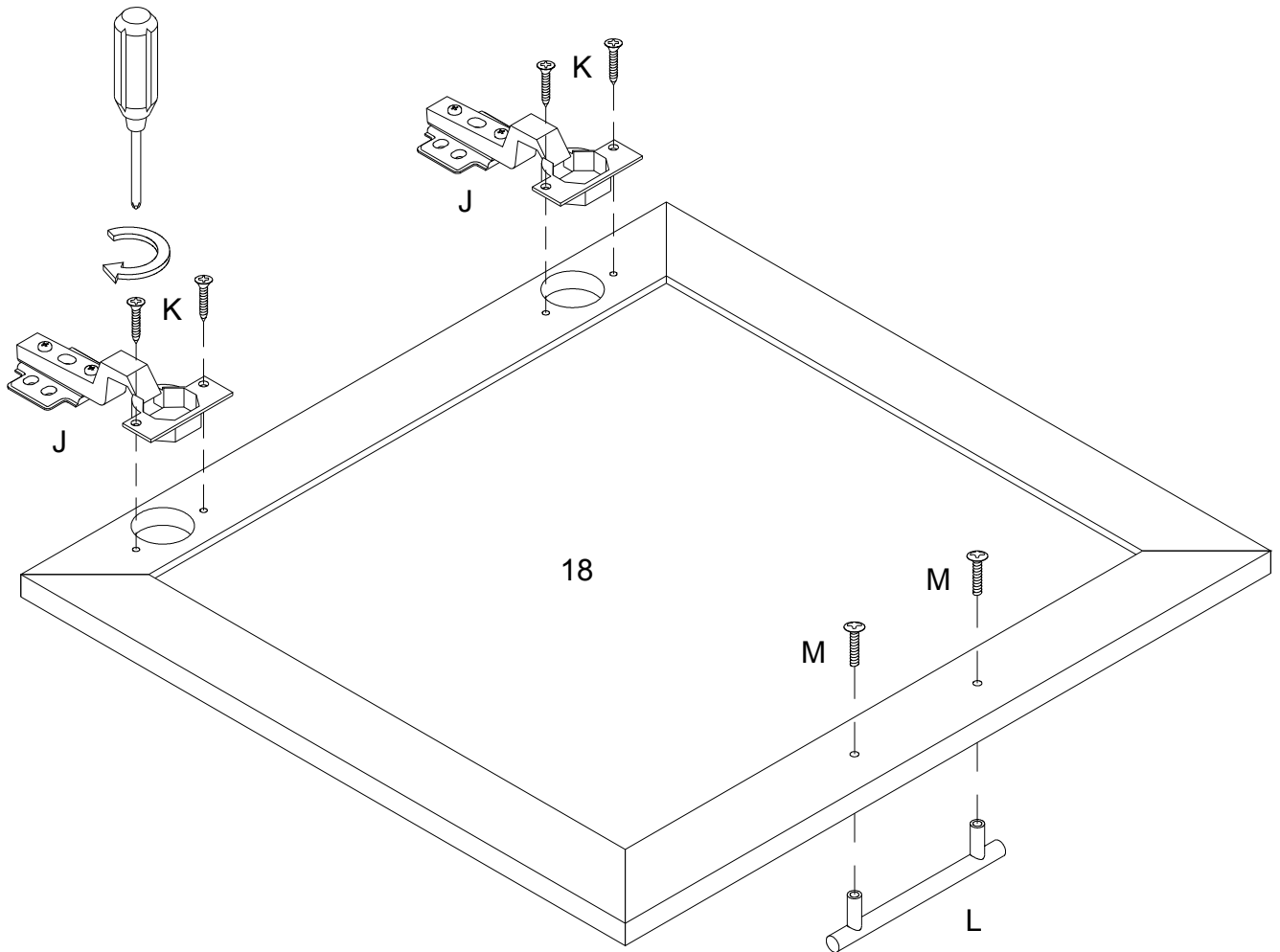
Step 19



Insert parts (16,17) to shelf as per diagram.

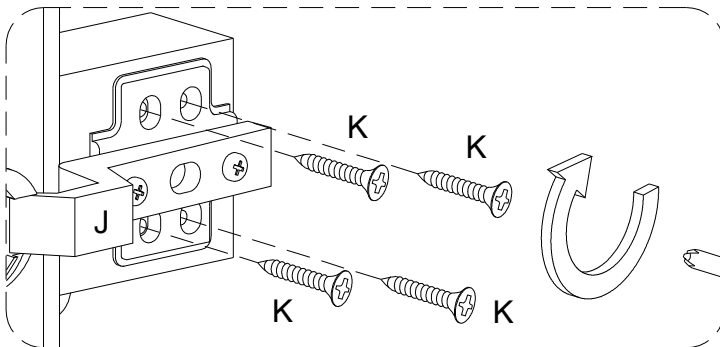
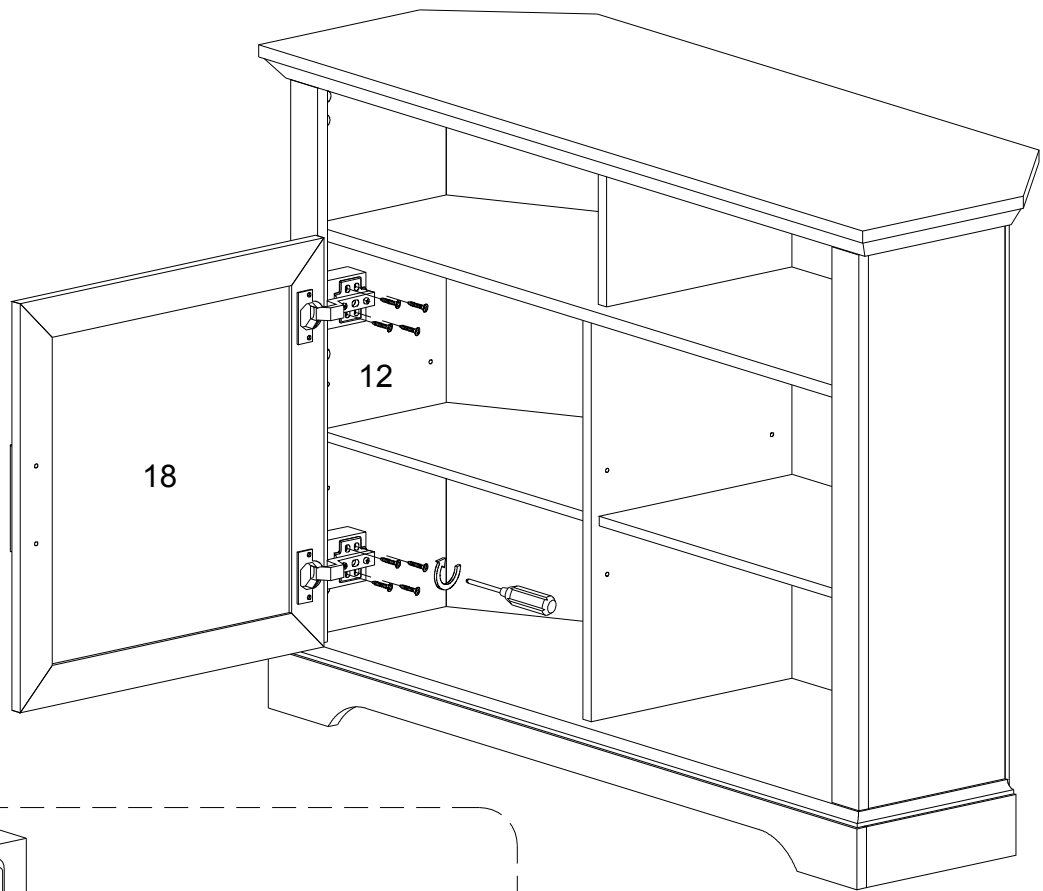
Step 20

x 2



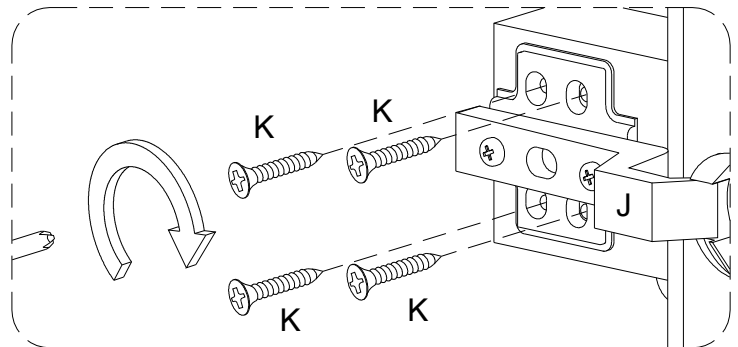
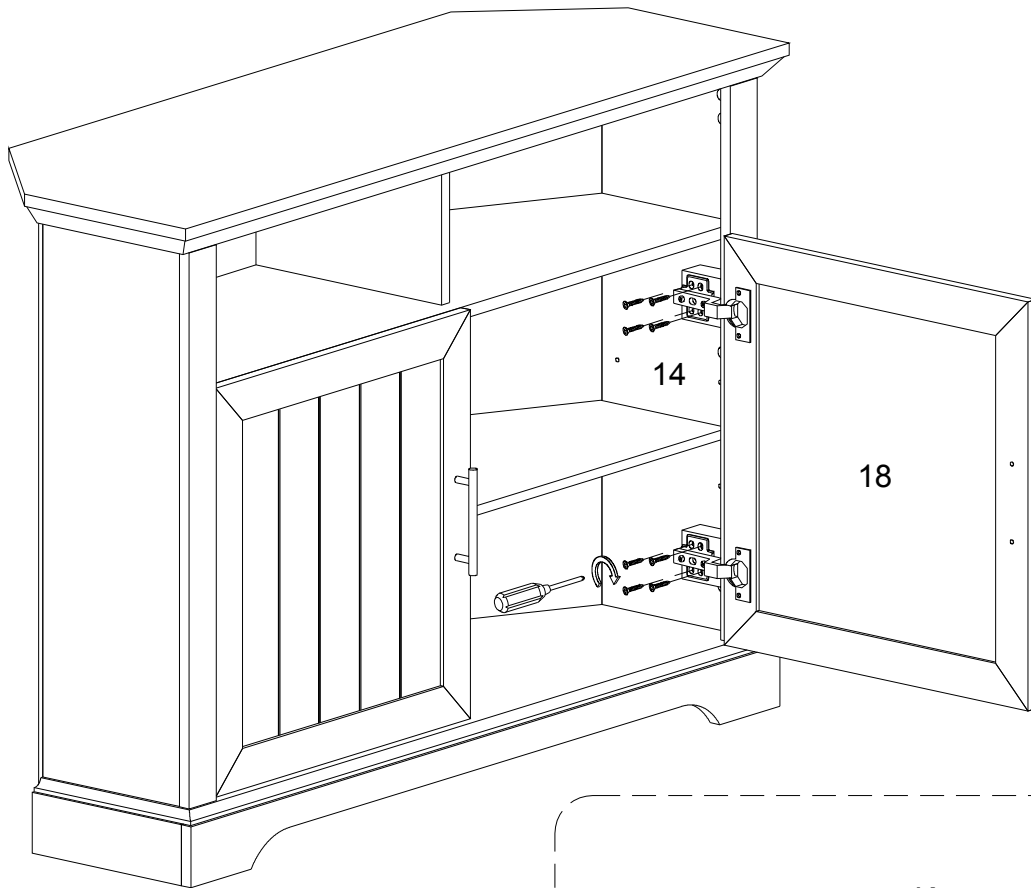
Using screw (K) secure west hinge (J) to part (18) with Philips head screwdriver , then using bolt (M) secure part (18) to knob as per diagram.

Step 21



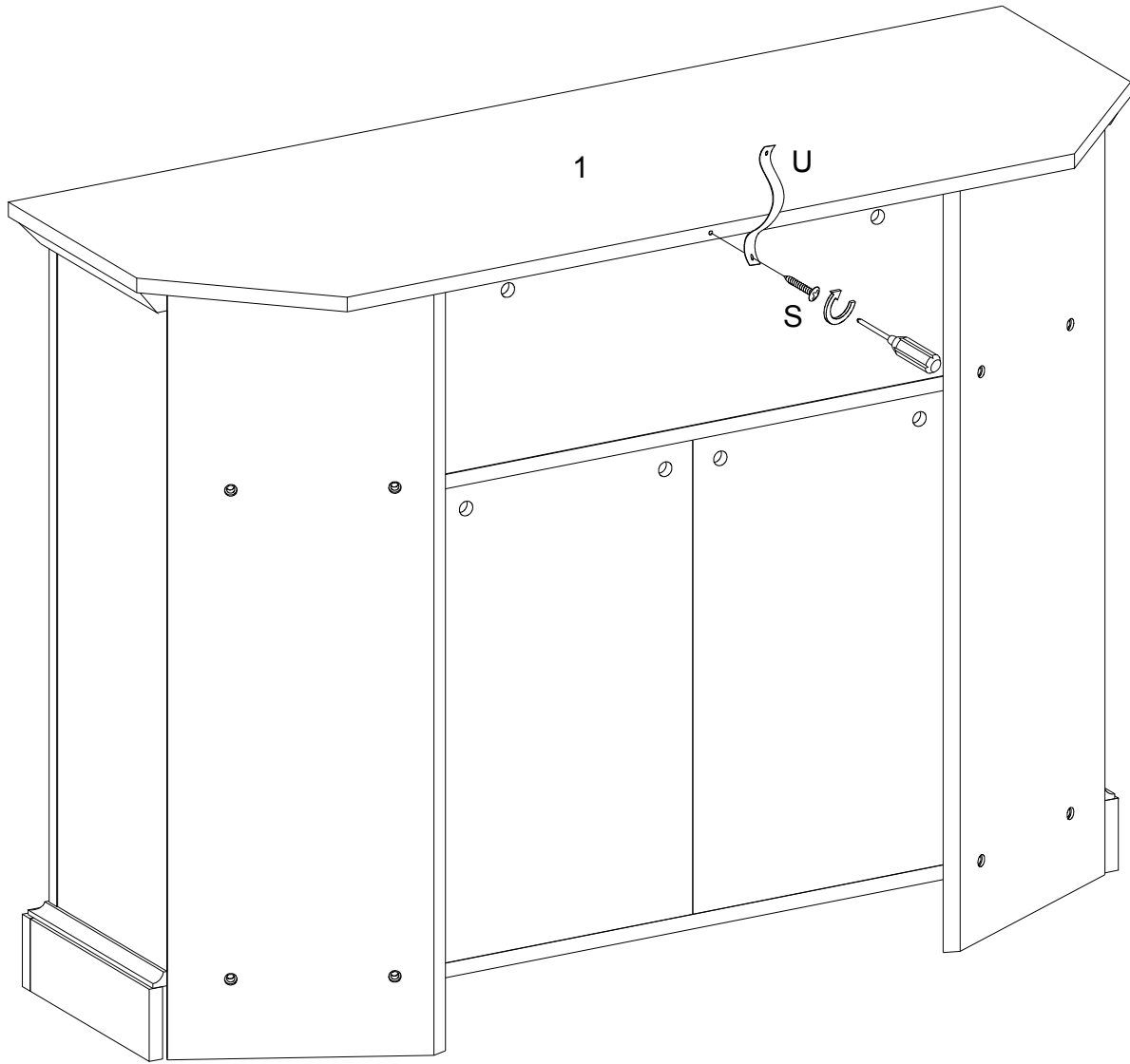
Using screw (K) secure west hinge (J) to part (18) to part (12) with Philips head screwdriver as per diagram.

Step 22



Using screw (K) secure west hinge (J) to part (18) to part (14) with Philips head screwdriver as per diagram.

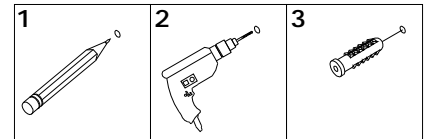
Step 23



Using screw (S) secure plastic strap (U) to part (1) with Philips head screwdriver as per diagram.

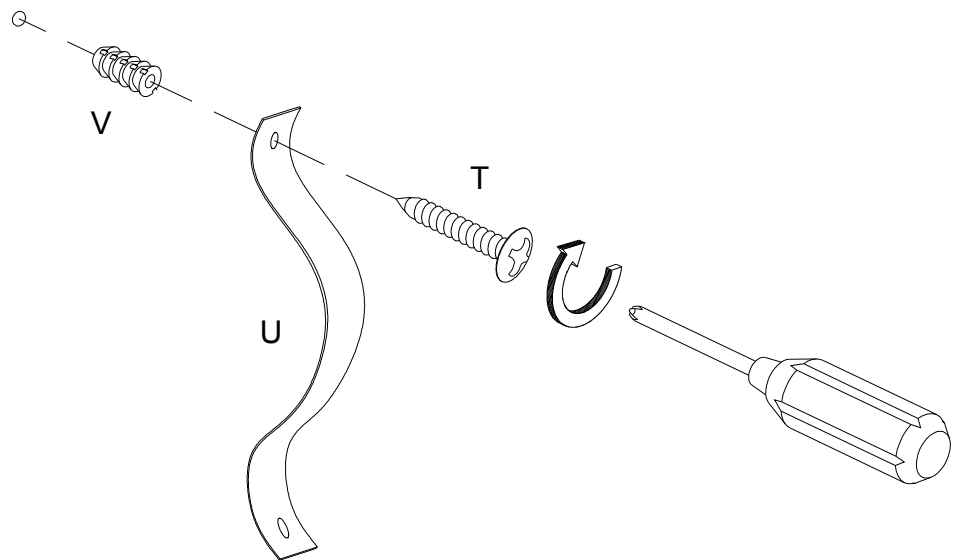
Step 24

WARNING



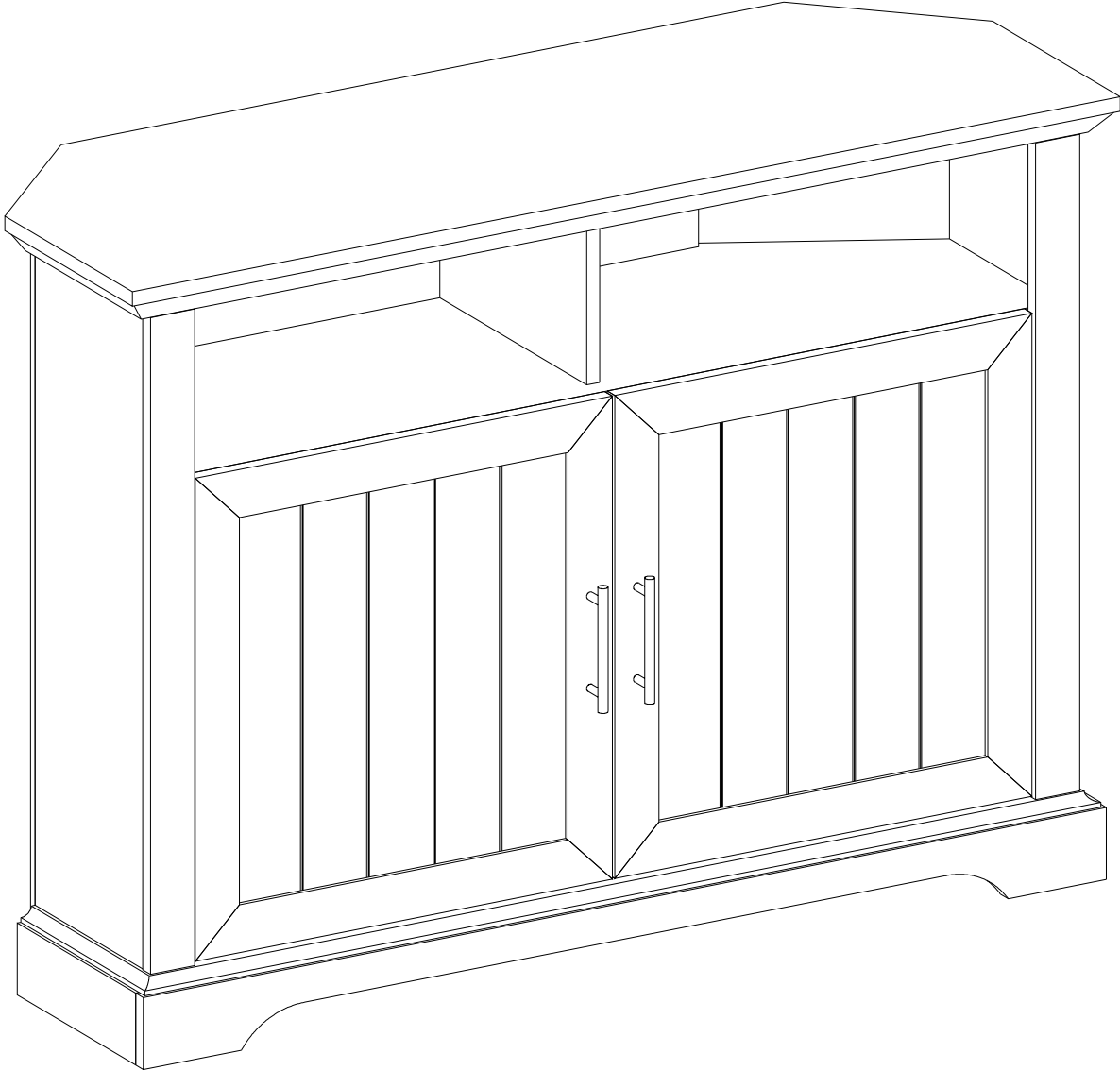
Serious or fatal injuries can occur from furniture tipping over. To prevent the furniture from tipping over we recommend that it is permanently fixed to the wall. Wall anchor and hardware are included with this product. Please make sure hardware is suitable for your walls before installing, as different wall materials may require different types of anchors.

Wall



Using screw (T) secure plastic strap (U) into nut (V) to wall with Philips head screwdriver as per diagram.

Step 25



Final Assembly