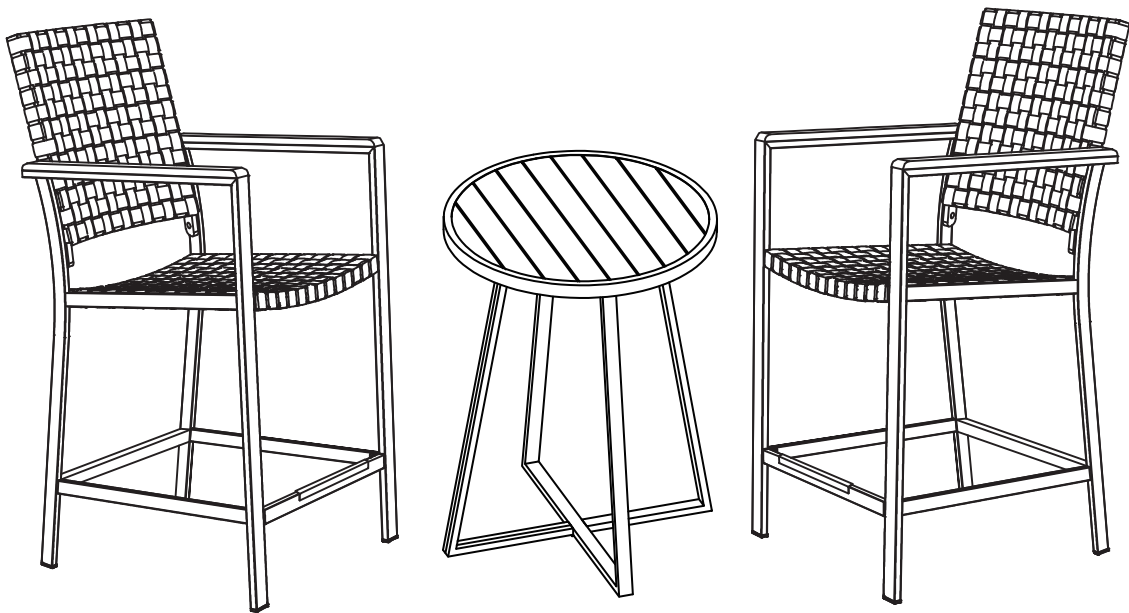


3pcs Bar Set

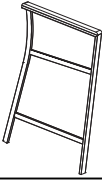

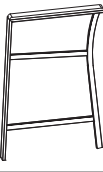
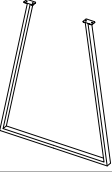
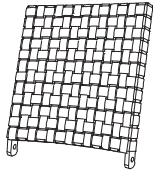
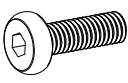
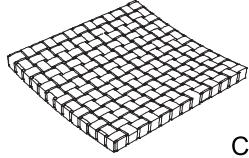
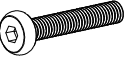
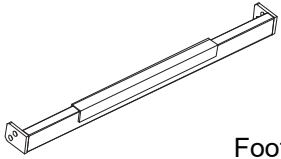

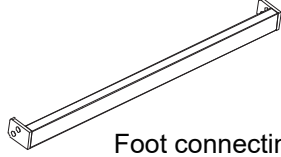

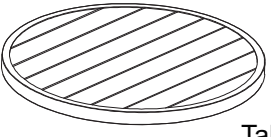

Assembly & Care instructions



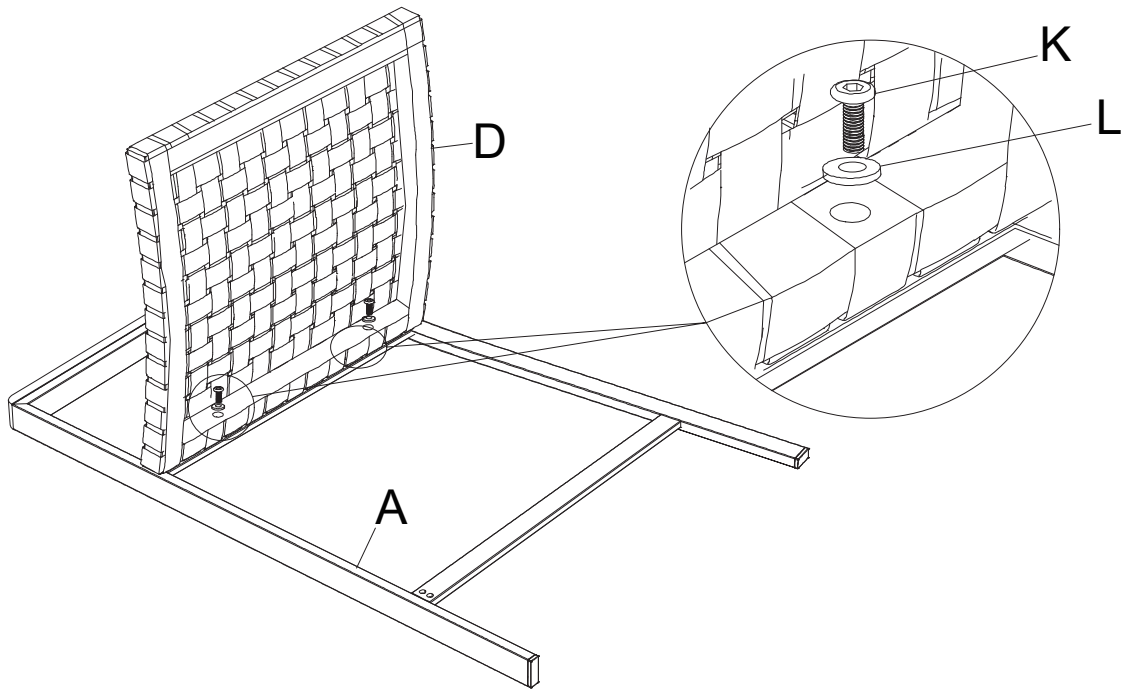
Warning

1. This set is mixed packed into 1 box .
2. Pls confirm all parts correct before assemble.
3. Do not tighten fastening fully until assembly is completed.
4. **DO NOT USE POWER TOOLS.** Power tools can overtighten screws and strip threads.
5. Please read & retain this manual for future reference.
6. Maximum Load: Chair 350lbs & Table125lbs.

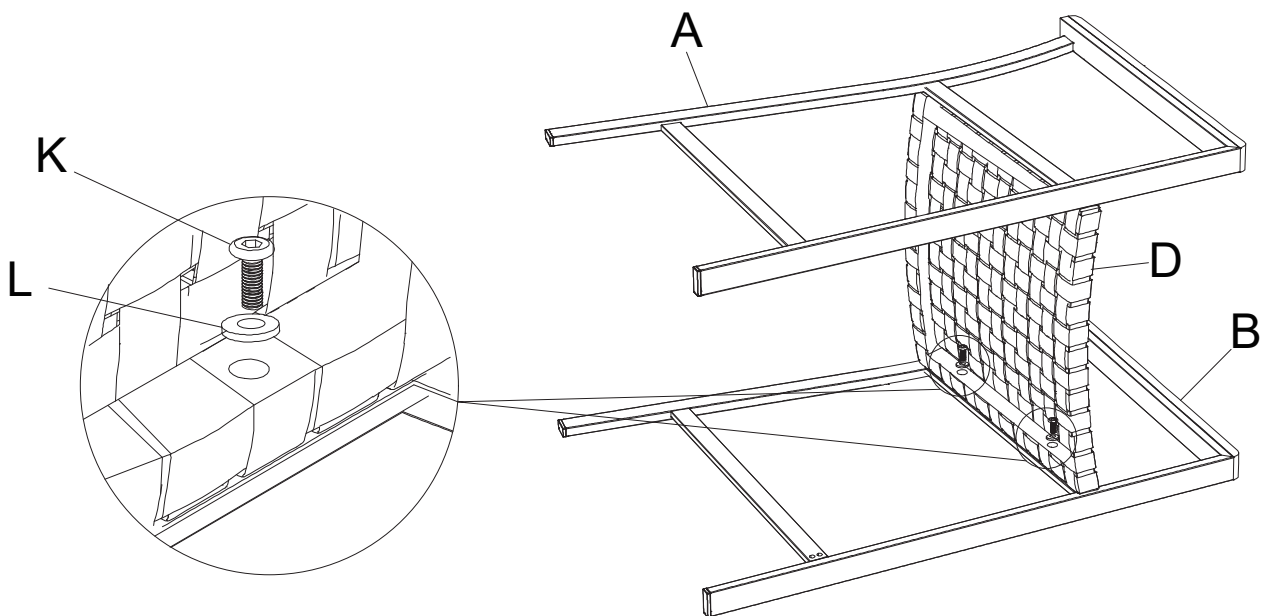
PARTS LIST

CODE	PARTS	QTY.	CODE	PARTS	QTY.
A	 Armrest-R	2pcs	H	 Table leg	2pcs
B	 Armrest-L	2pcs	I	 Table leg-1	1pcs
C	 Chair Back	2pcs	J	 M6*15mm	32pcs
D	 Chair Seat	2pcs	K	 M6x30mm	12pcs
E	 Foot bar	2pcs	L	 Washer Ø6*14	44pcs
F	 Foot connecting rod	2pcs	M	 Allen Key	1pcs
G	 Table Top	1pcs	N	 Bolt Cap (M6)	44pcs

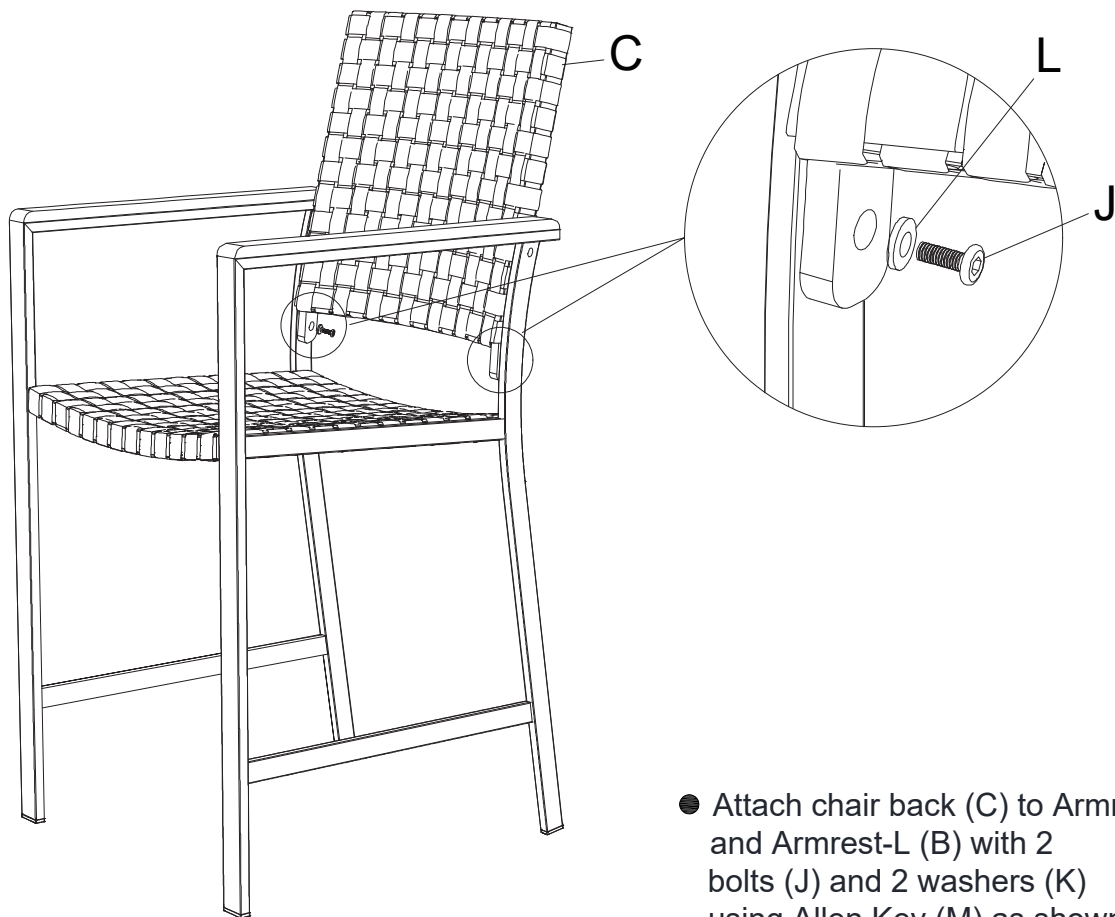
ATTENTION: Do not fully tighten until assembly is complete!



- Attach Armrest-R (A) to chair Seat (D) with 2 bolts (K) and 2 washers (L) using Allen Key (M) as shown.

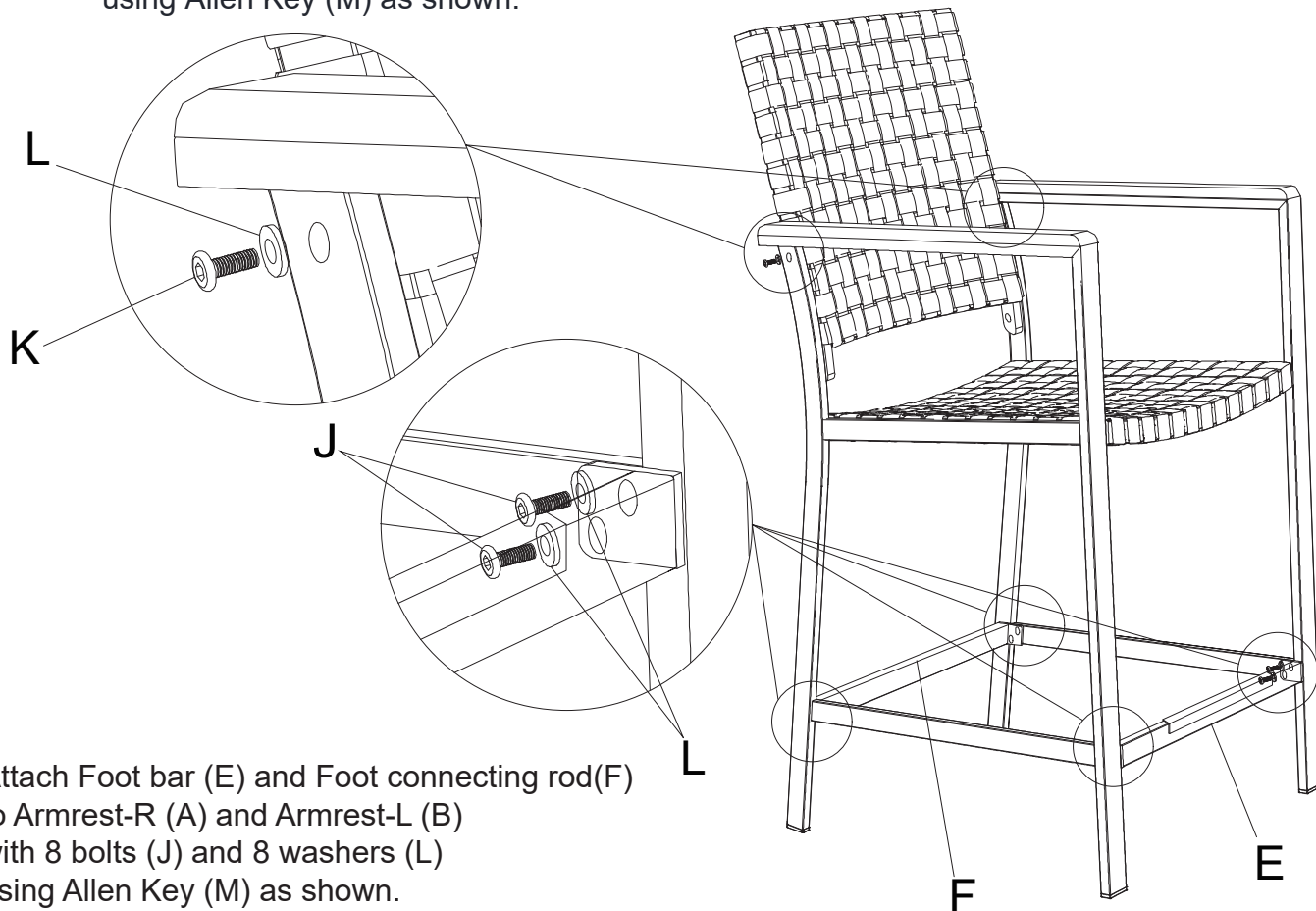


- Attach Armrest-L (B) to chair Seat (D) with 2 bolts (K) and 2 washers (L) using Allen Key (M) as shown.

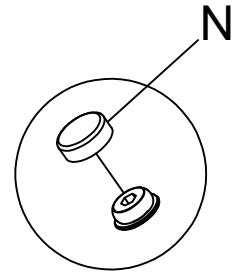
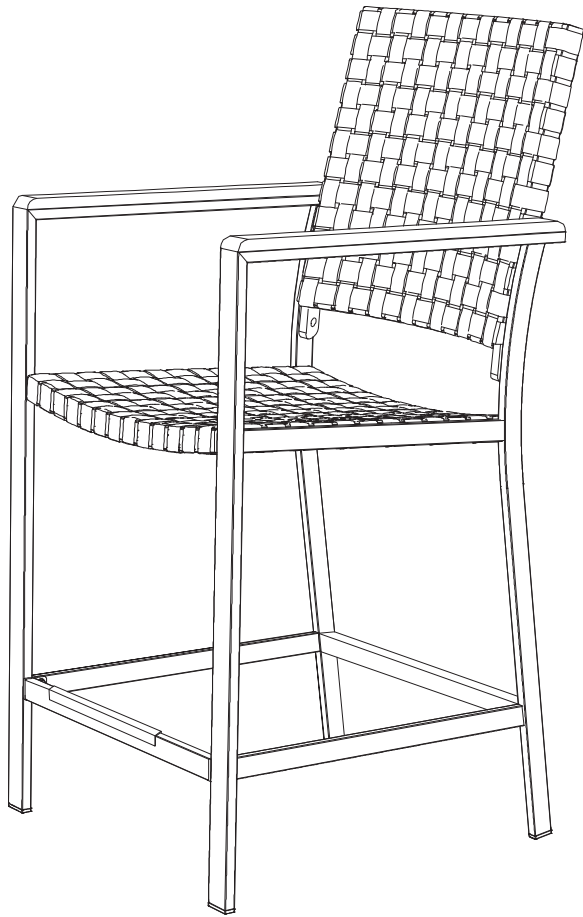


- Attach chair back (C) to Armrest-R (A) and Armrest-L (B) with 2 bolts (J) and 2 washers (K) using Allen Key (M) as shown.

- Attach chair back (C) to Armrest-R (A) and Armrest-L (B) with 2 bolts (K) and 2 washers (L) using Allen Key (M) as shown.

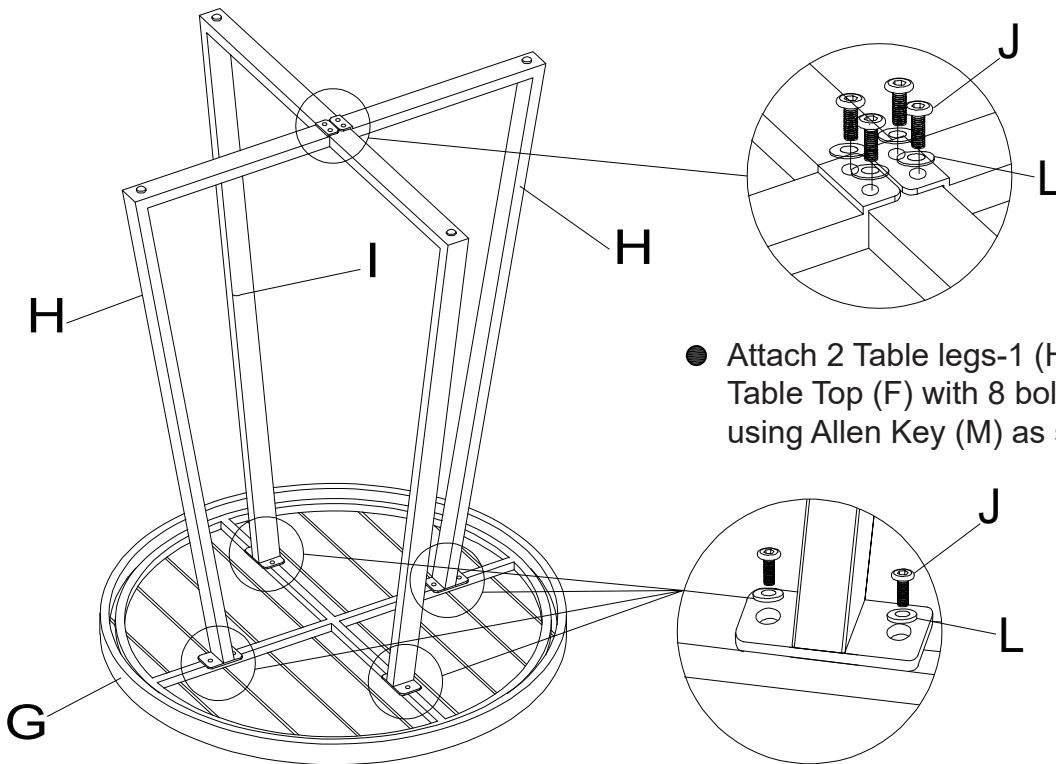


- Attach Foot bar (E) and Foot connecting rod (F) to Armrest-R (A) and Armrest-L (B) with 8 bolts (J) and 8 washers (L) using Allen Key (M) as shown.



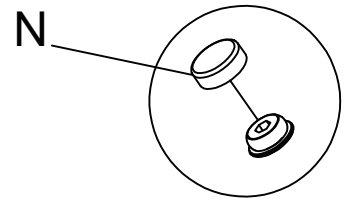
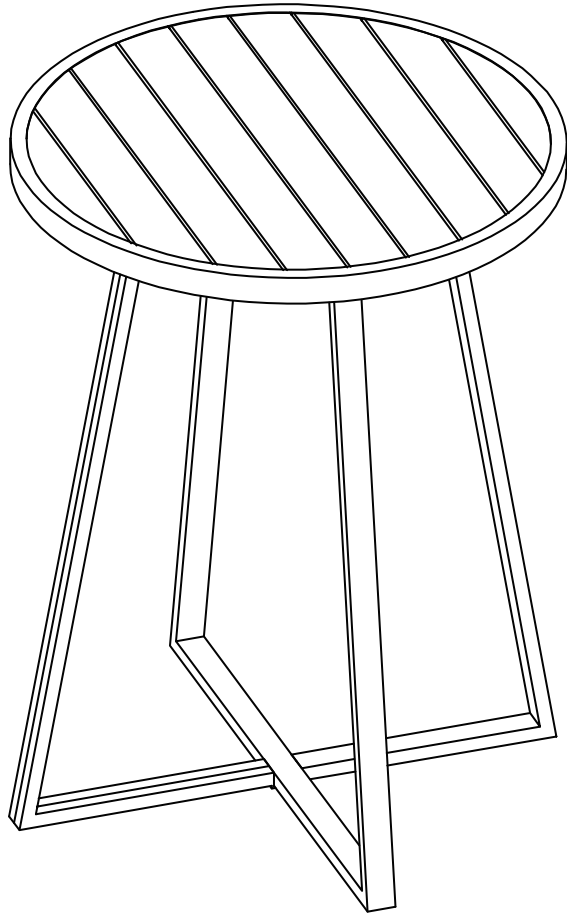
- Once all bolts have been inserted and started, then tighten all bolts and put on all bolt caps (N).

ATTENTION: Do not fully tighten until assembly is complete!



- Attach 2 Table legs-1 (H) and Table legs (I) to Table Top (F) with 8 bolts (J) and 8 washers (K) using Allen Key (M) as shown.

- Attach 2 Table legs-1 (H) to Table legs (I) with 4 bolts (J) and 4 washers (K) using Allen Key (M) as shown.



- Once all bolts have been inserted and started, then tighten all bolts and put on all bolt caps (N).
- Level the table with adjustable feet cap if necessary.

! **WARNING:** This product can expose you to chemicals including Di(2-ethylhexyl) phthalate (DEHP), which is known to the State of California to cause cancer, and birth defects or other reproductive harm. For more information go to www.P65Warnings.ca.gov.