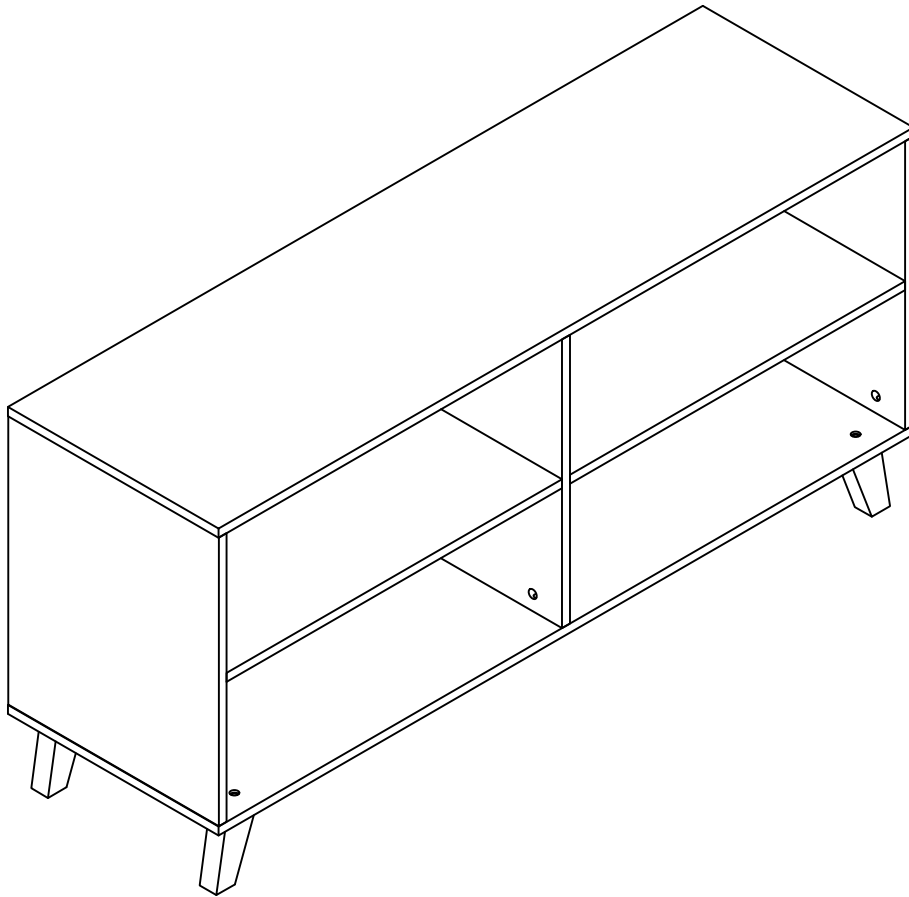
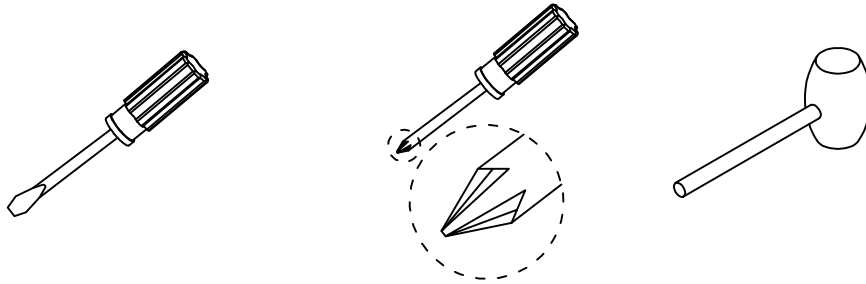


ASSEMBLY INSTRUCTIONS

Sideboard cabinet

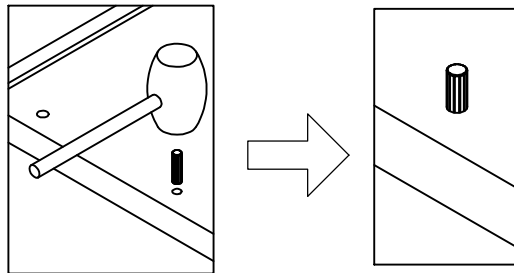


ASSEMBLY TOOLS REQUIRED (NOT INCLUDED)

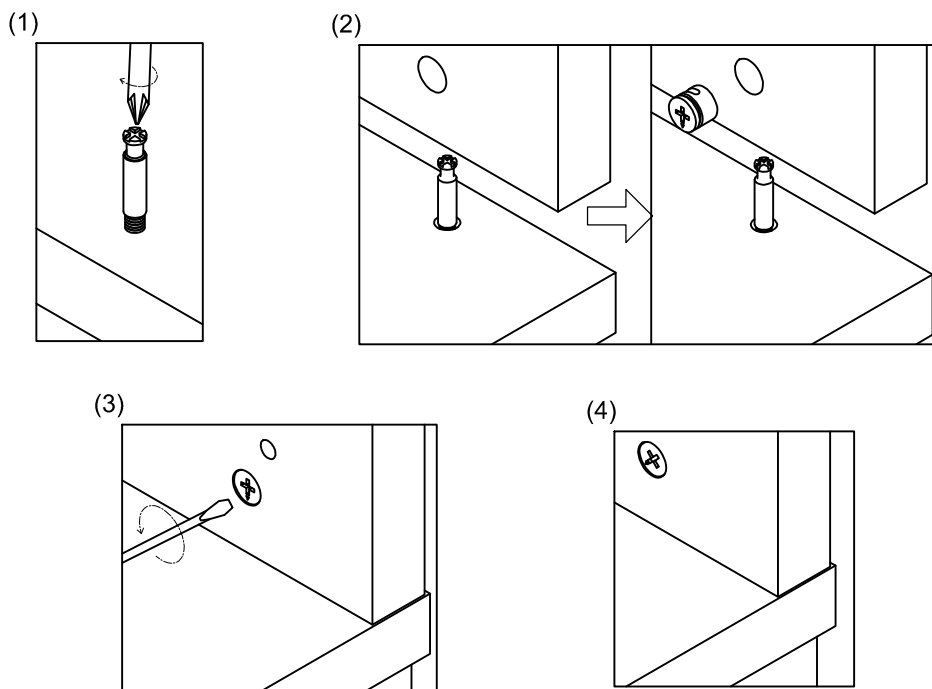


WOODEN DOWEL INSTALLATION PROCEDURE

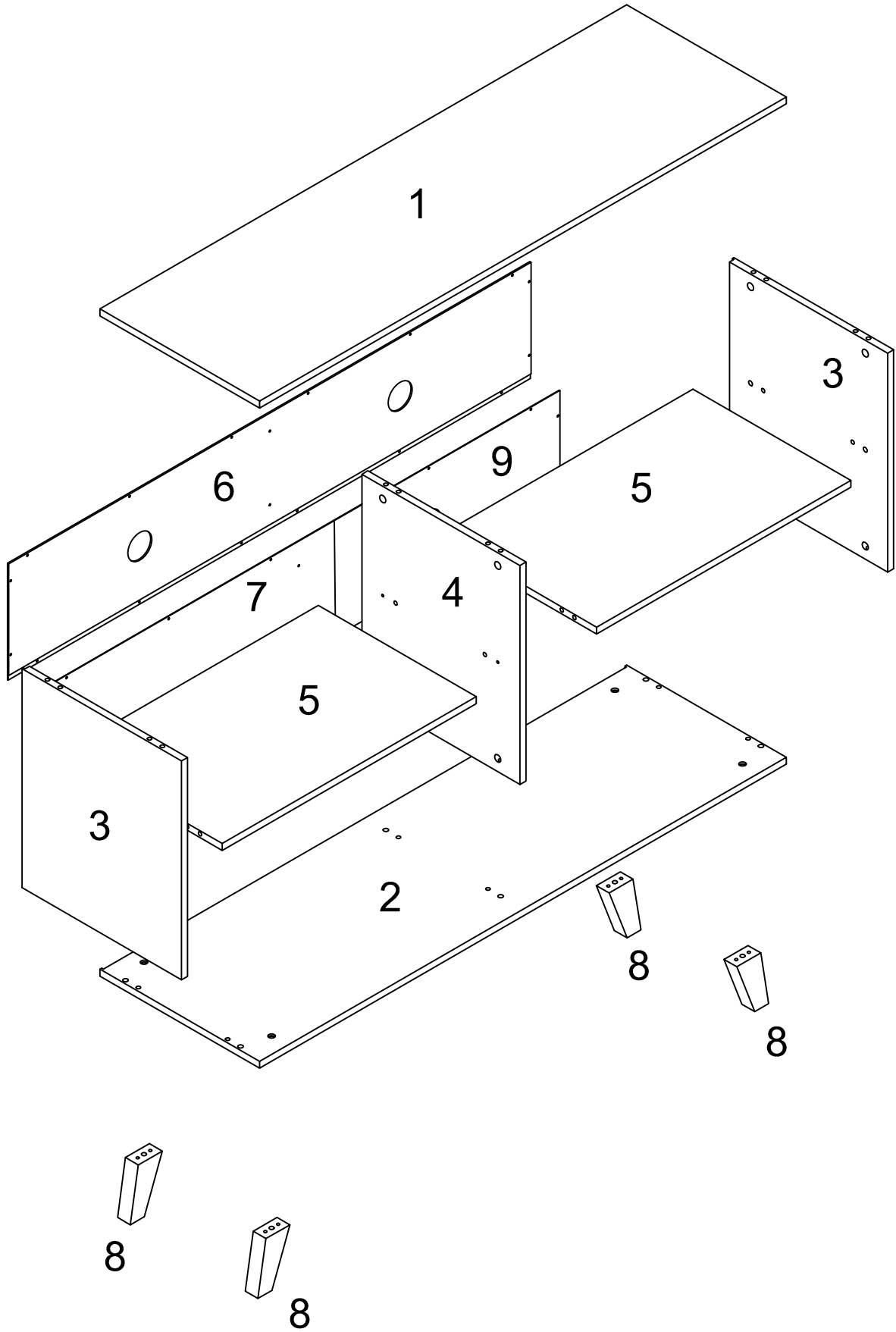
Gently tap dowel into hole with rubber mallet





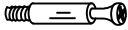

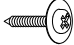

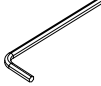



HIDDEN CONNECTOR.....ASSEMBLY TECHNIQUES



Parts List

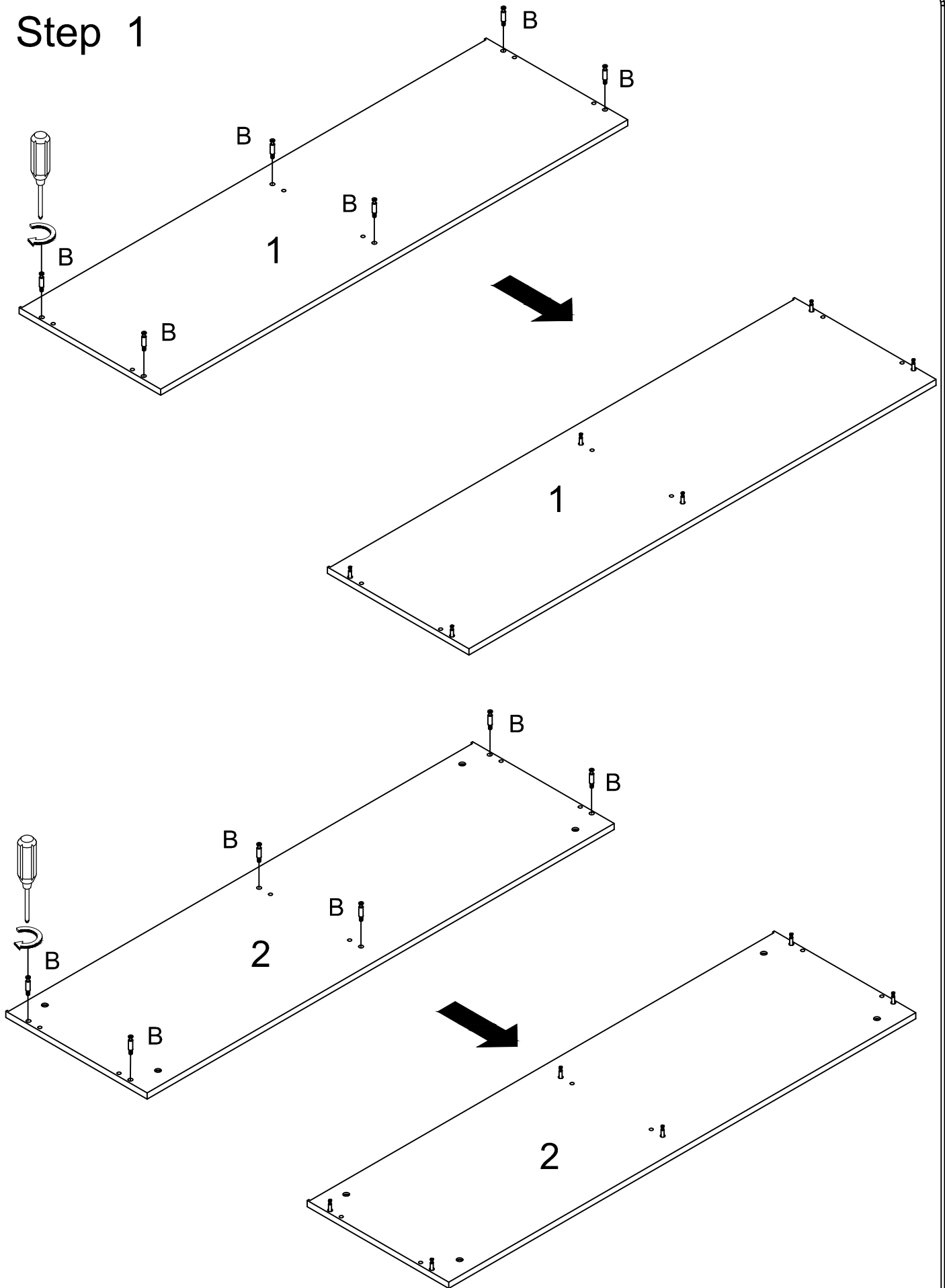


Hardware List

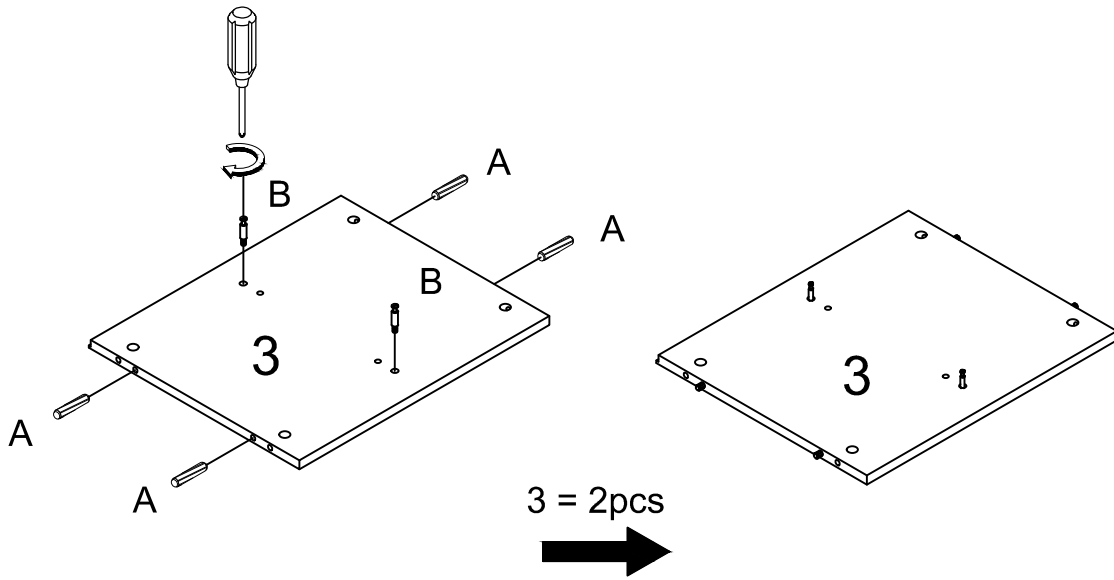
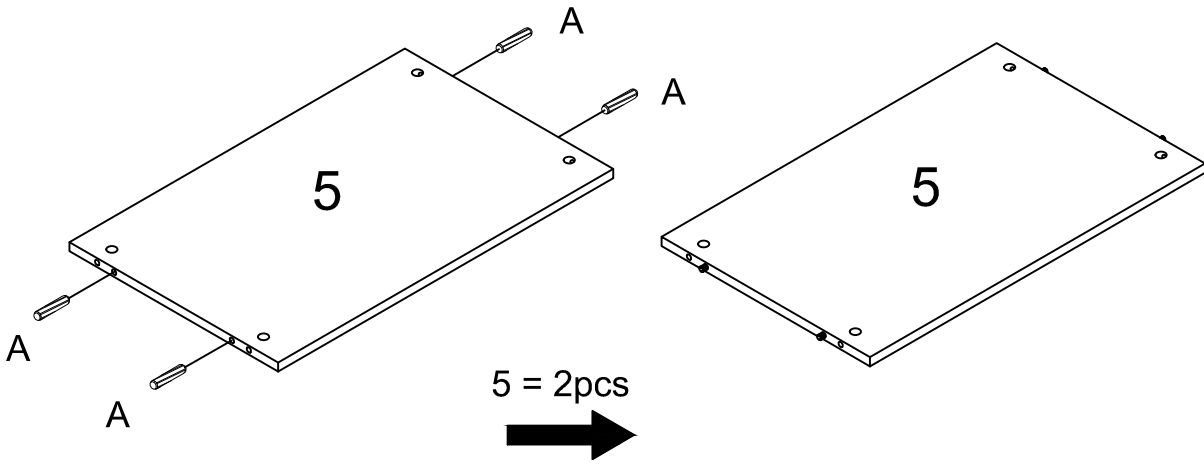
A		Ø8x30	Large wooden dowel	20 pcs
K		Ø6x30	Large wooden dowel	8 pcs
B		Ø6x32	Cam bolt	16 pcs
C		Ø15x9.5	Cam lock	20 pcs
D		Ø3*14	Screw	30 pcs
E		Ø30	Sticker	24 pcs
G			Hexagon socket key	1 pc
H		M6*35(mm)	Bolt	4 pcs
I			Washer	4 pcs
J		Ø8x32	Cam bolt	4 pcs

*The hardware quantities listed above are required for proper assembly.
Some extra hardware may also have been included.*

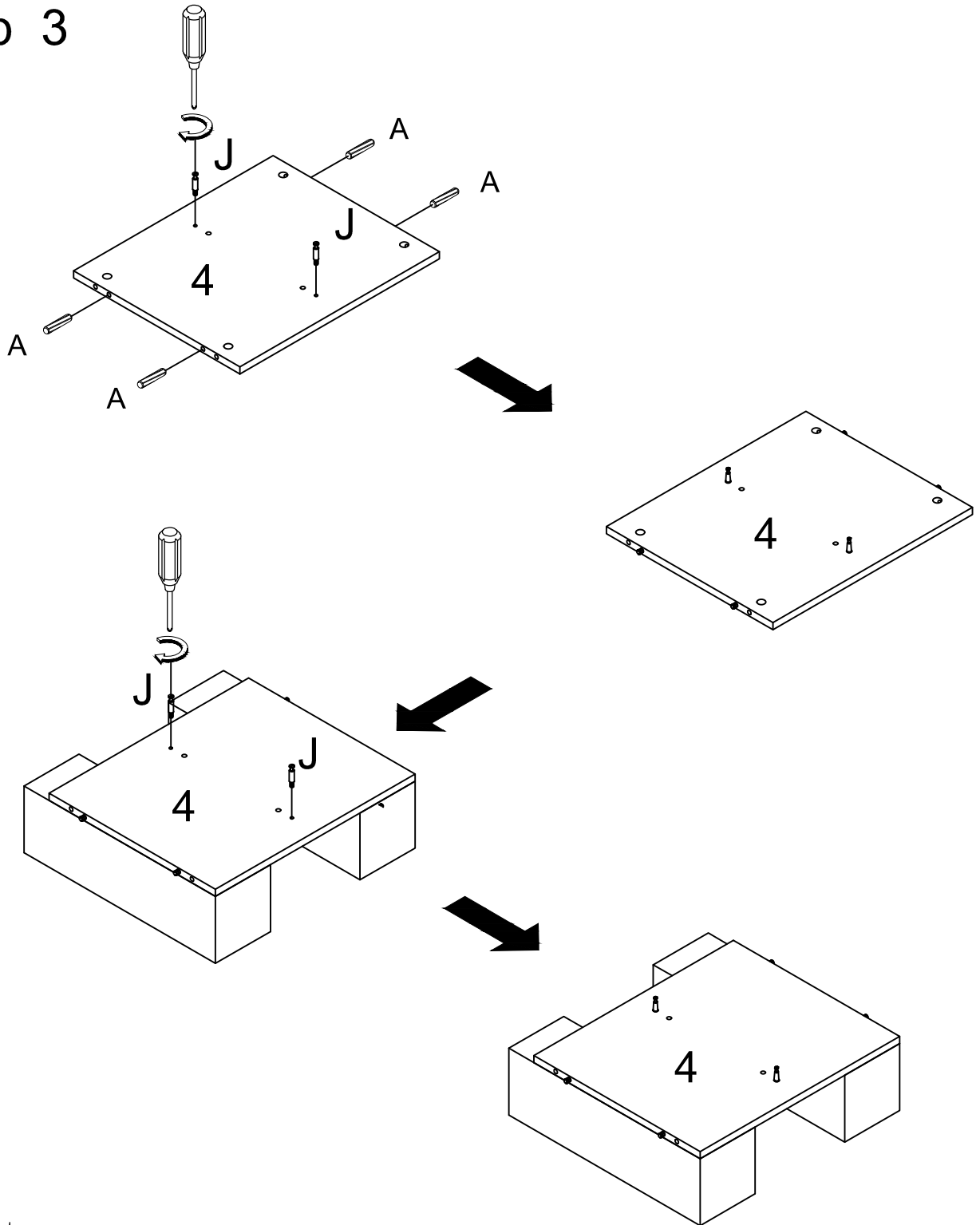
Step 1



Step 2



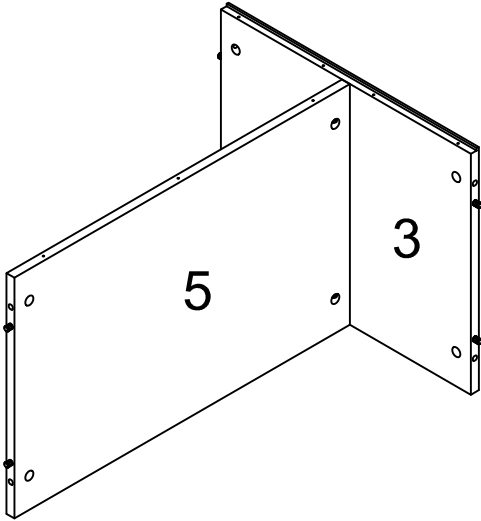
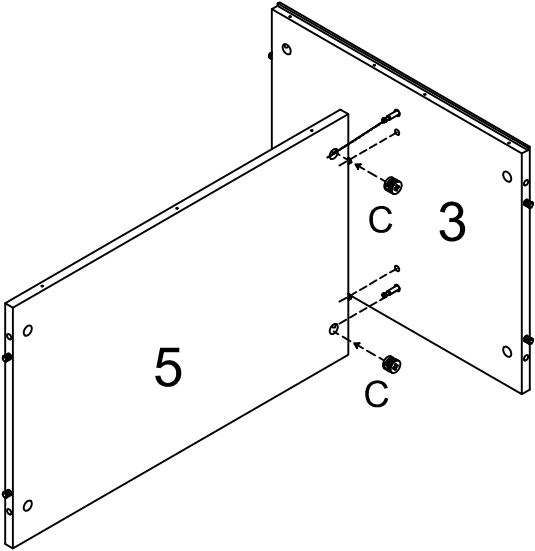
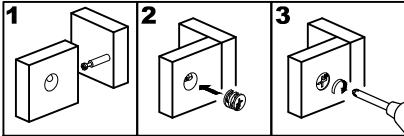
Step 3



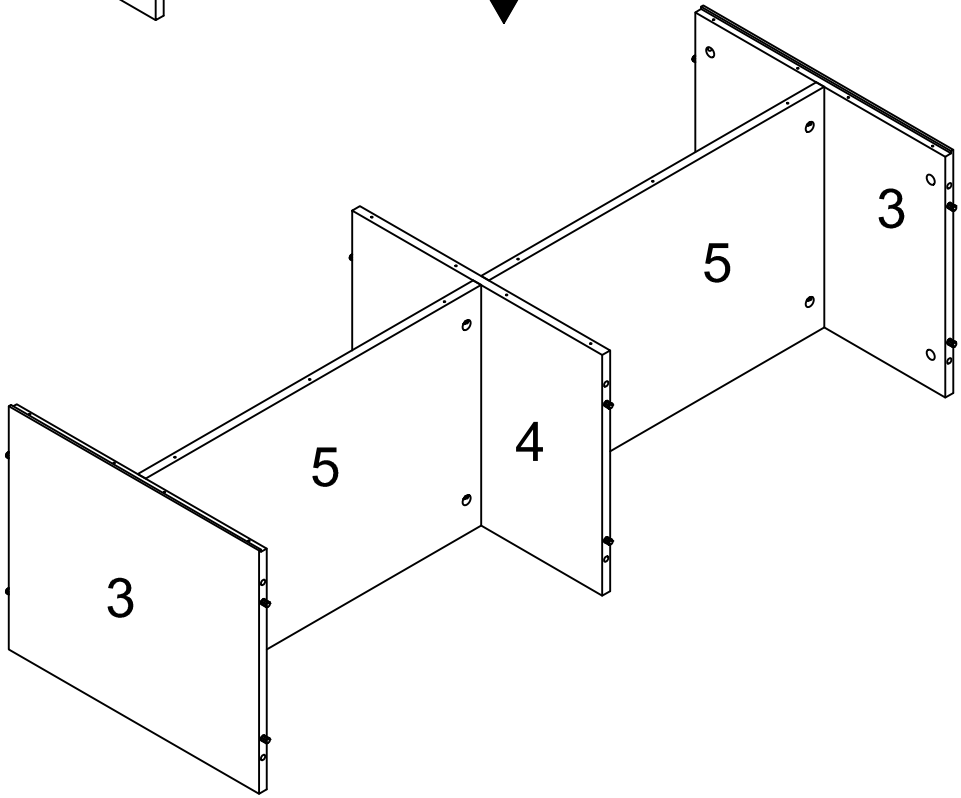
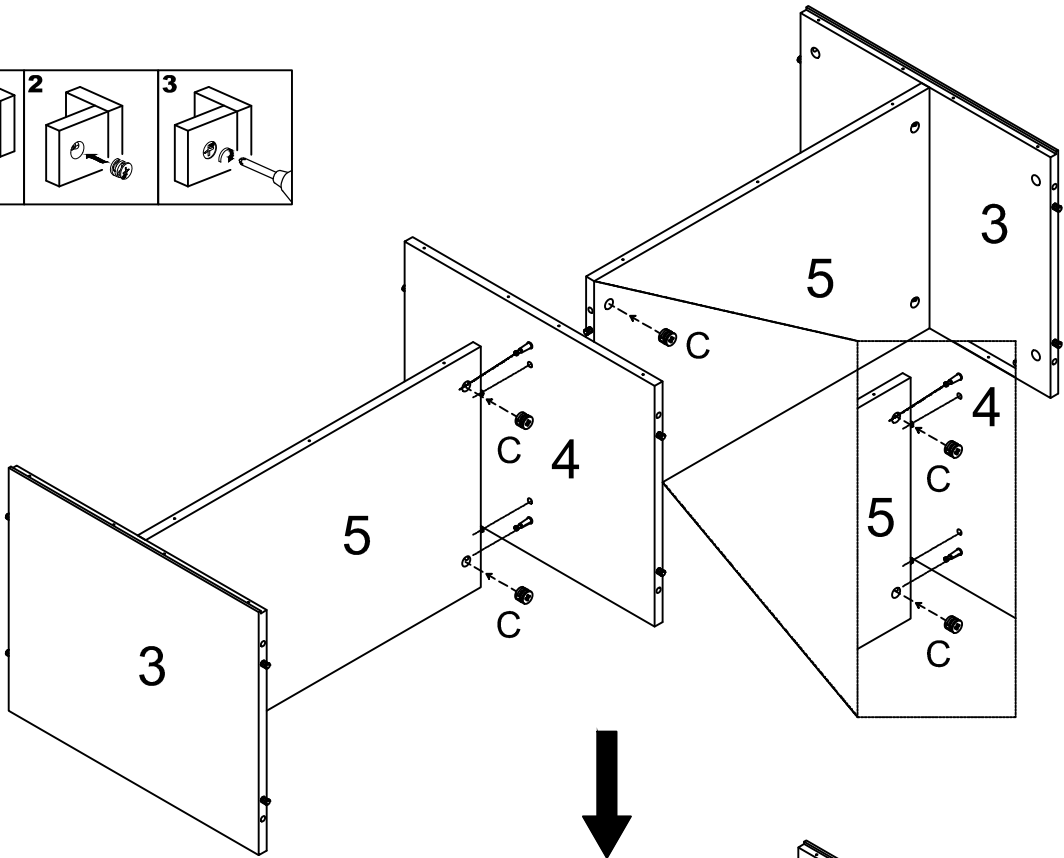
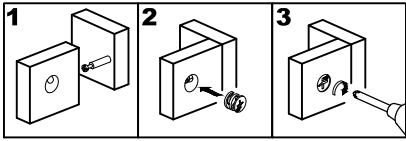
Note:

Turn over the panels (4) and insert dowels (J) into panel (4) as the pictures shown. Its function is to separate the other side to prevent the installed hardware (J) from being pressure-shifted or damaged.

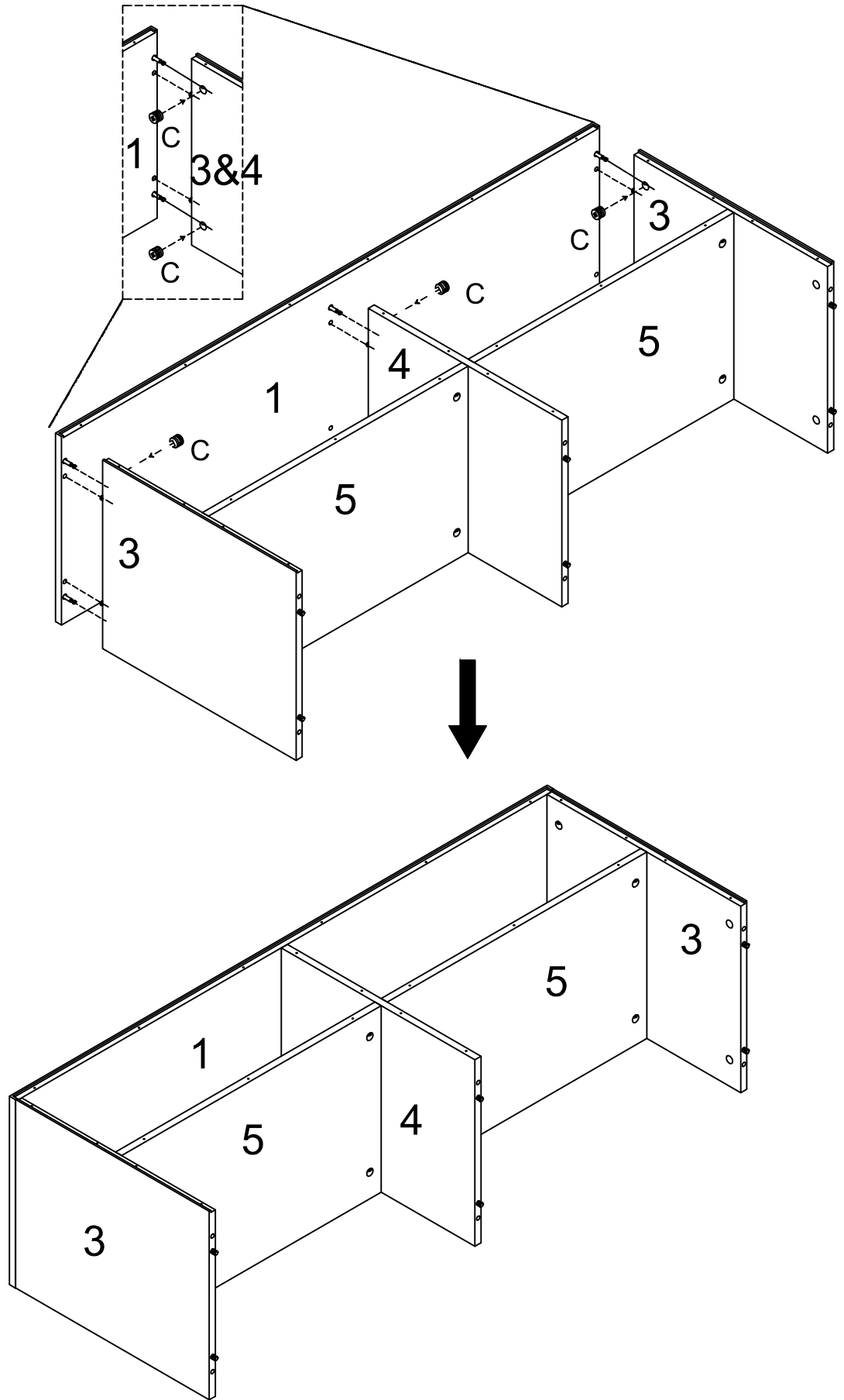
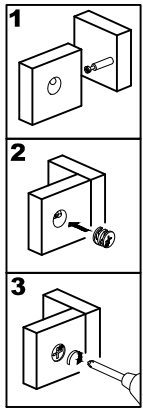
Step 4



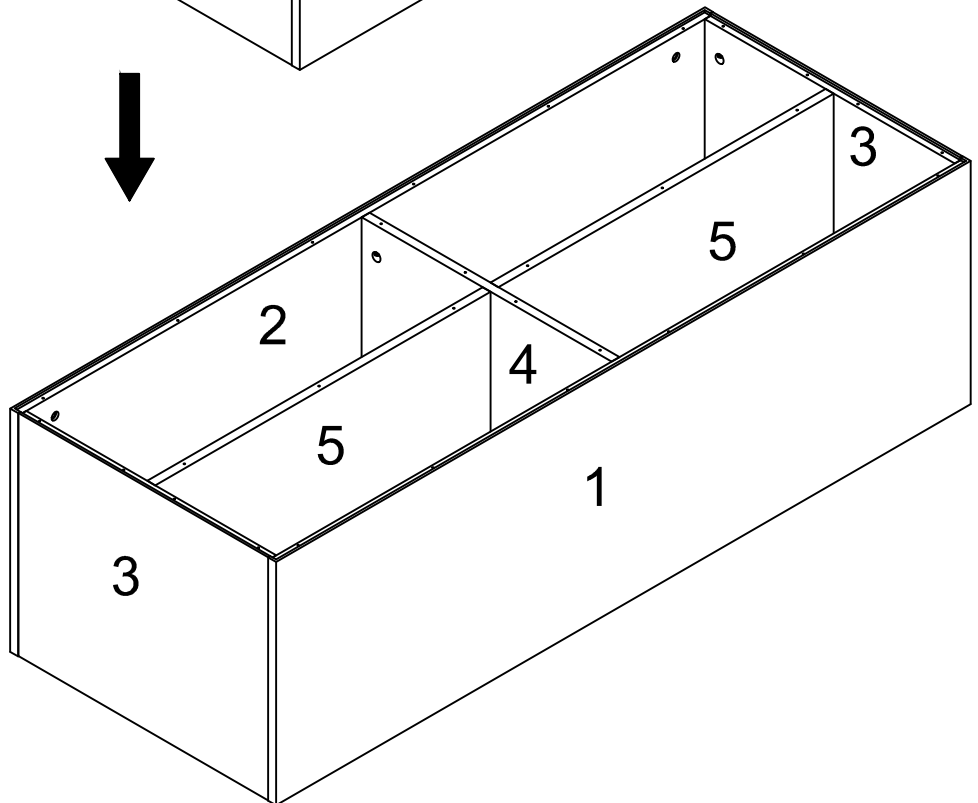
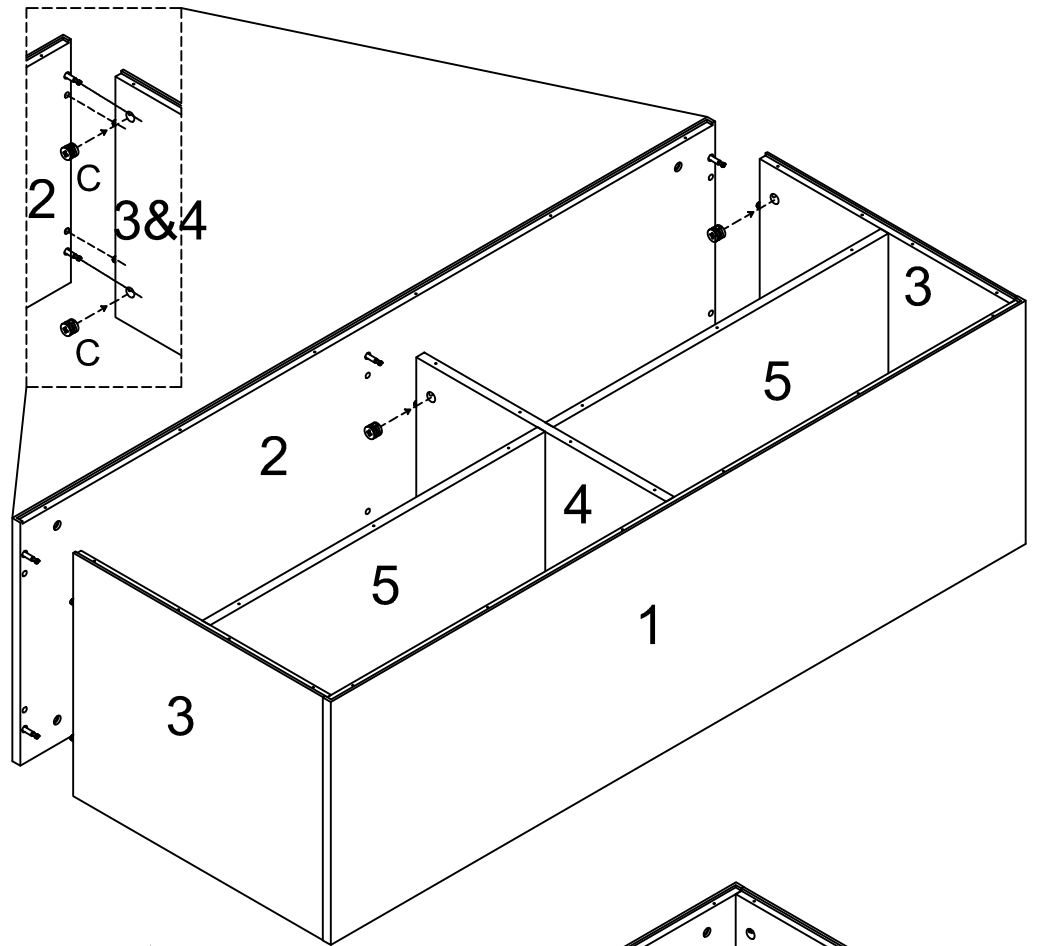
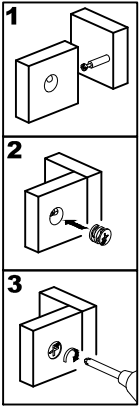
Step 5



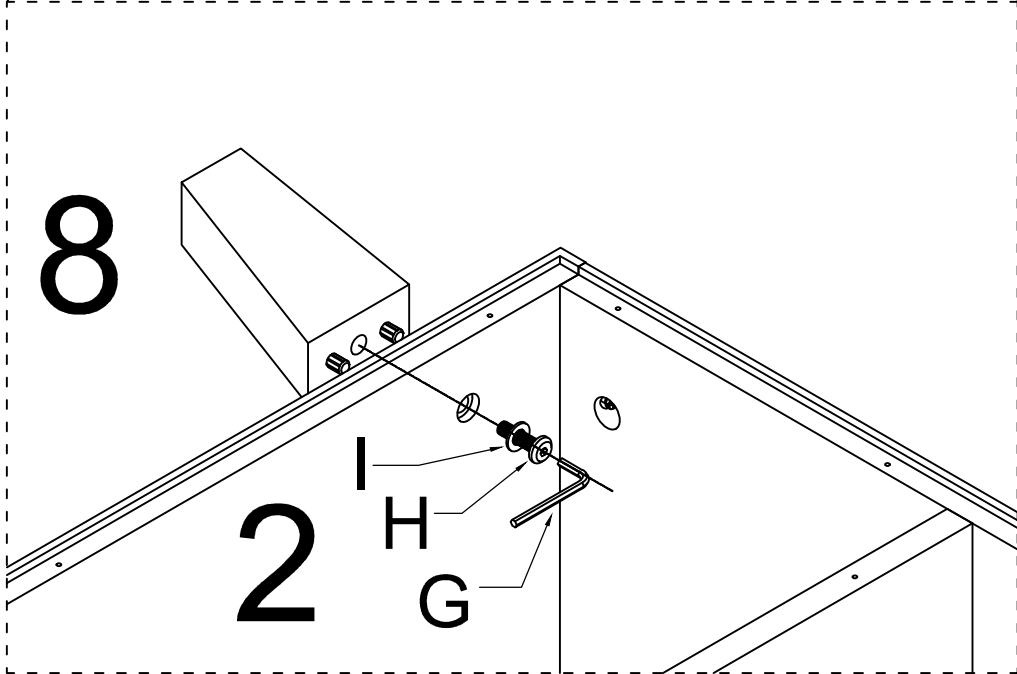
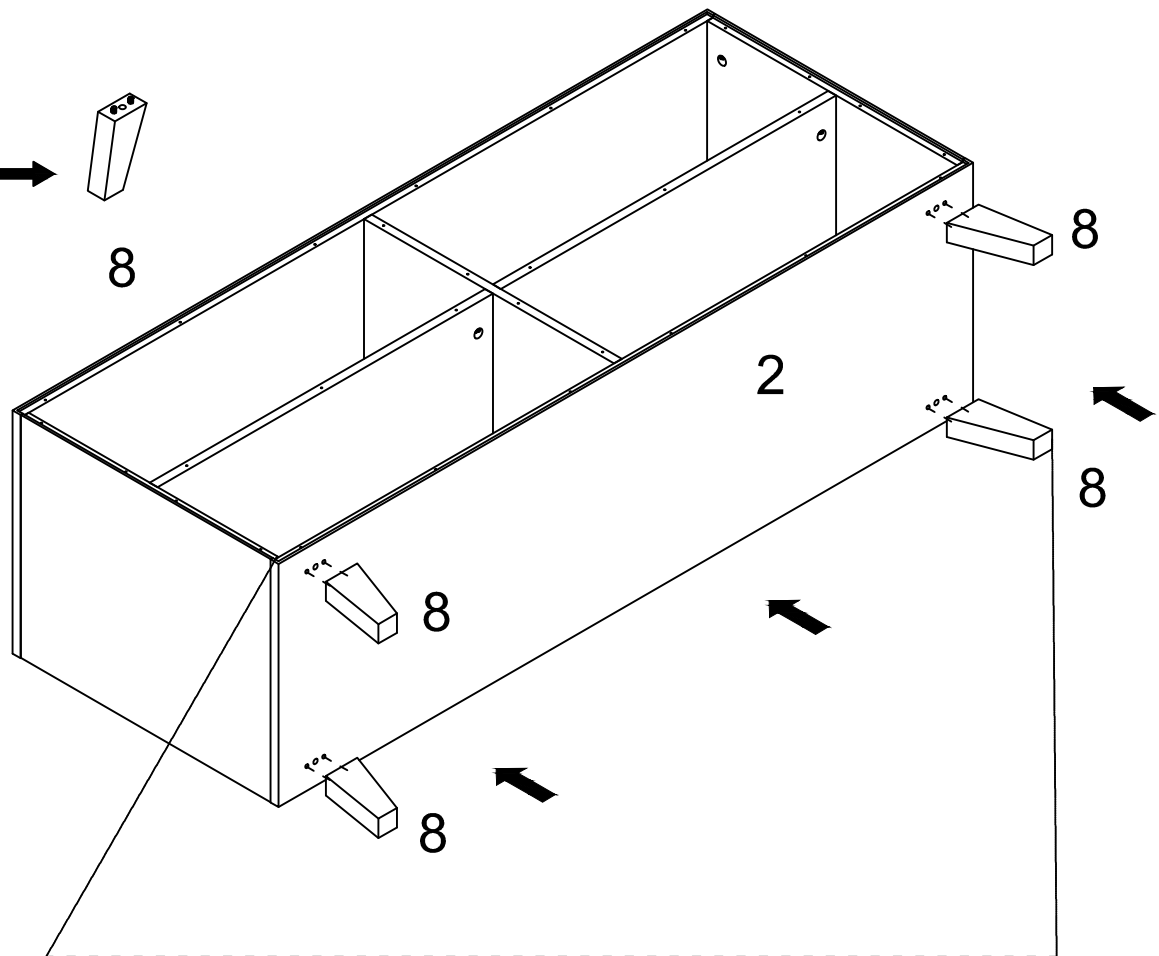
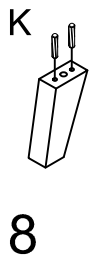
Step 6



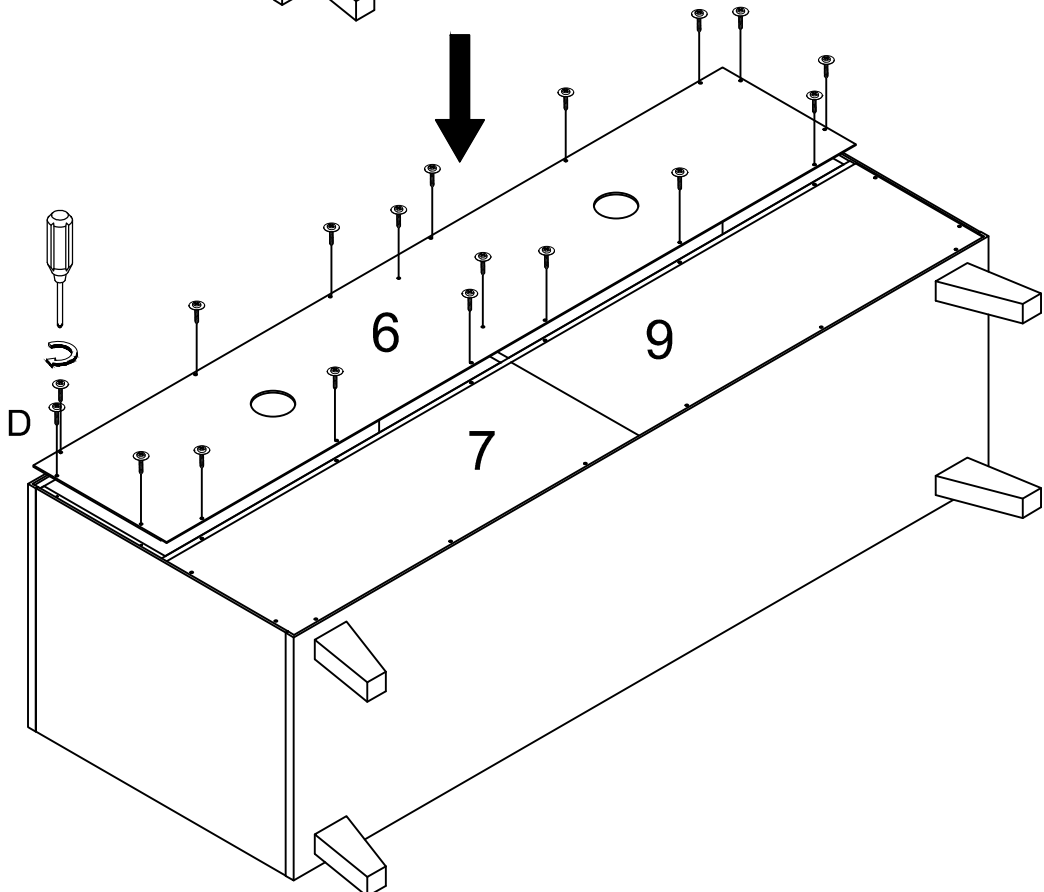
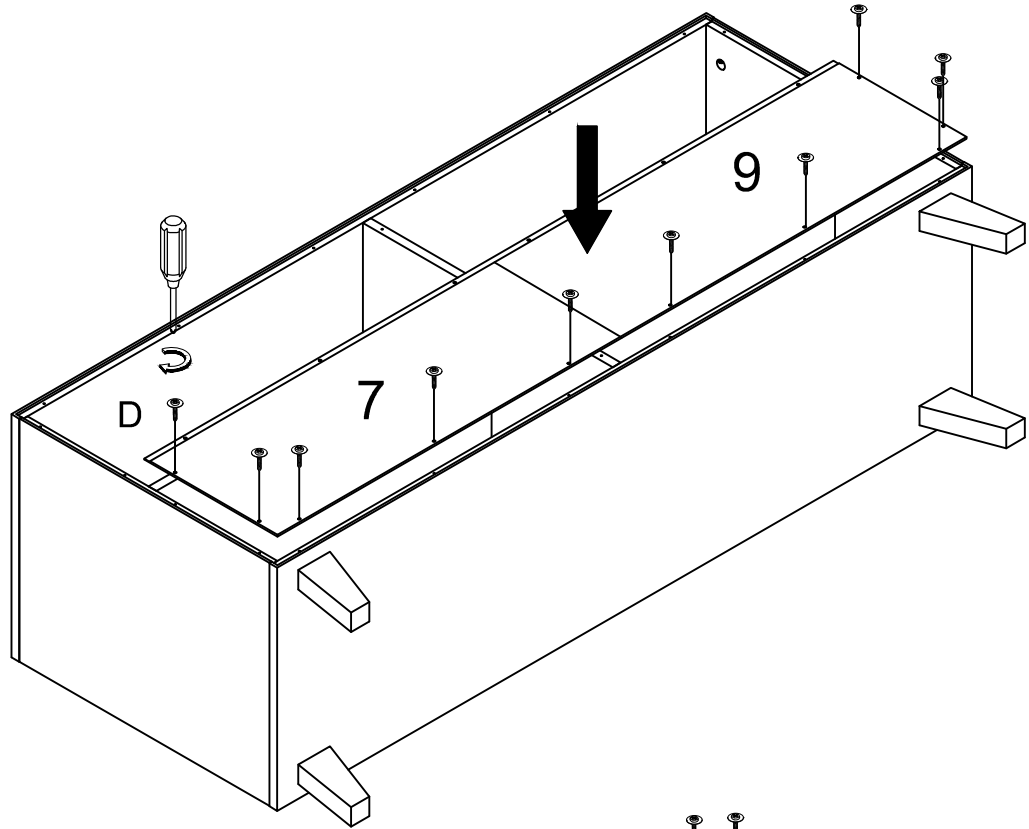
Step 7



Step 8



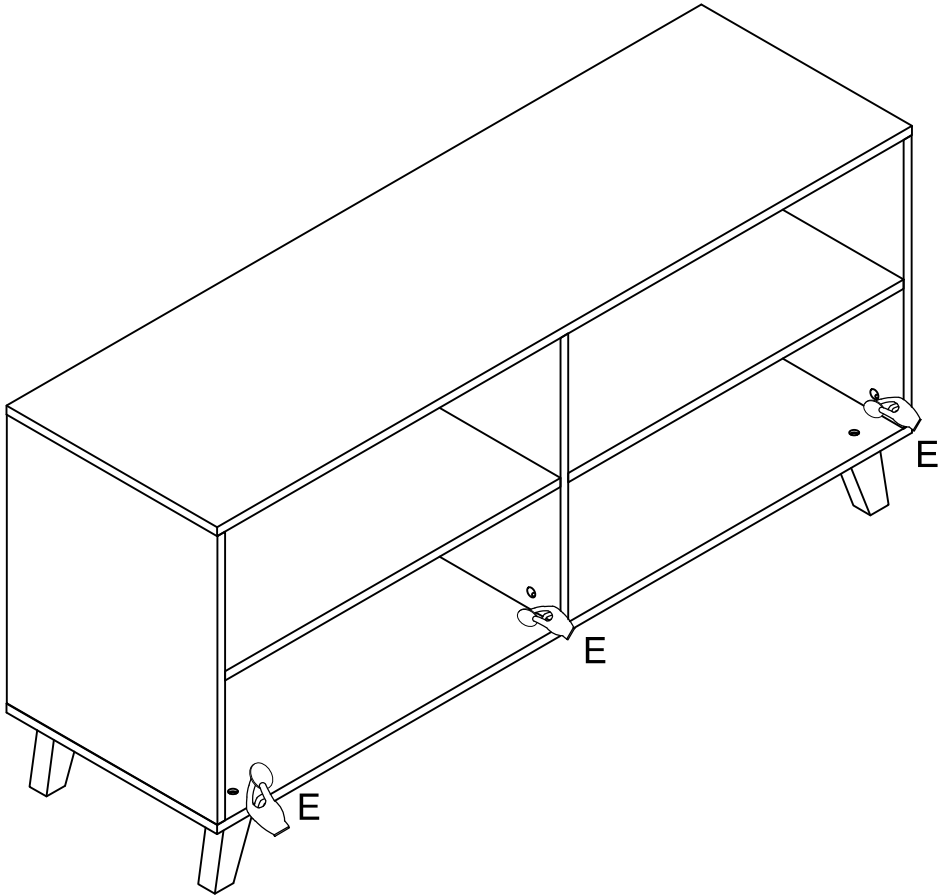
Step 9



Note:

At least two people to stand the cabinet upright after carefully attach the back panels (6)

Step 10



Final Assembly