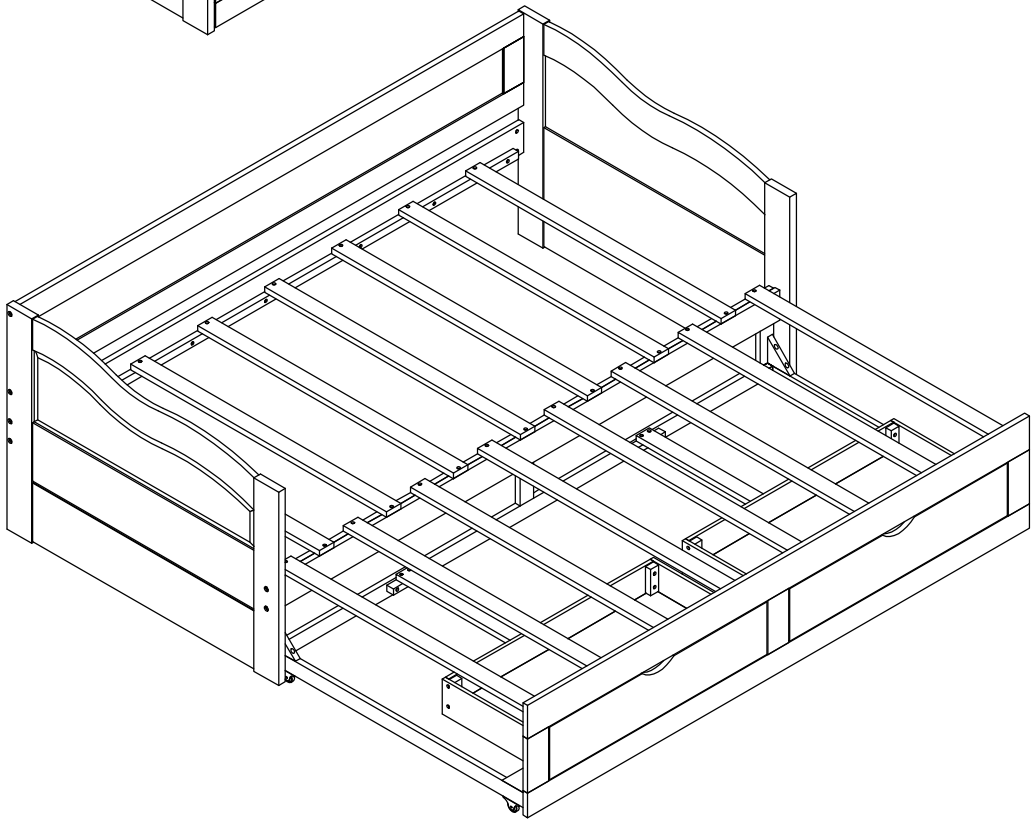
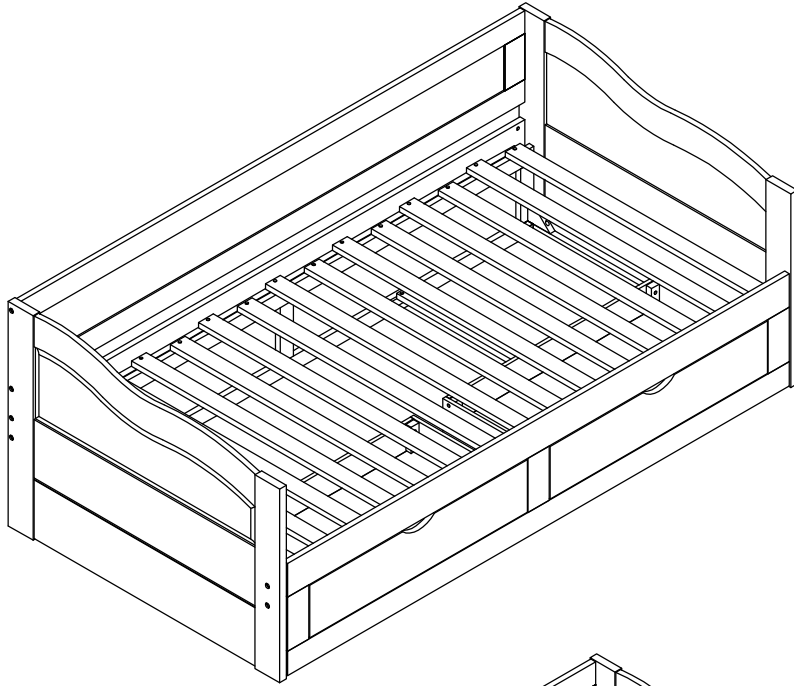
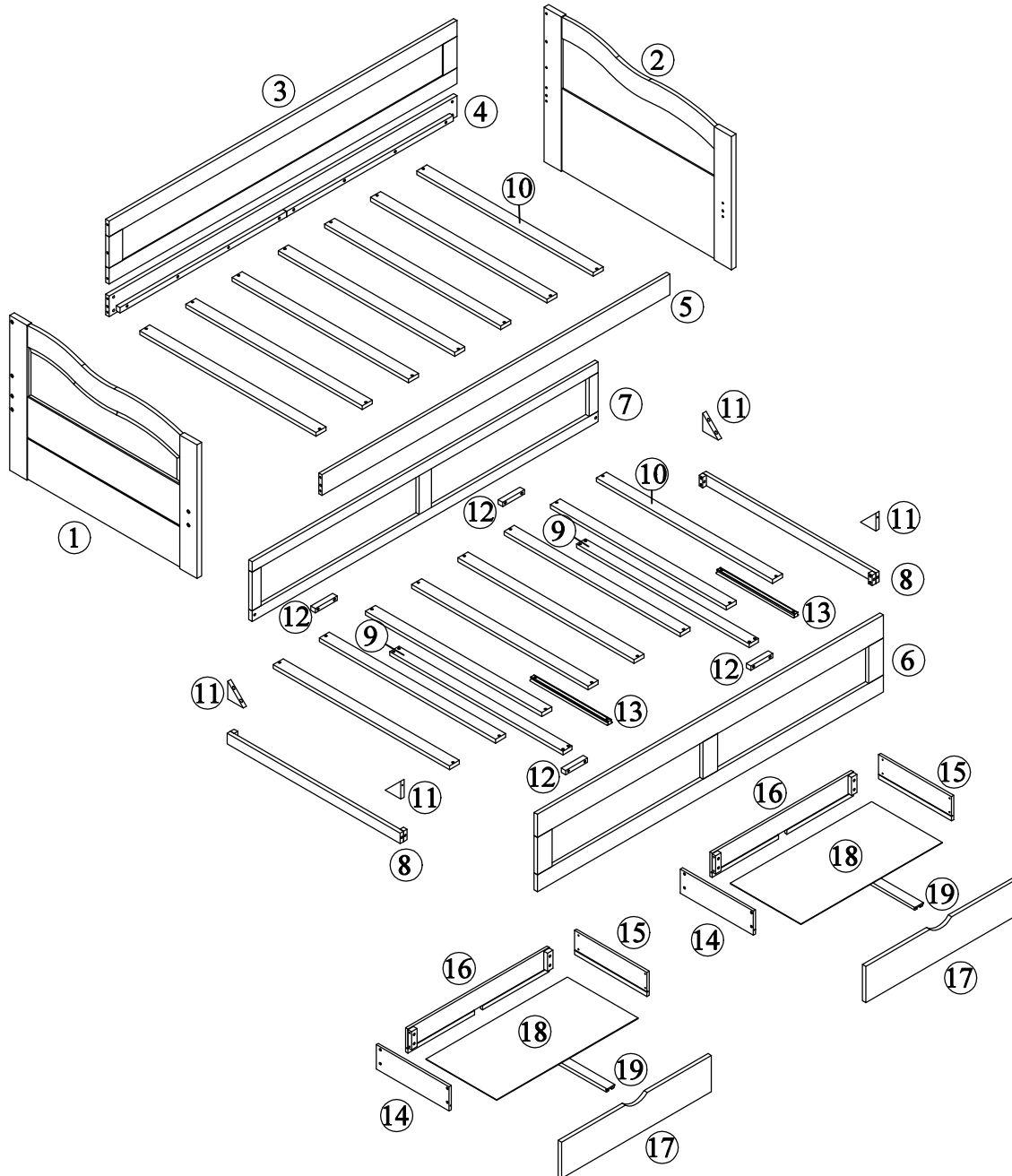


# ASSEMBLY INSTRUCTION

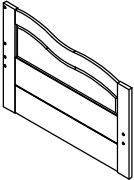
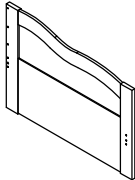
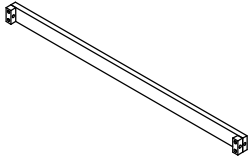
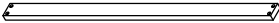
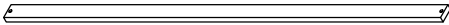
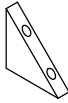
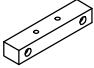

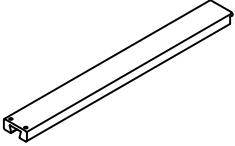


## Detail View - DAY BED

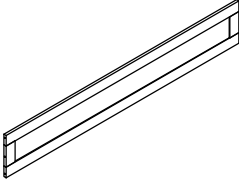
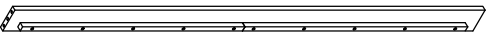
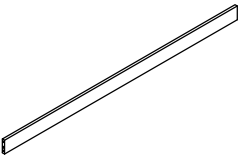
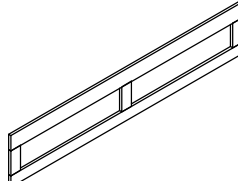
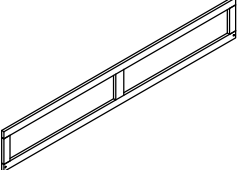
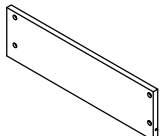
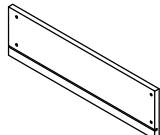
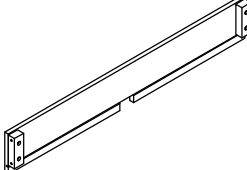
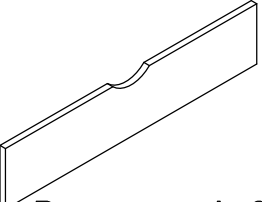
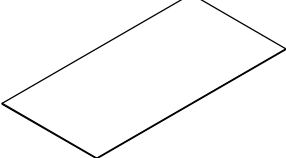


**Identifying the Hardware - Identify the hardware using the illustrations below.**






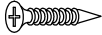


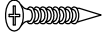


# Part List

<p><b>1</b></p>  <p><b>Left headboard - 1pc</b></p>	<p><b>2</b></p>  <p><b>Right headboard - 1pc</b></p>
<p><b>8</b></p>  <p><b>Side bonding bar - 2pcs</b></p>	<p><b>9</b></p>  <p><b>Mid bonding bar - 2pcs</b></p>
<p><b>10</b></p>  <p><b>Bed board - 15pcs</b></p>	<p><b>11</b></p>  <p><b>Corner bonding wood - 4pcs</b></p>
<p><b>12</b></p>  <p><b>Bonding wood - 4pcs</b></p>	<p><b>13</b></p>  <p><b>Wooden slider - 2pcs</b></p>
<p><b>19</b></p>  <p><b>Wooden slider - 2pcs</b></p>	

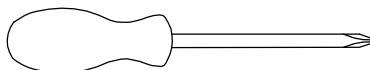
# Part List

<p><b>3</b></p>  <p><b>Back guard rail frame - 1pc</b></p>	<p><b>4</b></p>  <p><b>Bed side plate - 1pc</b></p>
<p><b>5</b></p>  <p><b>Bed side plate - 1pc</b></p>	<p><b>6</b></p>  <p><b>Front frame - 1pc</b></p>
<p><b>7</b></p>  <p><b>Rear frame - 1pc</b></p>	<p><b>14</b></p>  <p><b>Drawer left side panel - 2pcs</b></p>
<p><b>15</b></p>  <p><b>Drawer right side panel - 2pcs</b></p>	<p><b>16</b></p>  <p><b>Drawer back plate - 2pcs</b></p>
<p><b>17</b></p>  <p><b>Drawer panel - 2pcs</b></p>	<p><b>18</b></p>  <p><b>Drawer bottom plate - 2pcs</b></p>





# Hardware List-

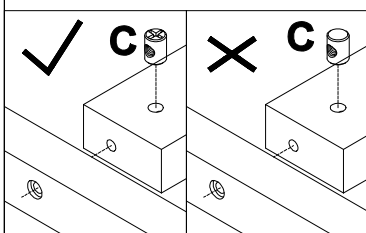
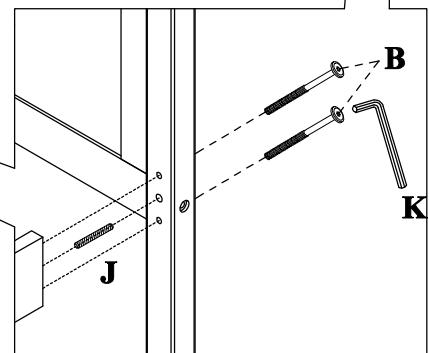
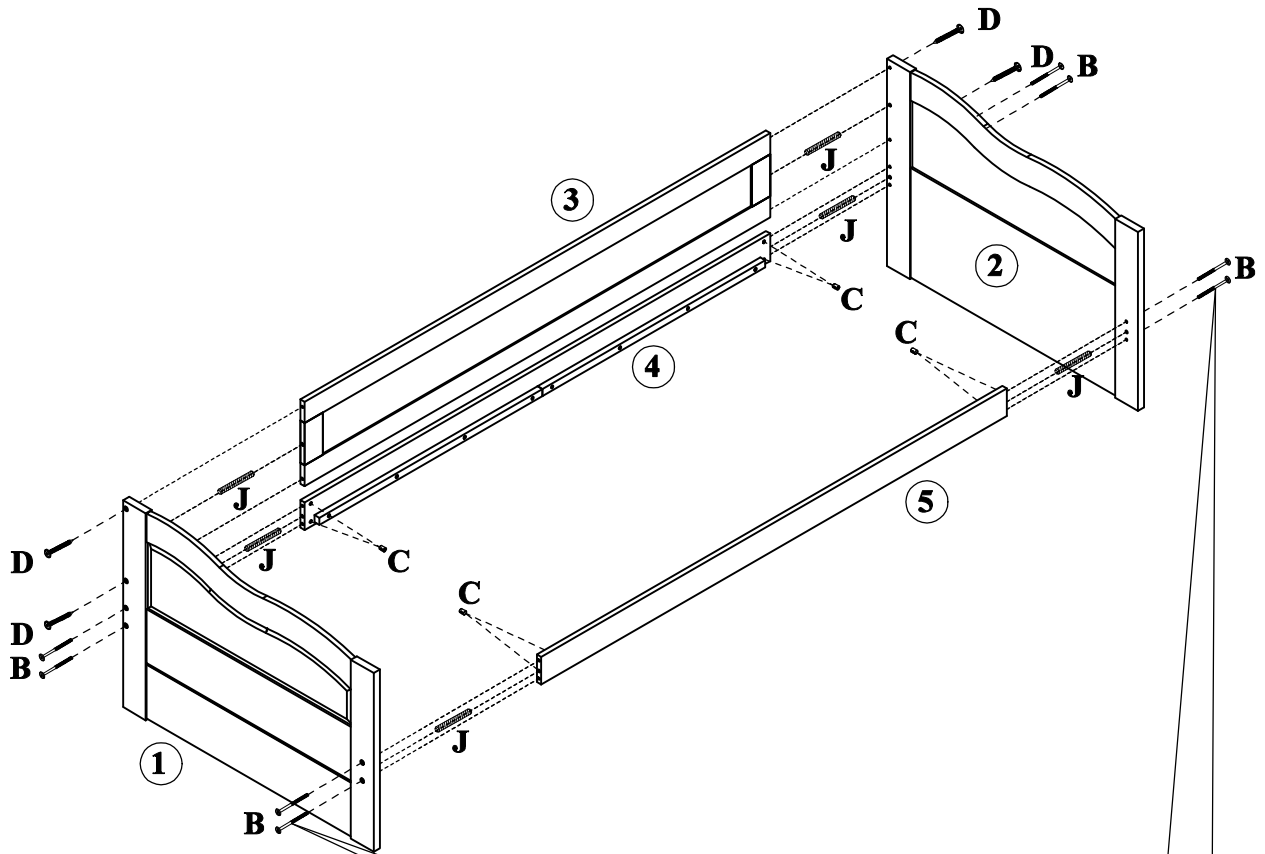
<b>A</b>  $\varnothing 13 \times 1/4" \times 30 \text{mm}$	<b>B</b>  $\varnothing 13 \times 1/4" \times 60 \text{mm}$	<b>C</b>  $\varnothing 10 \times 13 \text{mm}$
Hex-Head bolts(4pcs)	Hex-Head bolts(8pcs)	Horizontal-Hole bolts(8pcs)
<b>D</b>  $\varnothing 13 \times 1/4" \times 50 \text{mm}$	<b>E</b> 	<b>F</b>  $\varnothing 7 \times \varnothing 3.5 \times 15 \text{mm}$
Hex-Head screw(4pcs)	Wheels (4pcs)	Flat head screw(8pcs)
<b>G</b>  $\varnothing 8 \times \varnothing 4 \times 30 \text{mm}$	<b>H</b> 	<b>I</b>  $\varnothing 7 \times \varnothing 3.5 \times 12 \text{mm}$
Round head screw(78pcs)	Blocks semicircular(2pcs)	Flat head screw(4pcs)
<b>J</b>  $\varnothing 10 \times 40 \text{mm}$	<b>K</b>  4mm	
Wood dowel(10pcs)	Allen key(1pc)	

**ASSEMBLY TOOLS REQUIRED ( NOT INCLUDED )**




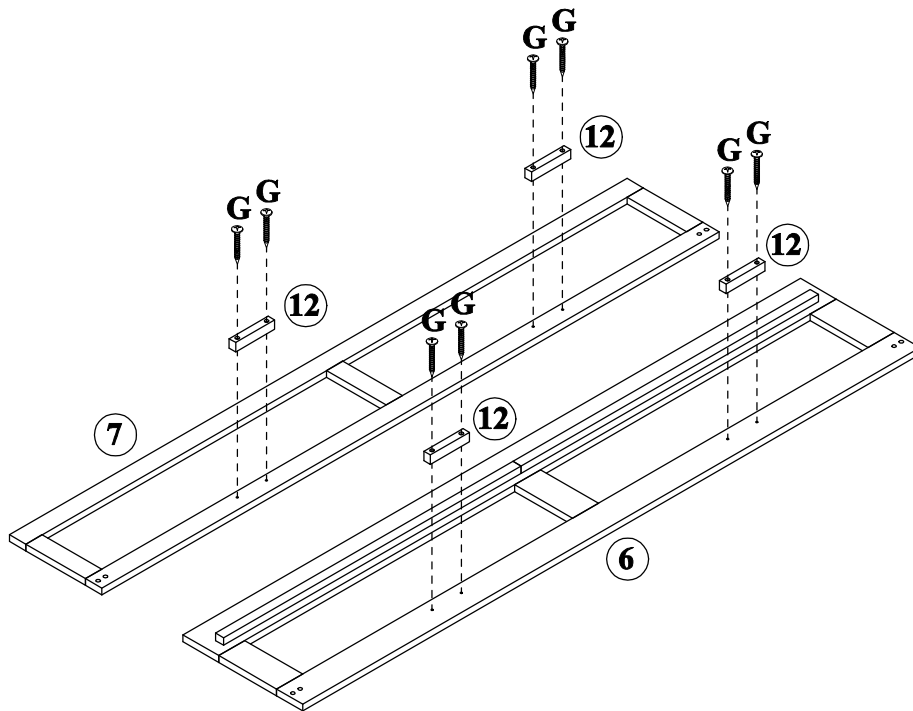
**STEP: 1**

<b>B</b>	<b>C</b>	<b>D</b>	<b>J</b>
			
<b>8PCS</b>	<b>8PCS</b>	<b>4PCS</b>	<b>6PCS</b>

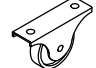
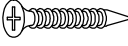


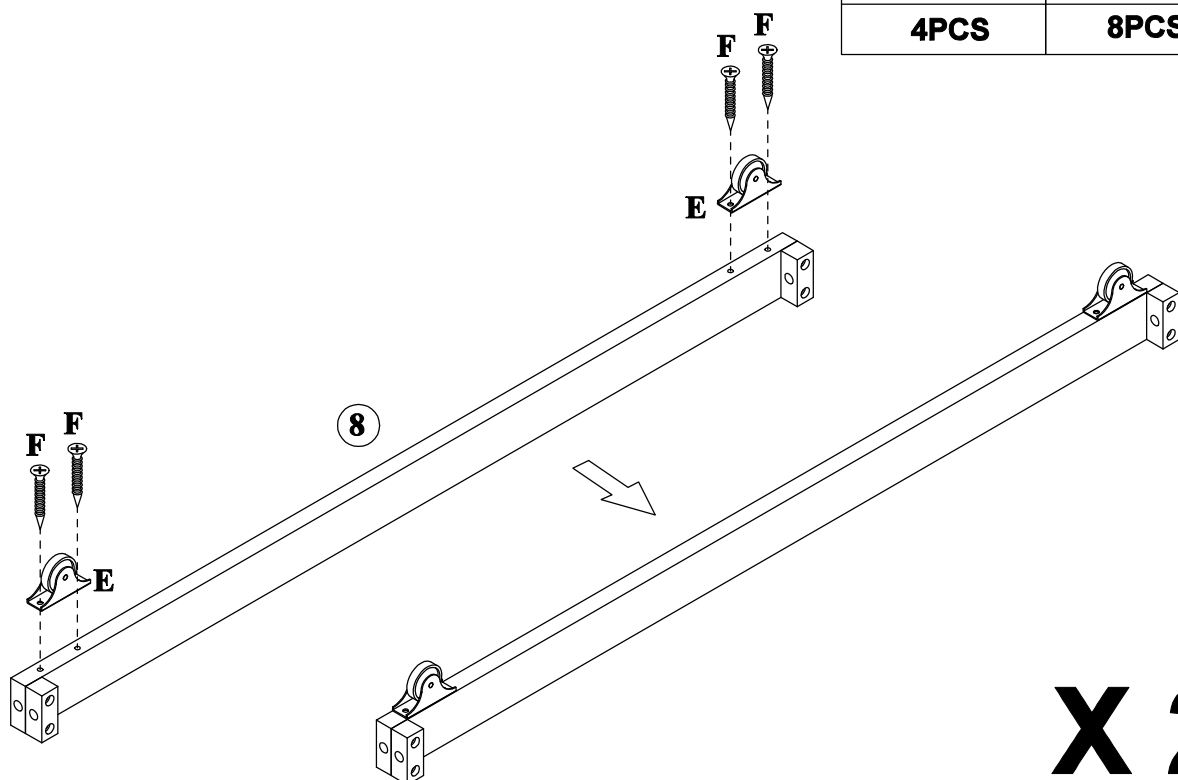
**STEP: 2**

<b>G</b>

<b>8PCS</b>


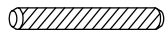


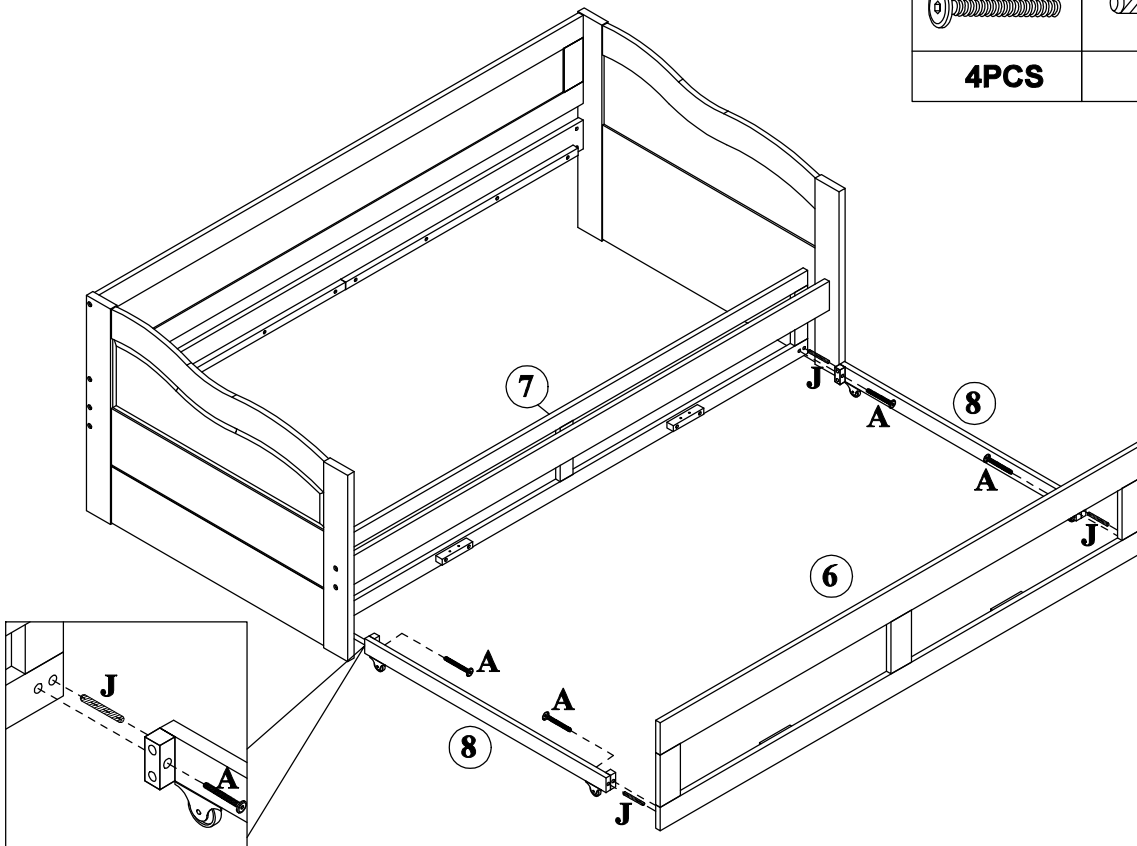
**STEP: 3**

<b>E</b>		<b>F</b>	
<b>4PCS</b>		<b>8PCS</b>	




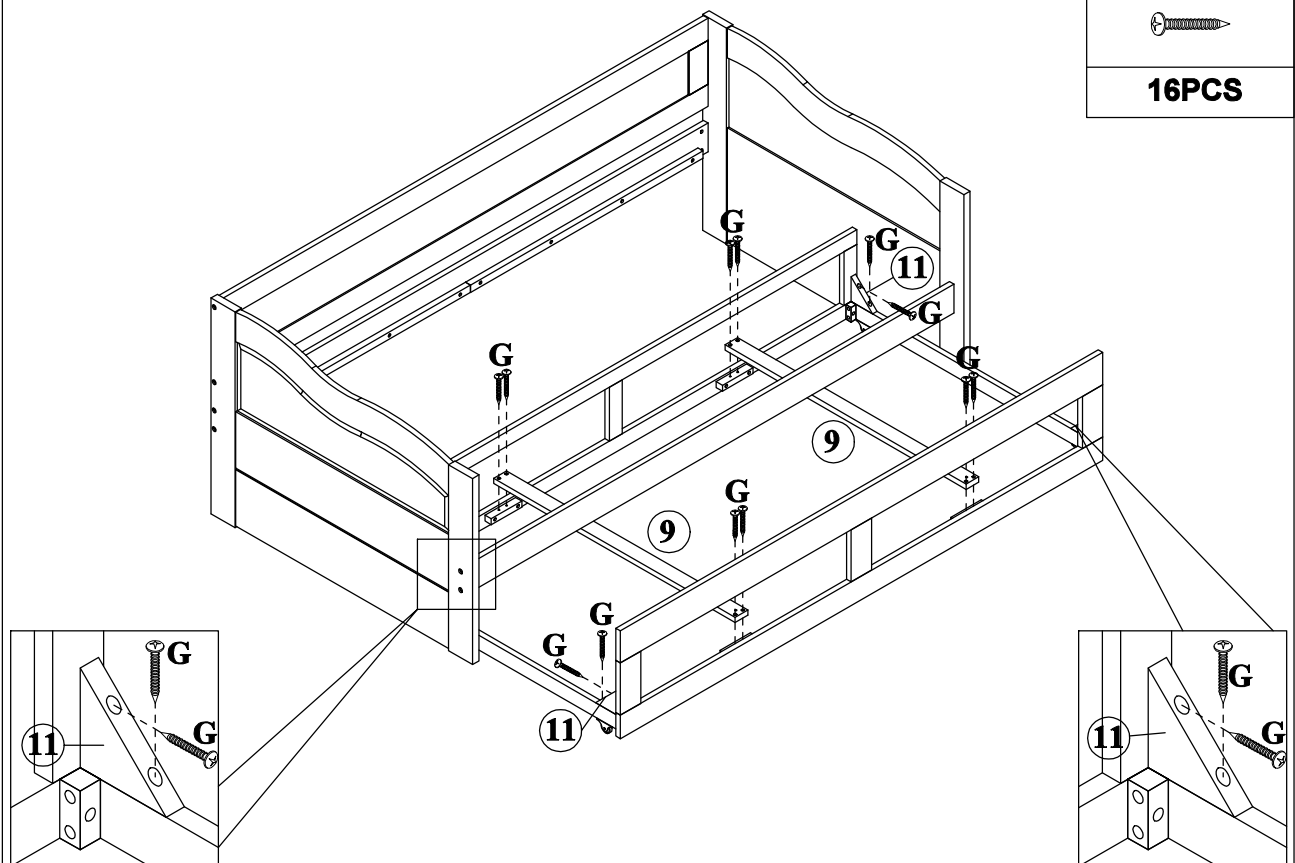
### STEP: 4

<b>A</b>	<b>J</b>
	
<b>4PCS</b>	<b>4PCS</b>




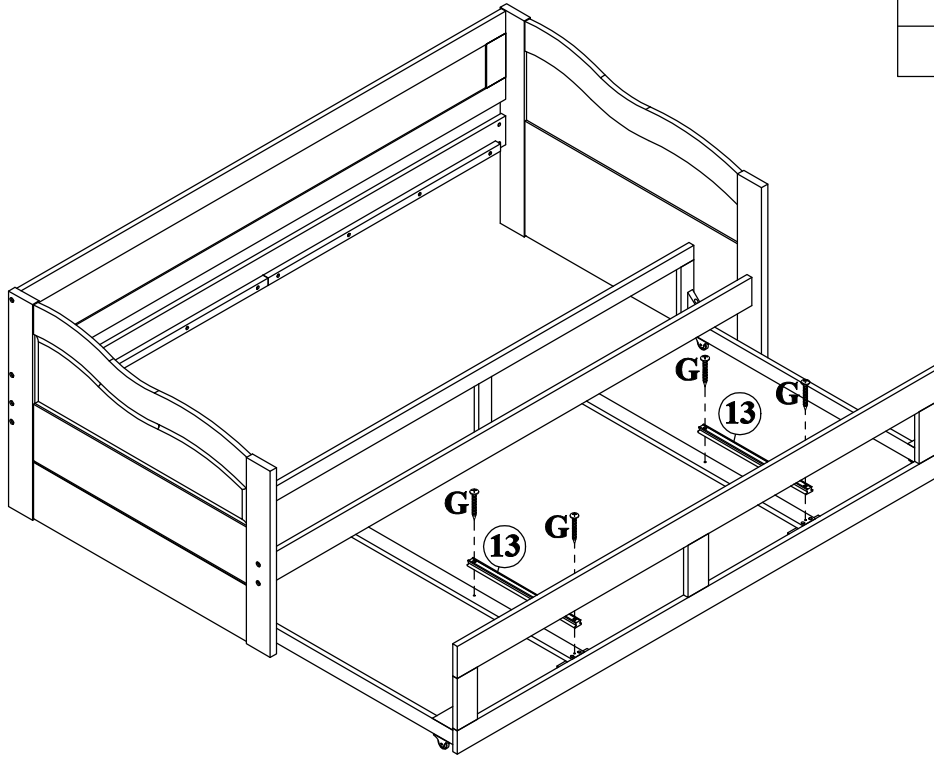
### STEP: 5

<b>G</b>

<b>16PCS</b>




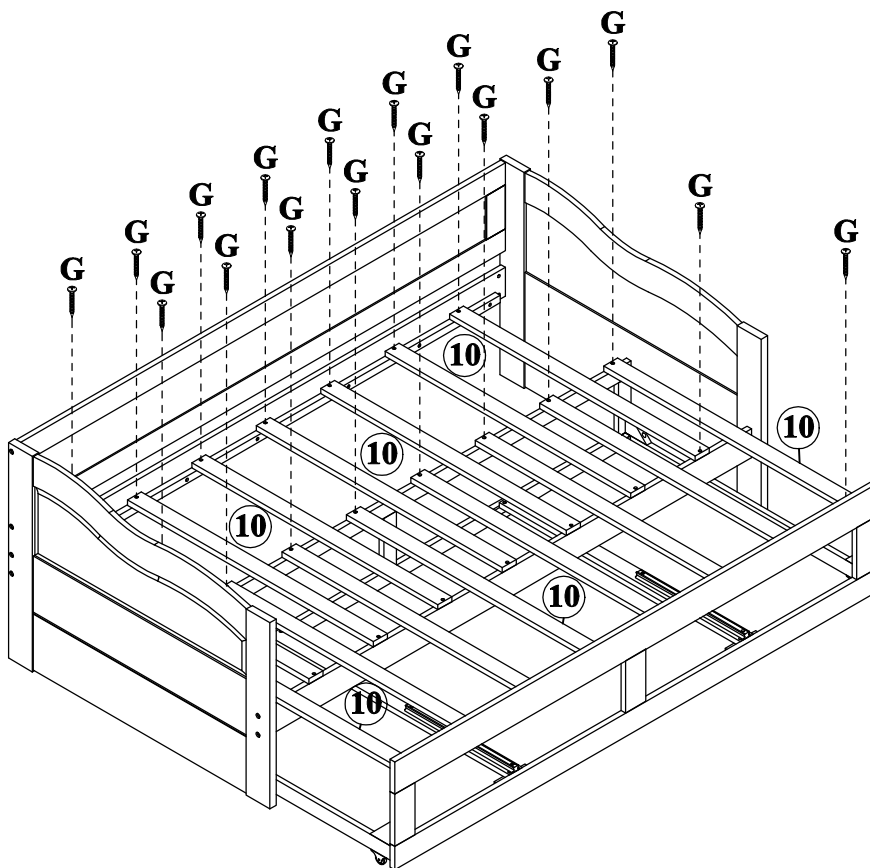
**STEP: 6**

<b>G</b>

<b>4PCS</b>




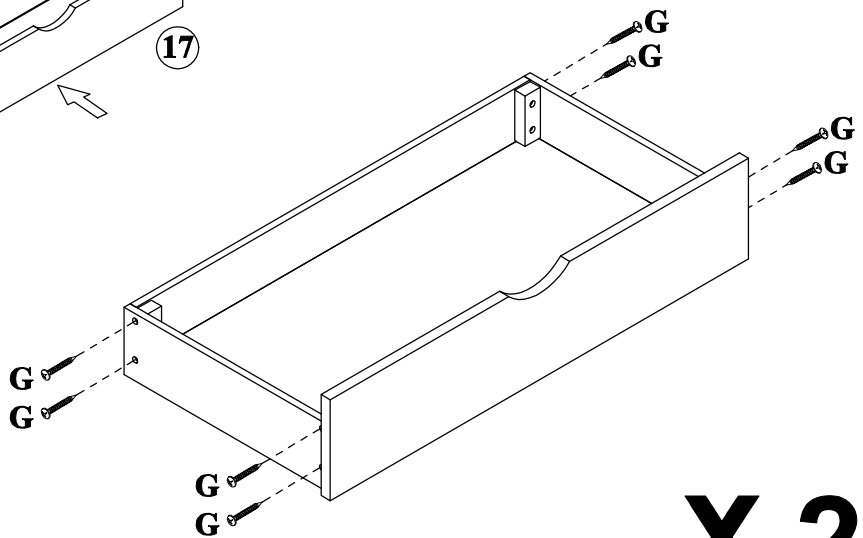
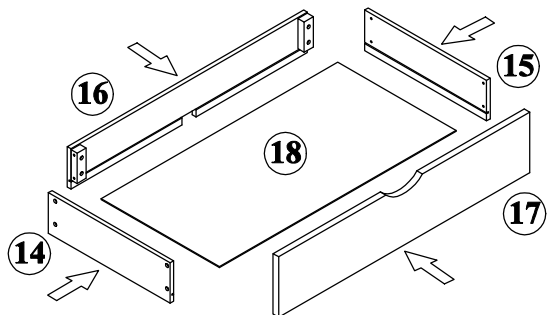
**STEP: 7**

<b>G</b>

<b>30PCS</b>





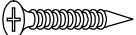
**STEP: 8**

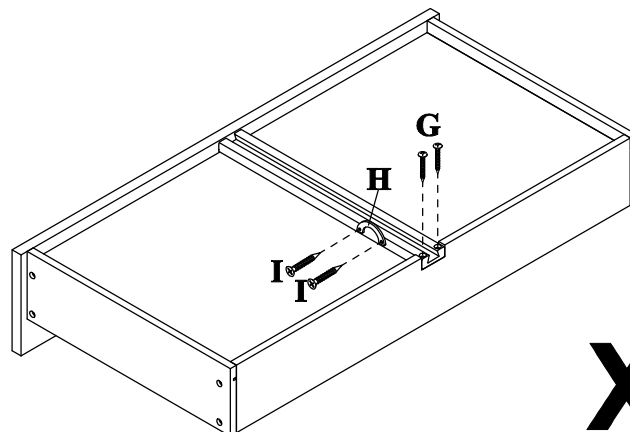
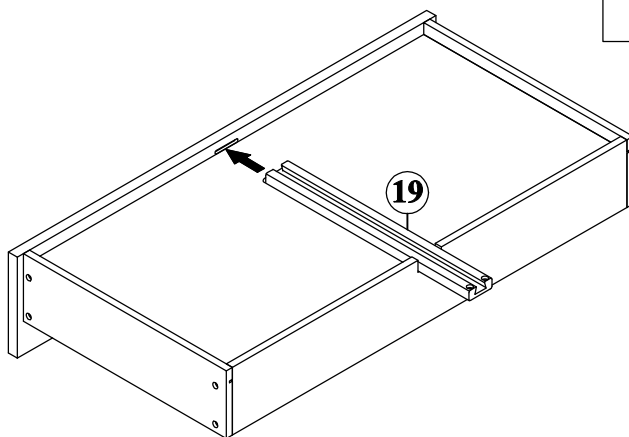
<b>G</b>

<b>16PCS</b>



**X 2**

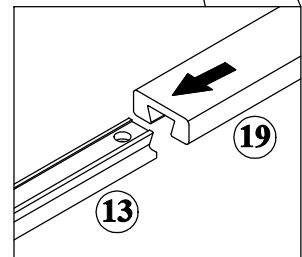
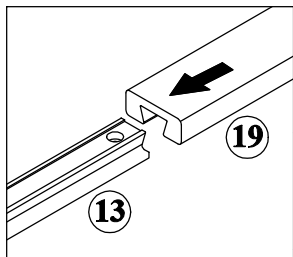
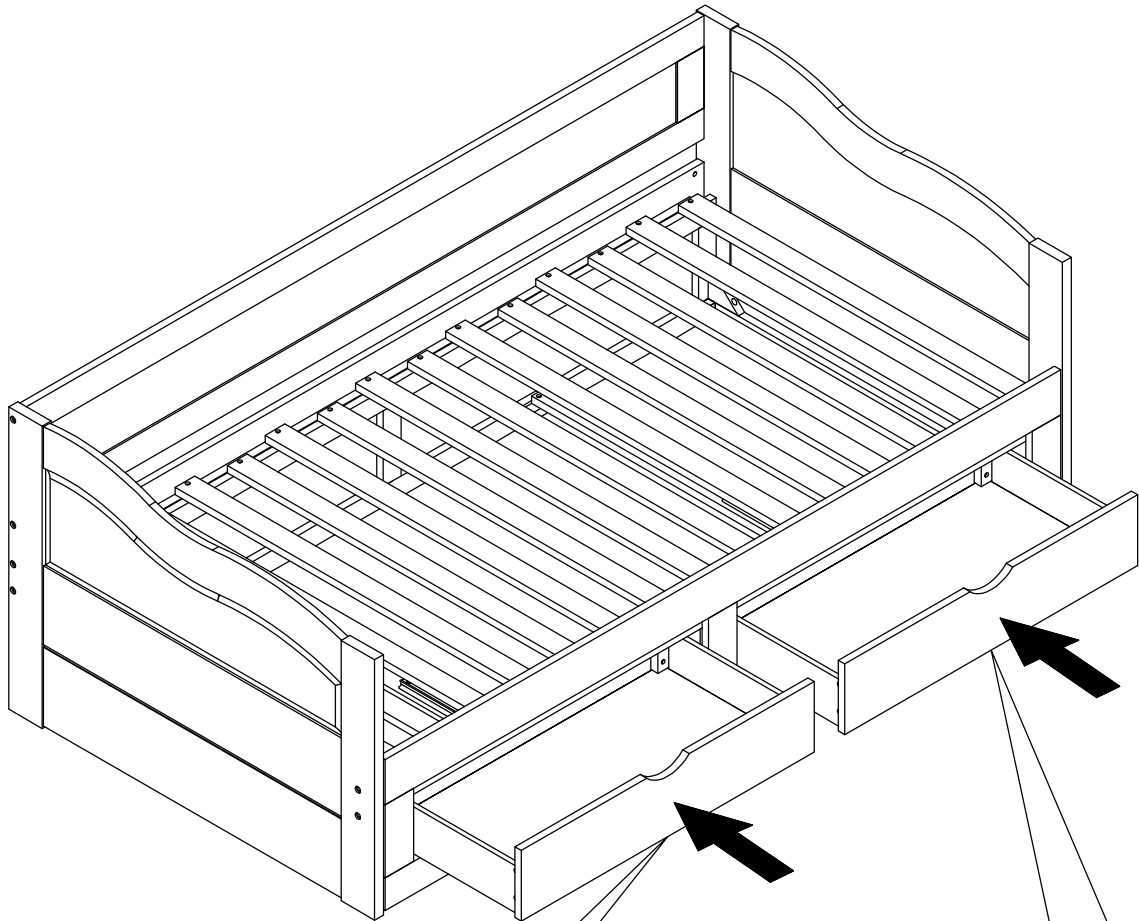
**STEP: 9**

<b>G</b>	<b>H</b>	<b>I</b>
		
<b>4PCS</b>	<b>2PCS</b>	<b>4PCS</b>



**X 2**

**STEP: 10**



**STEP:11**

