
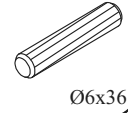


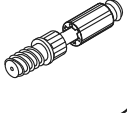


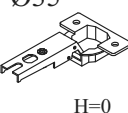
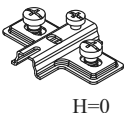

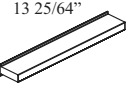


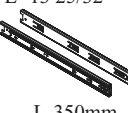



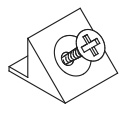

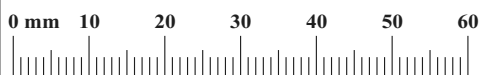
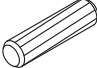




A1 x38	$\text{Ø}5/16'' \times 1\ 27/64''$  $\text{Ø}8 \times 36$	A4 x6	$\text{Ø}15/64'' \times 1\ 27/64''$  $\text{Ø}6 \times 36$	B11 x21	$\text{Ø}9/32'' \times 1\ 31/32''$  $\text{Ø}7 \times 50$	G4 x19		B4 x41		B5 x41	$\text{Ø}19/32'' \times 15/32''$  $\text{Ø}15 \times 12$
G5 x41		E21 x2	$\text{Ø}35$  H=0	E2 x2	 H=0	BG1 x1	$L-5\ 3/64'' / 5\ 53/64''$  L-128/148mm.	BG2 x1	$L-12\ 19/32'' / 13\ 25/64''$  L-320/340mm.	UP6 x9	 UP $\text{Ø}4 \times 30$
I2 x4		H8 x1	$L-13\ 25/32''$  L-350mm.	D10 x8	$\text{USØ}9/64'' \times 33/64''$  US $\text{Ø}3,5 \times 13$	UP13 x4	$\text{USØ}1/8'' \times 5/8''$  UP $\text{Ø}3 \times 16$	D14 x4	 ES $\text{Ø}6,3 \times 13$	S1 x2	
G2 x1											

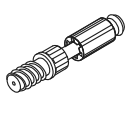


1

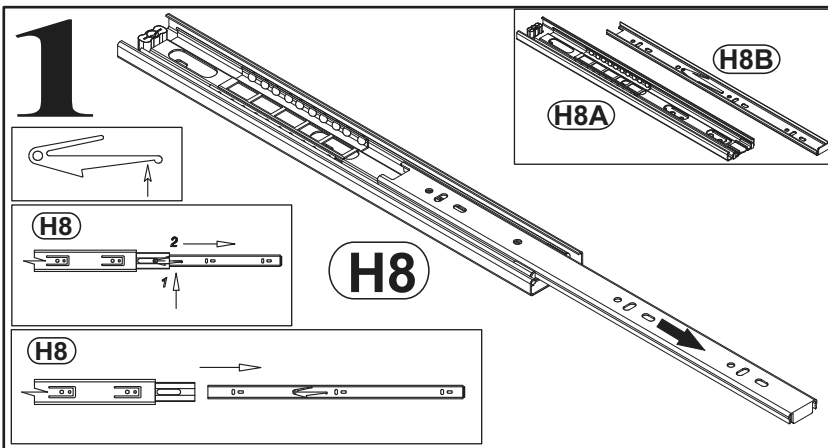
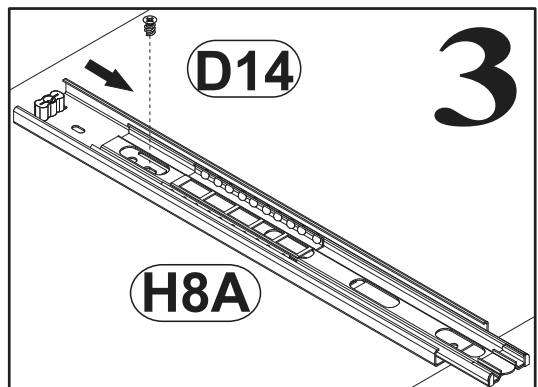
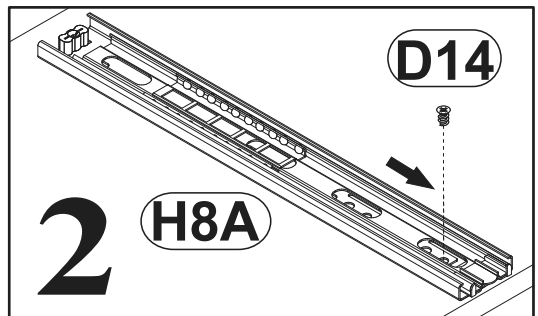
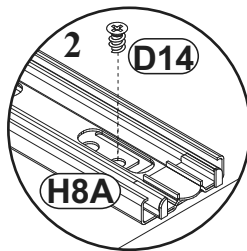
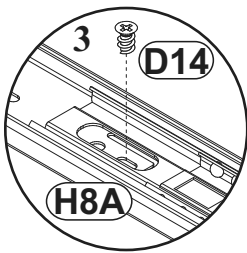
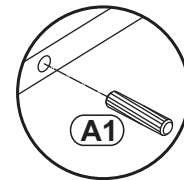
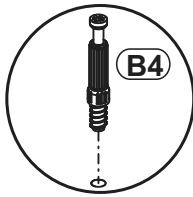
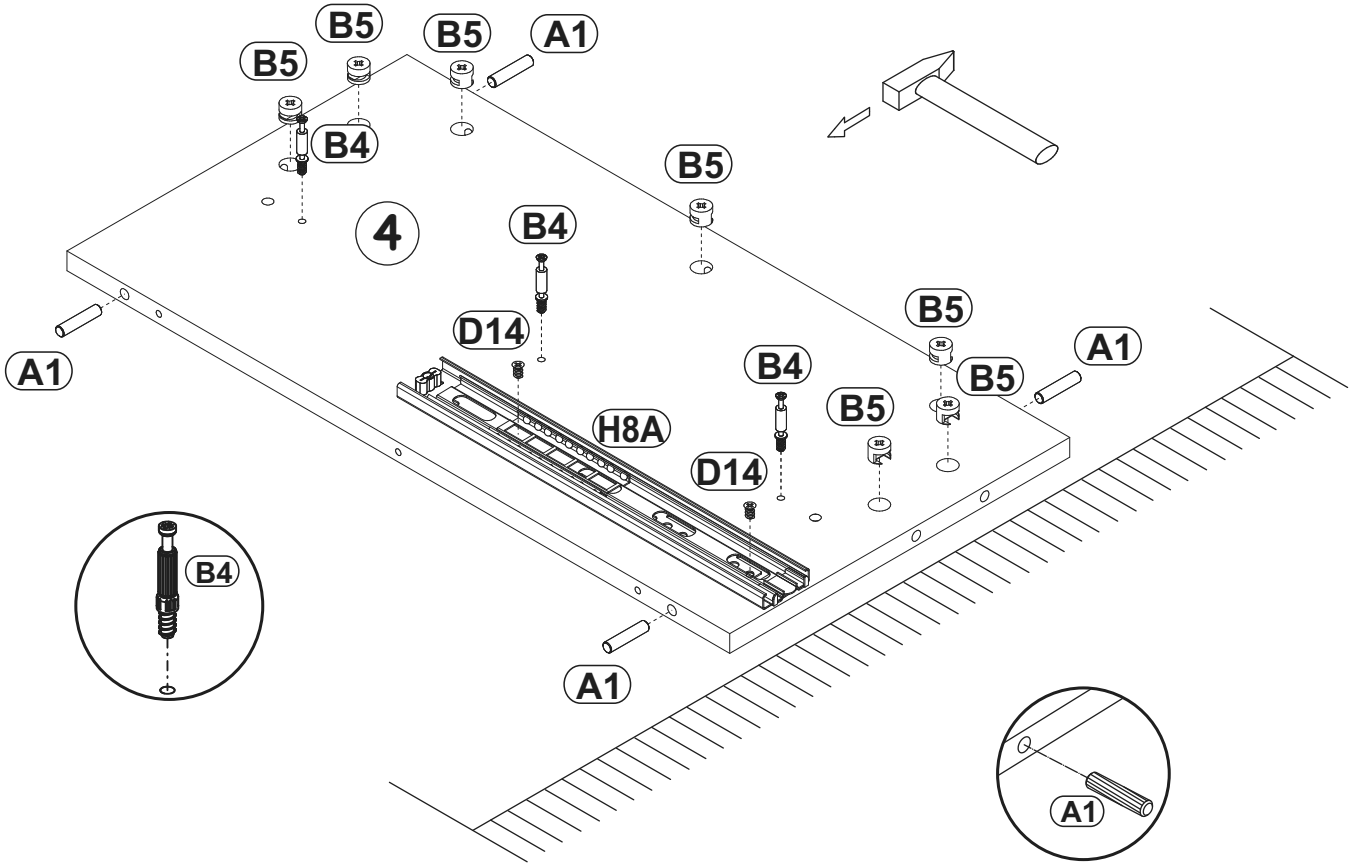
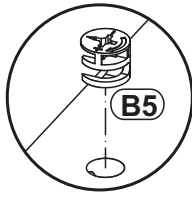
A1	Ø5/16"x1 27/64"
x4	 ø8x36

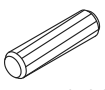
B5	Ø19/32"x15/32"
x7	 Ø15x12


D14	
x2	ESØ6,3x13

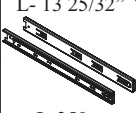
B4	
x3	

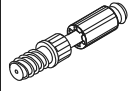
H8	L- 13 25/32"
x1	L-350mm.




A1	Ø5/16"x1 27/64"
x4	 ø8x36

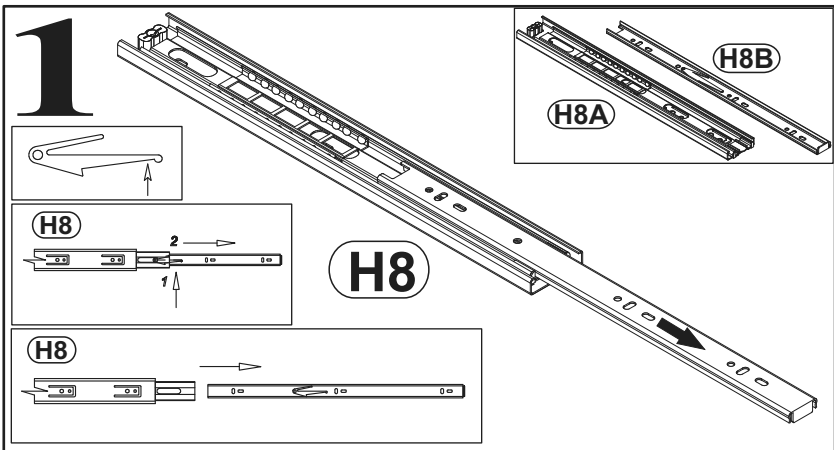
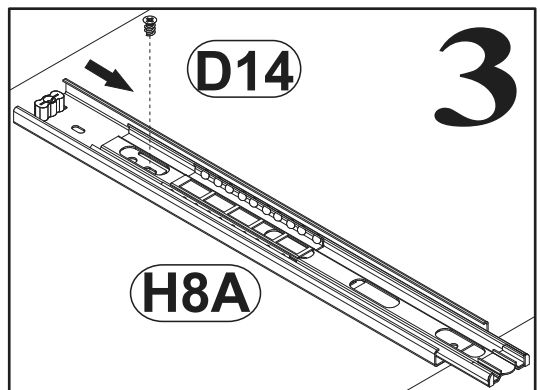
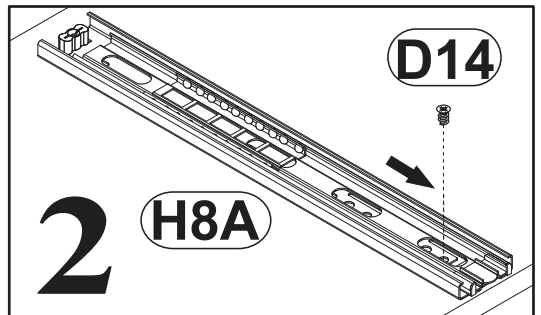
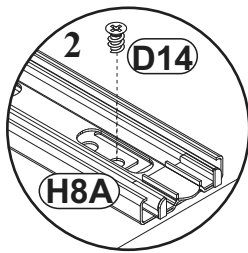
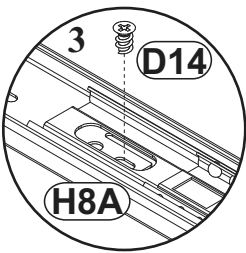
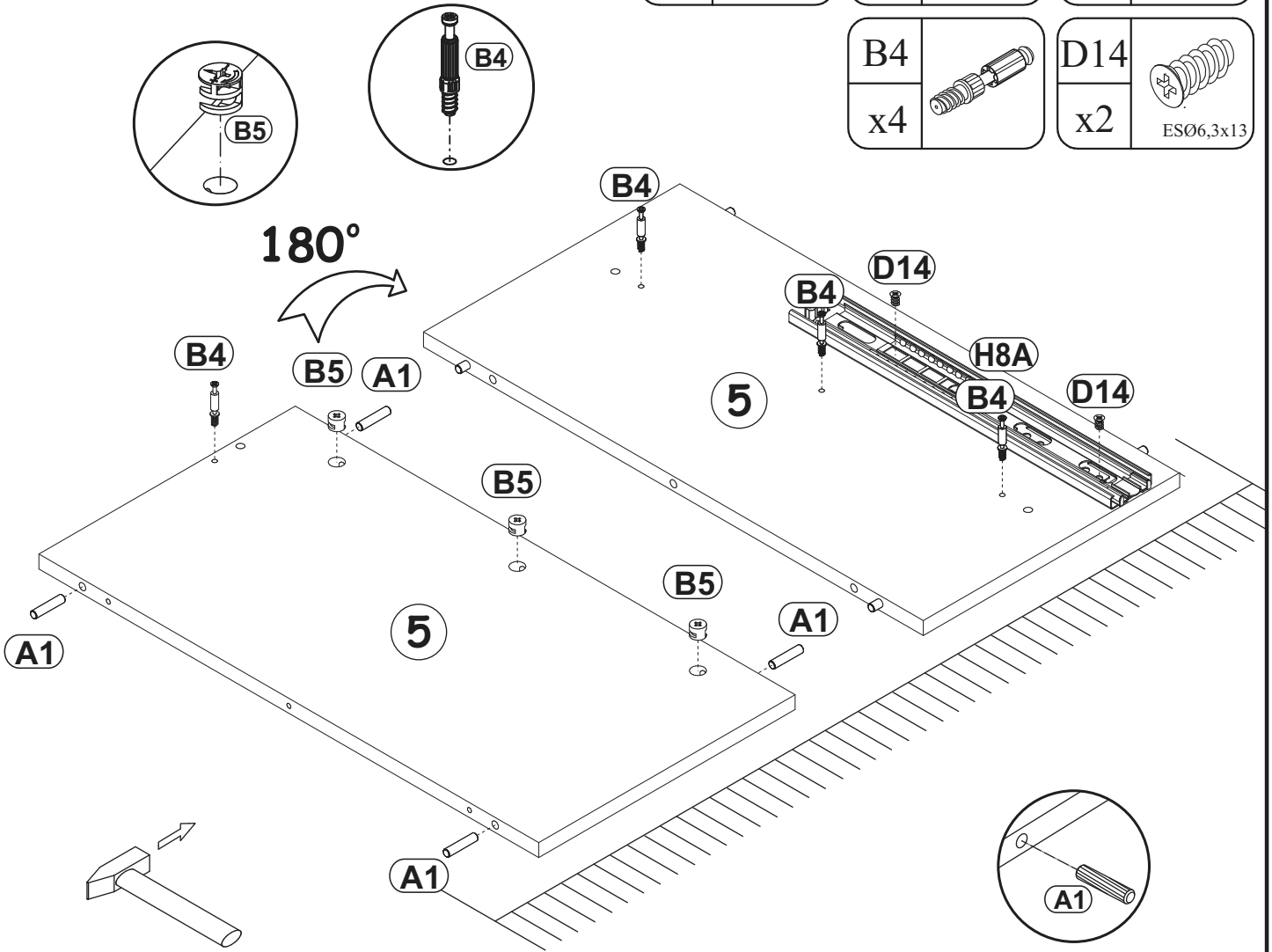
B5	Ø19/32"x15/32"
x3	 Ø15x12

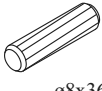
H8	L- 13 25/32"
x1	 L-350mm.

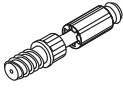
B4	
x4	

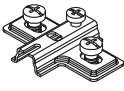
D14	
x2	ESØ6,3x13

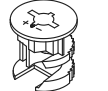
2



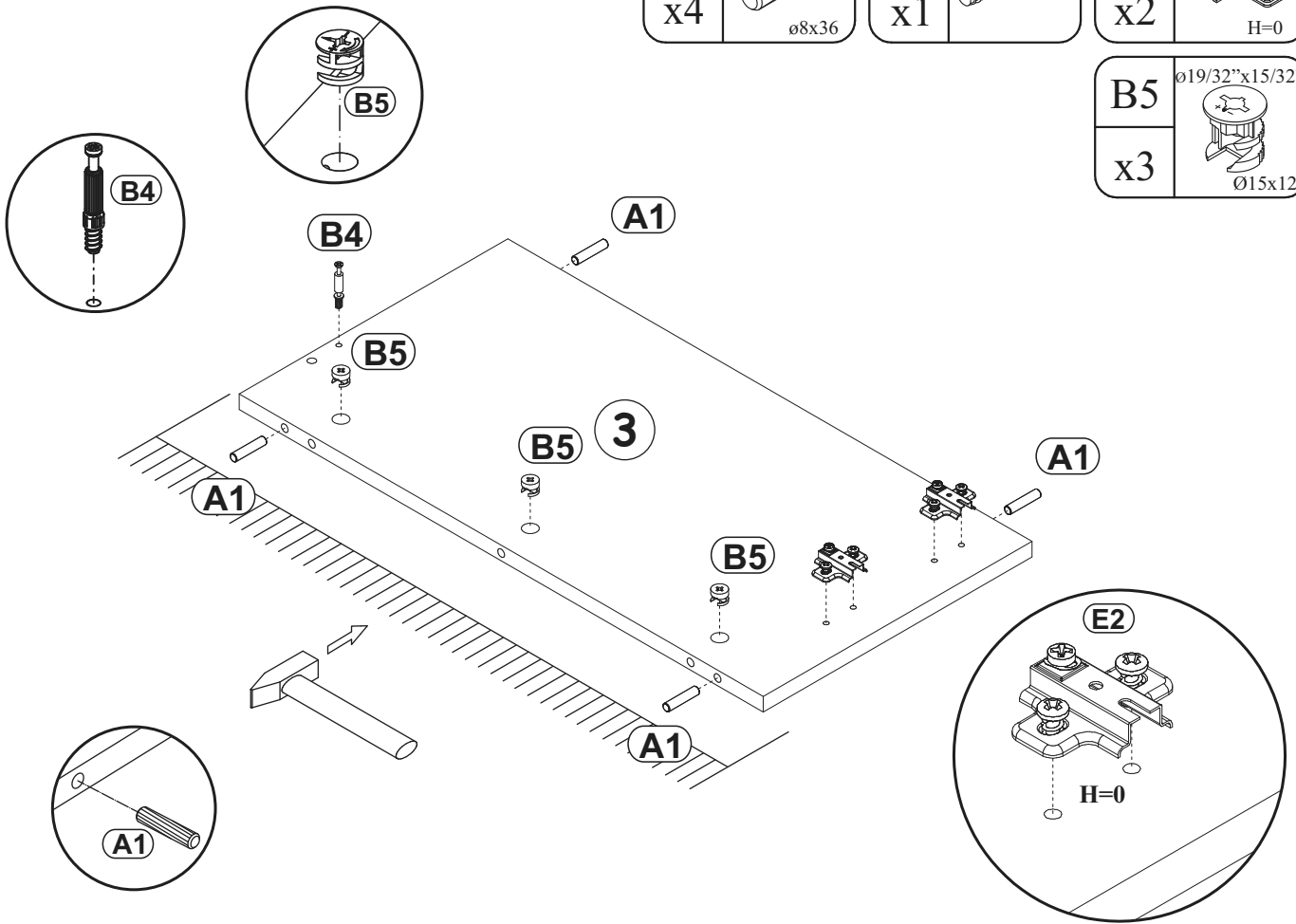
A1	Ø5/16"x1 27/64"
x4	 ø8x36

B4	
x1	

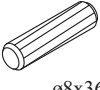
E2	
x2	H=0

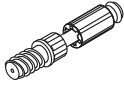
B5	Ø19/32"x15/32"
x3	 Ø15x12


3

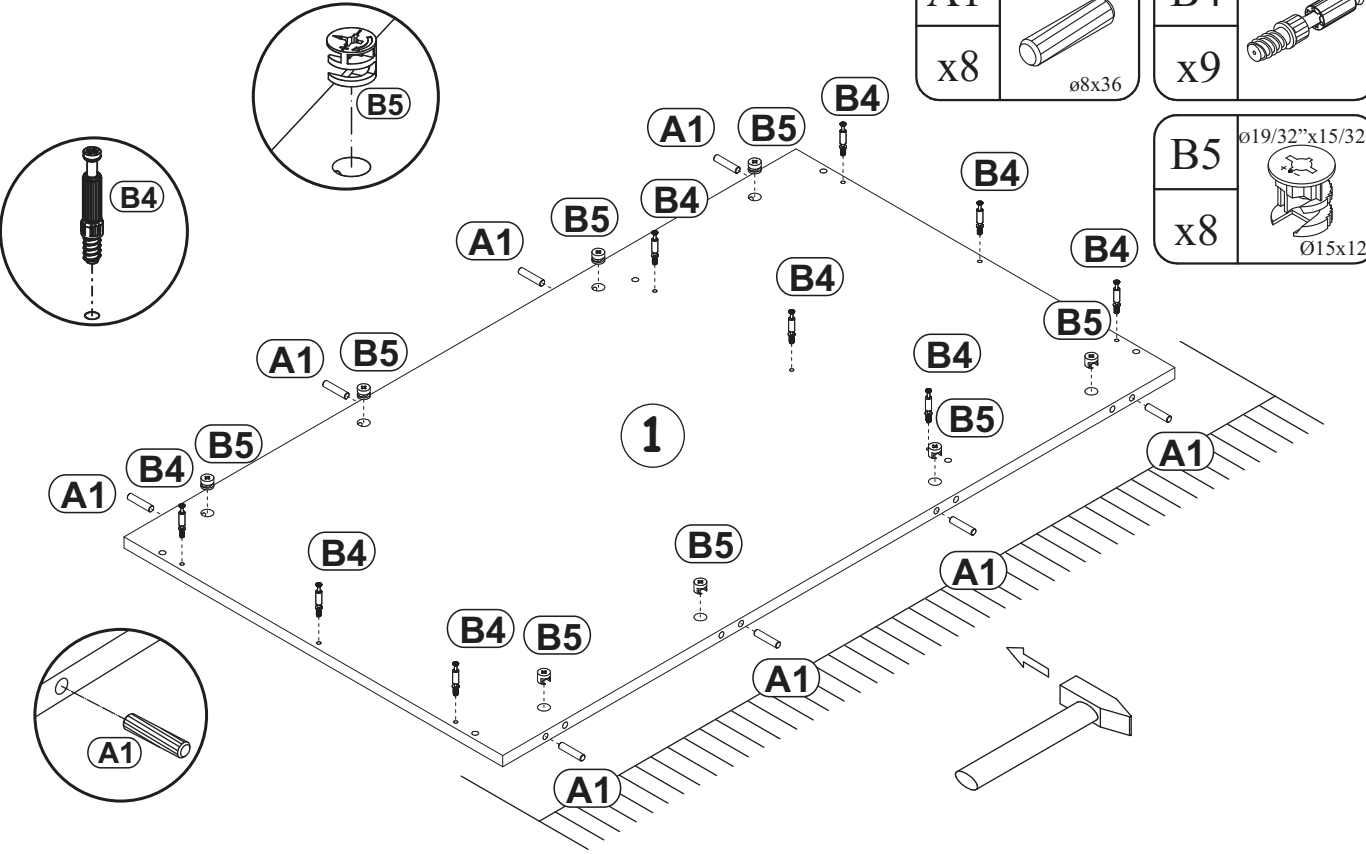


4

A1	Ø5/16"x1 27/64"
x8	 ø8x36

B4	
x9	

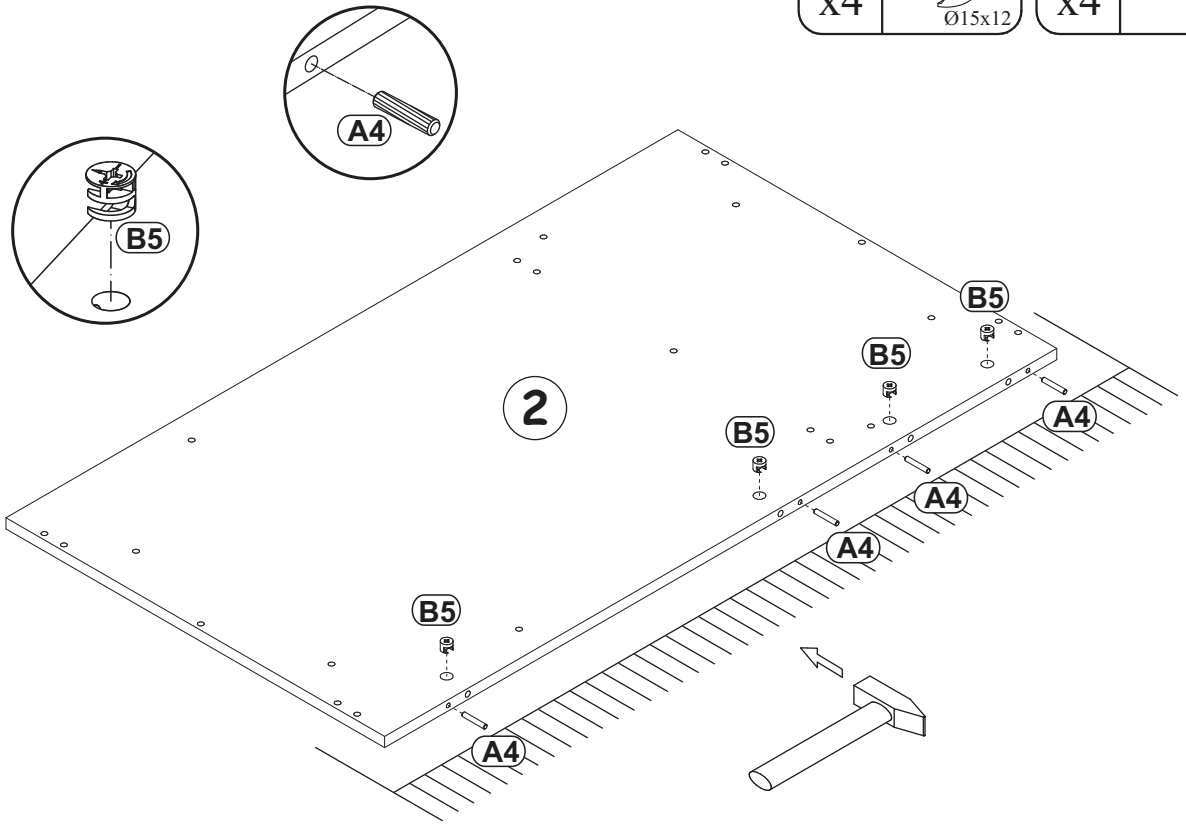
B5	Ø19/32"x15/32"
x8	 Ø15x12



5

B5	ø19/32"x15/32"
x4	Ø15x12

A4	Ø15/64"x1 27/64"
x4	Ø6x36

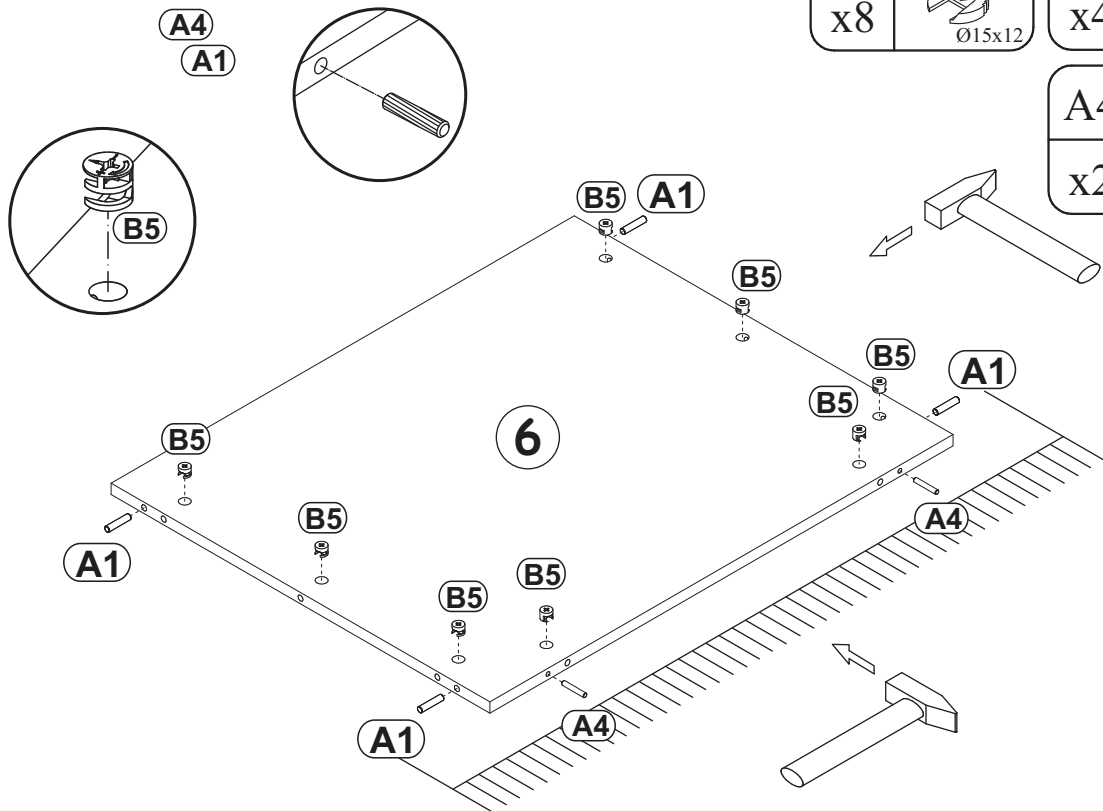


6

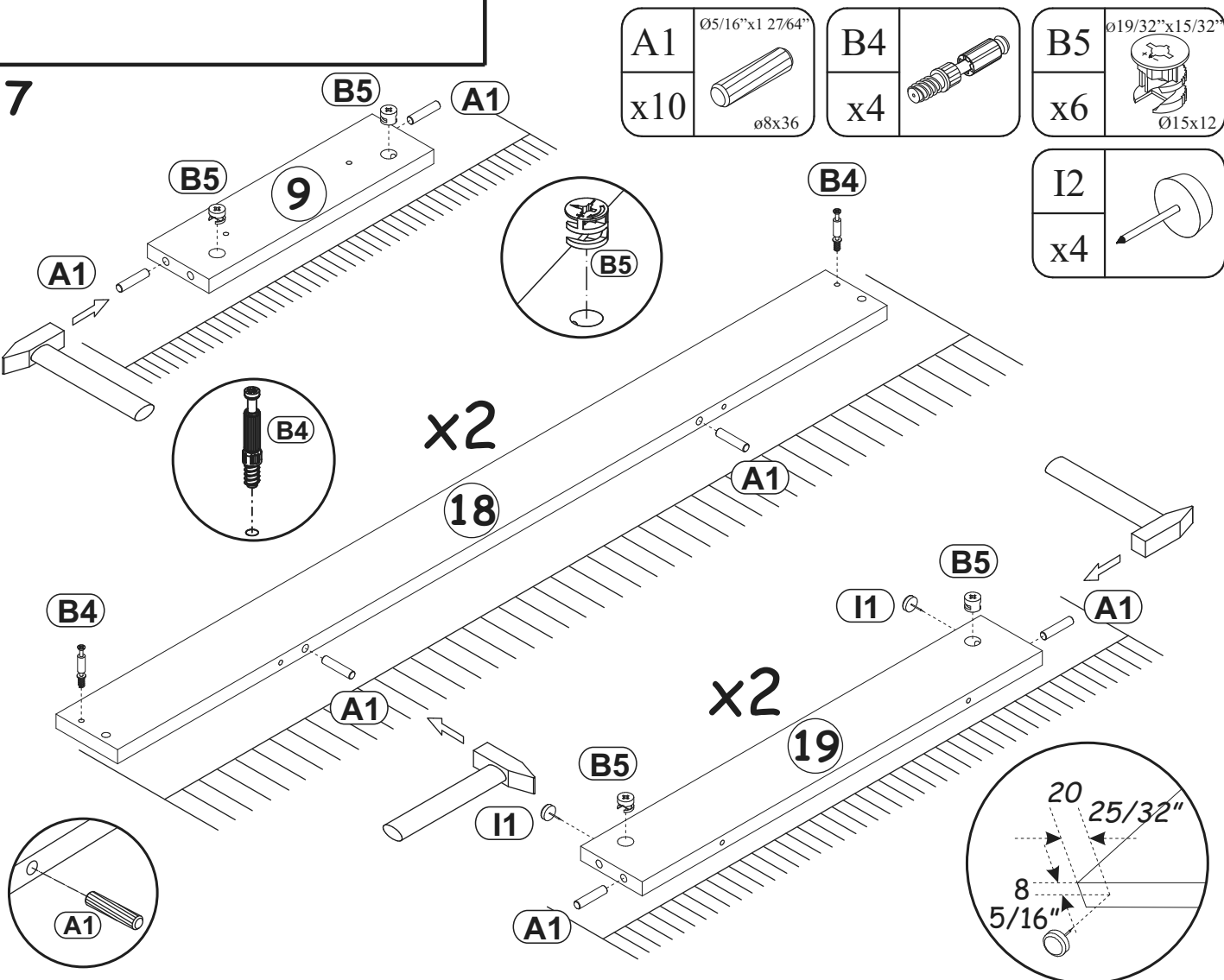
B5	ø19/32"x15/32"
x8	Ø15x12

A1	Ø5/16"x1 27/64"
x4	ø8x36

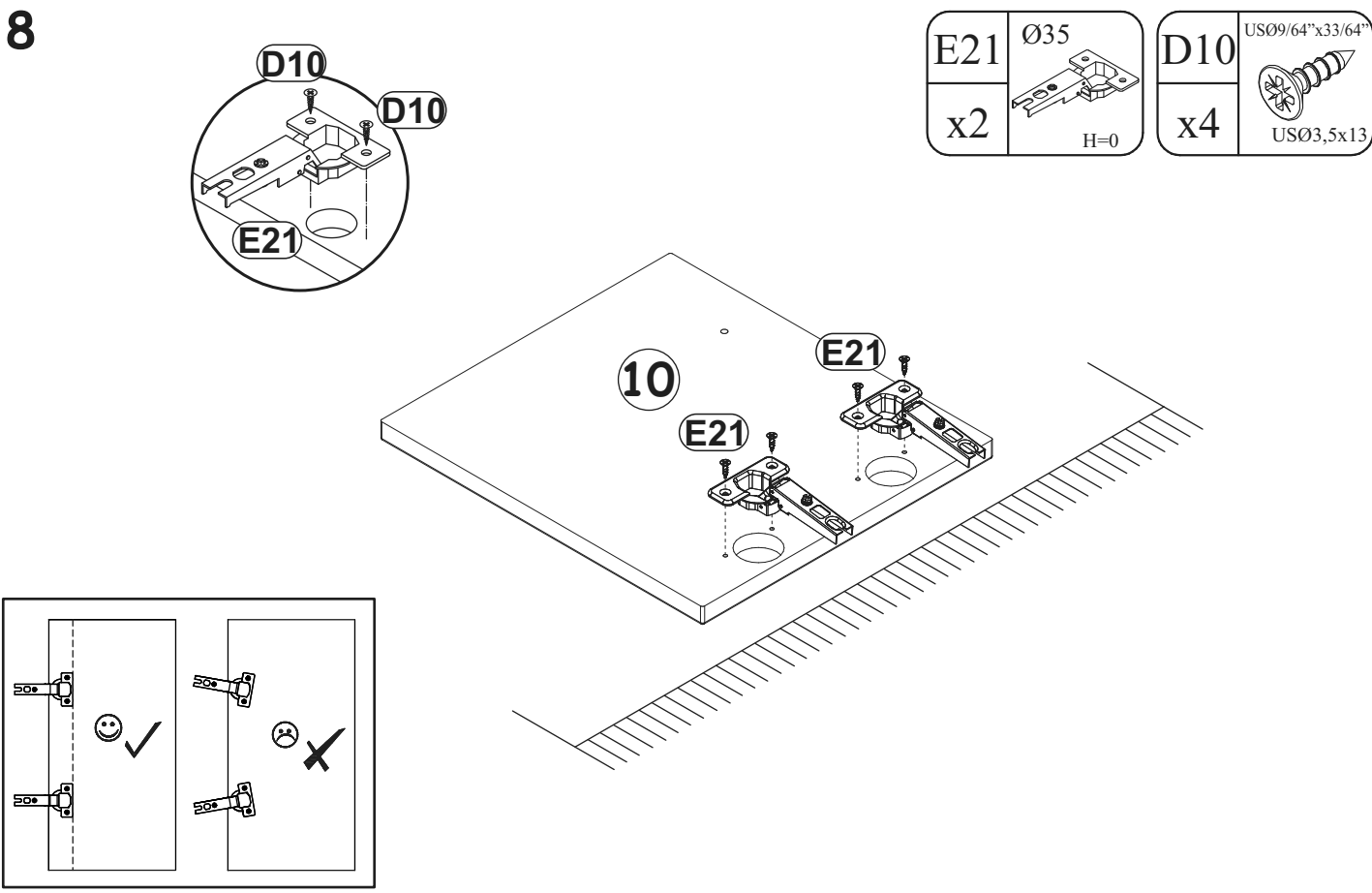
A4	Ø15/64"x1 27/64"
x2	Ø6x36



7



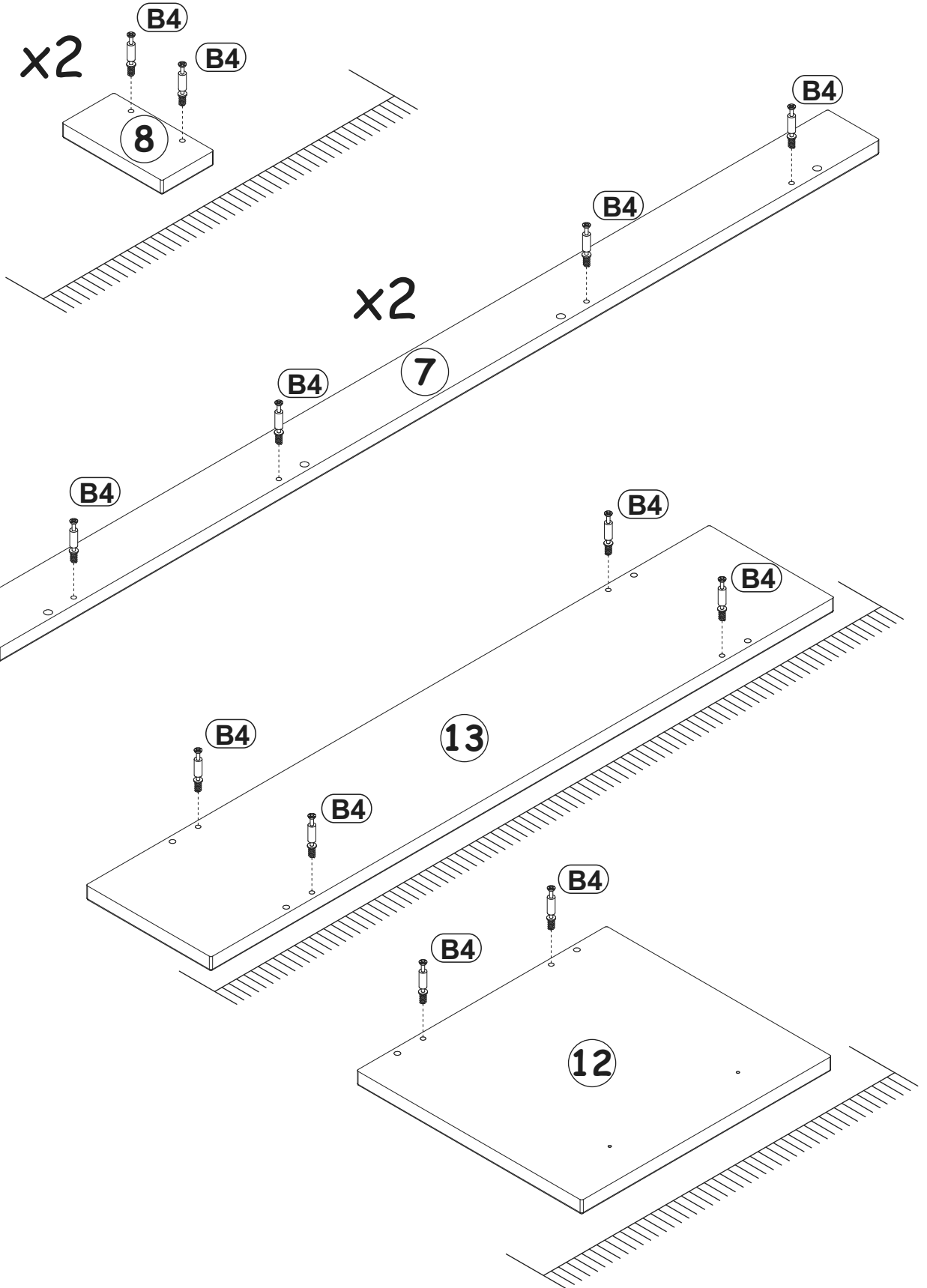
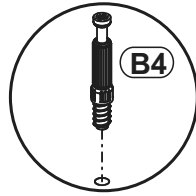
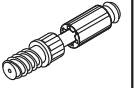
8



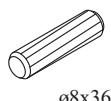

9

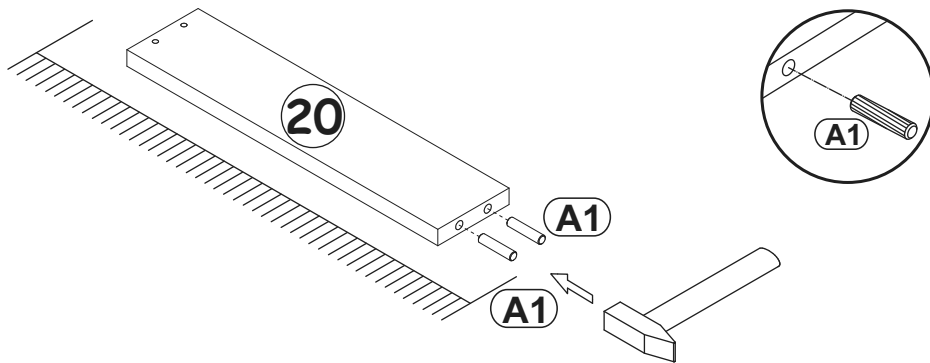
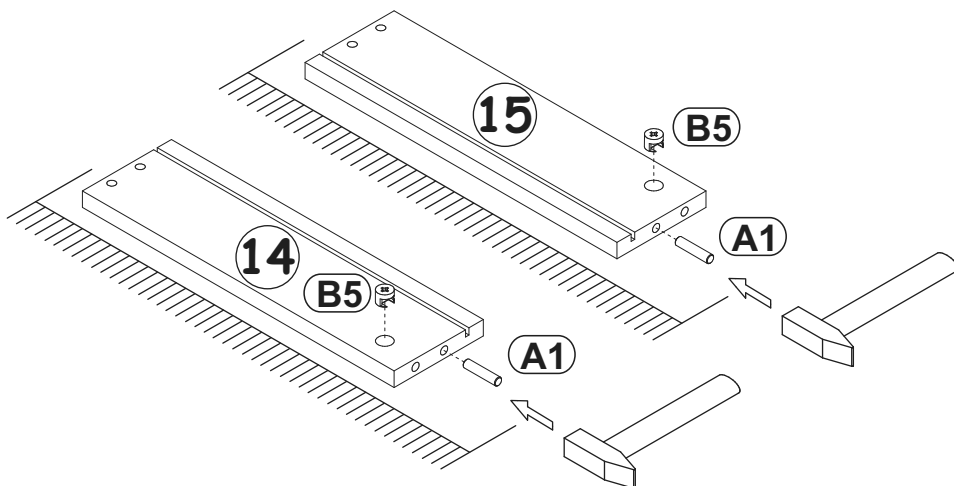
B4

x18

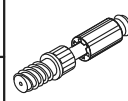


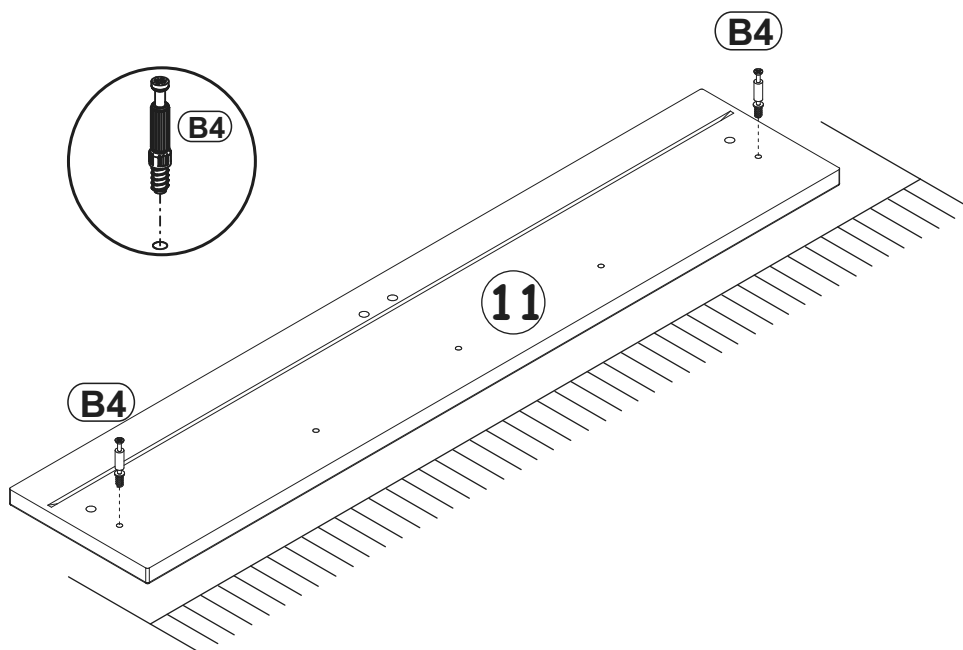
10


A1	Ø5/16"x1 27/64"	B5	Ø19/32"x15/32"
x4	 ø8x36	x2	 Ø15x12



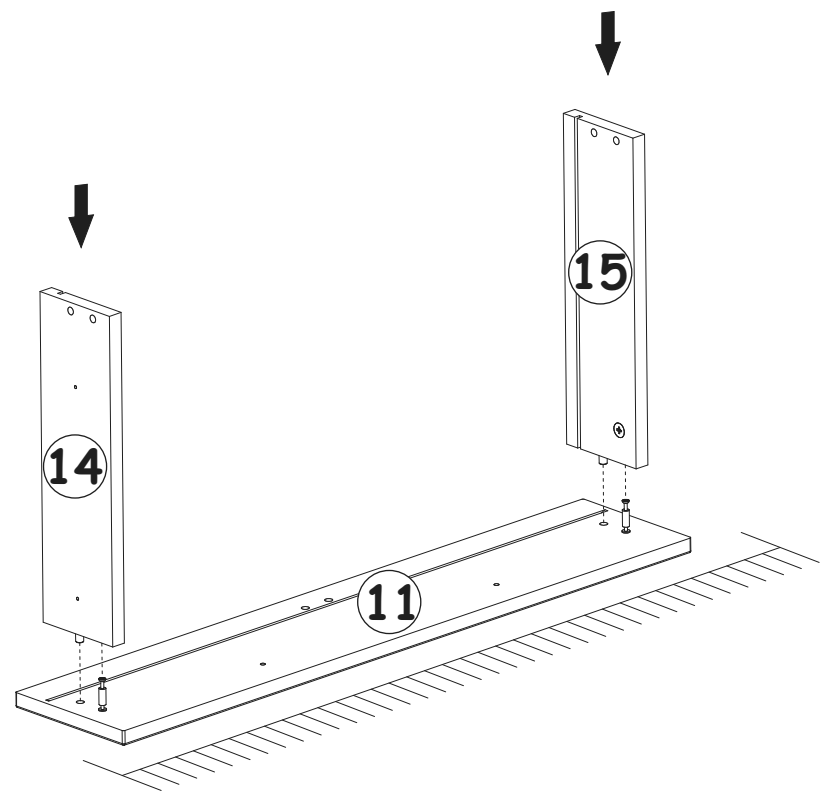
11

B4	
x2	

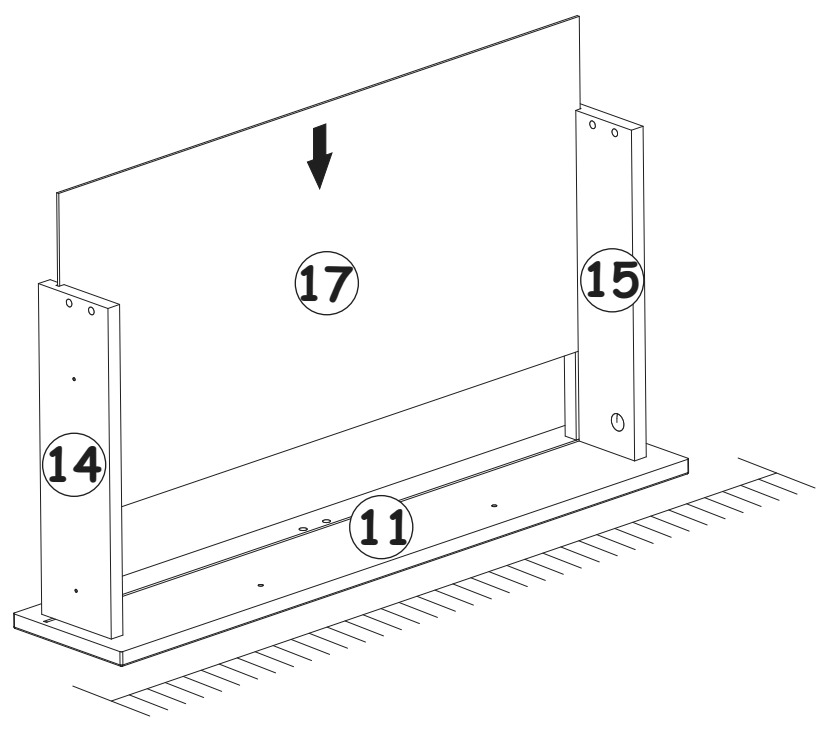


G5	
x2	



12

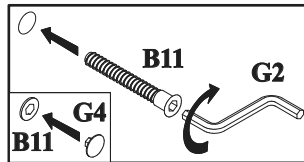
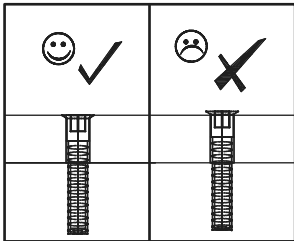
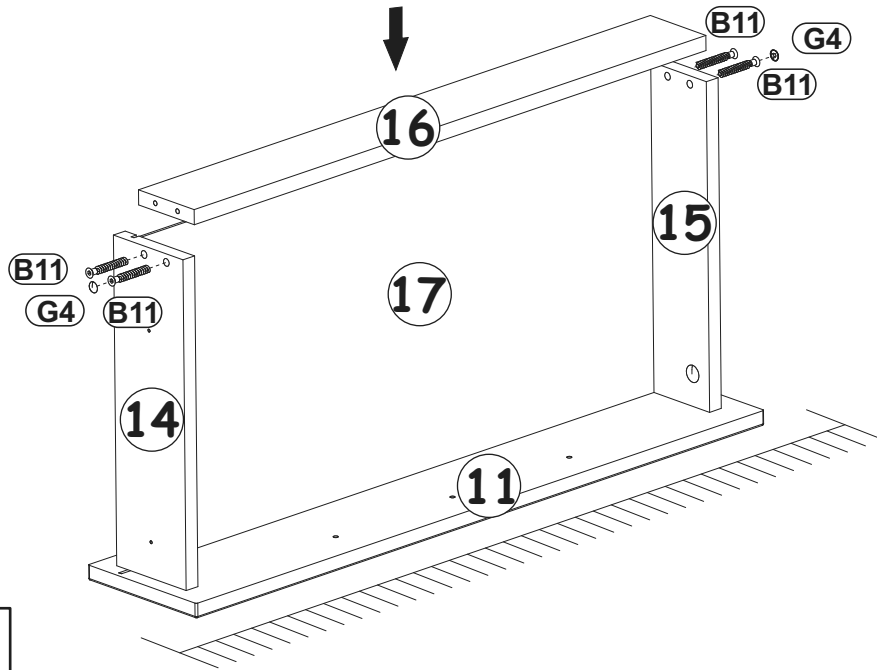


13



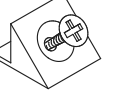

14

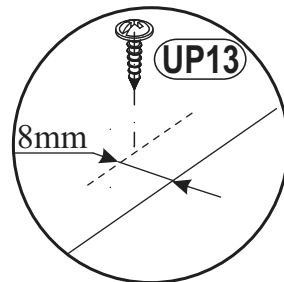
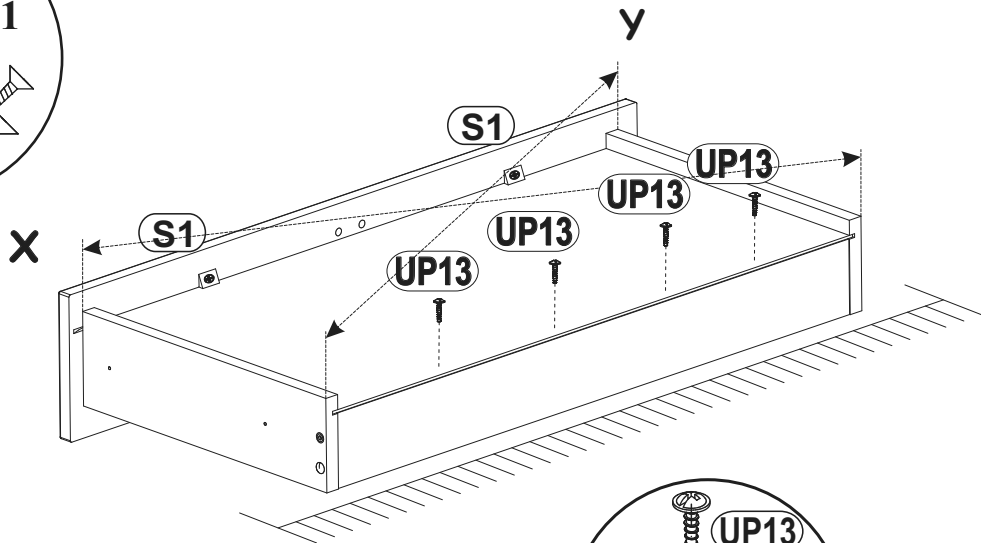
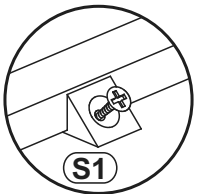
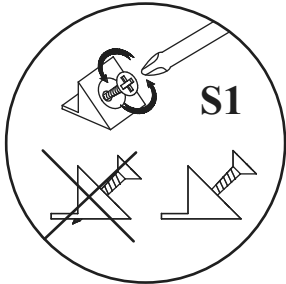
G4		B11	Ø9/32"x1 31/32"
x2		x4	 Ø7x50



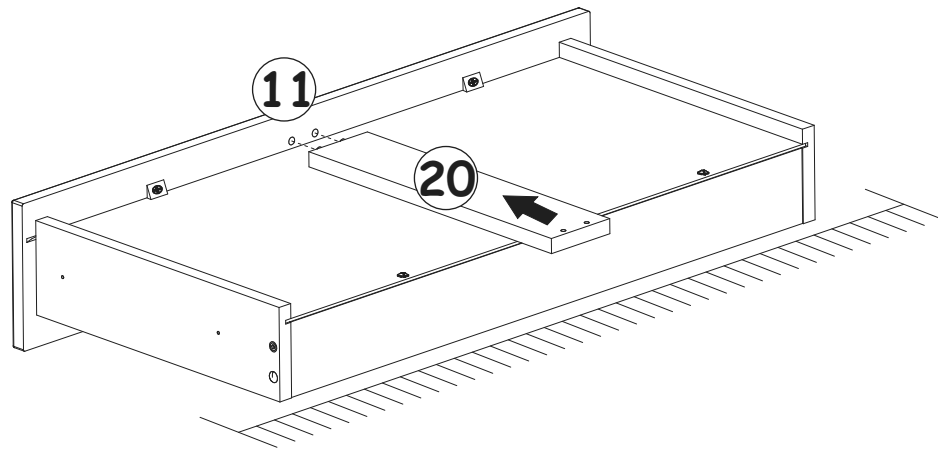
15



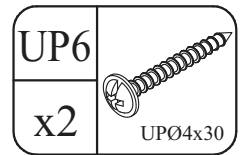
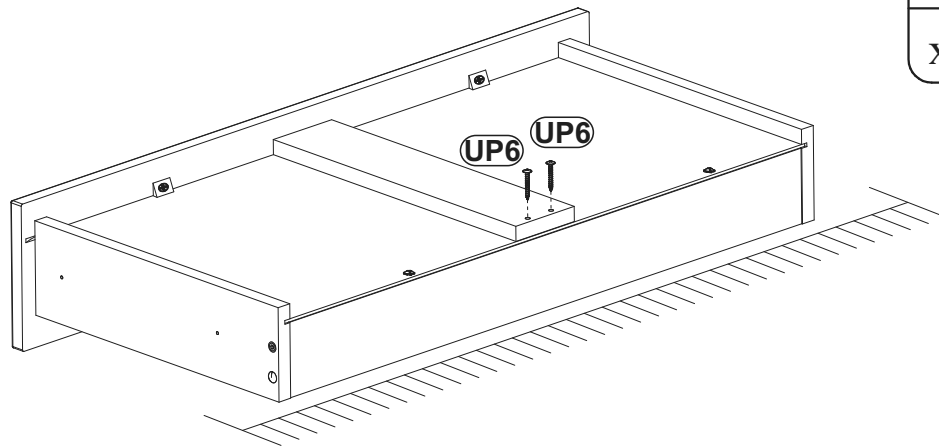
S1		UP13	USØ1/8"x5/8"
x2		x4	 UPØ3x16



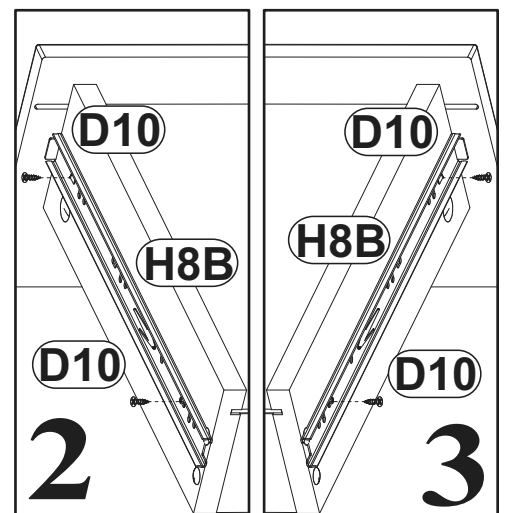
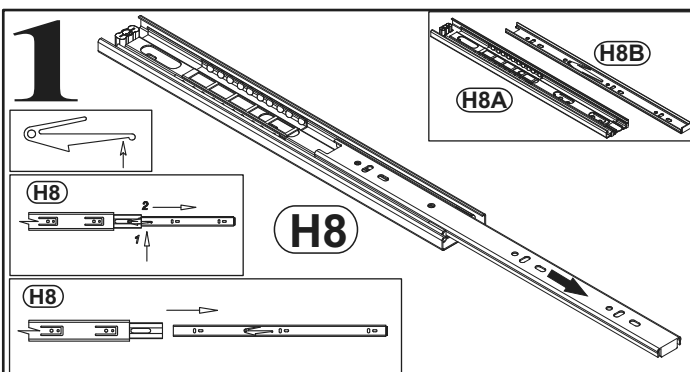
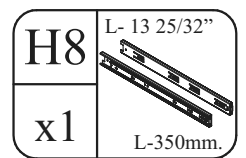
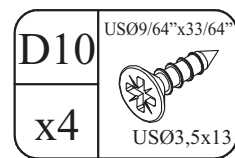
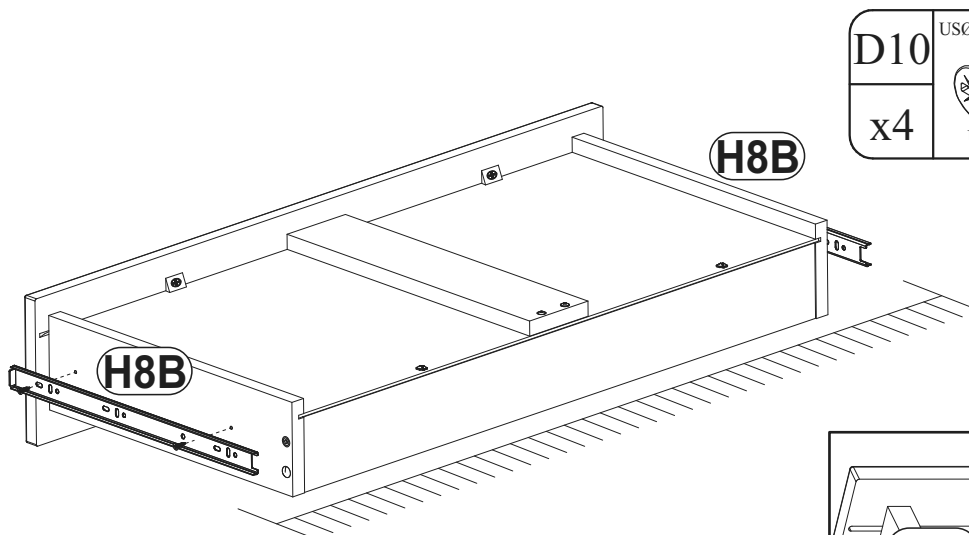
16



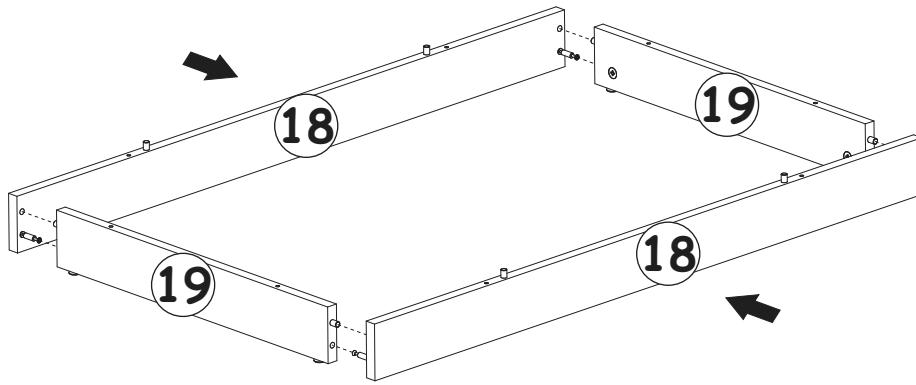
17



18

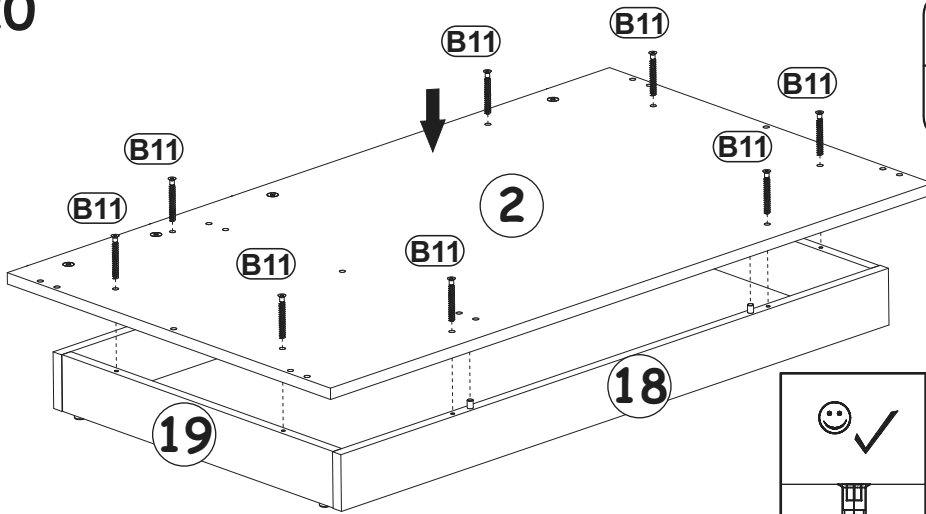


19



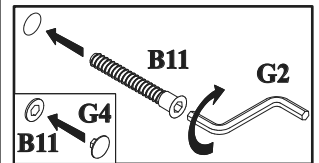
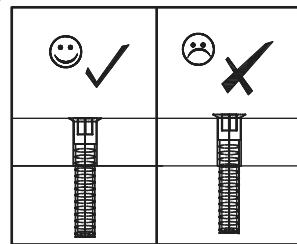
G5	
x4	

20

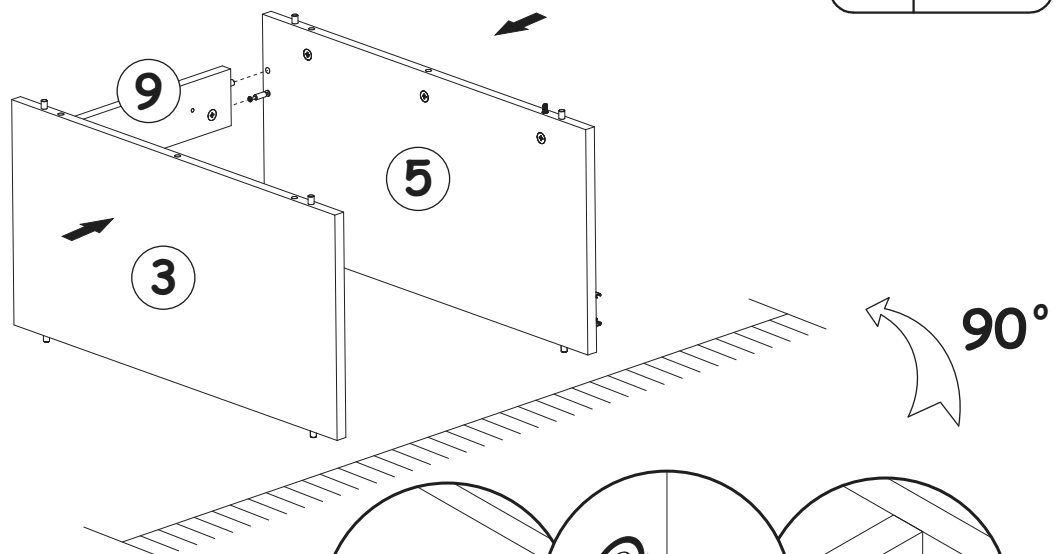


B11	Ø9/32"x1 31/32"
x8	Ø7x50

G4	
x8	

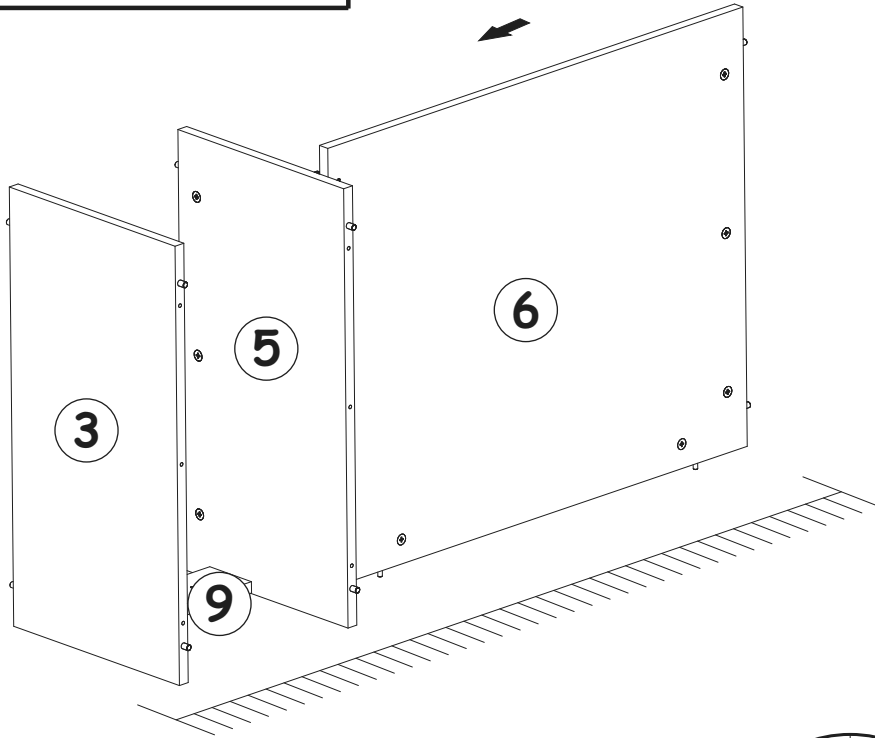



21

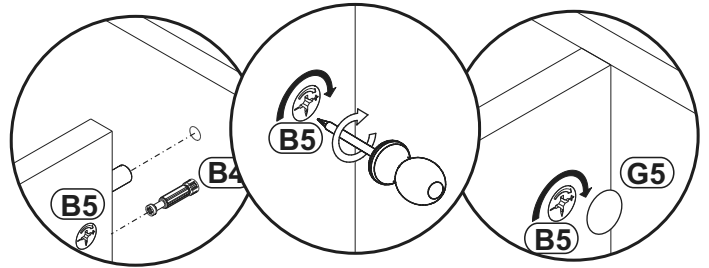


G5	
x2	

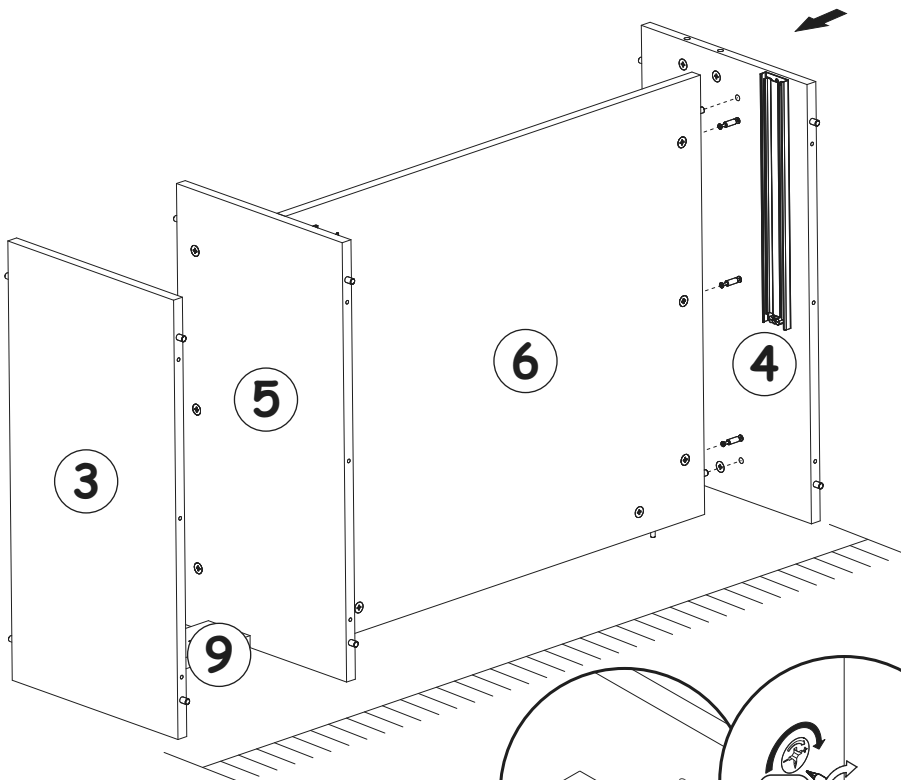
22




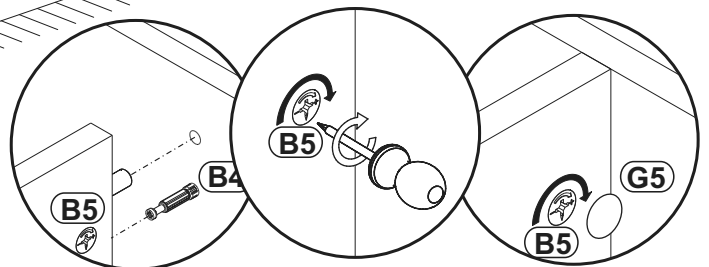
G5	
x3	




23

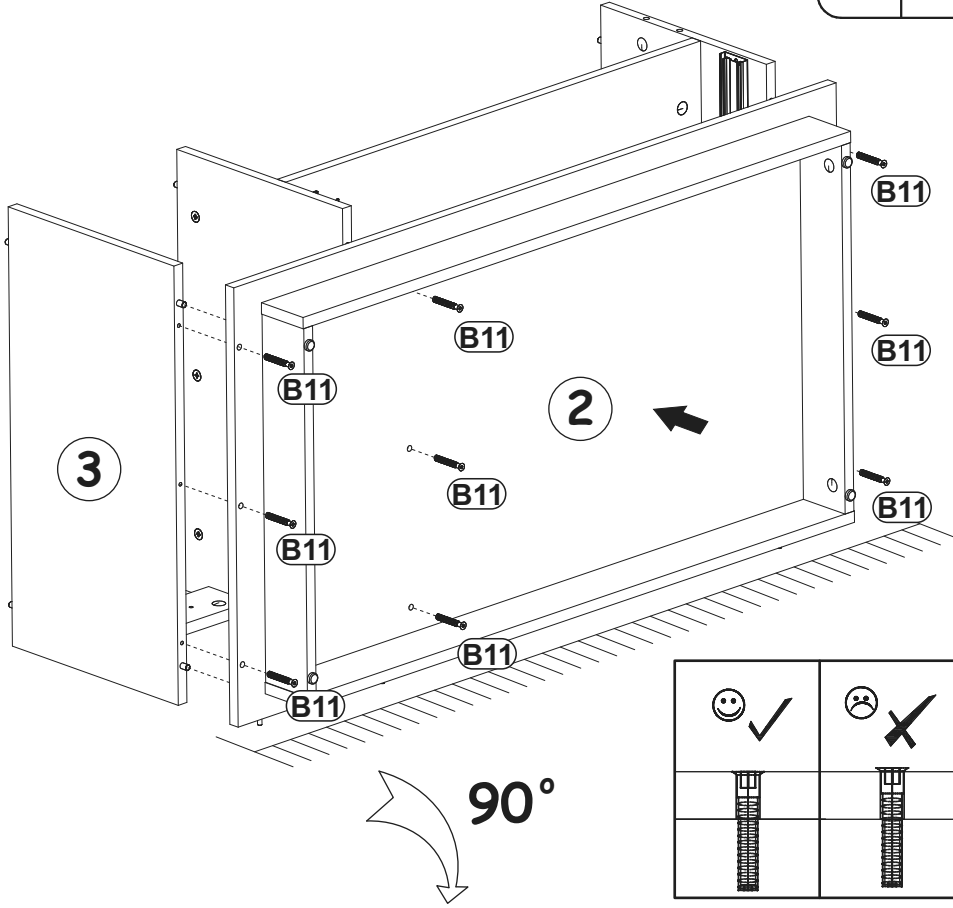


G5	
x3	




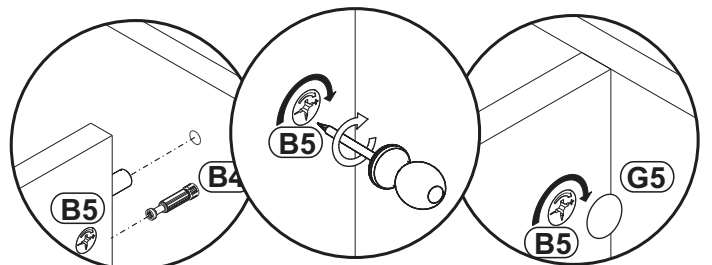
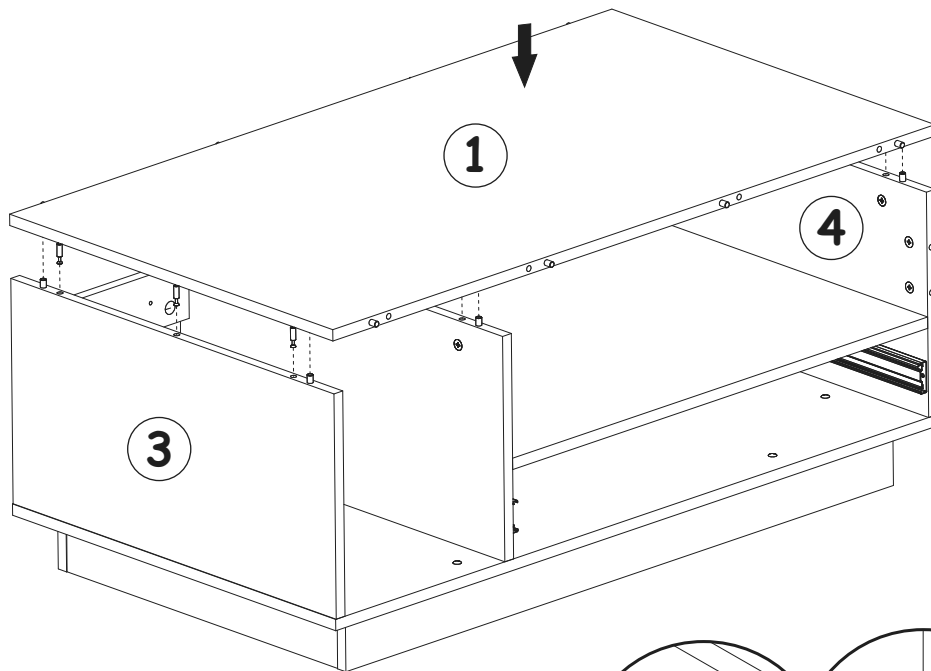
24

B11	Ø9/32"x1 31/32"	G4	
x9	Ø7x50	x9	

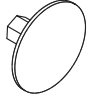


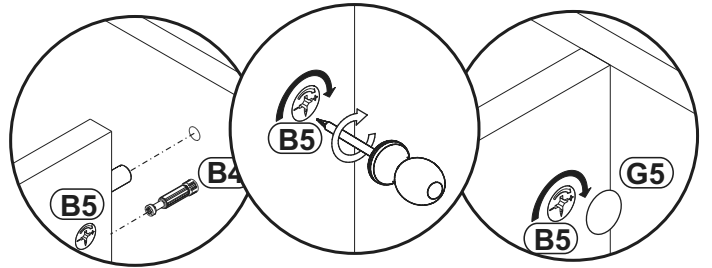
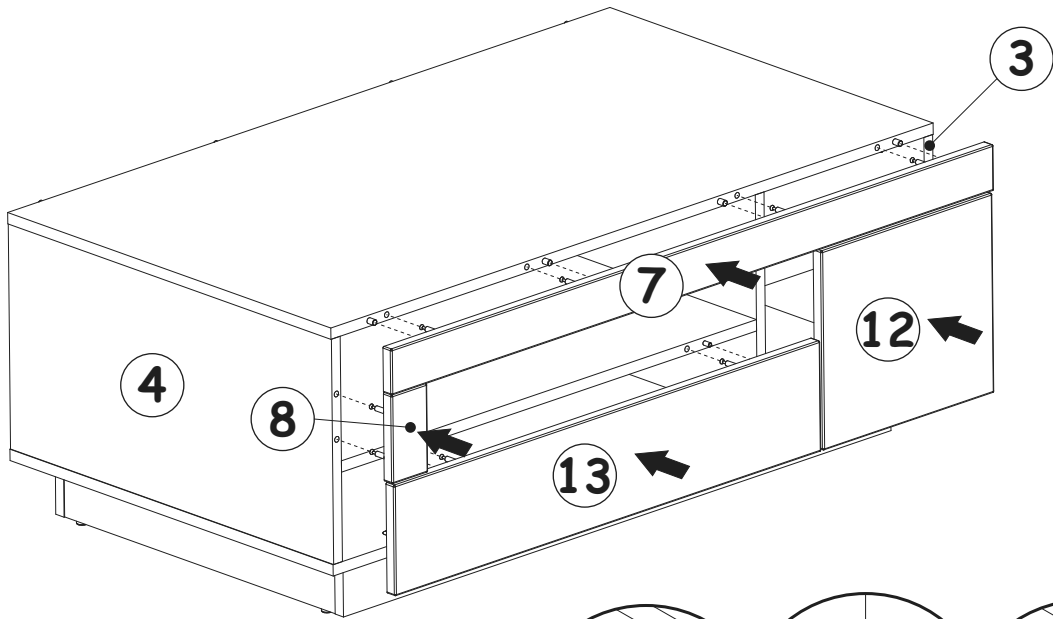
25

G5	
x9	




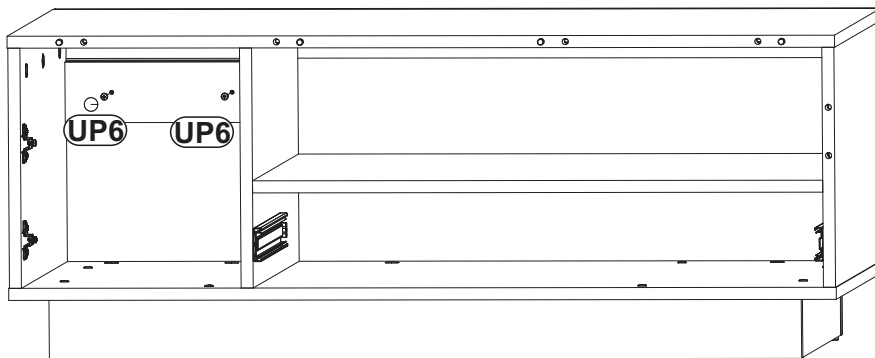
26

G5	
x12	




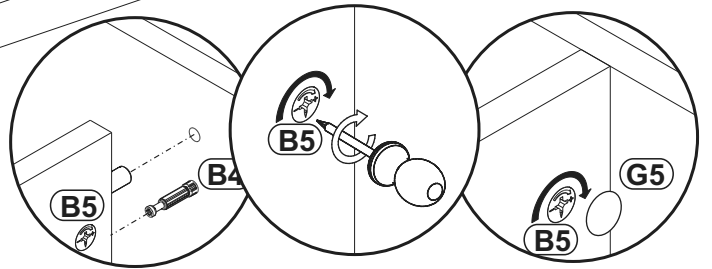
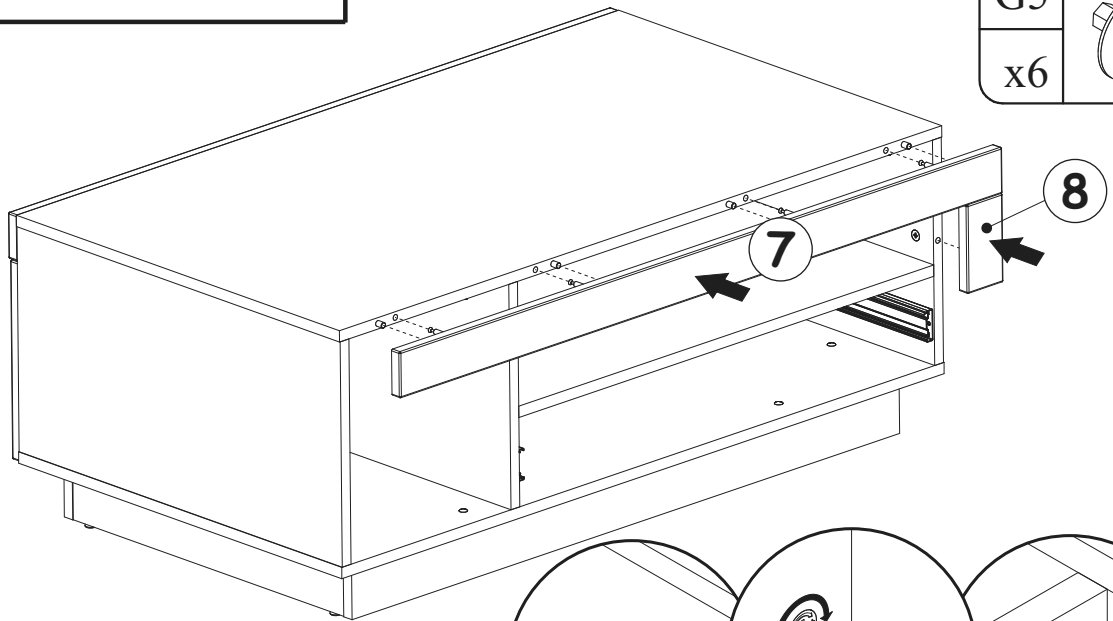
27

UP6	
x2	UPØ4x30

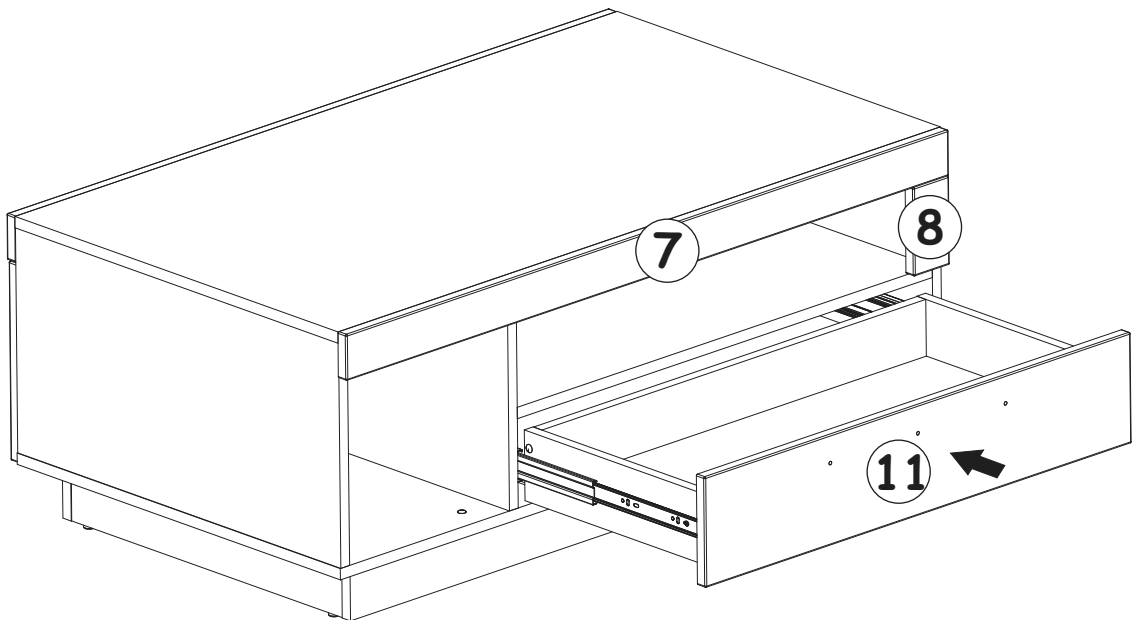
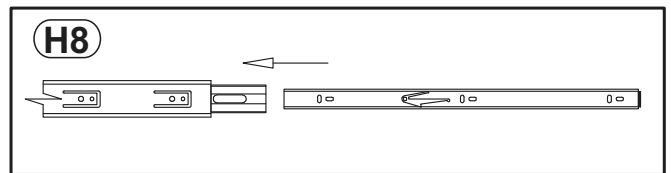


28

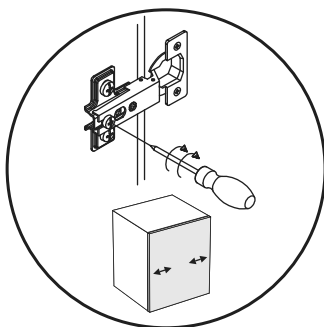
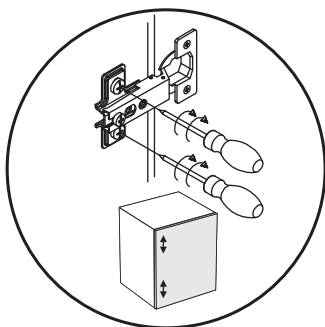
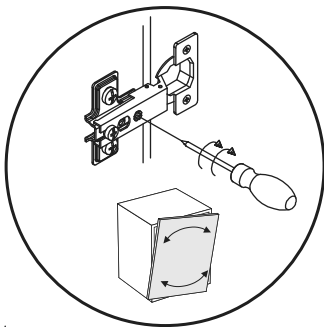
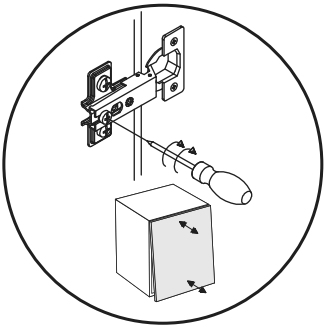
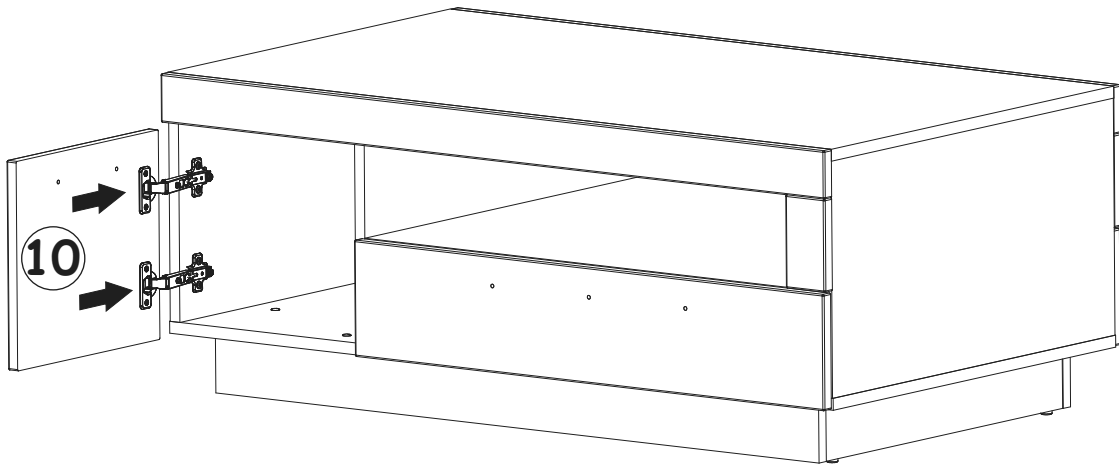
G5	
x6	



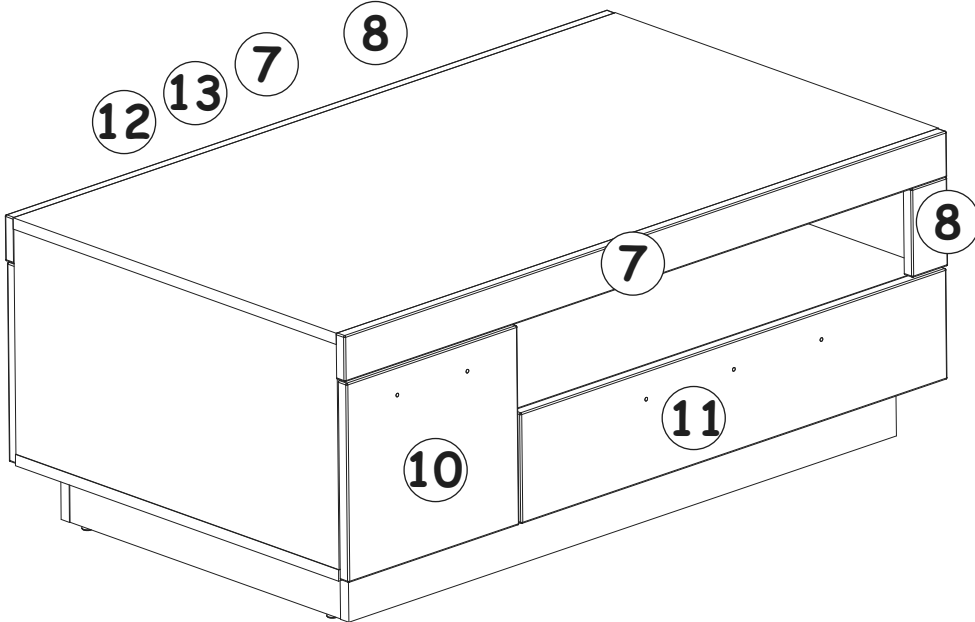
29



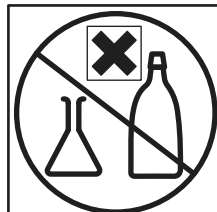
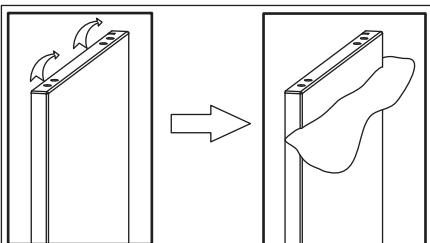
30



31




7 8 10 11 12 13

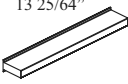


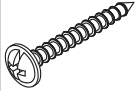
32

BG1	L-5 3/64"/5 53/64"
x1	L-128/148mm.



BG2	L-12 19/32"/13 25/64"
x1	L-320/340mm.



UP6	
x5	UPØ4x30

