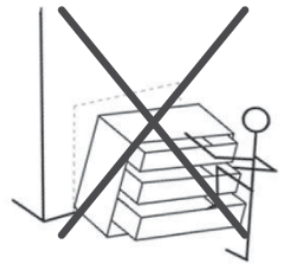
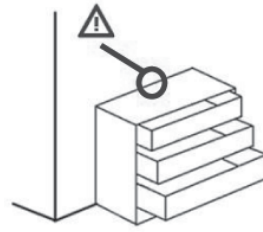
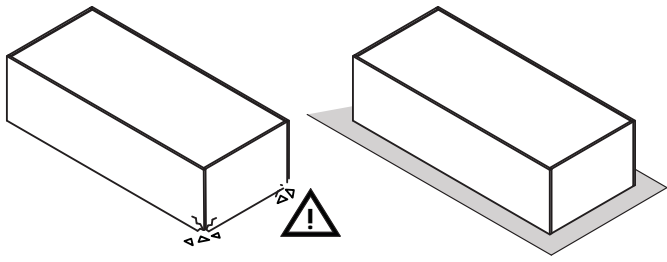
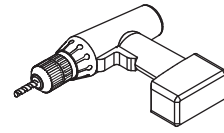
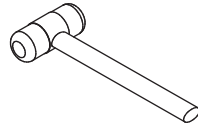
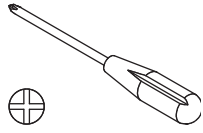
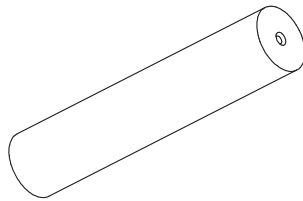


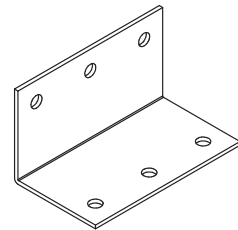
2,5h



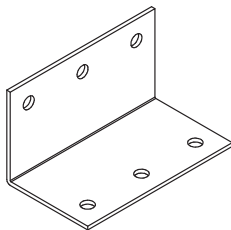
W307  
x1



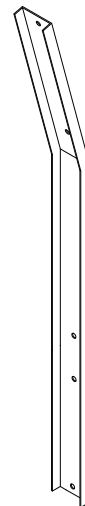
W557  
x2



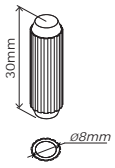
W186  
x1



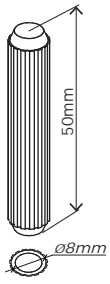
W186  
x4



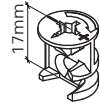
W307  
x2



**H1**  
x20



**H32**  
x8



**T92**  
x6



**T7**  
x6



**T99**  
x16



**T28**  
x12



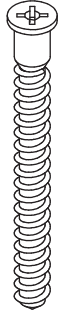
**T119**  
x8



**V57**  
x8



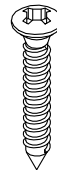
**V10**  
x45



**V115**  
x4



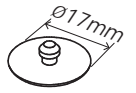
**V131**  
x4



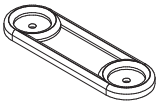
**V159**  
x20



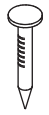
**H54**  
x20



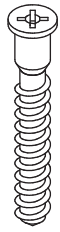
**G57**  
x4



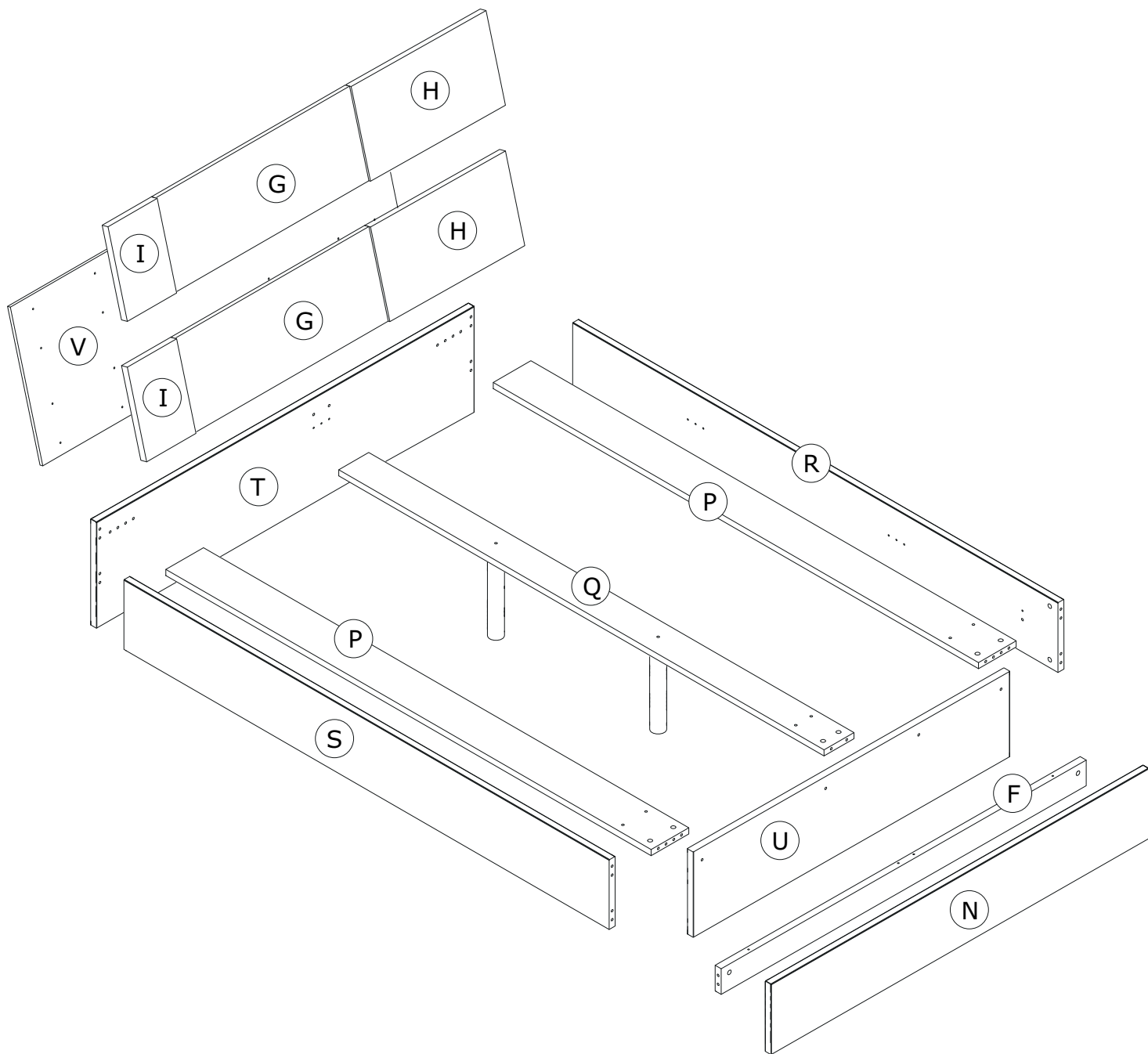
**P16**  
x8

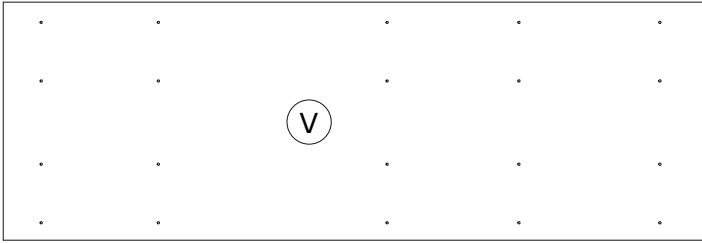


**H15**  
x16

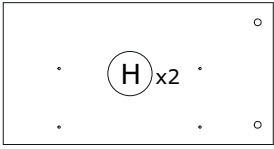


**V45**  
x2

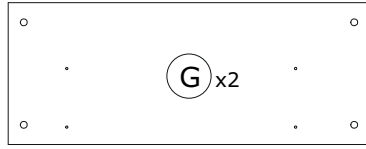




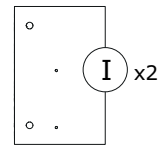
1530x520x12mm



590x310x25mm

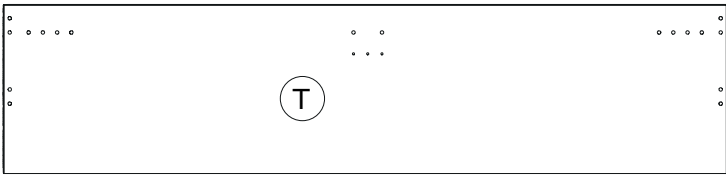


790x310x18mm

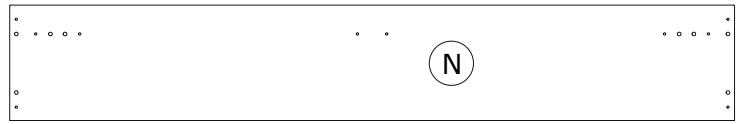


204x310x25mm

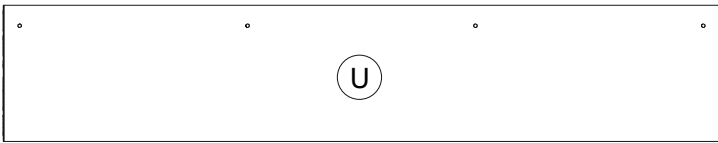
**BOX 1/3**



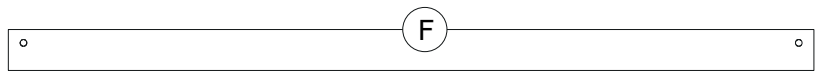
1584x380x25mm



1584x252x25mm

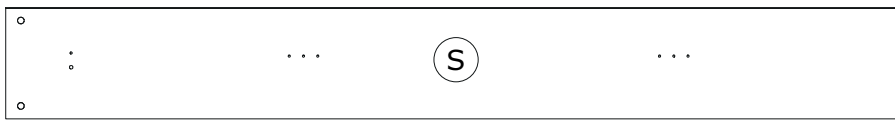


1330x306x25mm

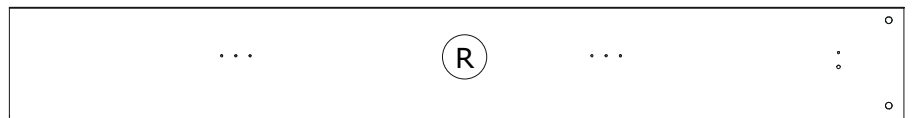


1530x92x25mm

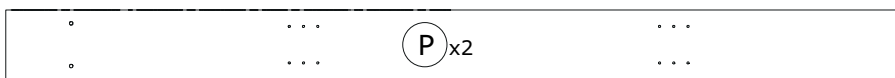
**BOX 2/3**



2030x250x25mm



2030x250x25mm



2030x156x22mm



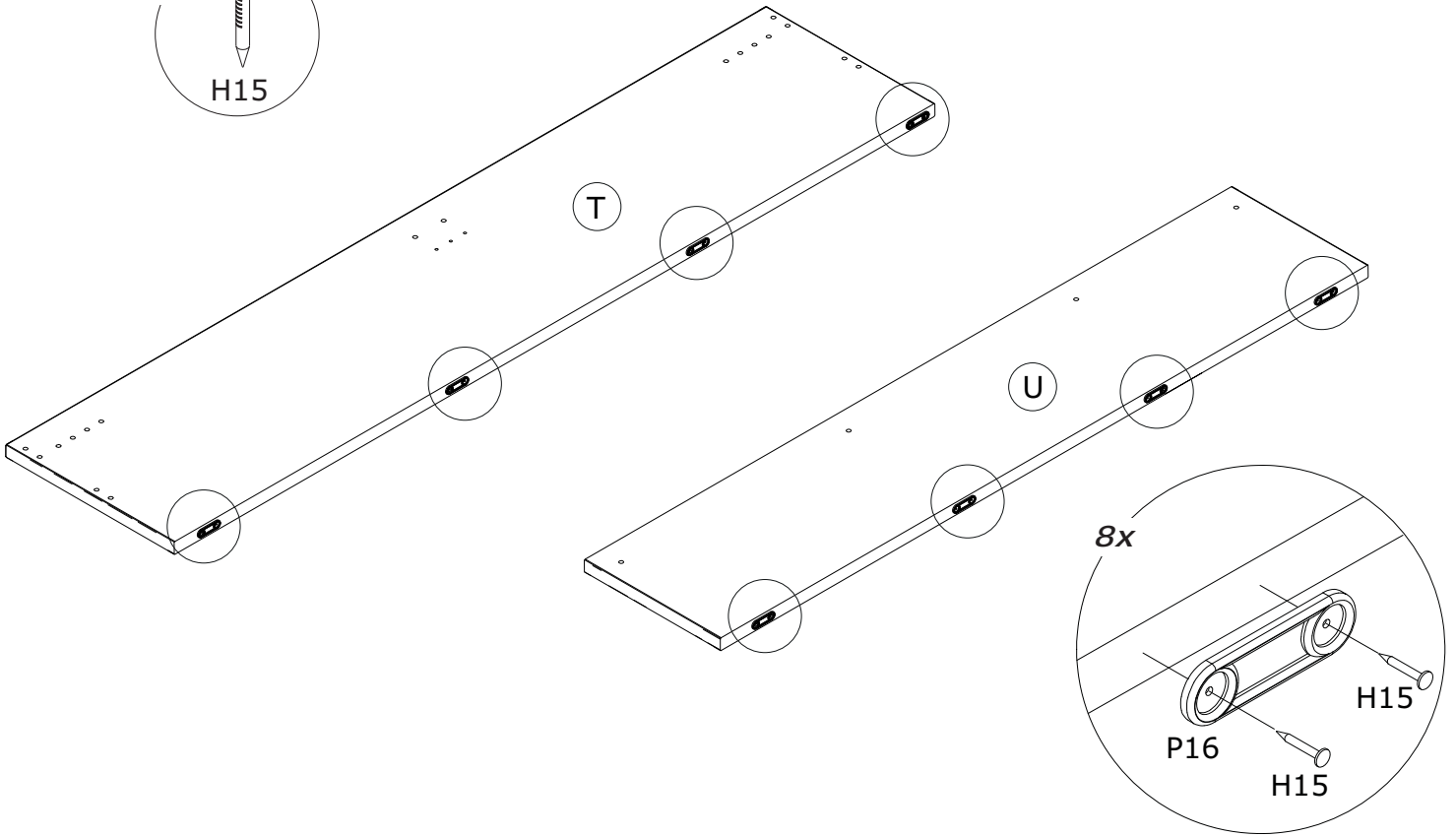
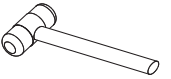
2030x124x22mm

**BOX 3/3**

1

16x

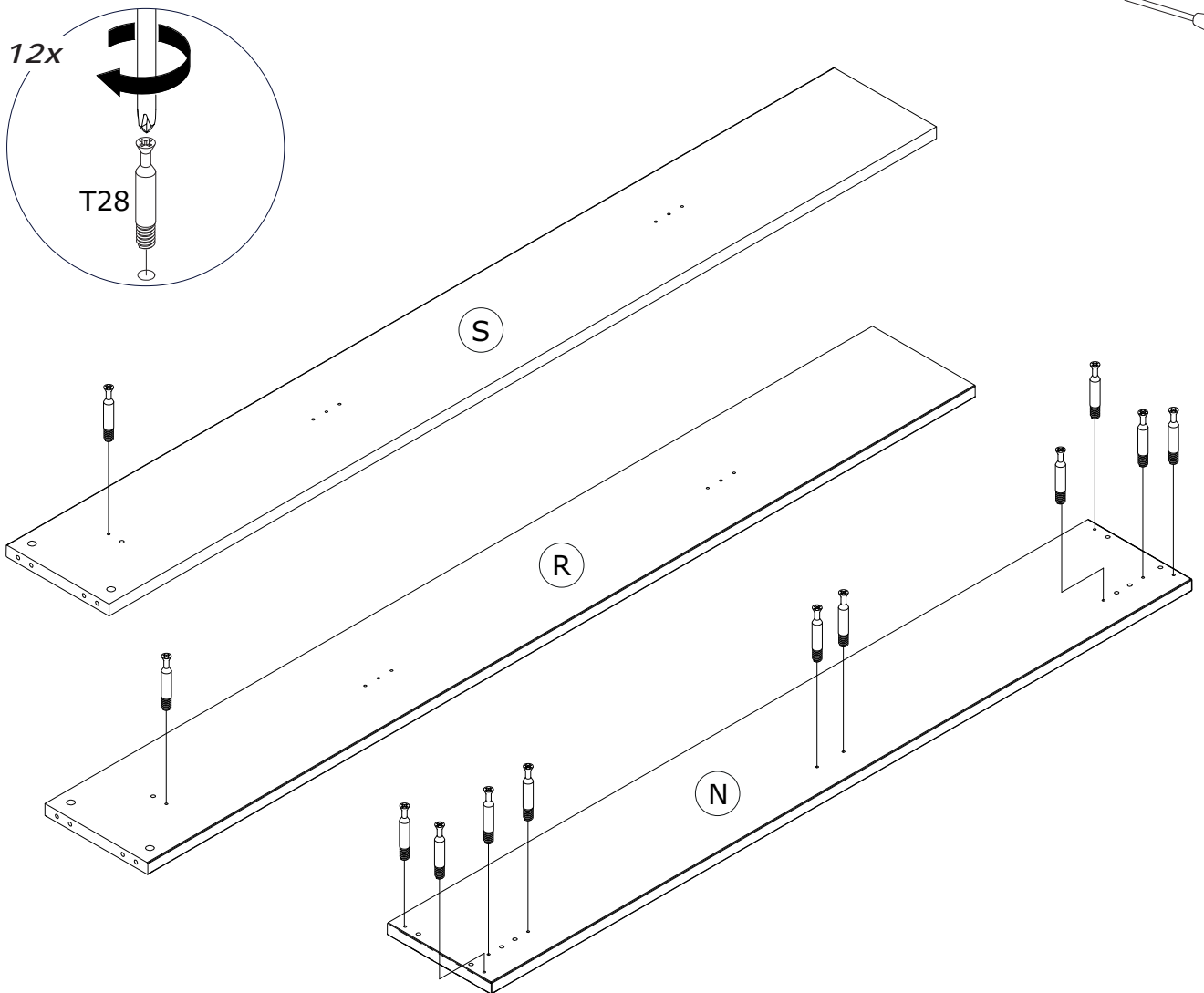
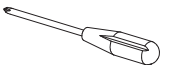
H15



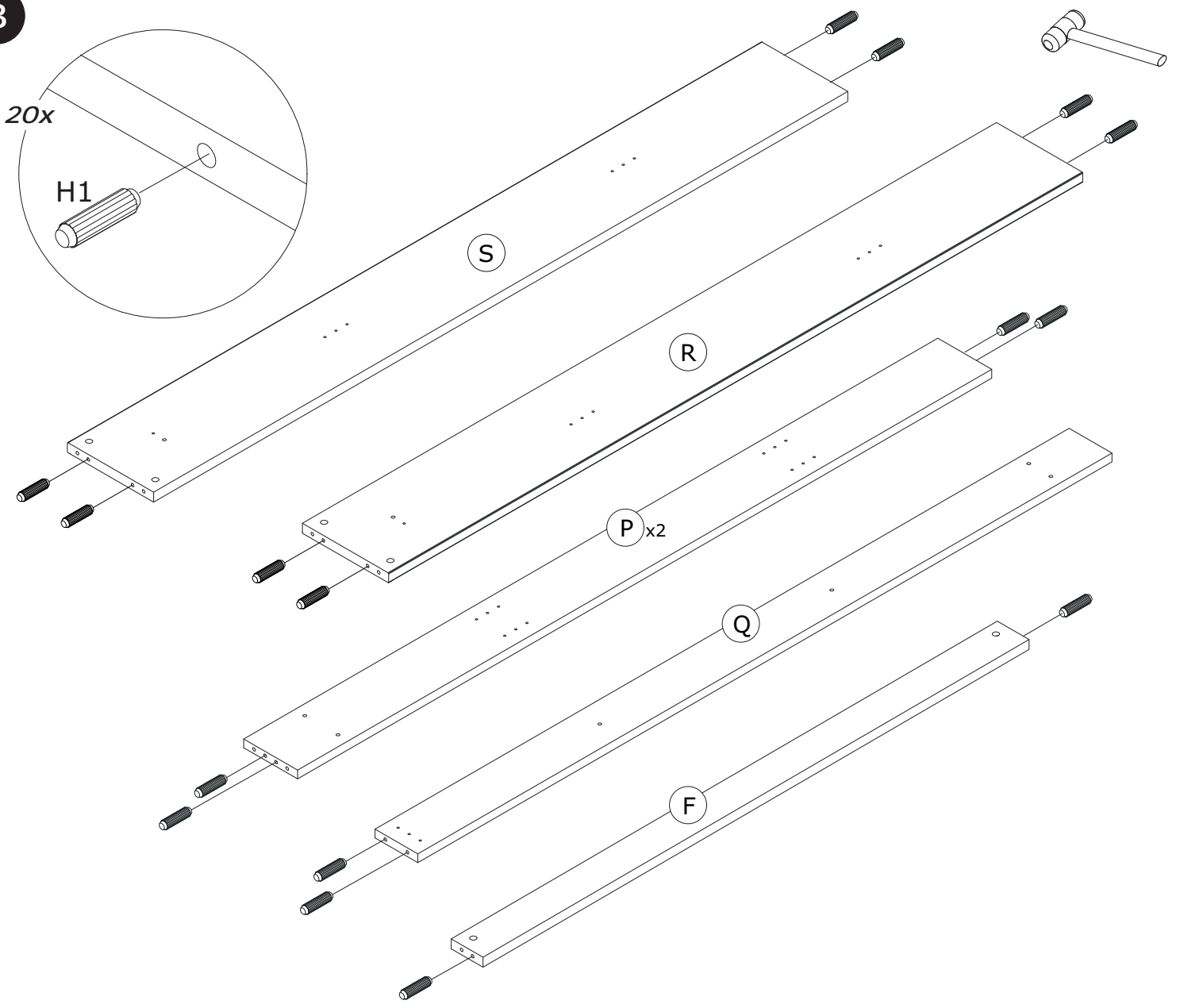
2

12x

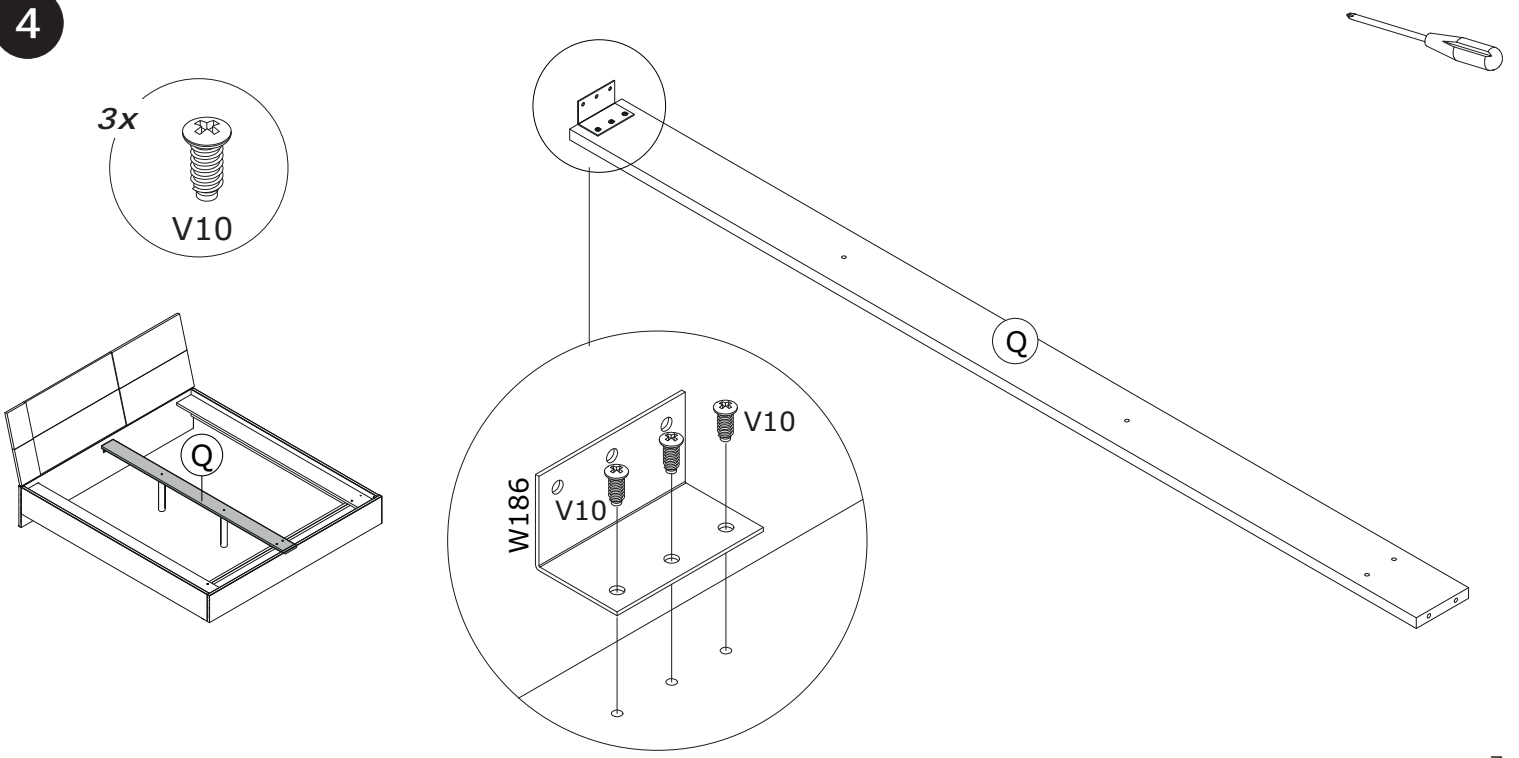
T28



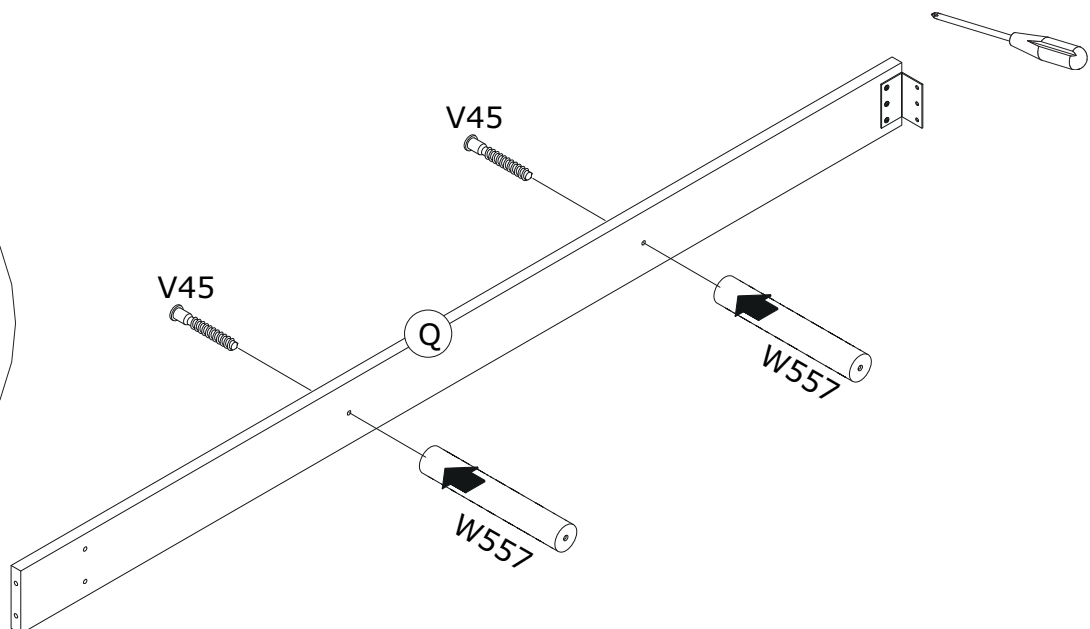
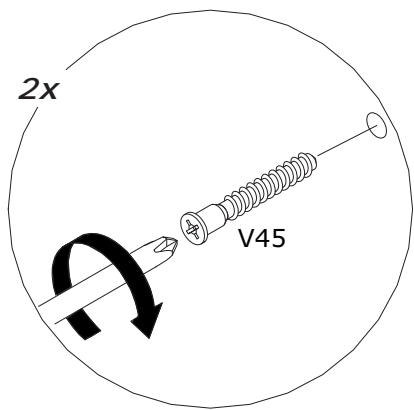
3



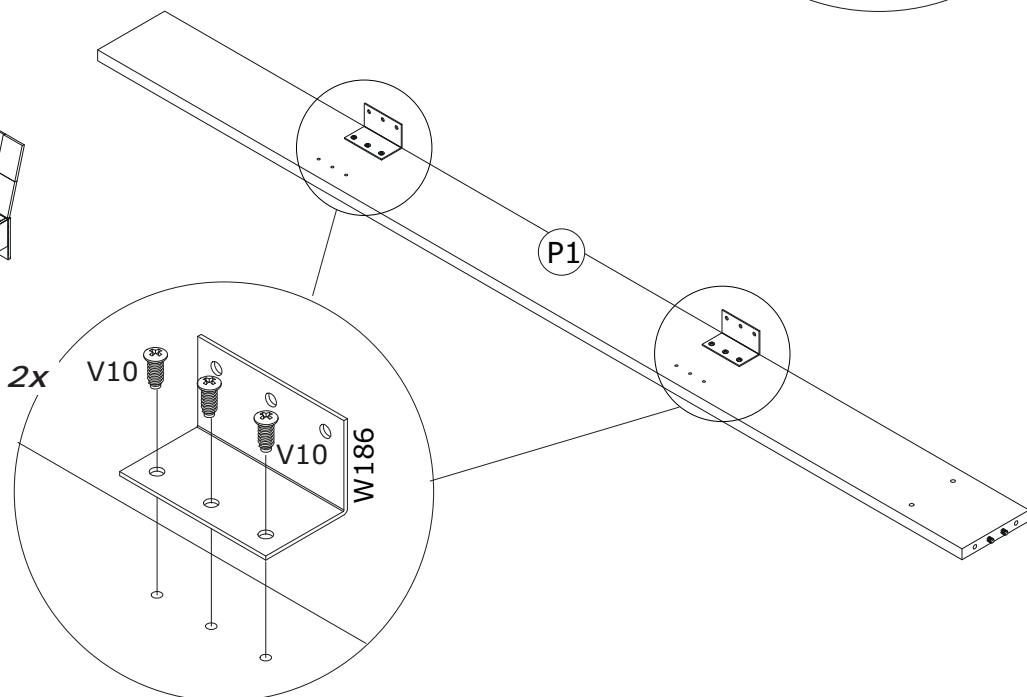
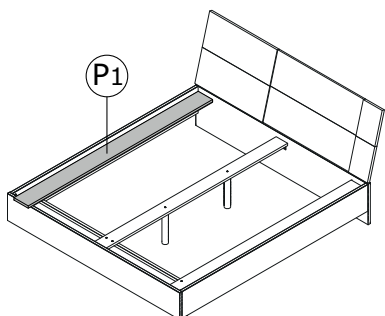
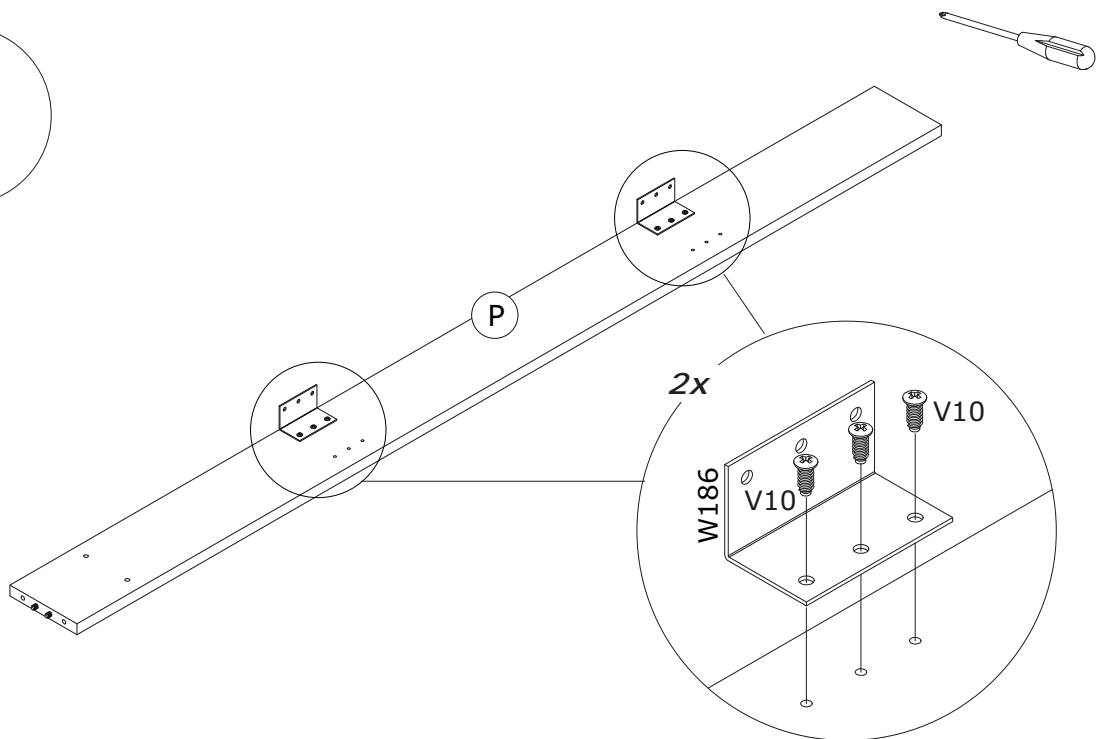
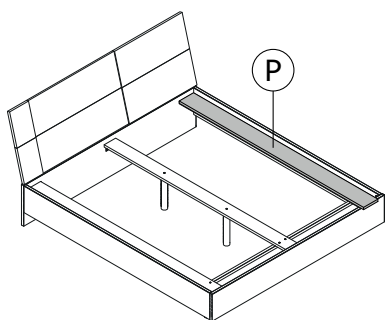
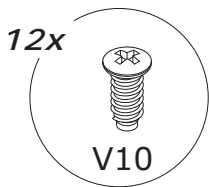
4



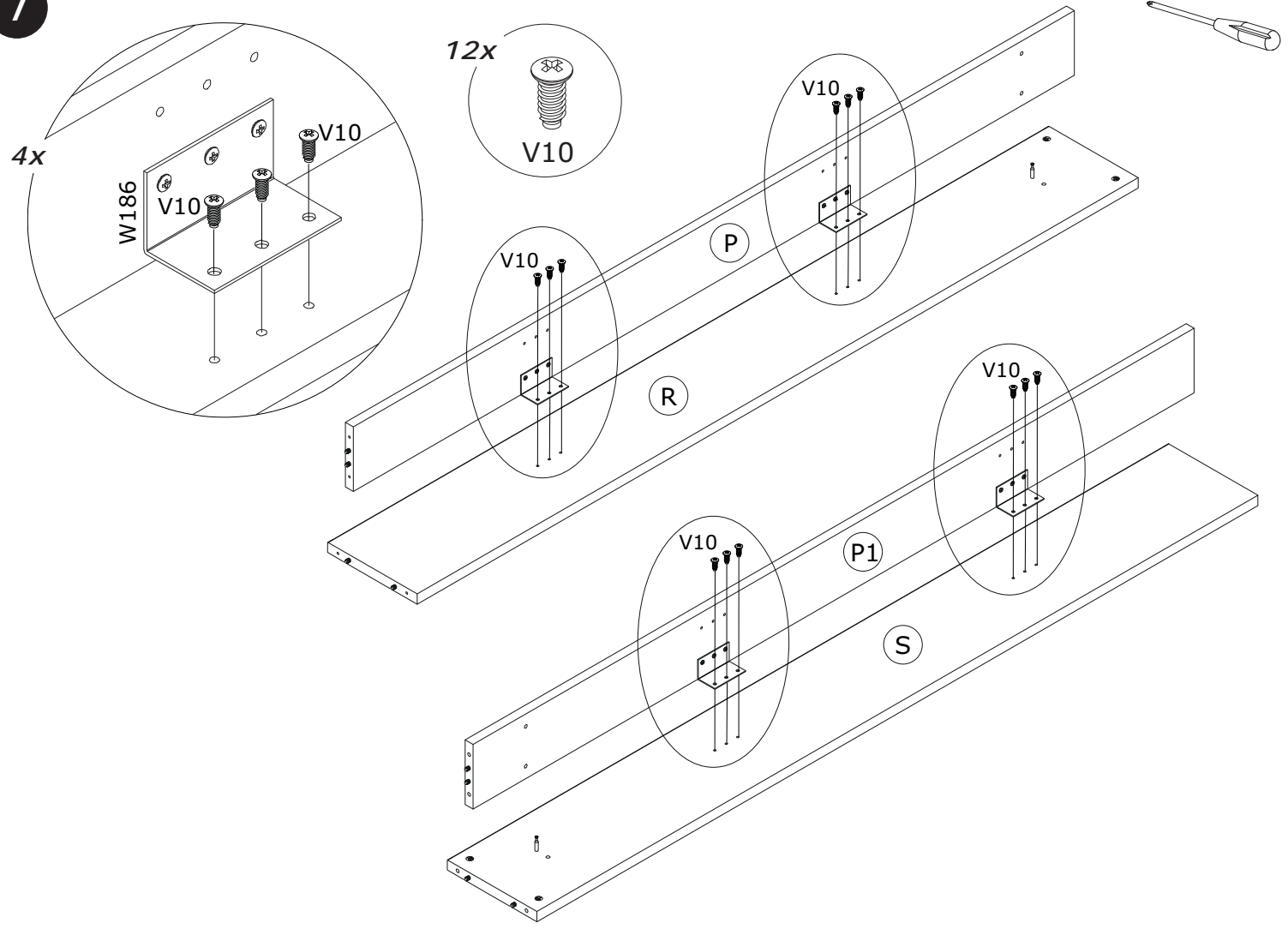
5



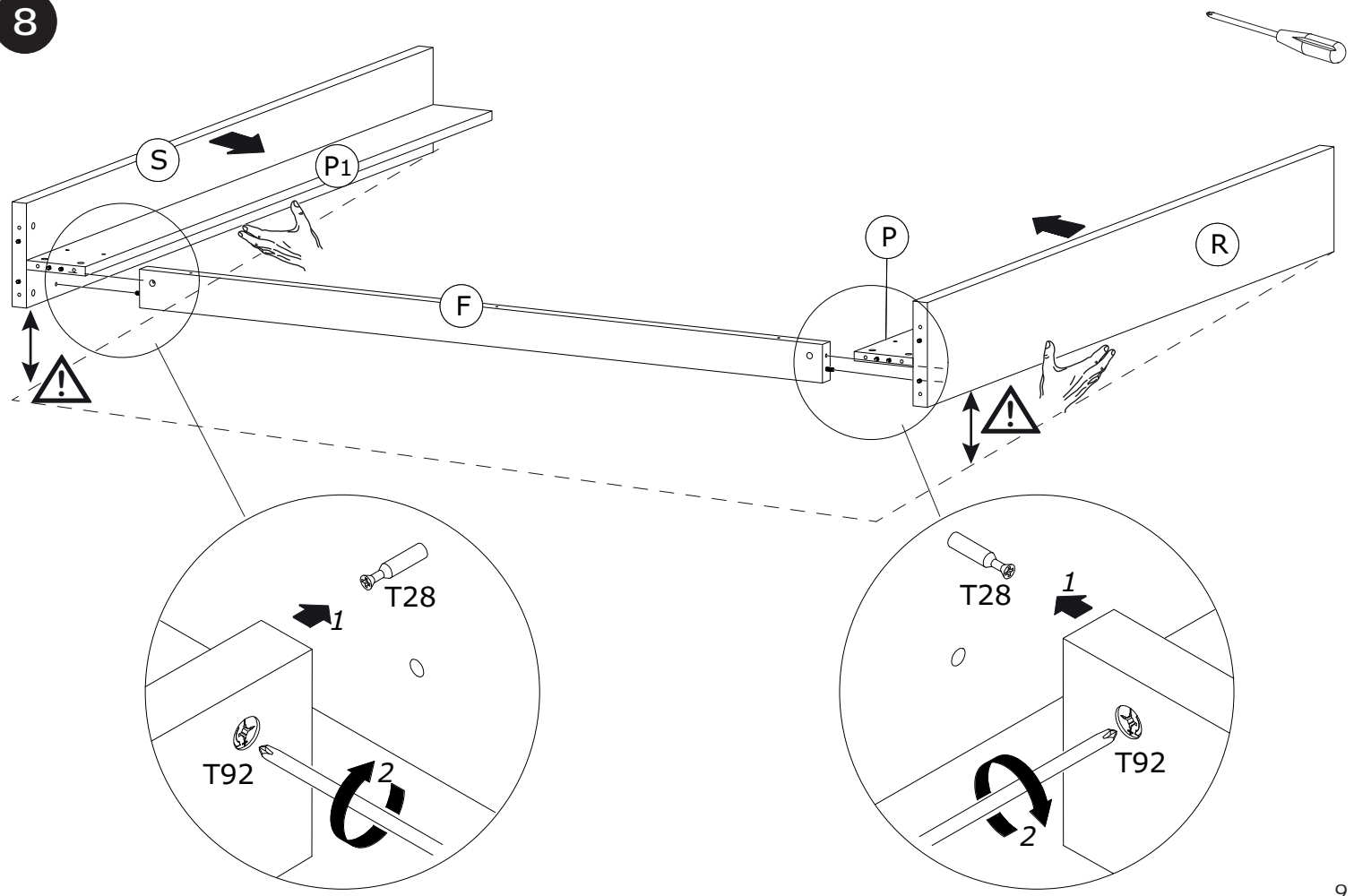
6



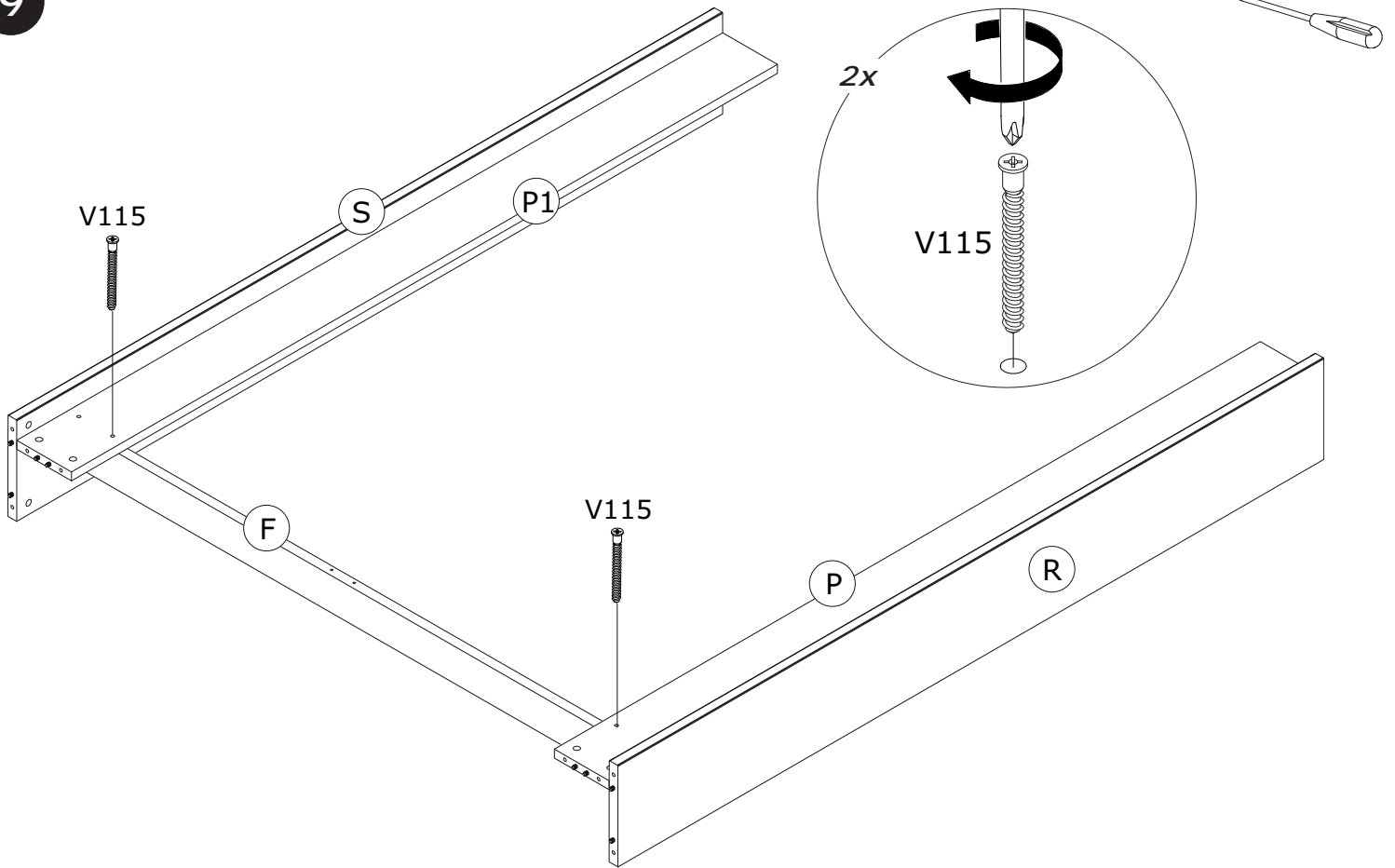
7



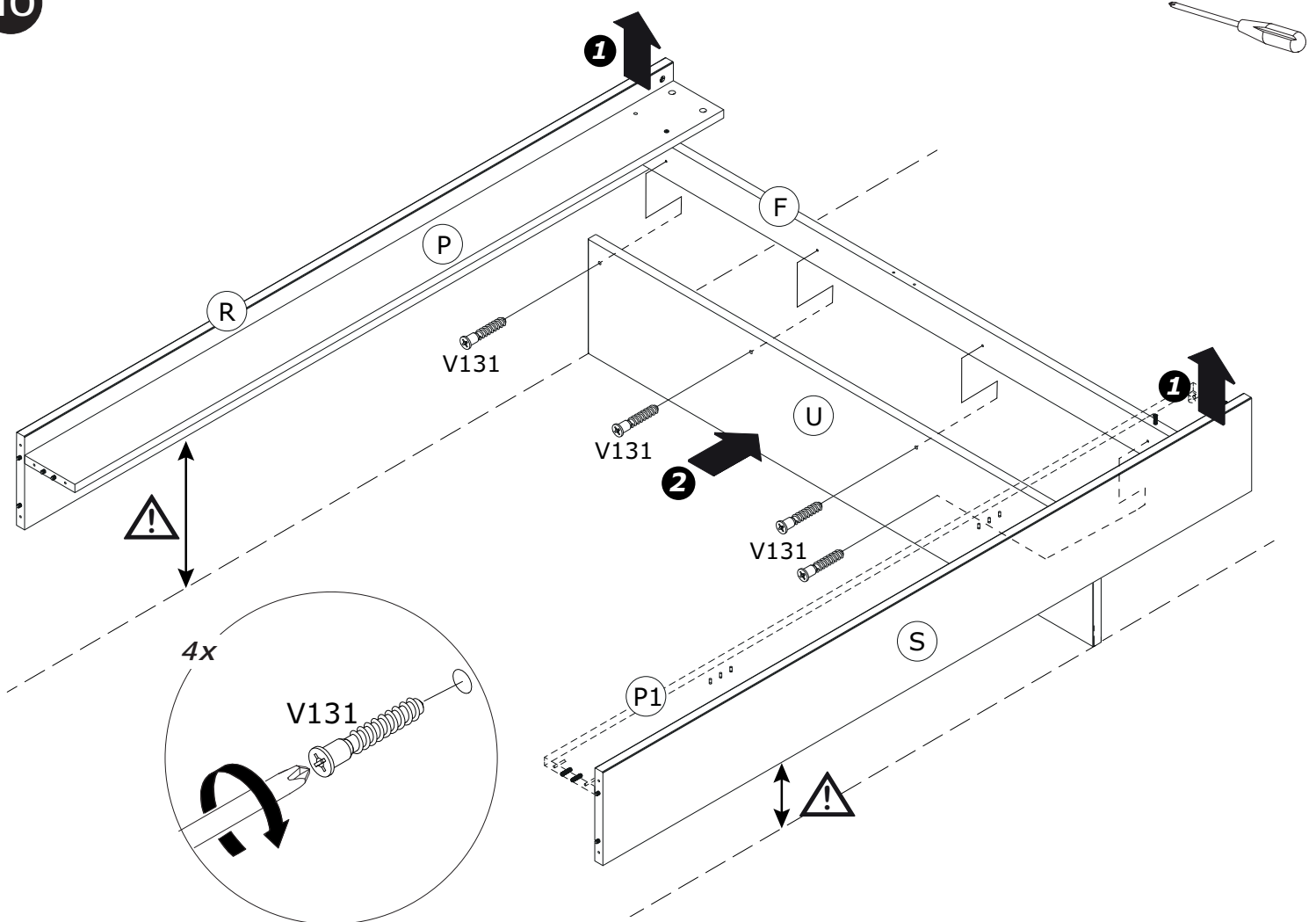
8



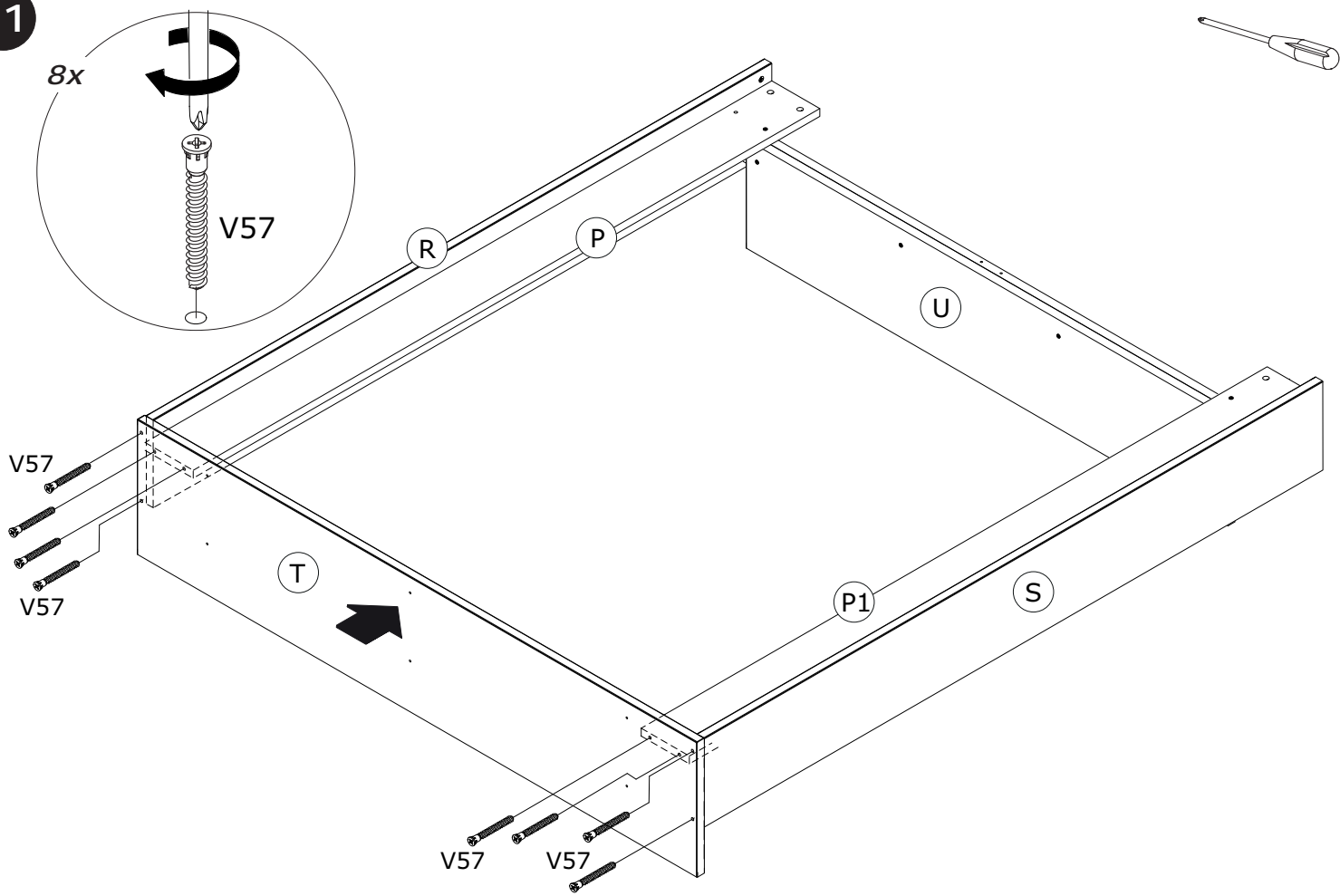
9



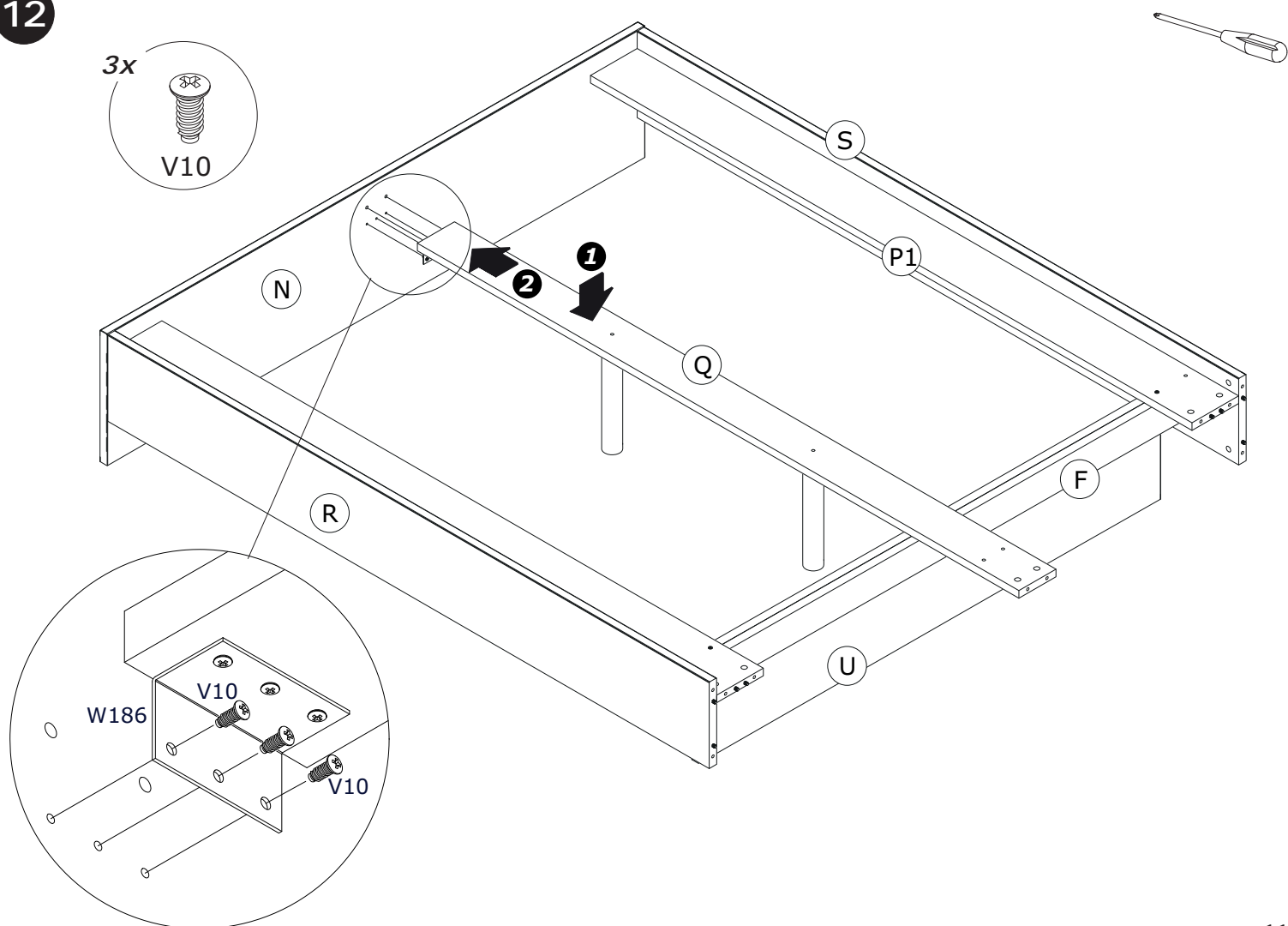
10

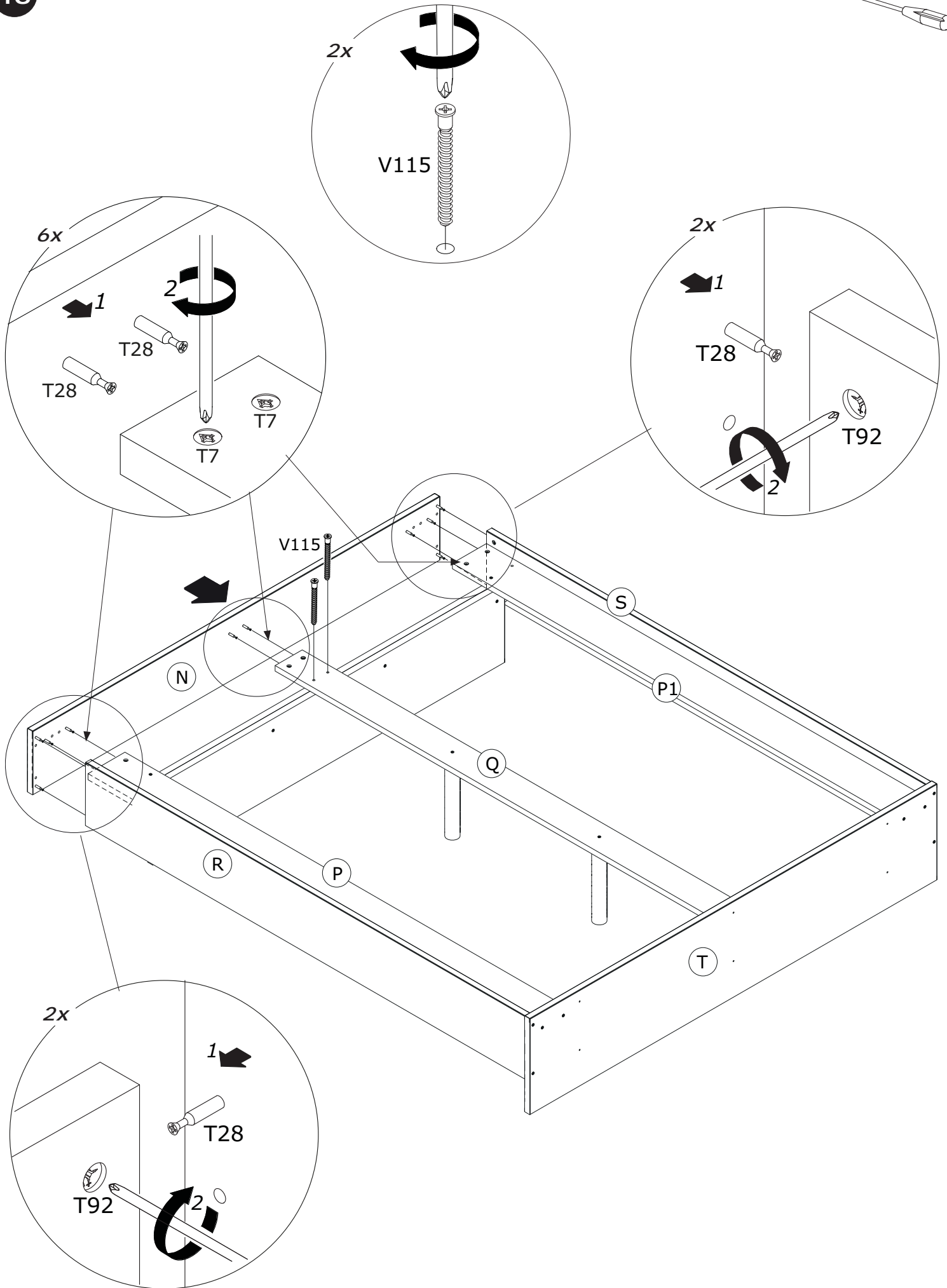
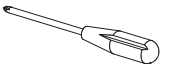


11

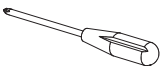
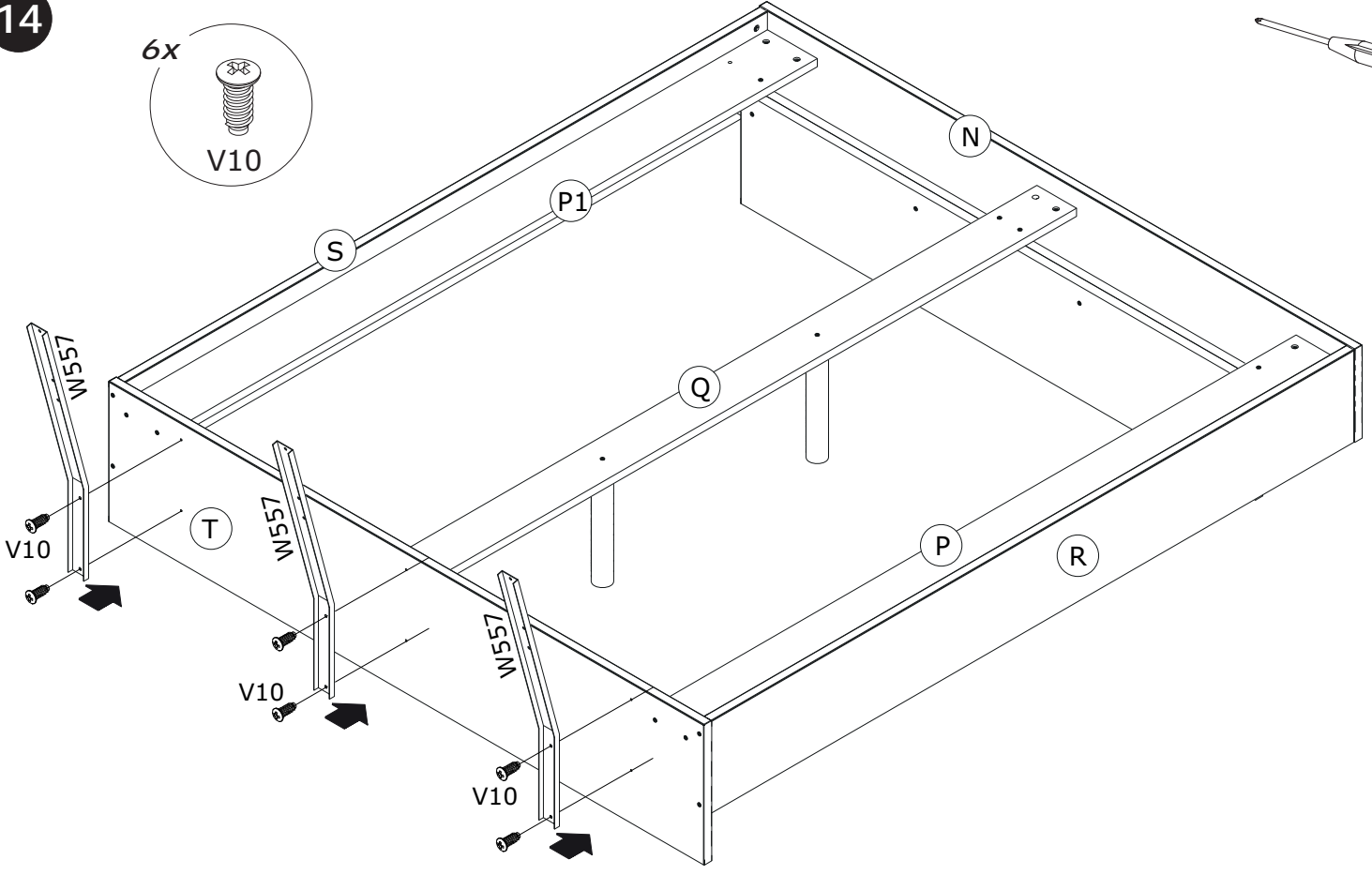


12

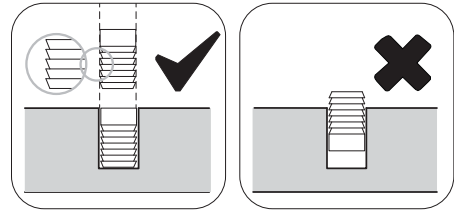
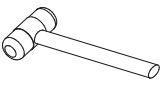
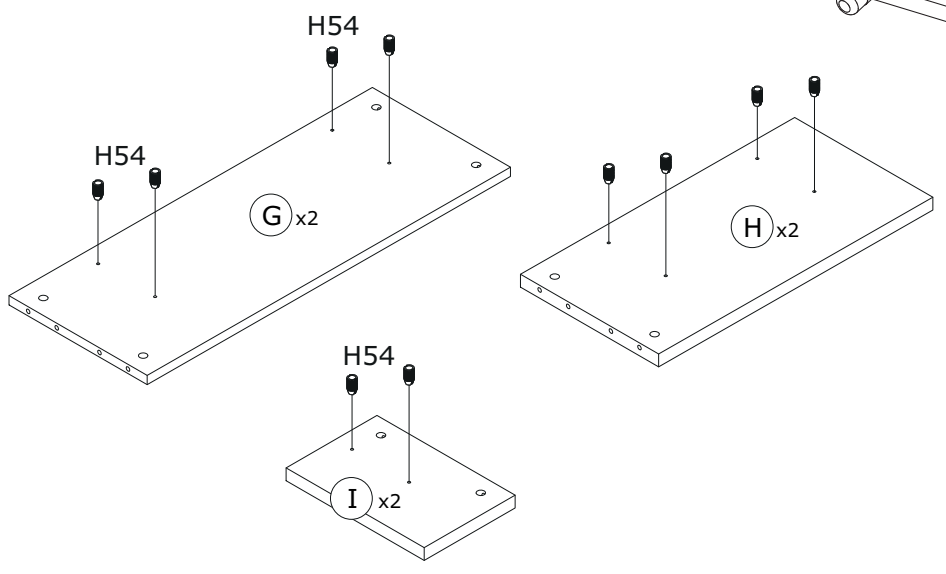
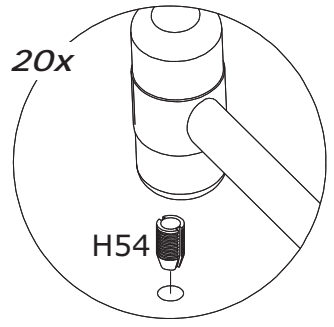




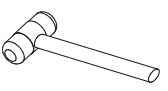
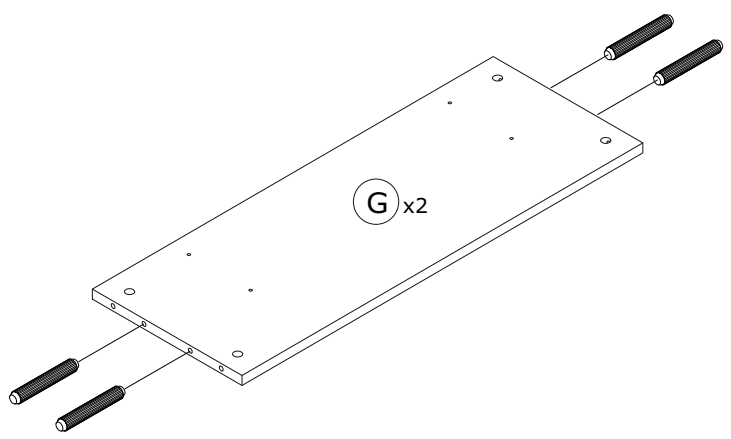
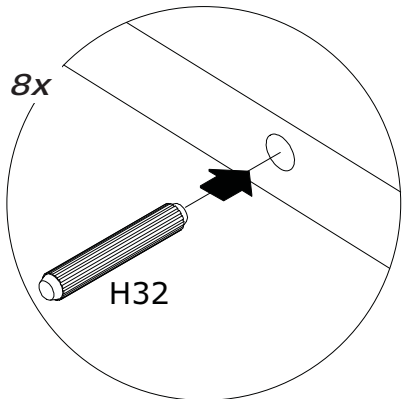
14



15

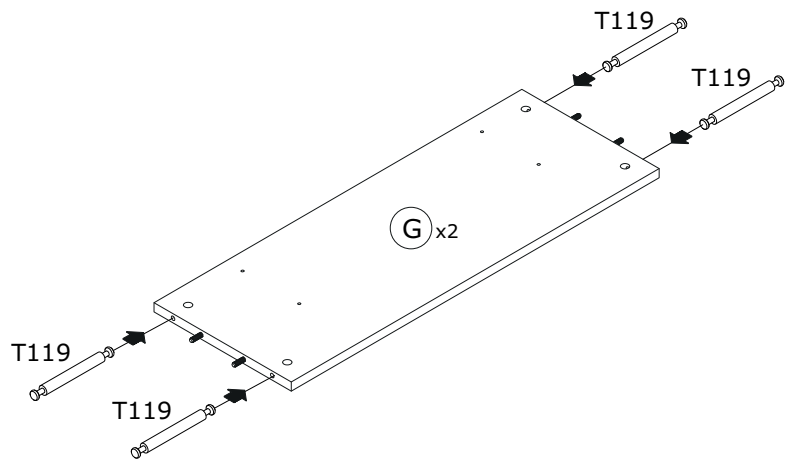
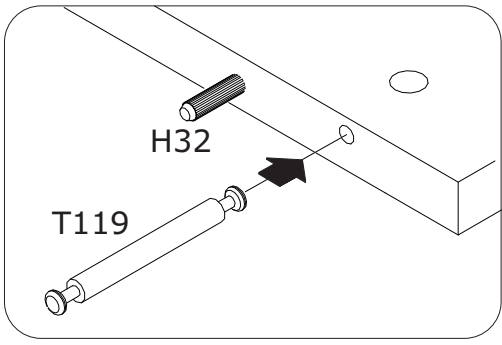


16



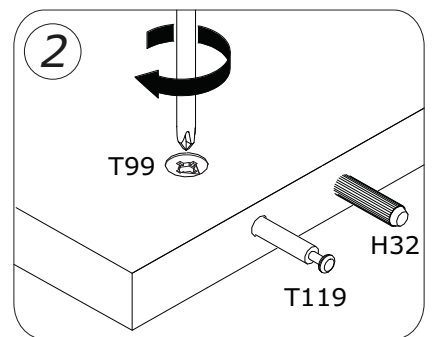
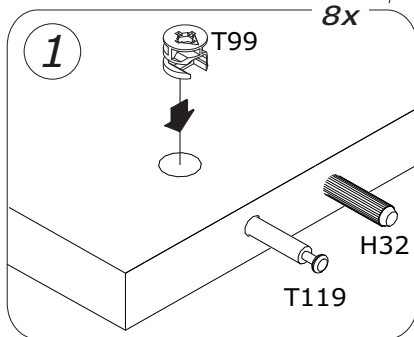
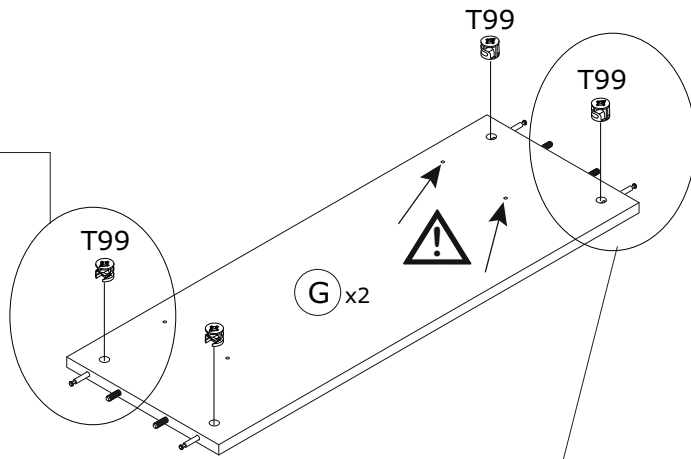
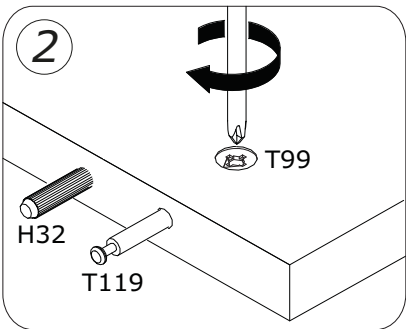
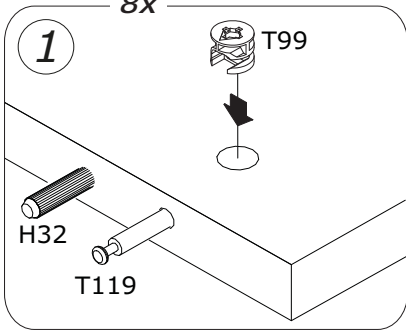
17

8x



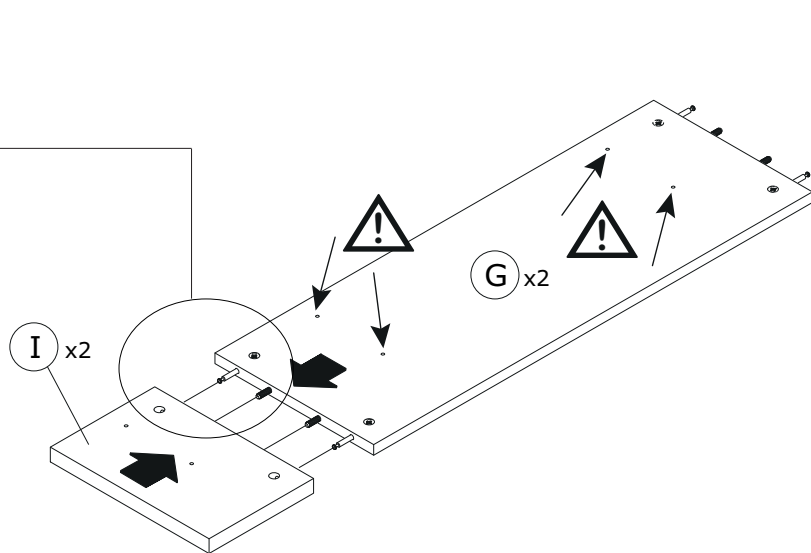
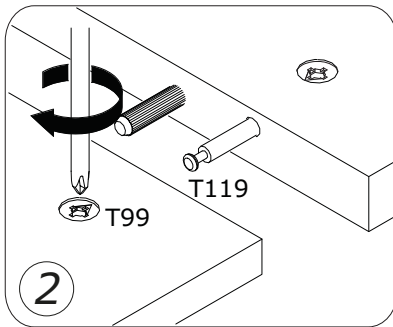
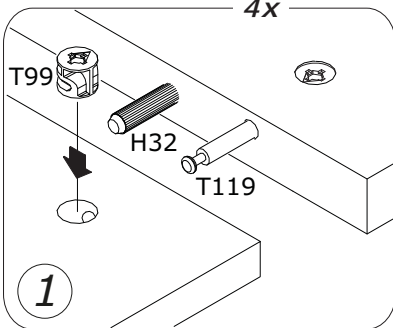
18

8x

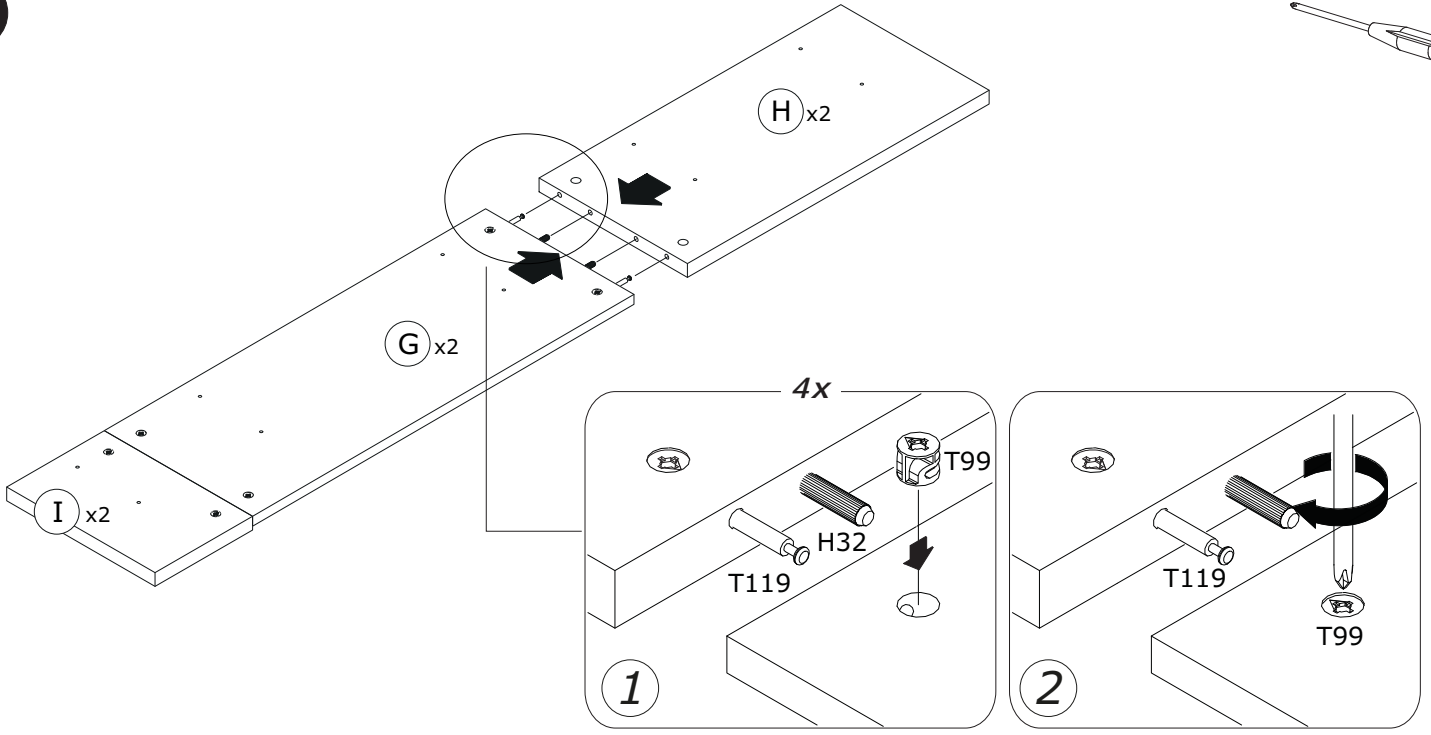
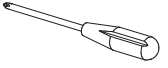


19

4x



20



21

