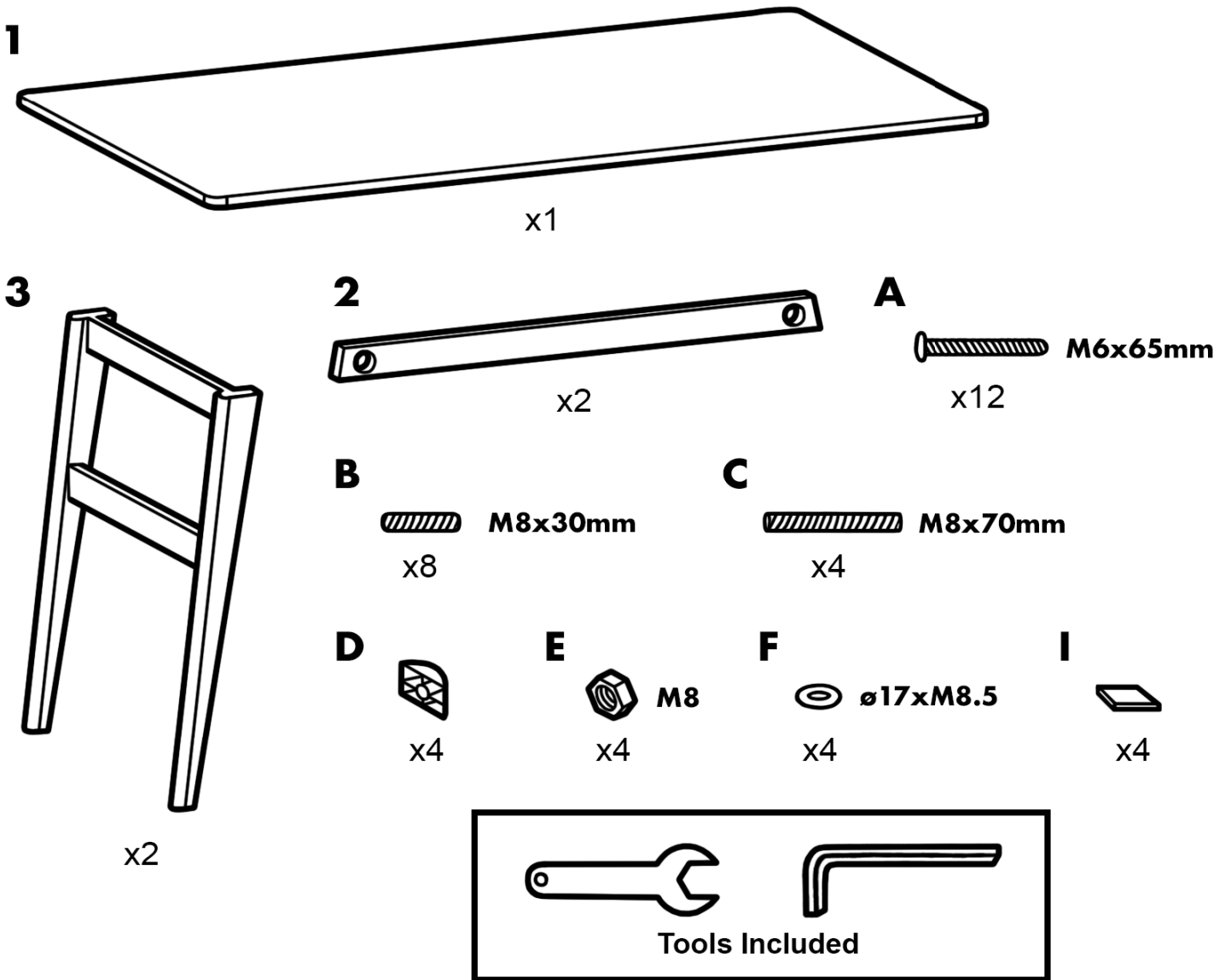


INSTRUCTION MANUAL

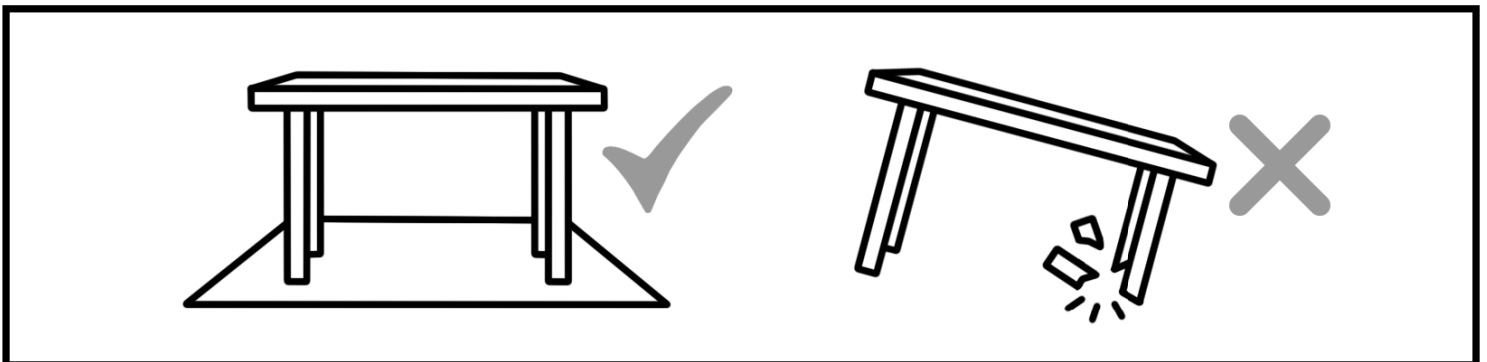


Instructions side 1

2 people recommended for assembly

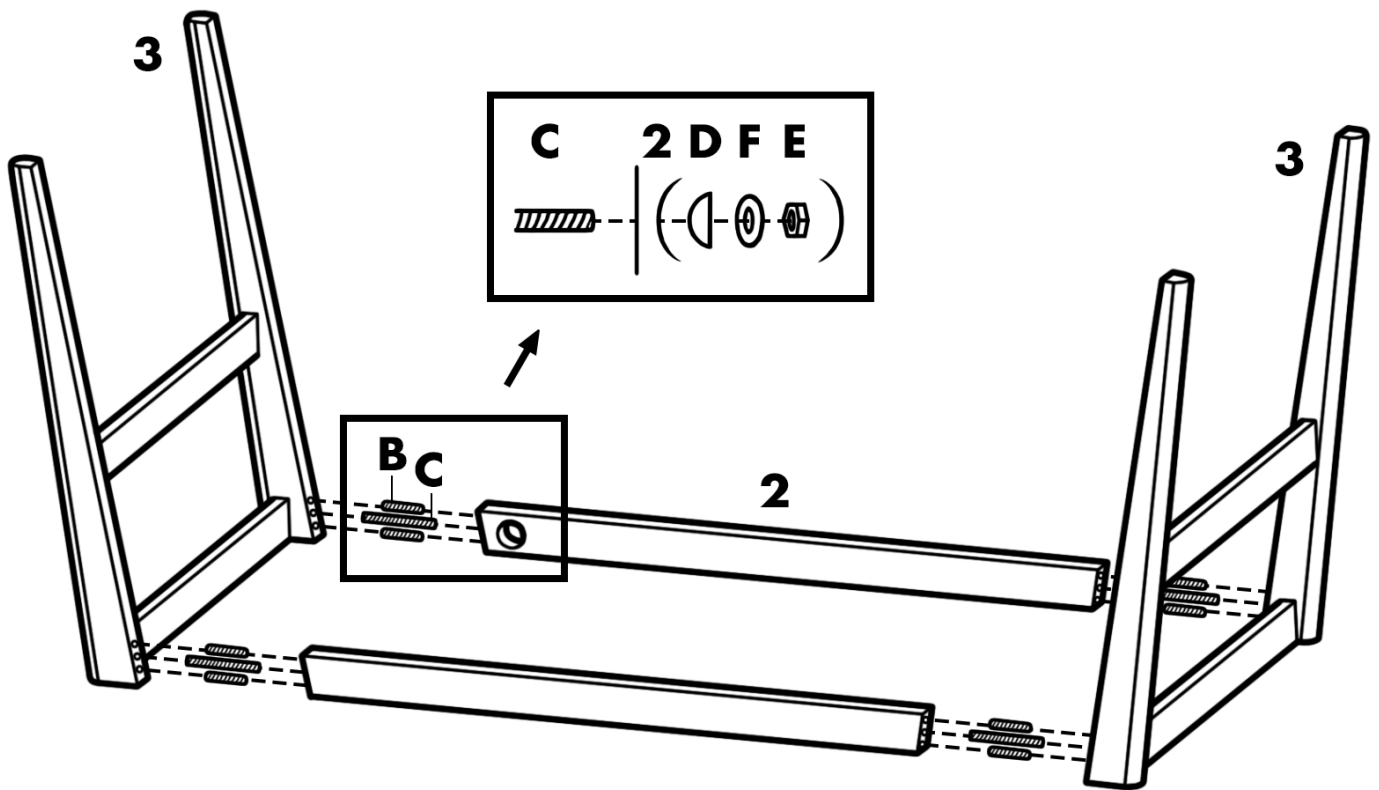


Advice: A mat should be put down to avoid damage to the product or people around



1

Insert rod (C) through centre hole in support (2). Then screw stopper (D), washer (F), and nut (E) on the end. Then insert dowels (B) into other holes in the support. Finally, attach legs (3) onto end of dowels and rods

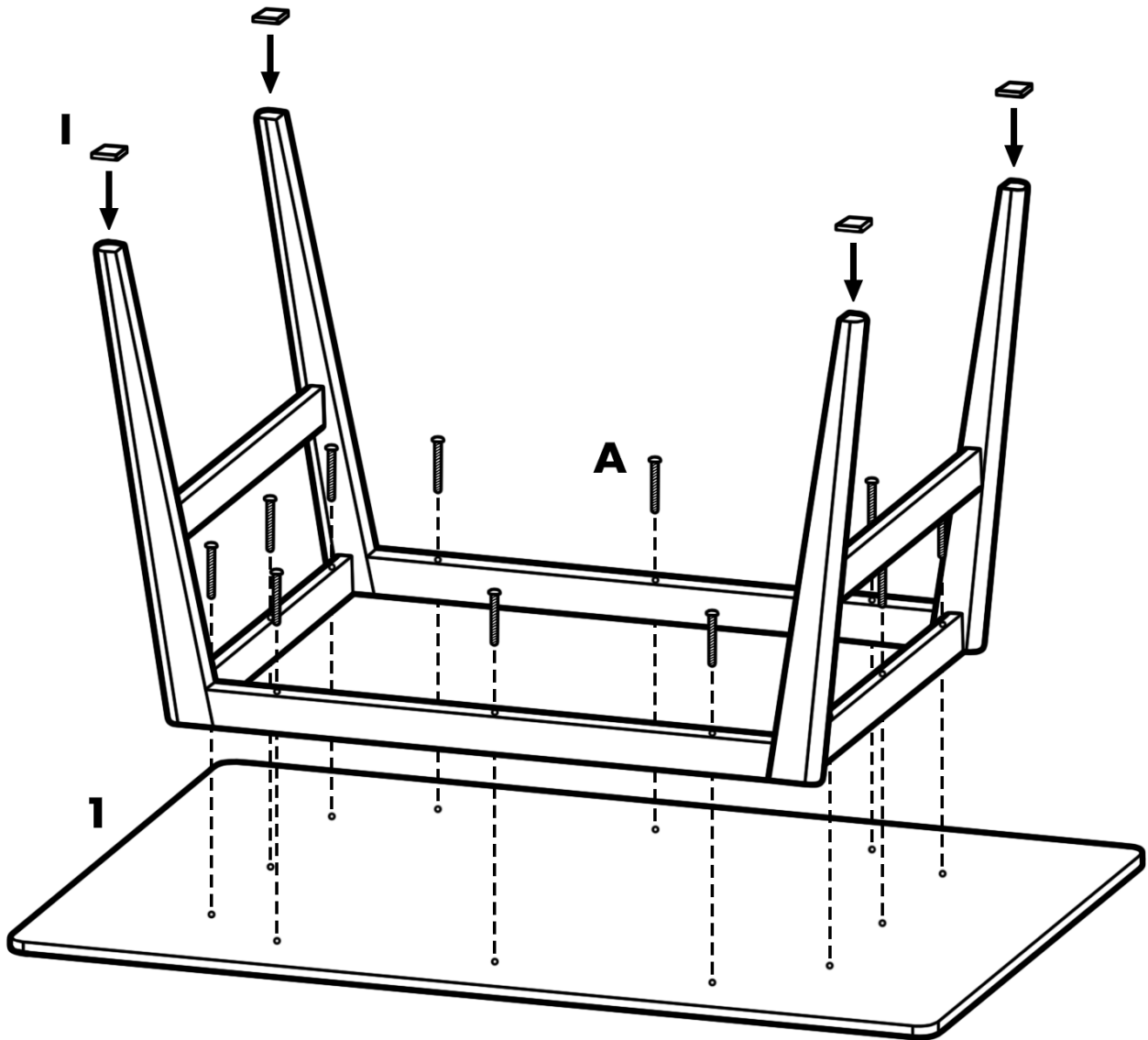


Parts needed in step 1:

Supports (2)	x2	Nuts (E)	x4
Rods (C)	x4	Dowels (B)	x8
Stoppers (D)	x4	Legs (3)	x2
Washers (F)	x4		

Instructions side 2

- 2** Screw assembly onto tabletop (1). Stick feet (I) to bottom of legs (3)



Parts needed for step 2:

Completed step 1	x1	Feet (I)	x4
Tabletop (1)	x1		
Screws (A)	x12		