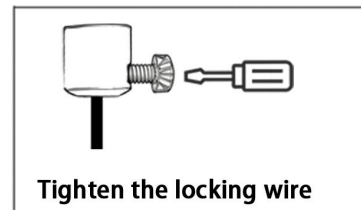
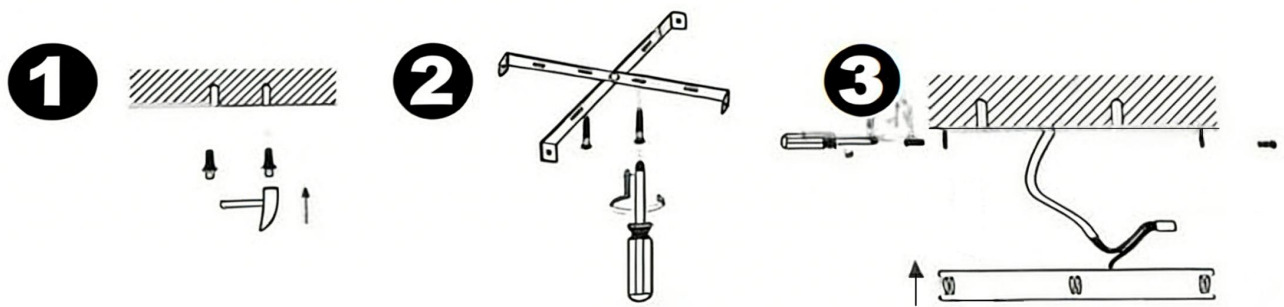


Installation Instructions



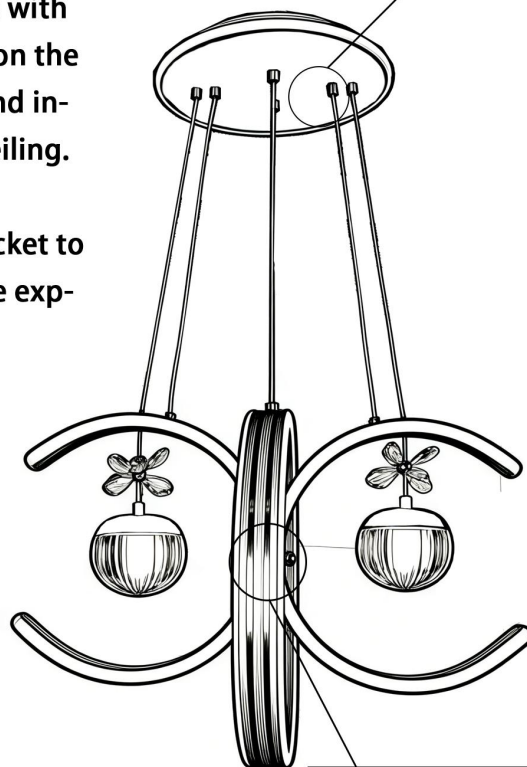
1. Align the mounting plate holes with the designated installation area on the ceiling, drill holes accordingly, and insert expansion screws into the ceiling.

2. Secure the mounting plate bracket to the ceiling by screwing it into the expansion screws.

3. Connect the indoor wiring to the pendant light wiring.

4. Install the ceiling cover plate by aligning its four-side holes with the mounting plate holes, then tighten the screws to complete the installation.

5. Adjust the length of the hanging wire to finish the installation.



1. THIS PRODUCT IS SUITABLE FOR THE POWER OF 110V.

2. PLEASE WEAR GLOVES AS INSTALLMENT AND AVOID ROT ON THE PLATE SURFACE.

3. PLEASE TURN OFF THE POWER SOURCE BY THE TIME OF CLEANING, AND MUST USE SOFT CLOTH.

4. PROHIBITED TO USE CORROSIVE DETERGENT.

5. MUST INSTALL IN THE STABLE PLACE AND DO USUALLY PERIODICAL CHECKING.

