

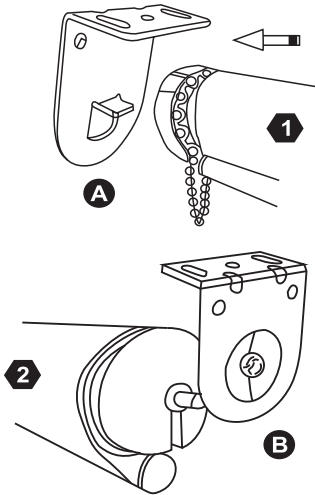
STEP 4

EASY INSTALLATION

Hold the shade up and insert the controller into bracket (A) make sure the lugs fit into slot in the bracket.

On the opposite, push the spring-loaded pin into the hole of brackets (B).

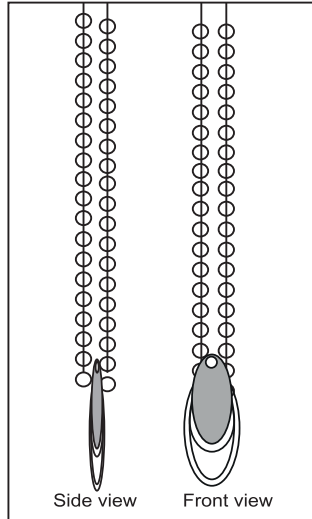
Please check and make sure the shade is not too tight and the controller works well.



STEP 5

SAFETY DEVICE FOR THE CHILD

Place and install the ball chain safety device in convenient place that keep the ball chain fully extended at all times. Once it is secured, ball chain should be not able to be removed from safety device by the child.



WARNING

Young children can strangle in cord and bead chain loops.

They can also wrap cords around their necks and strangle.



Always keep cords and bead chains out of children reach.

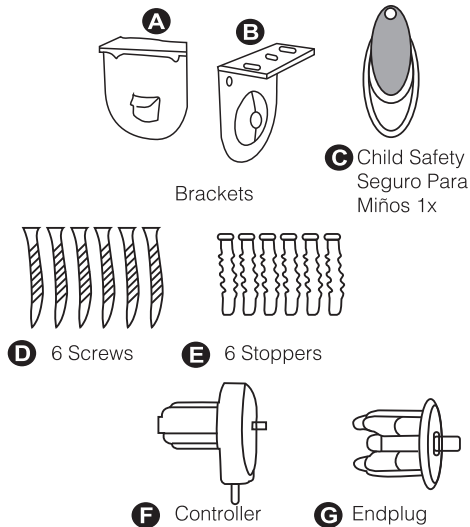
Move cribs, playpens and other furniture away from cords and bead chains as children can get to furniture to get cords.

Attach a cord tension device or cord guide to the wall. This can prevent children from pulling cords and bead chains around their necks.

INSTALLATION INSTRUCTIONS

Before installing your blind, make sure all parts listed below are present. If any part is missing or damaged, do not assemble, install, or operate. To request replacement parts, contact customer service at info@chrisdowahome.com for missing or damaged parts.

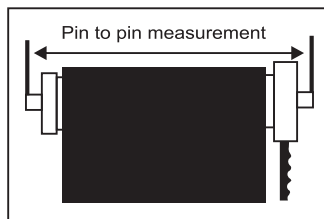
Hardware



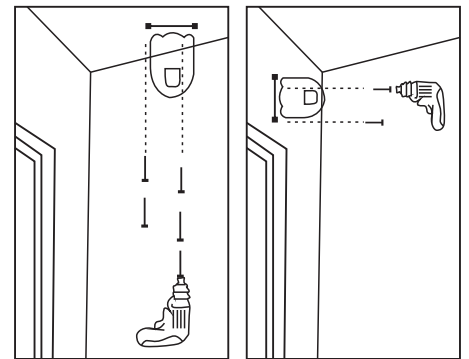
STEP 1

Check the room face of the blind. Decide which side you want the chain on the blind. Attach the controller and end plug to the end of your choice. Then, attach the brackets to the blind and measure from end to the brackets. This is your pin to pin measurement.

Note: Bracket (A) corresponds to the controller (F) and bracket (B) corresponds to the plug (G).



STEP 2



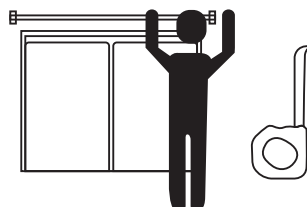
Ceiling mount

Wall Mount

The brackets can be placed to the wall or ceiling.

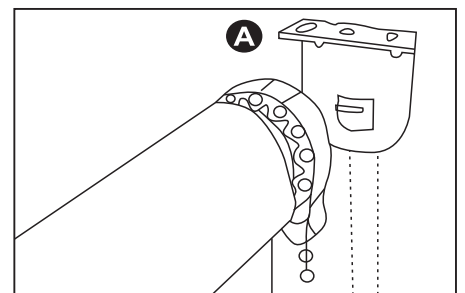
STEP 2

According to the pin to pin measurement, determine the desired location for brackets. (Note: the brackets can be placed to the wall or ceiling.)



STEP 3

Install the brackets. **Do not over tighten screws.**



Installation Videos
Youtube : Shadesu