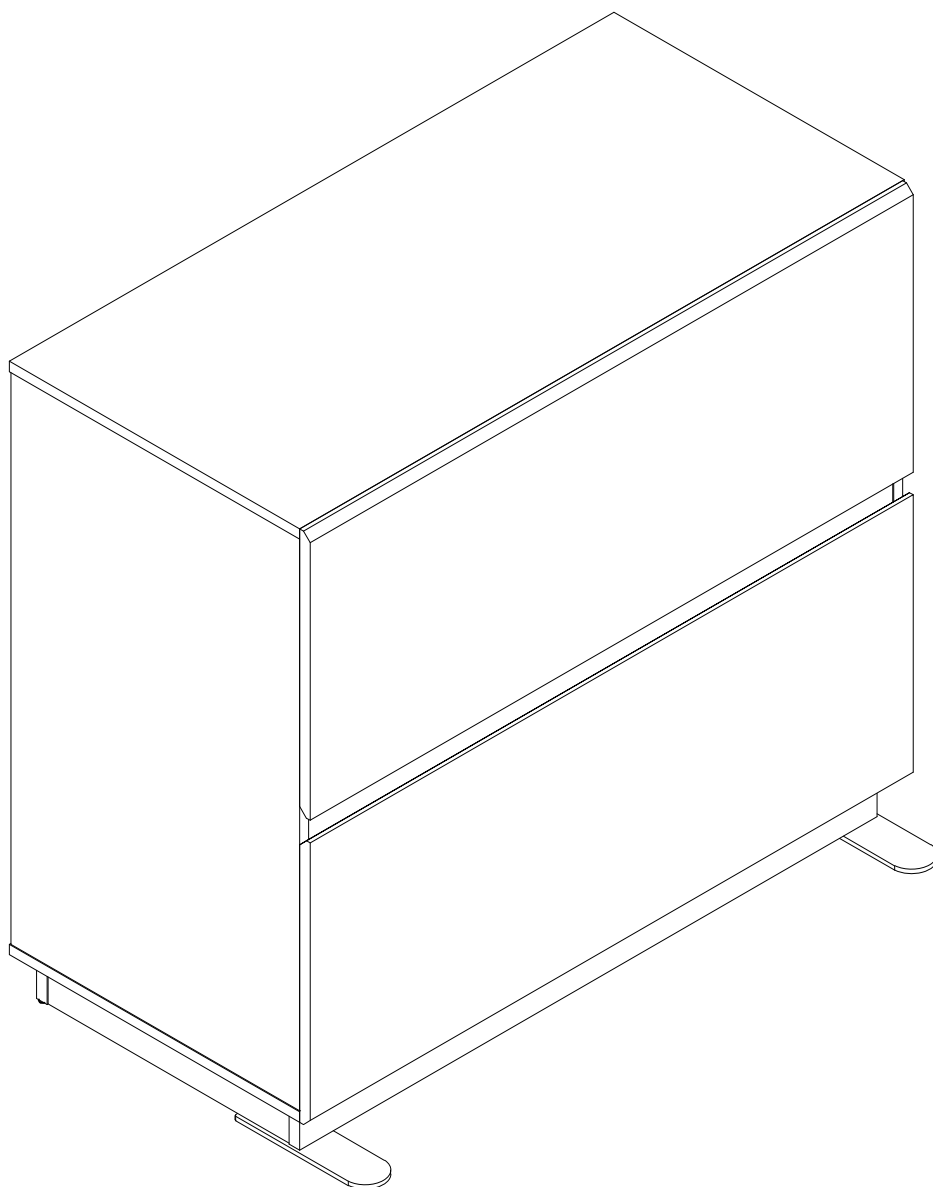
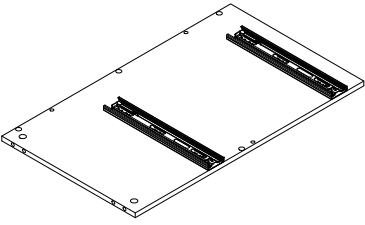
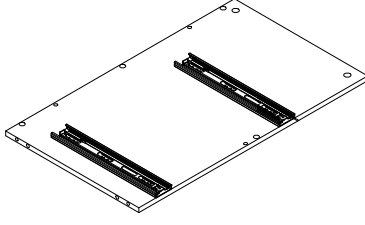
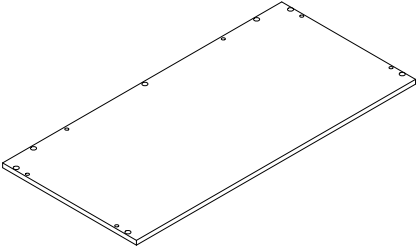
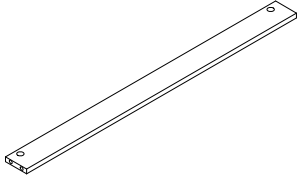
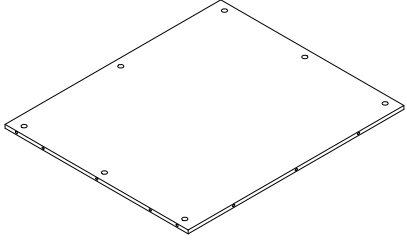
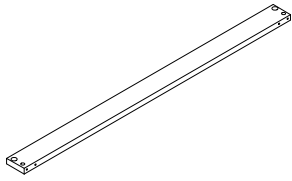
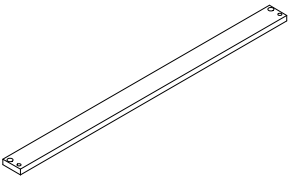
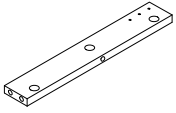
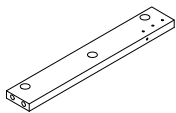
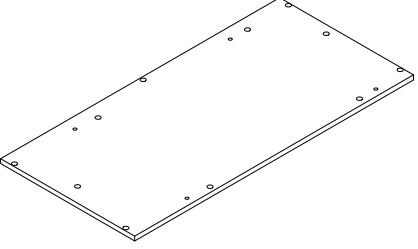
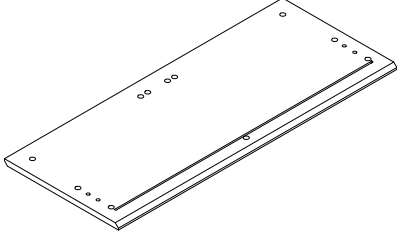
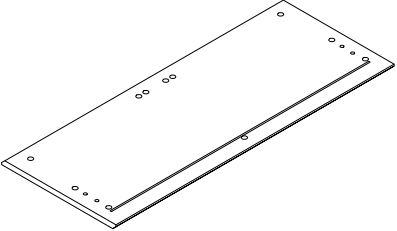
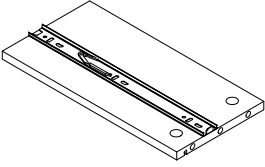
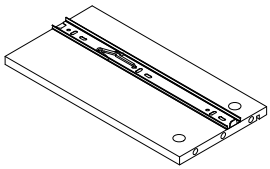
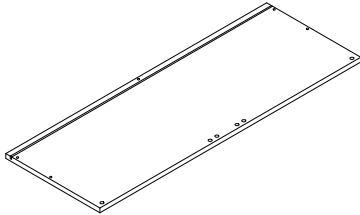
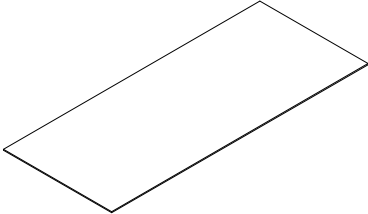
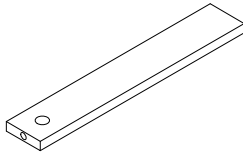
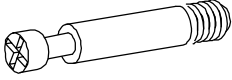
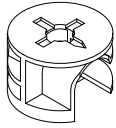

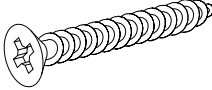
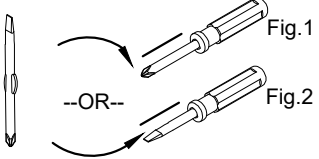
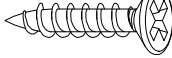
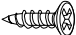
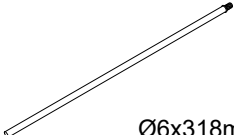


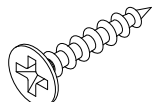
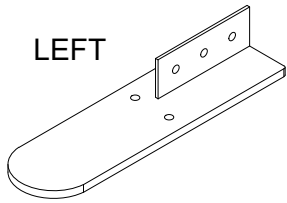
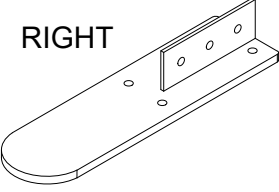
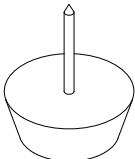




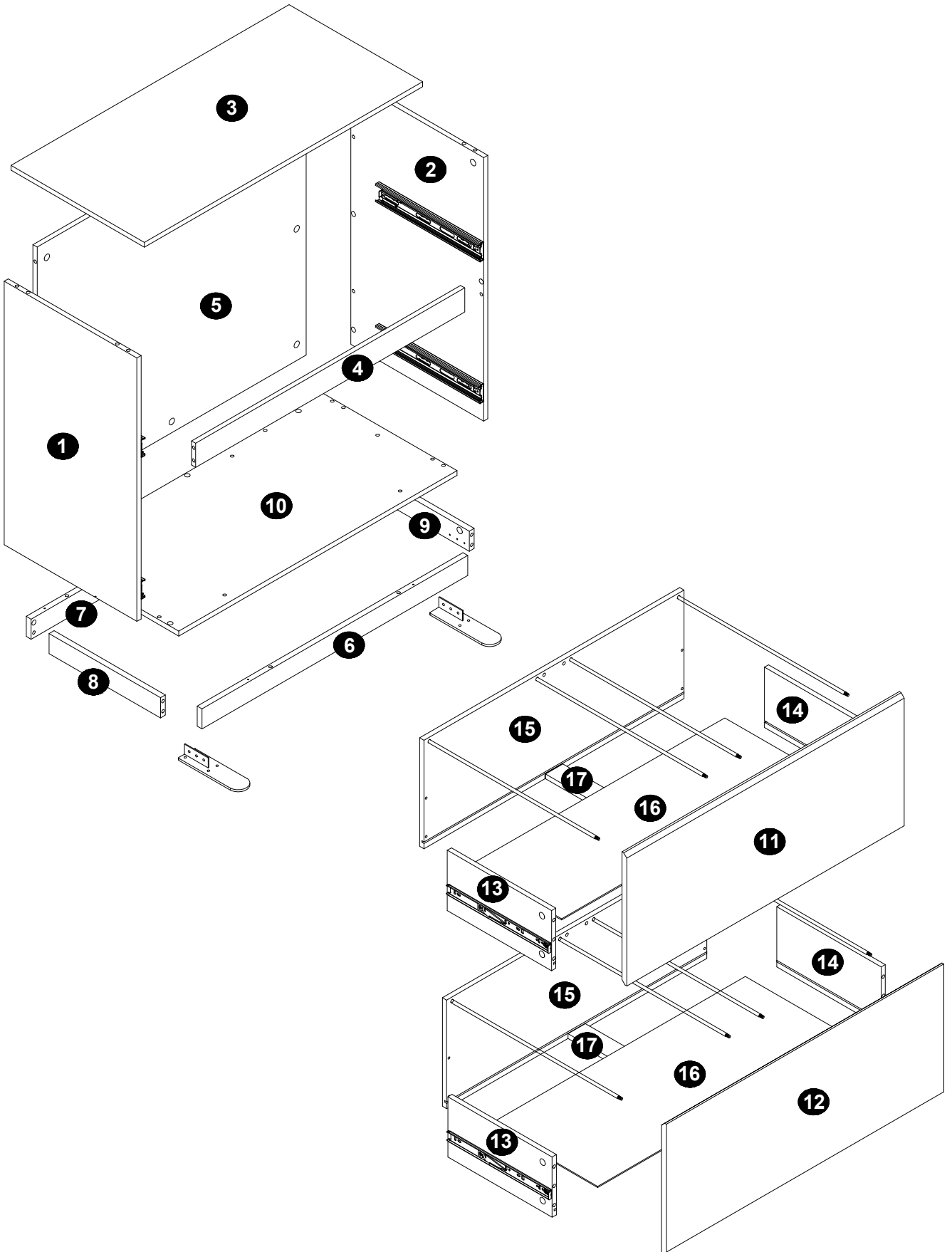
Assembly Instruction



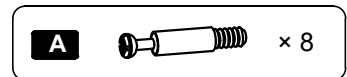
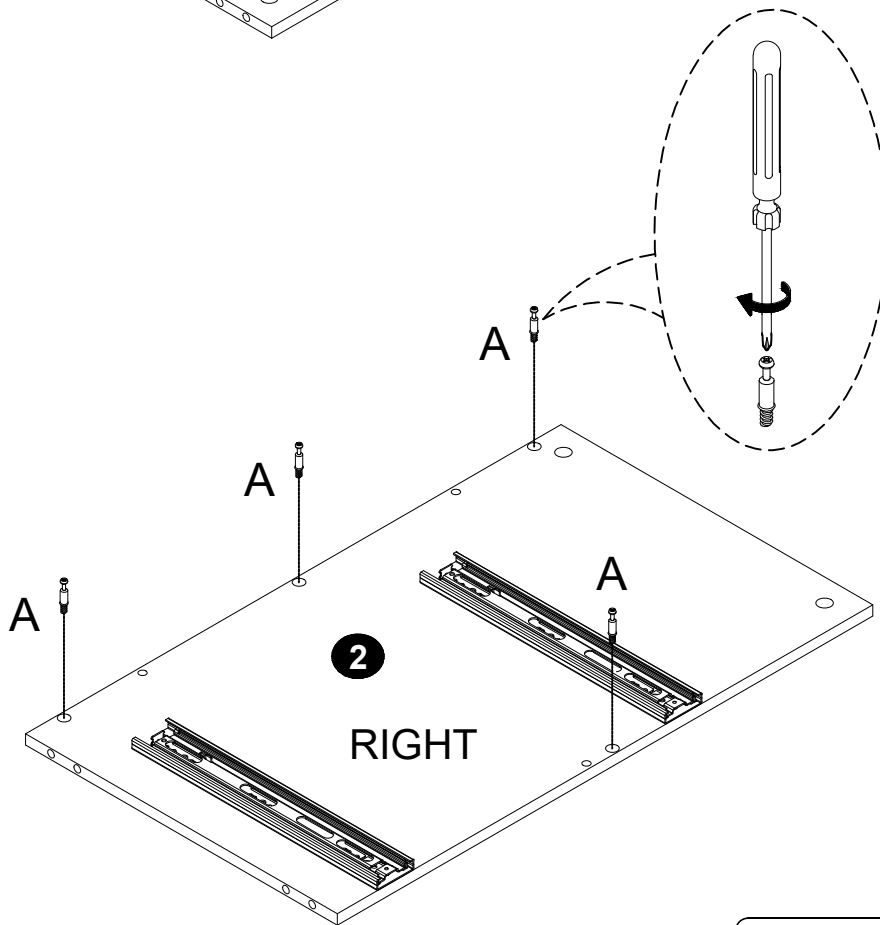
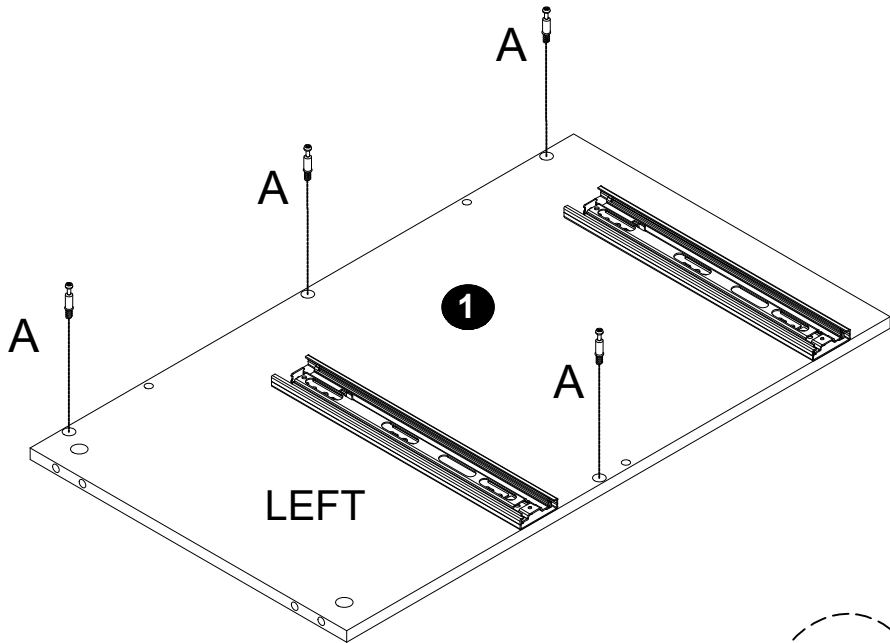
1  X1	2  X1	
3  X1	4  X1	
5  X1	6  X1	
7  X1	8  X1	9  X1
10  X1	11  X1	
12  X1	13  X2	

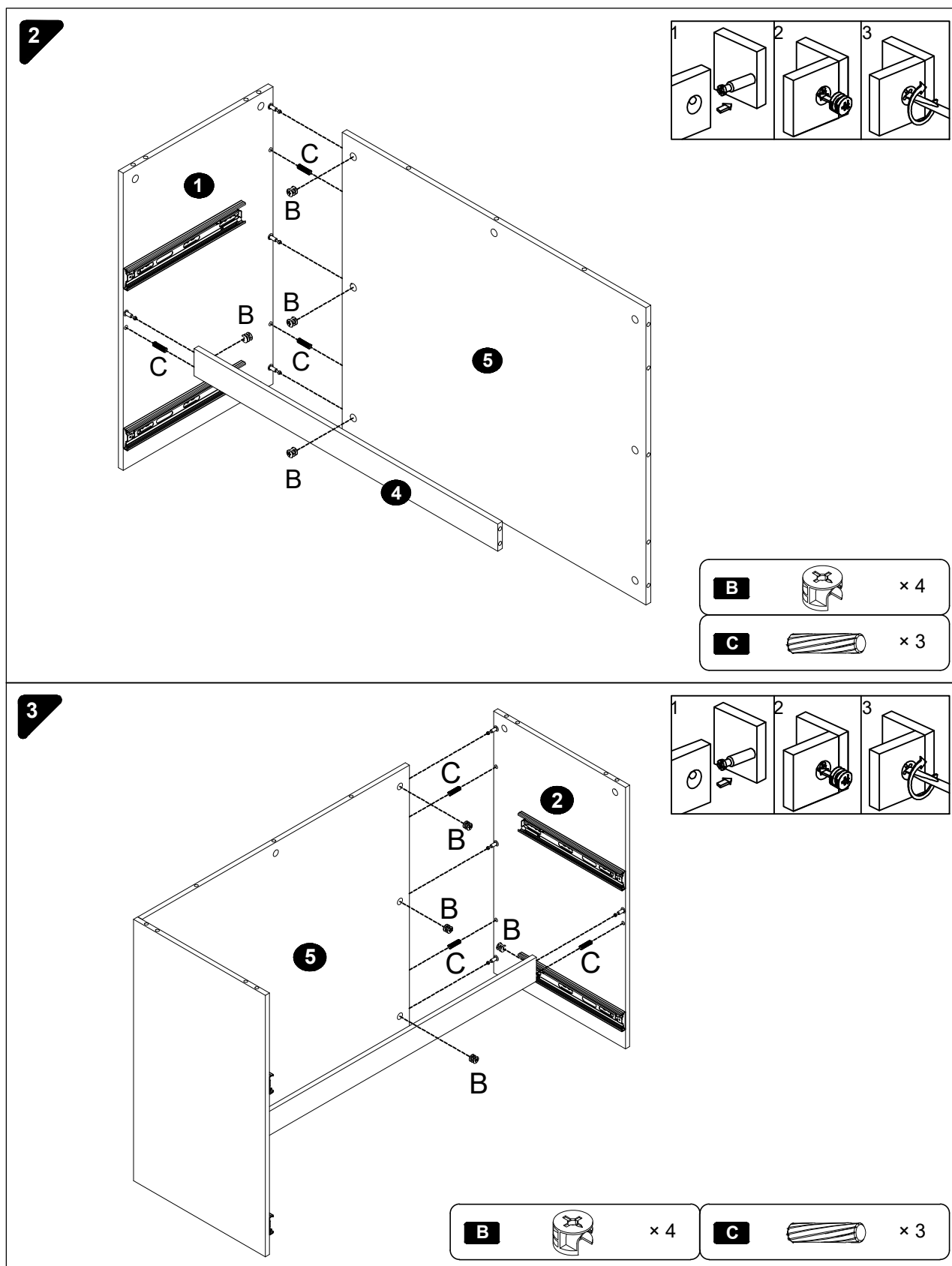
<p>14</p>  <p>X2</p>	<p>15</p>  <p>X2</p>
<p>16</p>  <p>X2</p>	<p>17</p>  <p>X2</p>

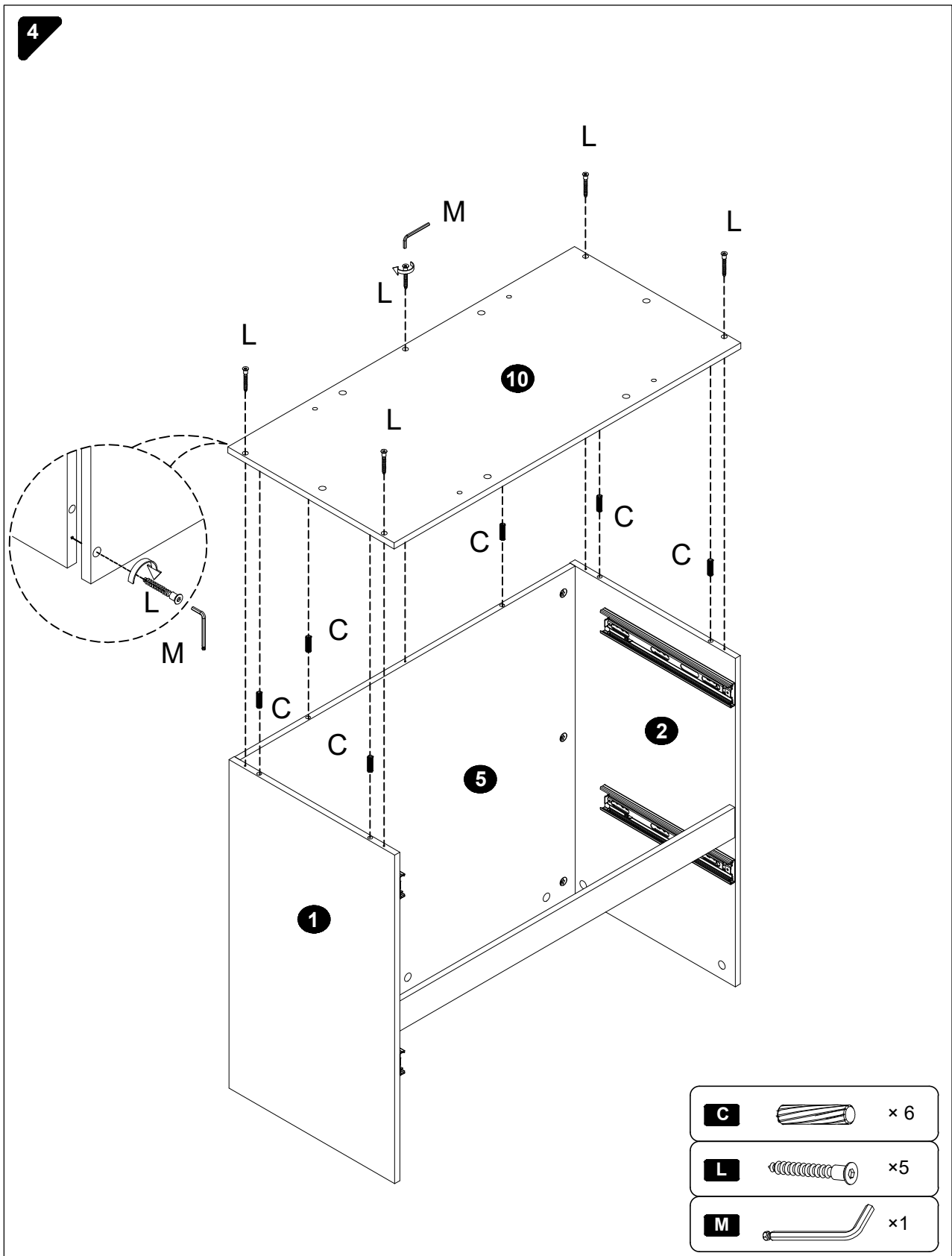
A  <p>X33+2</p> <p>Ø6.5x36mm</p>	B  <p>X33+2</p> <p>Ø15x9.8mm</p>	
C  <p>X34+2</p> <p>Ø8x30mm</p>	D  <p>X10</p> <p>Ø8xM4x40mm</p>	
E  <p>Fig.1</p> <p>--OR--</p> <p>Fig.2</p> <p>X1</p>	F  <p>X6</p> <p>M4*25mm</p>	
G  <p>X6</p> <p>M4*14mm</p>	H  <p>X8</p> <p>Ø6x318mm</p>	
I  <p>I3 x1</p> <p>Ø6x35mm</p> <p>I4 x1</p> <p>Ø13x40mm</p> <p>I5 x1</p> <p>Ø8xM4x35mm</p>		
 <p>I1x1</p> <p>155*20mm</p>	<p>I2x1</p> <p>Ø8xM4x16mm</p> 	
J <p>X1</p> <p>LEFT</p>  <p>173*48*30mm</p>	<p>X1</p> <p>RIGHT</p>  <p>173*48*30mm</p>	K <p>X2</p>  <p>Ø12x5mm</p>
L  <p>X5</p> <p>#9.5*M5*46mm</p>	M  <p>X1</p> <p>Φ4*57mm</p>	



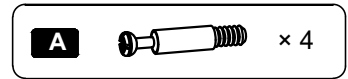
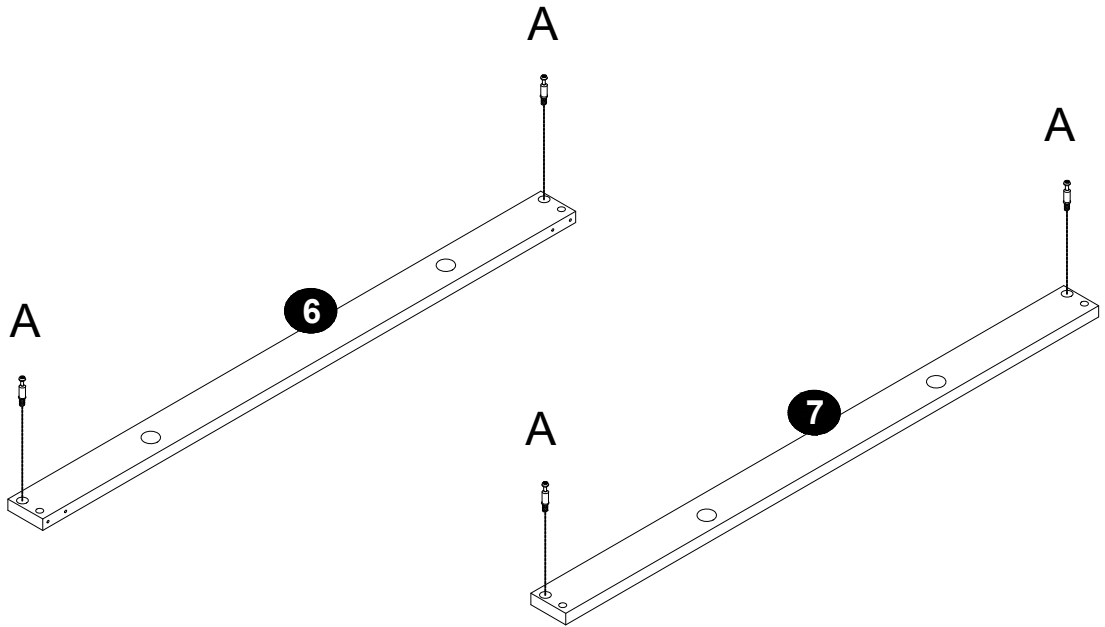
1



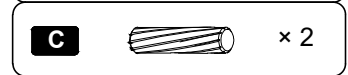
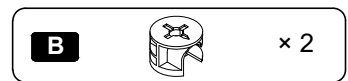
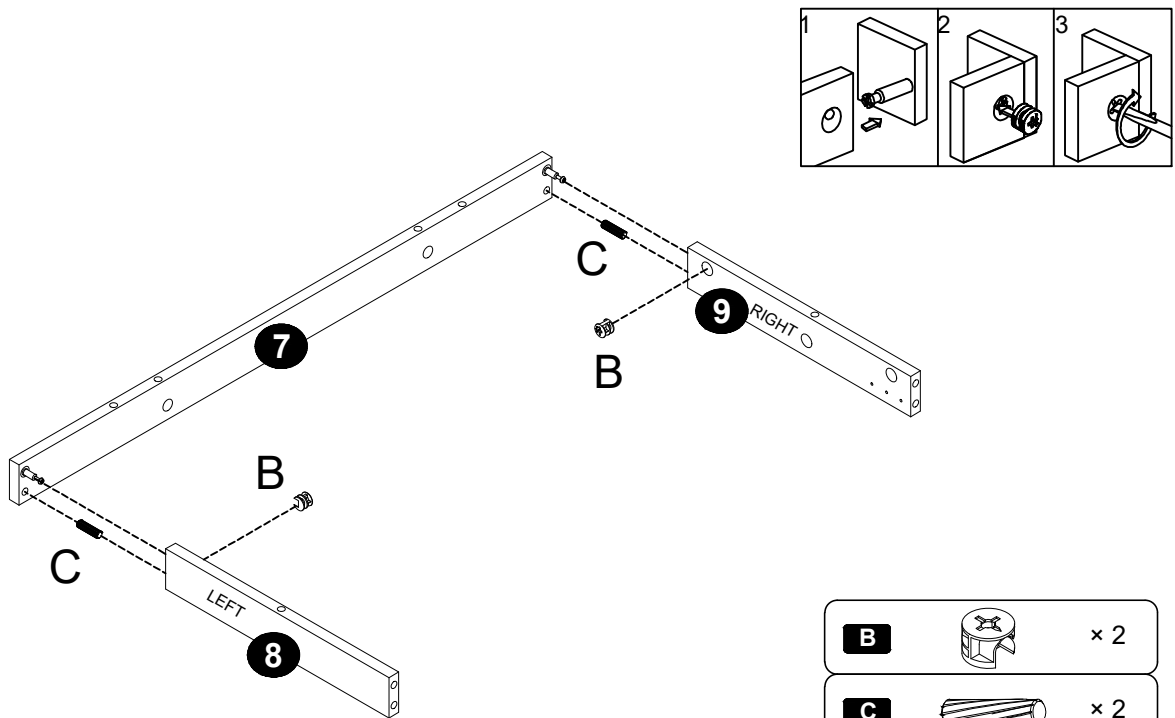




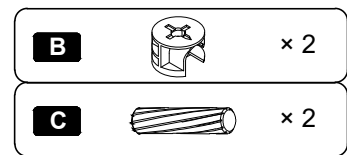
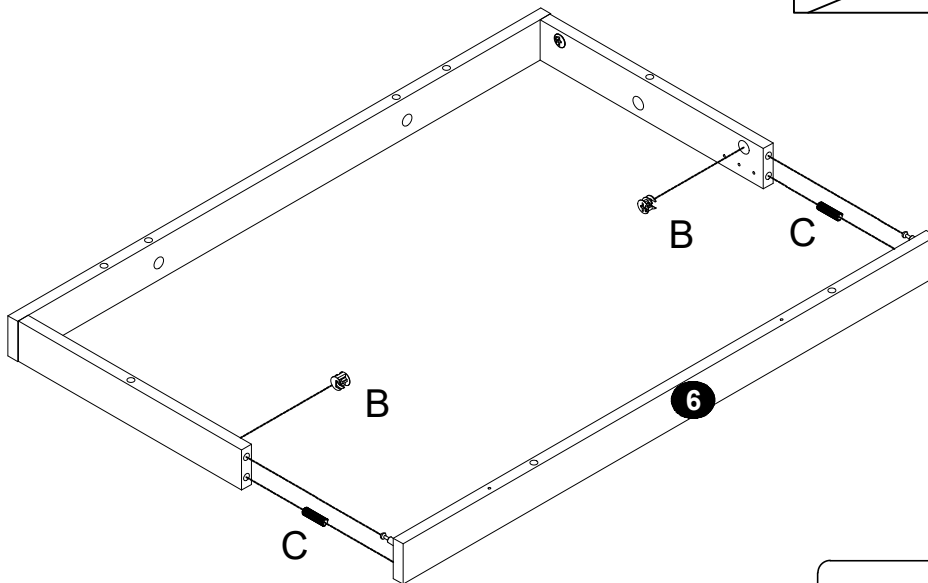
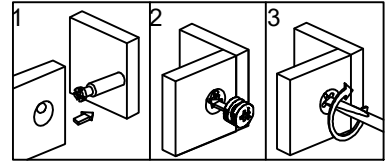
5



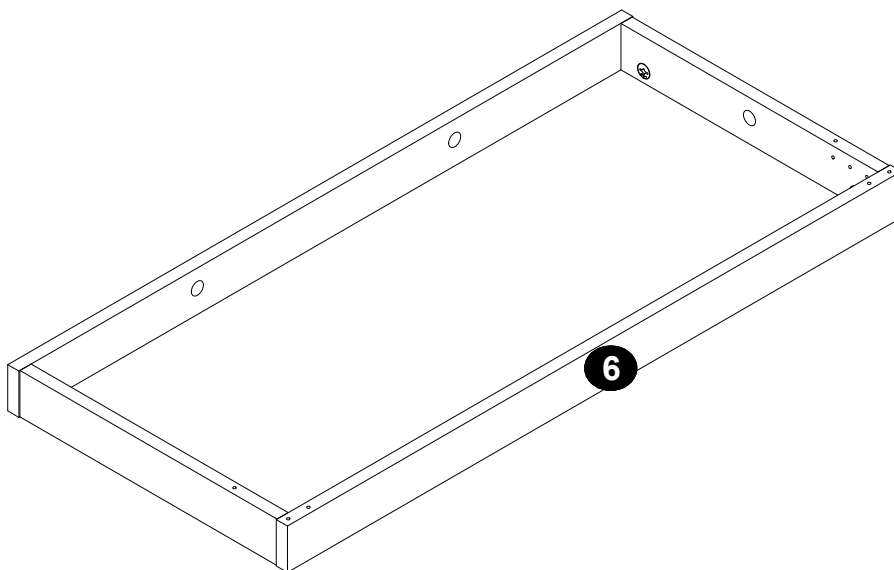
6



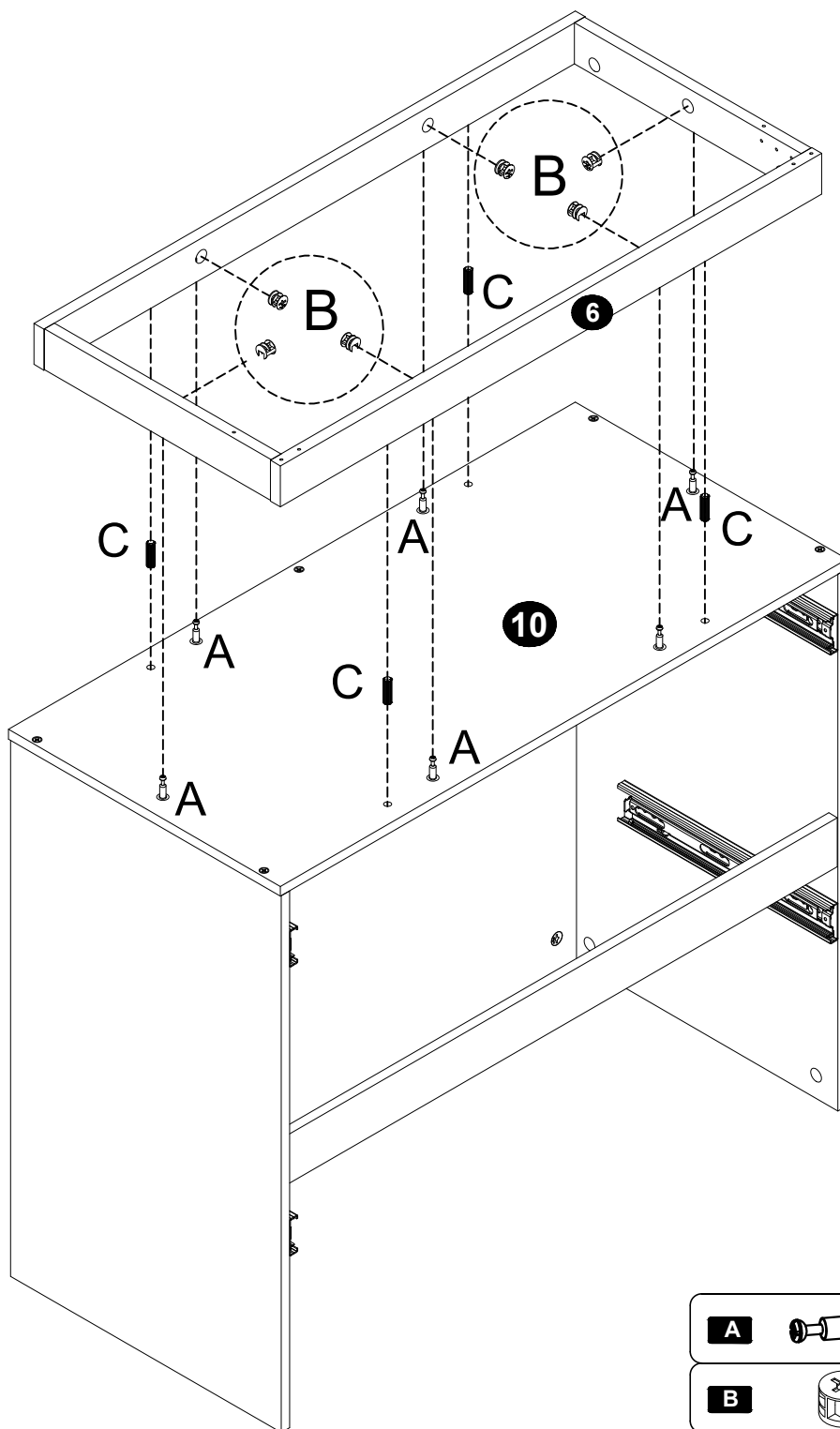
7






8

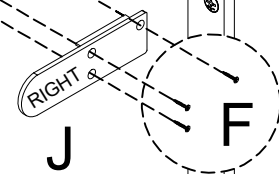
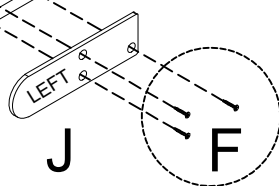
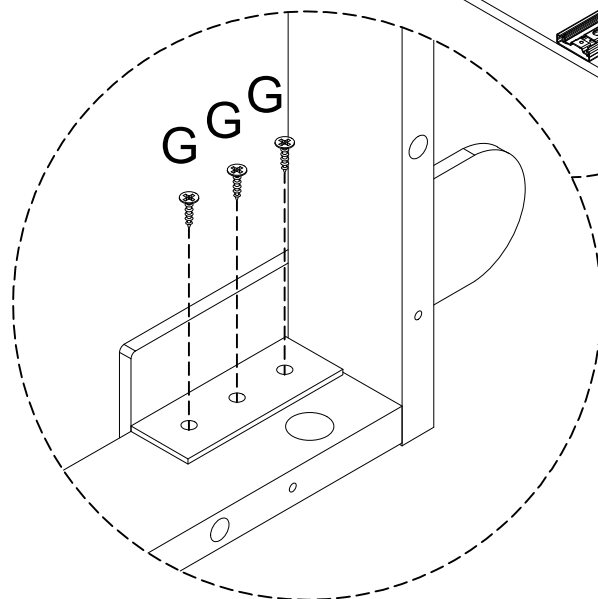
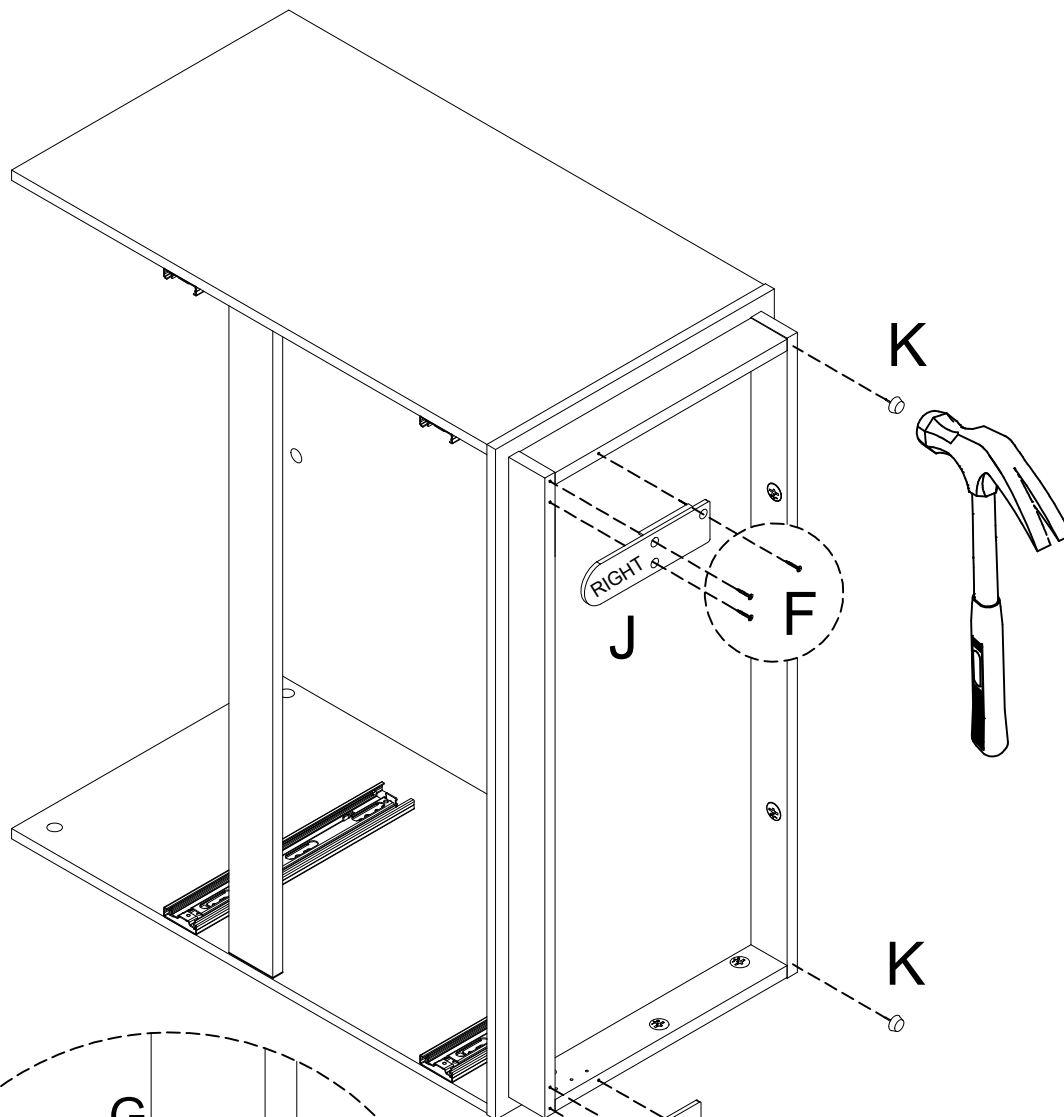





9

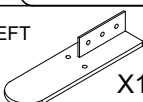
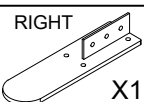


A		× 6
B		× 6
C		× 4

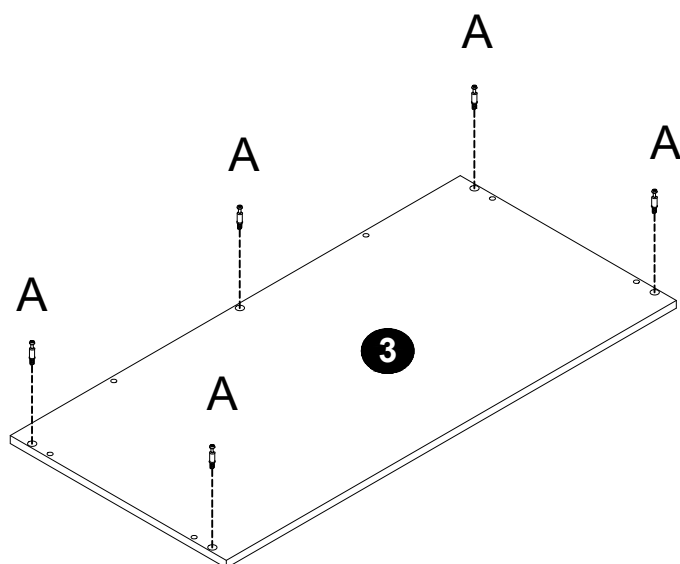
10



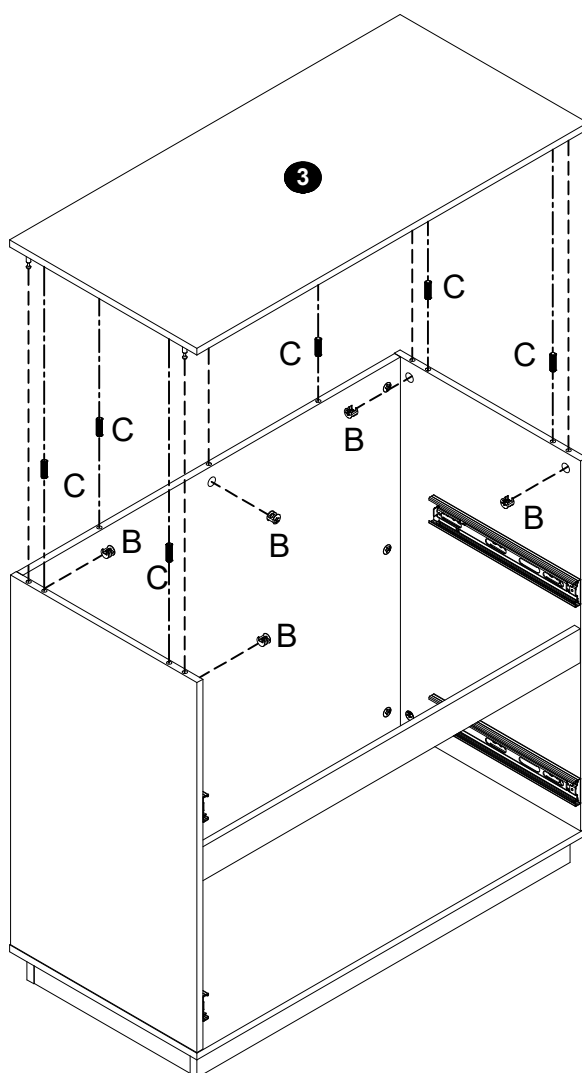
- K**  × 2
- F**  × 6
- G**  × 6

- J** LEFT  X1
- RIGHT  X1

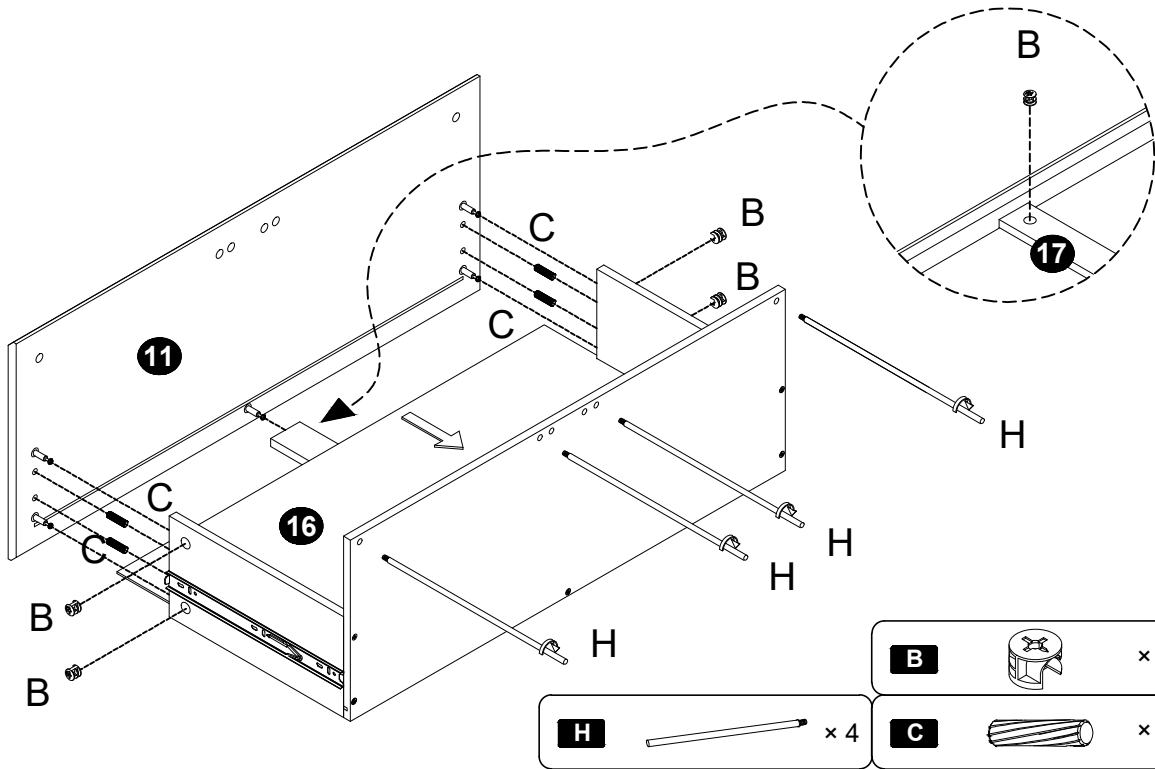
11

**A**  × 5

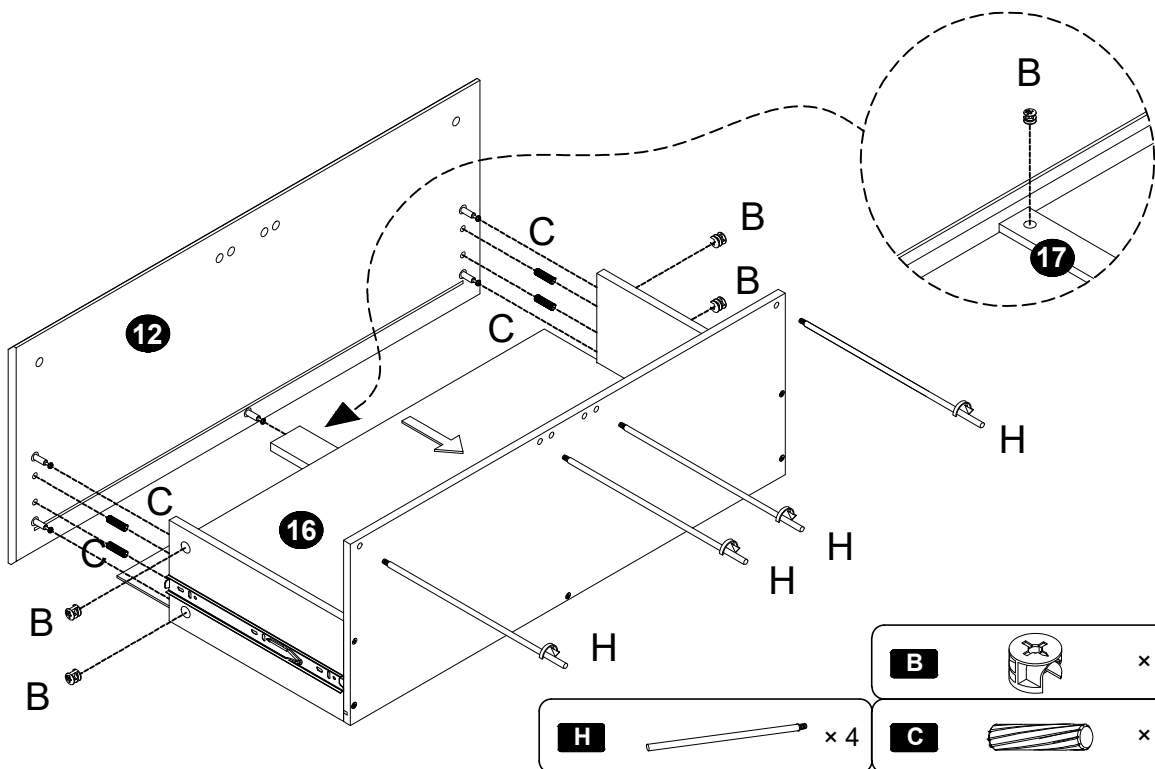
12

**B**  × 5**C**  × 6

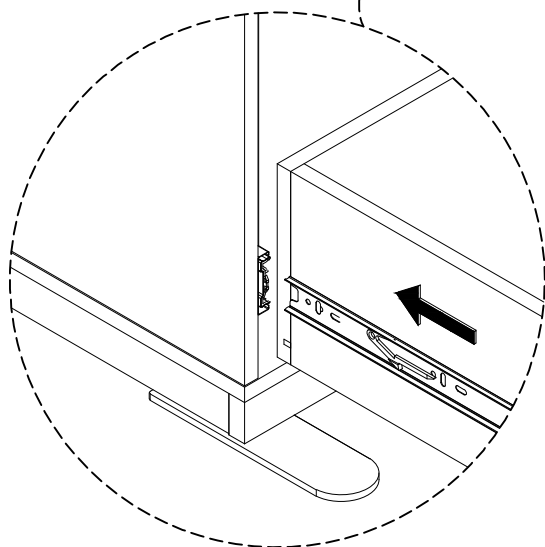
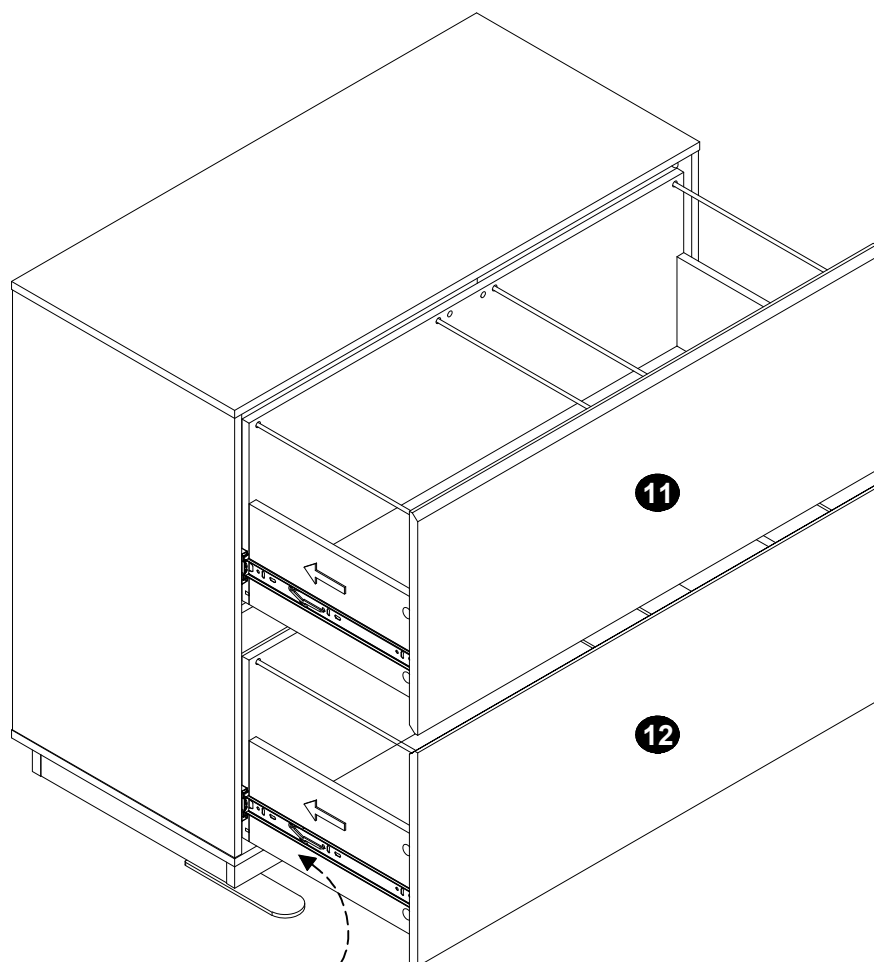
15



16



17

**REMARK:**

Align the slides and push the drawer carefully inside until it stops.

*** If the drawer does not go in smoothly please take it out and repeat the step.**

18

