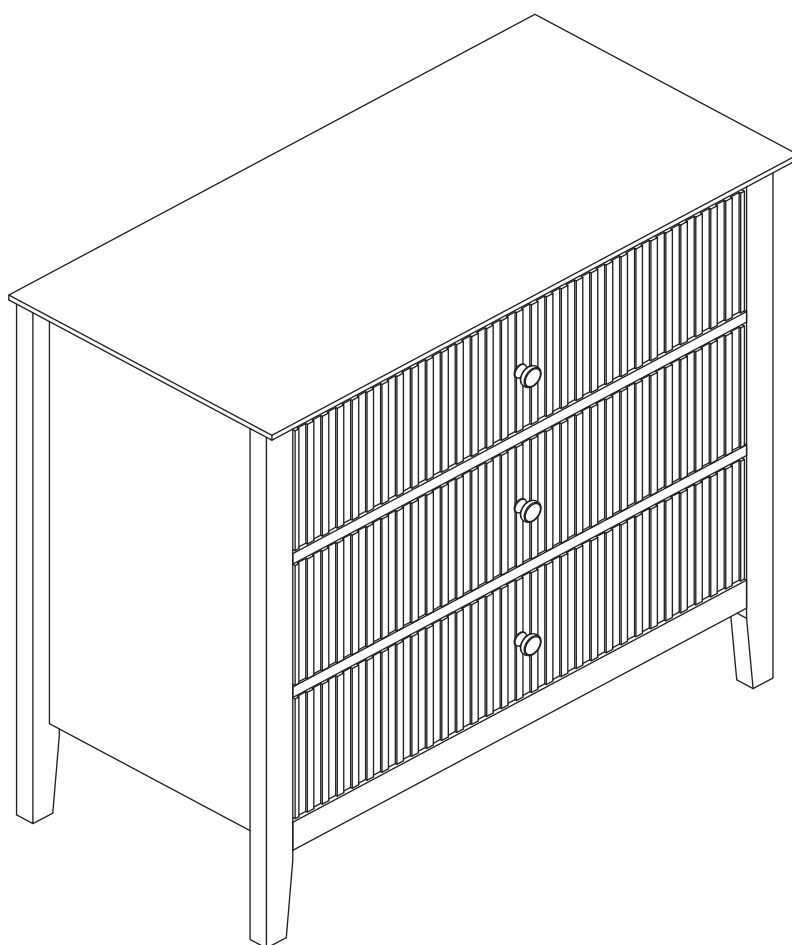


ZSC017



INSTRUCTION MANUAL

ASSEMBLY INSTRUCTIONS

Carefully unpack all the components and verify that all the necessary parts are included as listed in the packaging.

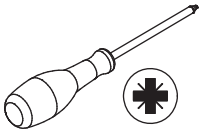
Identify each component and refer to the provided assembly diagram or step-by-step instructions.

Assemble the furniture in the order specified to ensure proper alignment and fit.

Use the provided tools or recommended tools for assembly. Do not use excessive force when tightening screws or bolts.

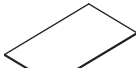

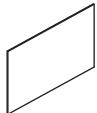







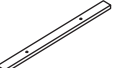




If any difficulties arise during assembly, consult the troubleshooting section or contact our customer support.

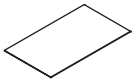


Tools Required



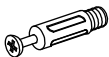










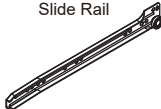





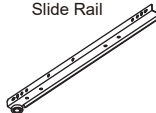


Screwdriver

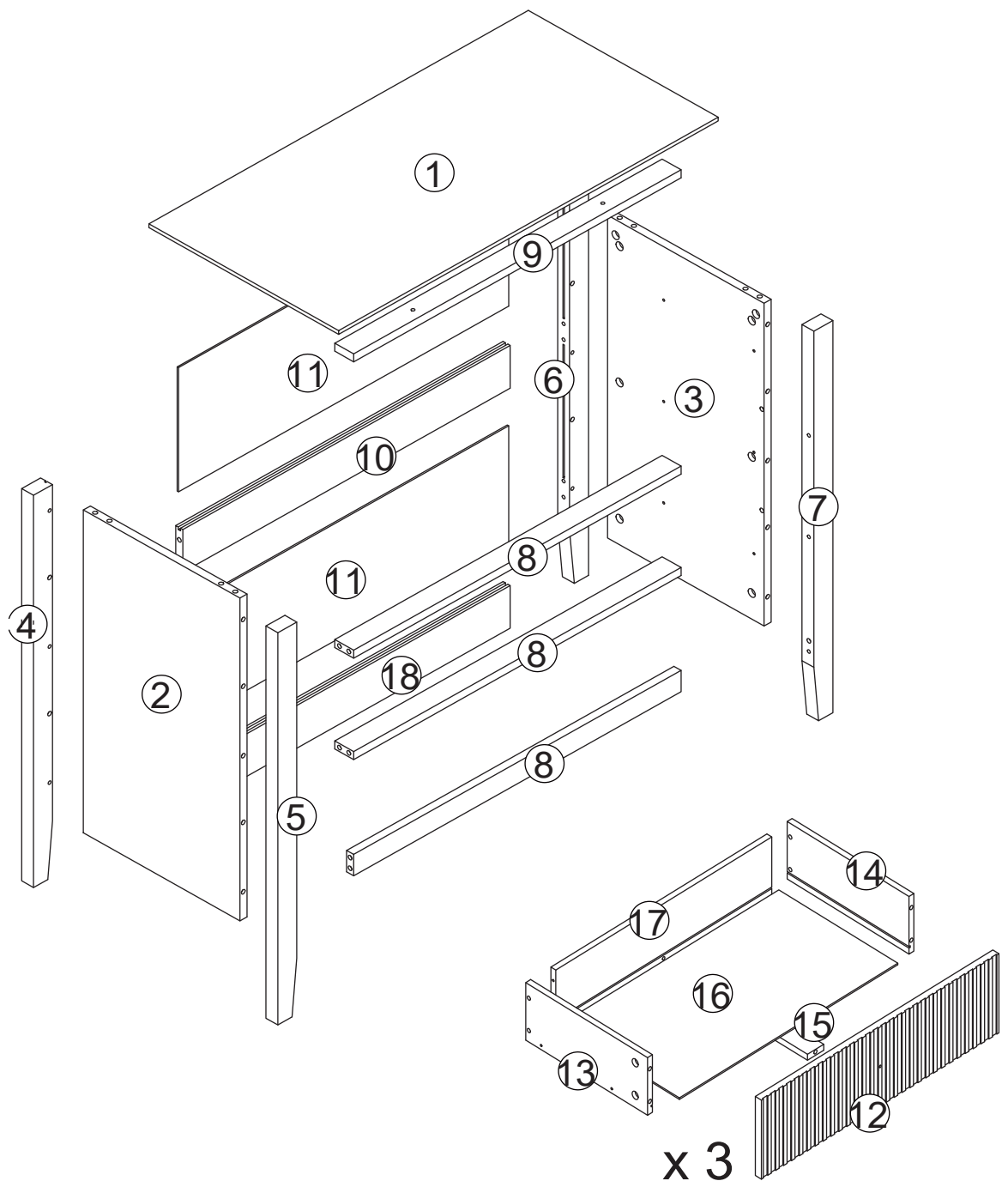
Board Parts List

| NO. | PICTURE | QTY | NO. | PICTURE | QTY | NO. | PICTURE | QTY |
|-----|---|-----|-----|---|-----|-----|---|-----|
| ① |  Top Panel | 1 | ⑥ |  Right Rear Leg | 1 | ⑪ |  Back Panel | 2 |
| ② |  Left Side Panel | 1 | ⑦ |  Right Front Leg | 1 | ⑫ |  Drawer Front Panel | 3 |
| ③ |  Right Side Panel | 1 | ⑧ |  Lower Drawer Bar | 3 | ⑬ |  Left Drawer Side | 3 |
| ④ |  Left Rear Leg | 1 | ⑨ |  Top Horizontal Bar | 1 | ⑭ |  Right Drawer Side | 3 |
| ⑤ |  Left Front Leg | 1 | ⑩ |  Back Panel Bar | 1 | ⑮ |  Drawer Pull Bar | 3 |

| NO. | PICTURE | QTY | NO. | PICTURE | QTY | NO. | PICTURE | QTY |
|-----|--|-----|-----|--|-----|-----|---|-----|
| 16 |  Drawer Bottom Panel | 3 | 17 |  Drawer Back Panel | 3 | 18 |  Back Panel Bar | 1 |

Hardware Parts List

| NO. | PICTURE | QTY | NO. | PICTURE | QTY | NO. | PICTURE | QTY |
|-----|---|---------|-----|---|-----|-----|---|---------|
| A | M6x35mm Bolt  | 45 (+1) | H | Back Panel Fastener  | 8 | O | M4x25mm Screw  | 2 |
| B | M15x10mm Eccentric Wheel  | 45 (+1) | I | M3x16mm Screw  | 8 | P | Screw Hole Cover  | 18 (+1) |
| C | M8x30mm Wooden Dowel  | 18 (+1) | J | Washer  | 4 | CL | Slide Rail  | 3 |
| D | M3x12mm Screw  | 24 (+1) | K | Plastic Expansion  | 2 | CR | Slide Rail  | 3 |
| E | M4x30mm Screw  | 15 (+1) | L | Anti-Tipping Strap  | 2 | DL | Slide Rail  | 3 |
| F | M4x16mm Screw  | 3 | M | M4x14mm Screw  | 2 | DR | Slide Rail  | 3 |
| G | Handle  | 3 | N | M4x35mm Screw  | 2 | | | |

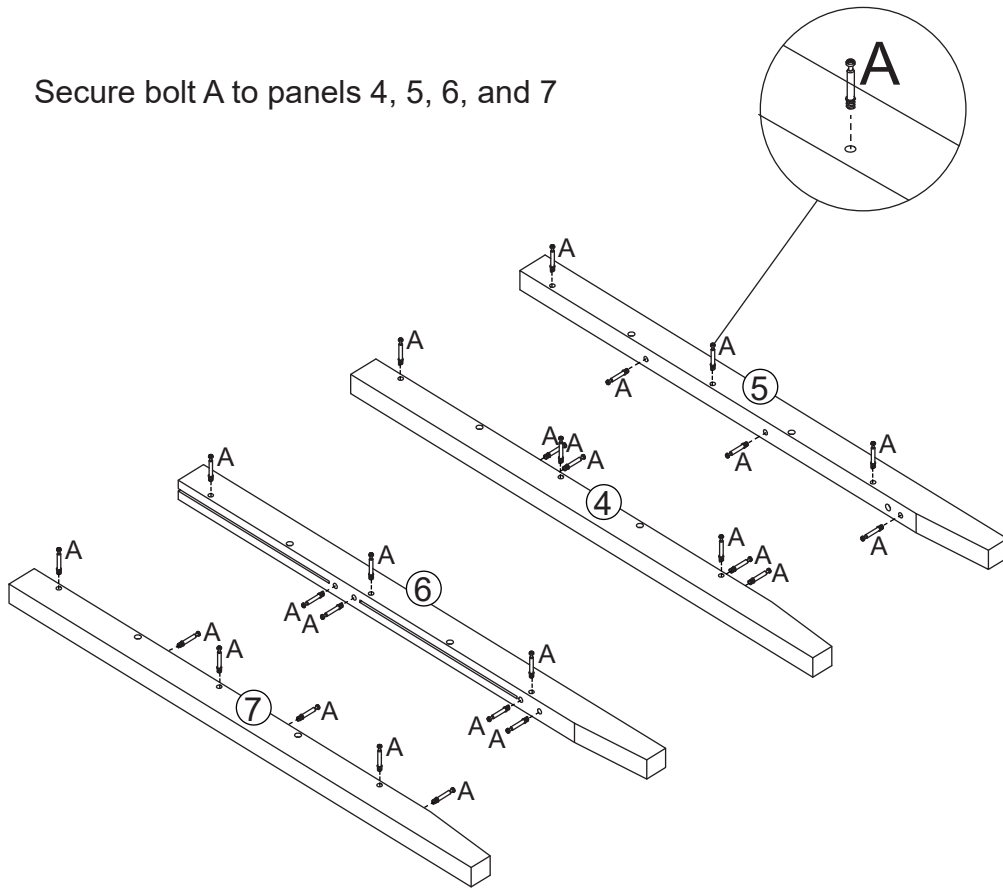




STEP 1

| | |
|-----------------|-----|
| Bolt | |
| | |
| A | X26 |
| Left Rear Leg | |
| | |
| 4 | X1 |
| Left Front Leg | |
| | |
| 5 | X1 |
| Right Rear Leg | |
| | |
| 6 | X1 |
| Right Front Leg | |
| | |
| 7 | X1 |

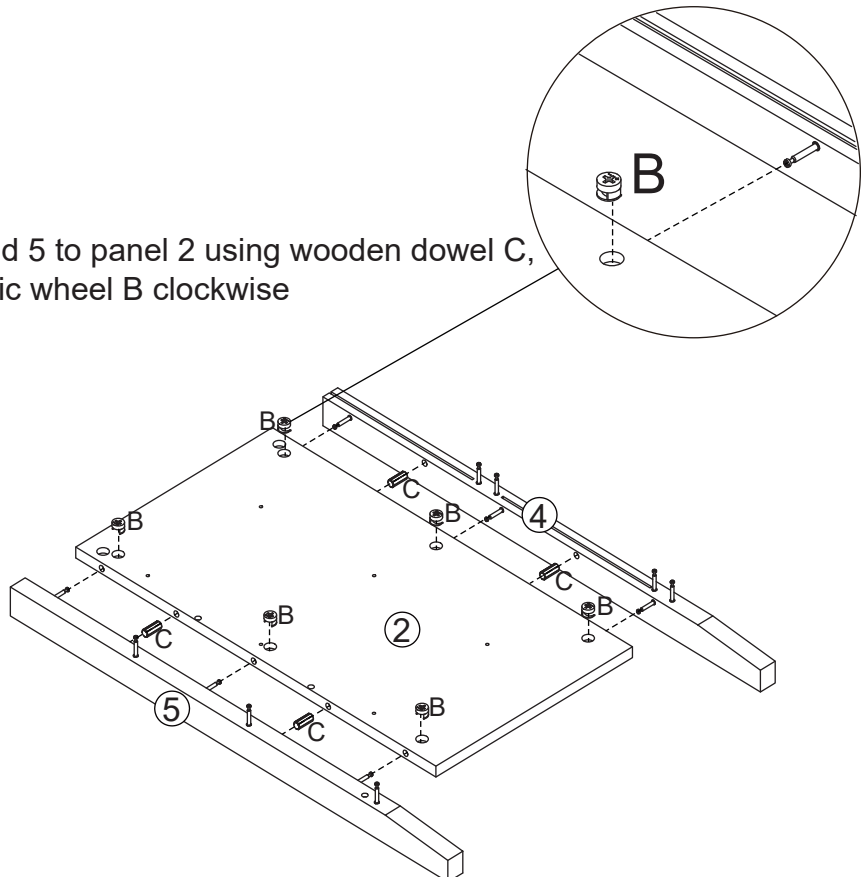
Secure bolt A to panels 4, 5, 6, and 7



STEP 2

| | |
|--------------------------|----|
| M15x10mm Eccentric Wheel | |
| | |
| B | X6 |
| M8x30mm Wooden Dowel | |
| | |
| C | X4 |
| Left Side Panel | |
| | |
| 2 | X1 |

Connect panels 4 and 5 to panel 2 using wooden dowel C, then tighten eccentric wheel B clockwise






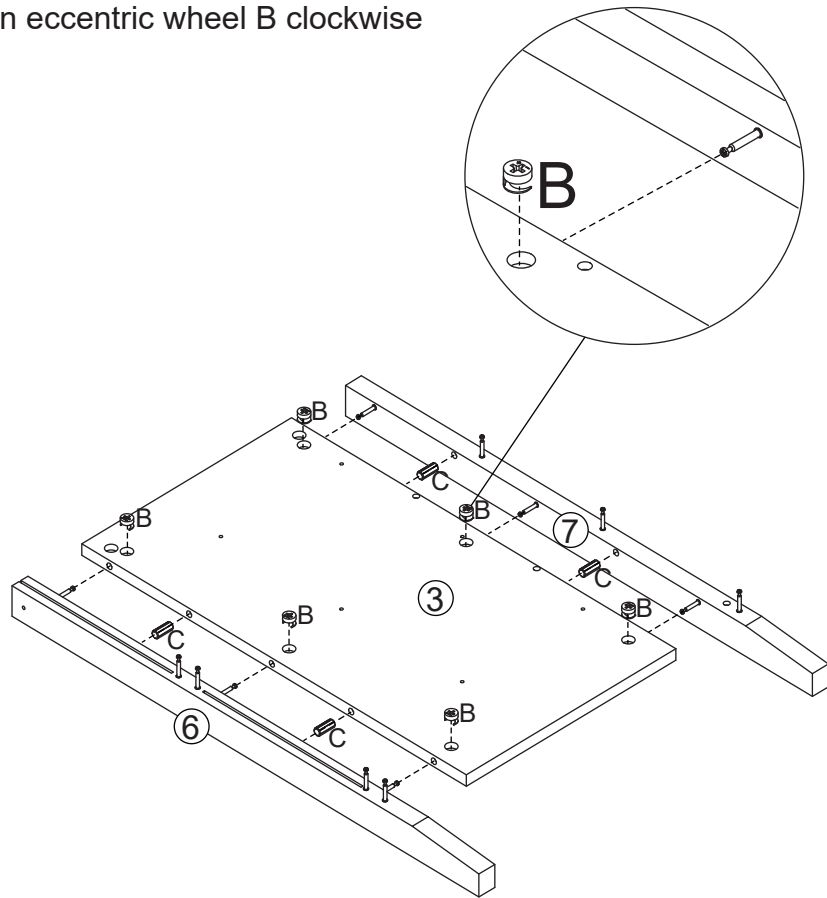


ASSEMBLY INSTRUCTIONS

STEP 3



Connect panels 6 and 7 to panel 3 using wooden dowel C, then tighten eccentric wheel B clockwise

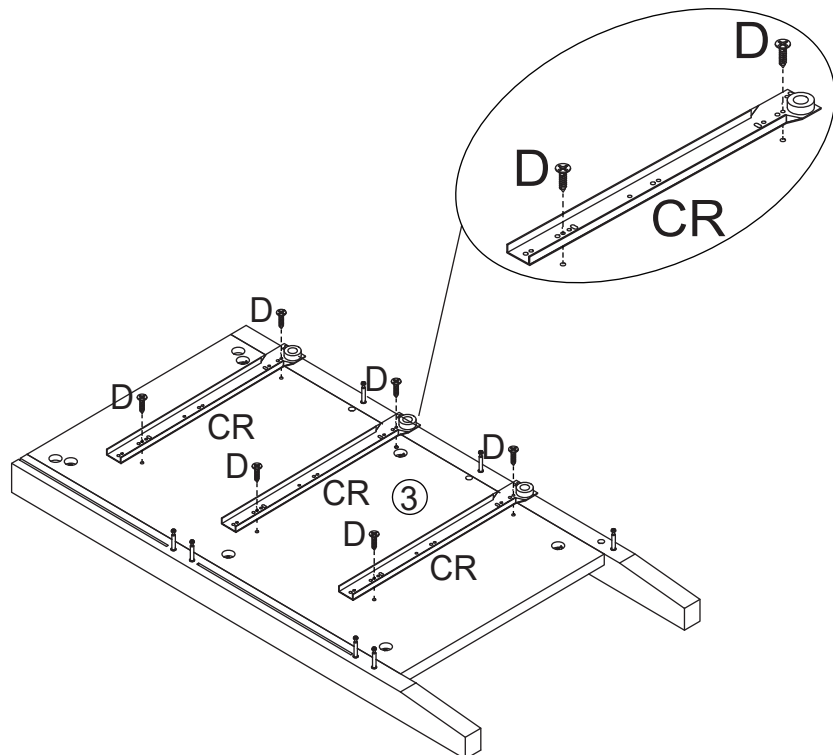
| | |
|---|----|
| M15x10mm Eccentric Wheel | |
|  | |
| B | X6 |
| M8x30mm Wooden Dowel | |
|  | |
| C | X4 |
| Right Side Panel | |
|  | |
| 3 | X1 |




STEP 4

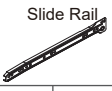
Secure the slide rail CR onto panel 3 using screw D

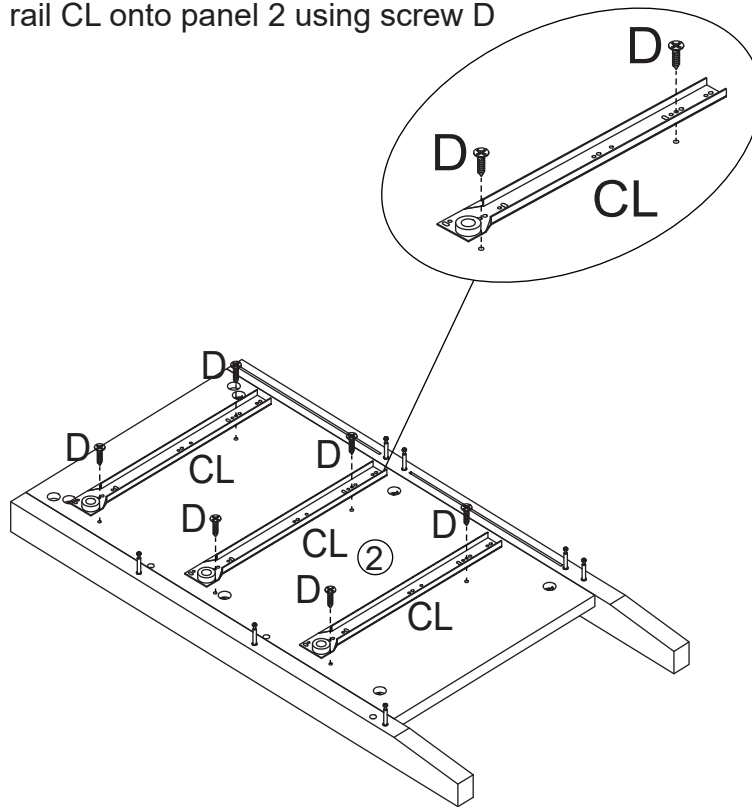
| | |
|---|----|
| M3x12mm Screw | |
|  | |
| D | X6 |
| Slide Rail | |
|  | |
| CR | X3 |



STEP 5 Secure slide rail CL onto panel 2 using screw D


| | |
|---|----|
| M3x12mm Screw | |
|  | |
| D | X6 |


| | |
|---|----|
| Slide Rail | |
|  | |
| CL | X3 |




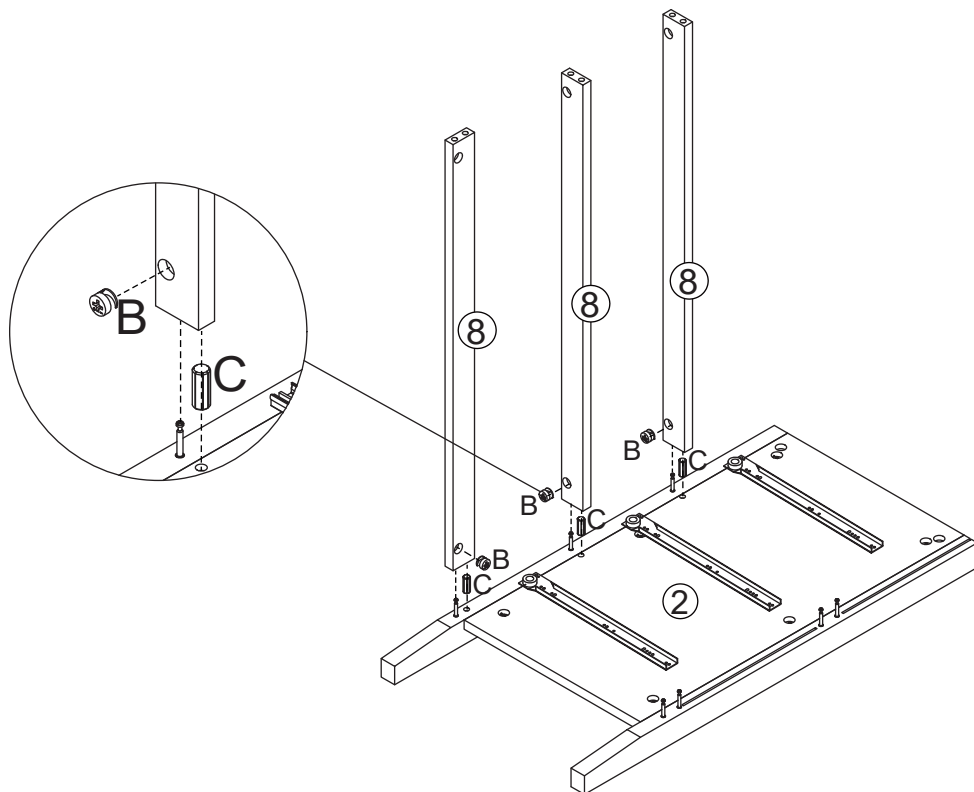
STEP 6

Connect panels 8 to panel 2 using wooden dowel C, then tighten eccentric wheel B clockwise

| | |
|---|----|
| M15x10mm Eccentric Wheel | |
|  | |
| B | X3 |

| | |
|---|----|
| M8x30mm Wooden Dowel | |
|  | |
| C | X3 |


| | |
|---|----|
| Lower Drawer Bar | |
|  | |
| ⑧ | X3 |







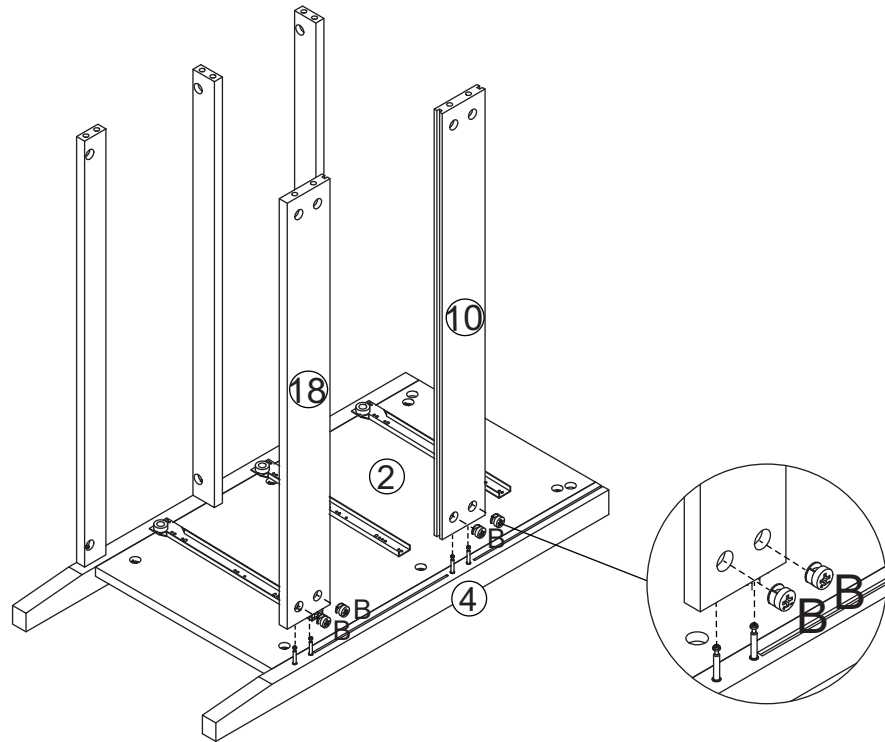
STEP 7

Attach panels 10 and 18 to panel 4,
and then tighten eccentric wheel B clockwise


| | |
|---|----|
| M15x10mm Eccentric Wheel | |
|  | |
| B | X4 |

| | |
|---|----|
| Back Panel Bar | |
|  | |
| 10 | X1 |

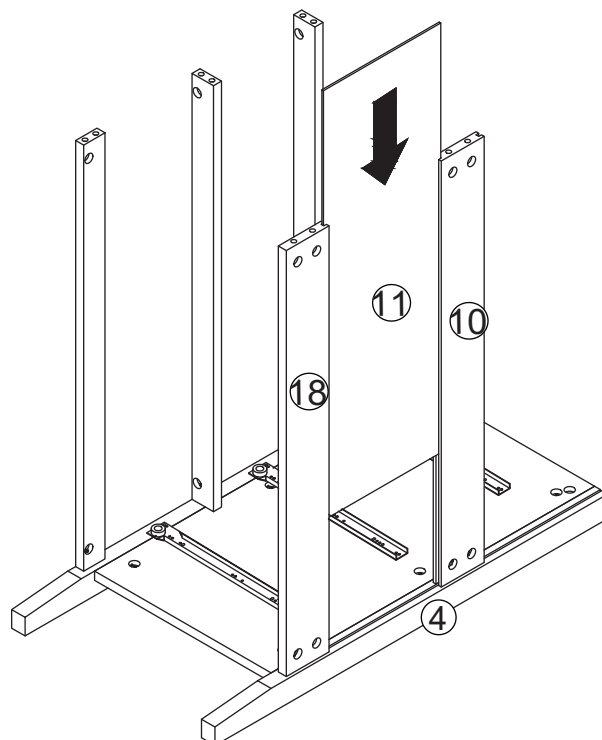
| | |
|---|----|
| Back Panel Bar | |
|  | |
| 18 | X1 |



STEP 8



| | |
|---|----|
| Back Panel | |
|  | |
| 11 | X1 |

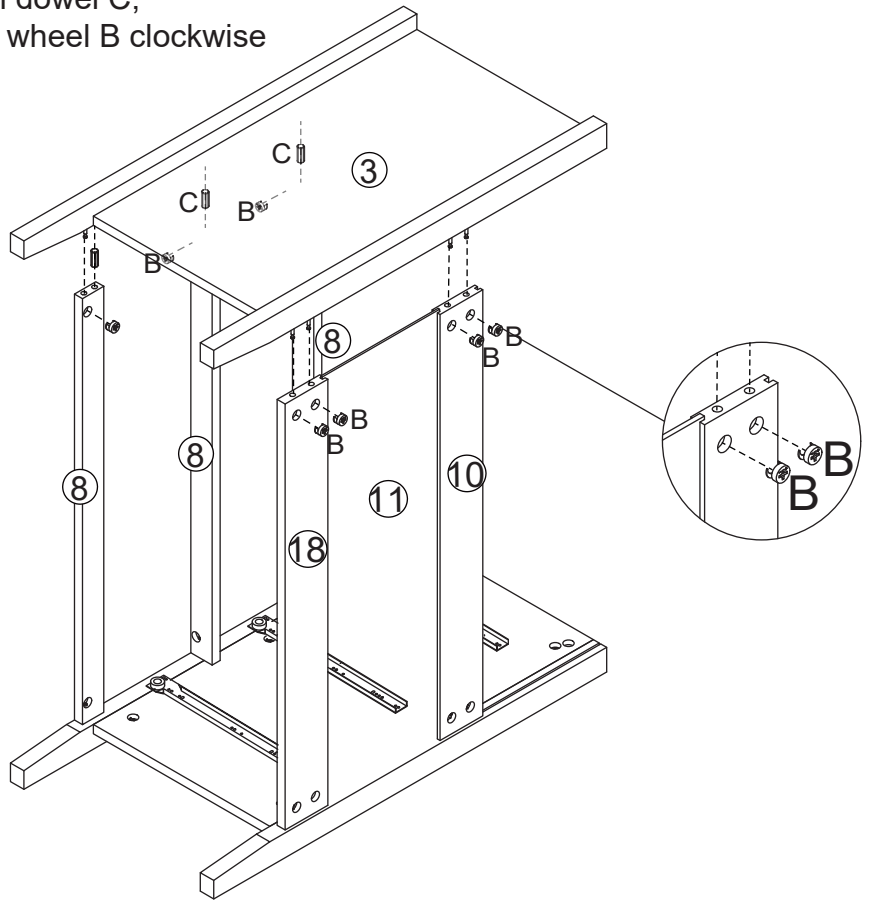
Slide back panel 11 into the assembled components



STEP 9

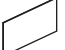
Connect panel 3 to panels 8, 10,
and 18 using wooden dowel C,
then tighten eccentric wheel B clockwise

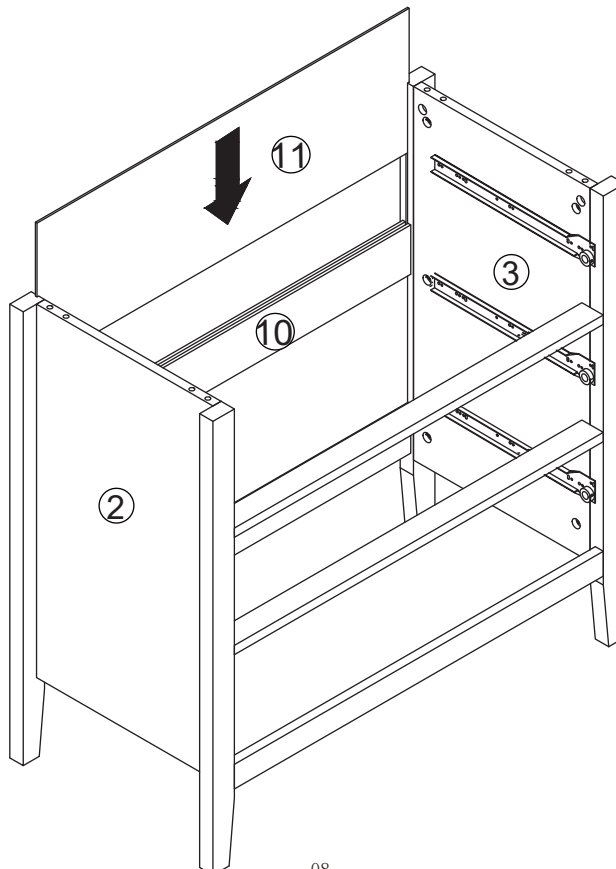
| | |
|---|----|
| M15x10mm Eccentric Wheel | |
|  | |
| B | X7 |
| M8x30mm Wooden Dowel | |
|  | |
| C | X3 |



STEP 10

Slide back panel 11 into the assembled components

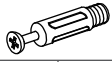
| | |
|---|----|
|  | |
| Back Panel | |
| 11 | X1 |

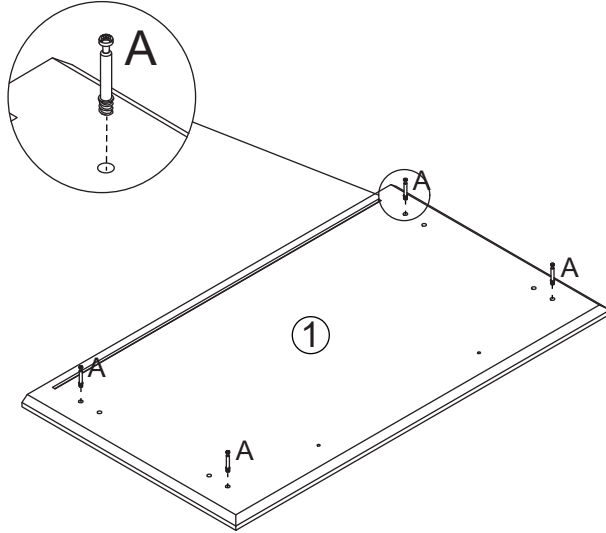




STEP 11


Secure screw A to panel 1

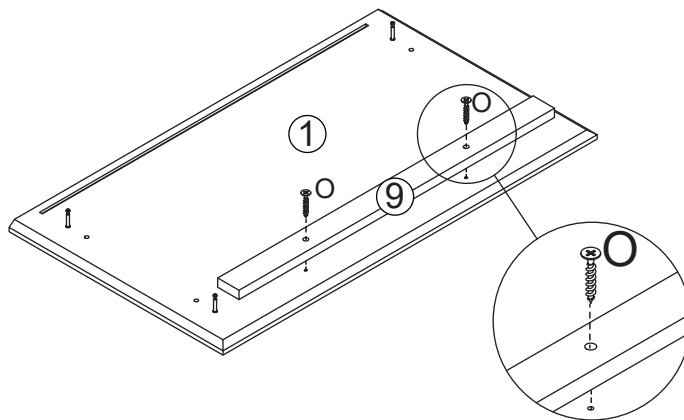
| | |
|---|----|
| Bolt | |
|  | |
| A | X4 |
| Top Panel | |
| ① | X1 |



STEP 12




Secure panel 9 to panel 1 using screw O

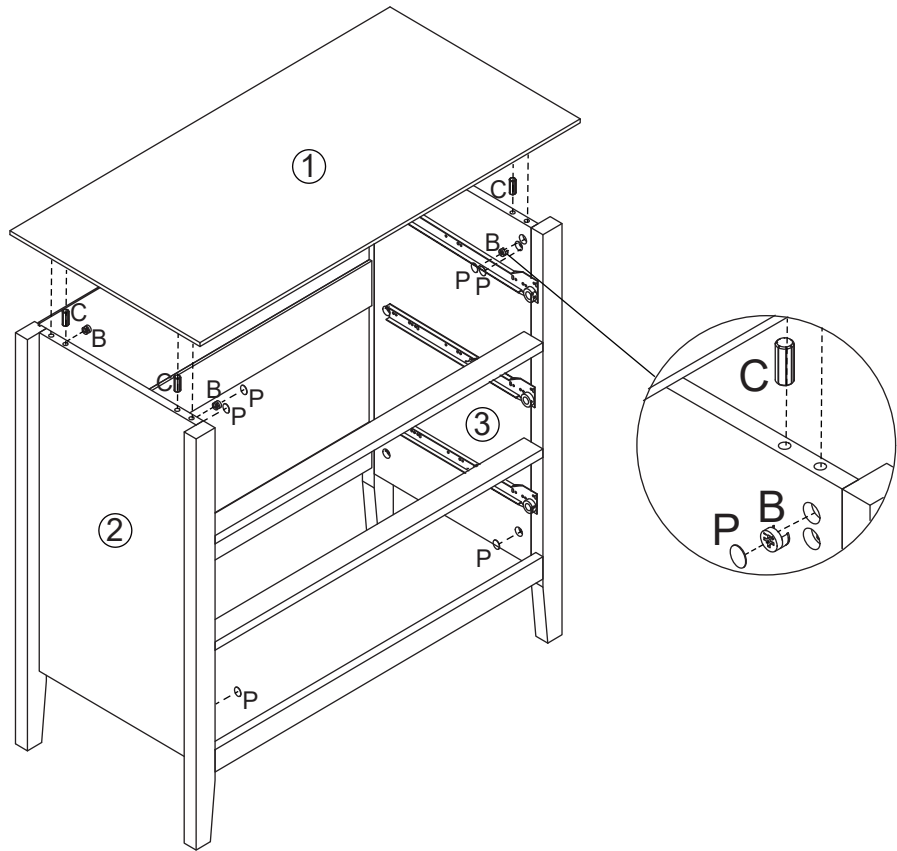
| | |
|---|----|
| M4x25mm Screw | |
|  | |
| O | X2 |
| Top Horizontal Bar | |
| ⑨ | X1 |



STEP 13






Connect panel 1 to panels 2 and 3 using wooden dowel C, then tighten eccentric wheel B clockwise, and finally, apply hole sticker P

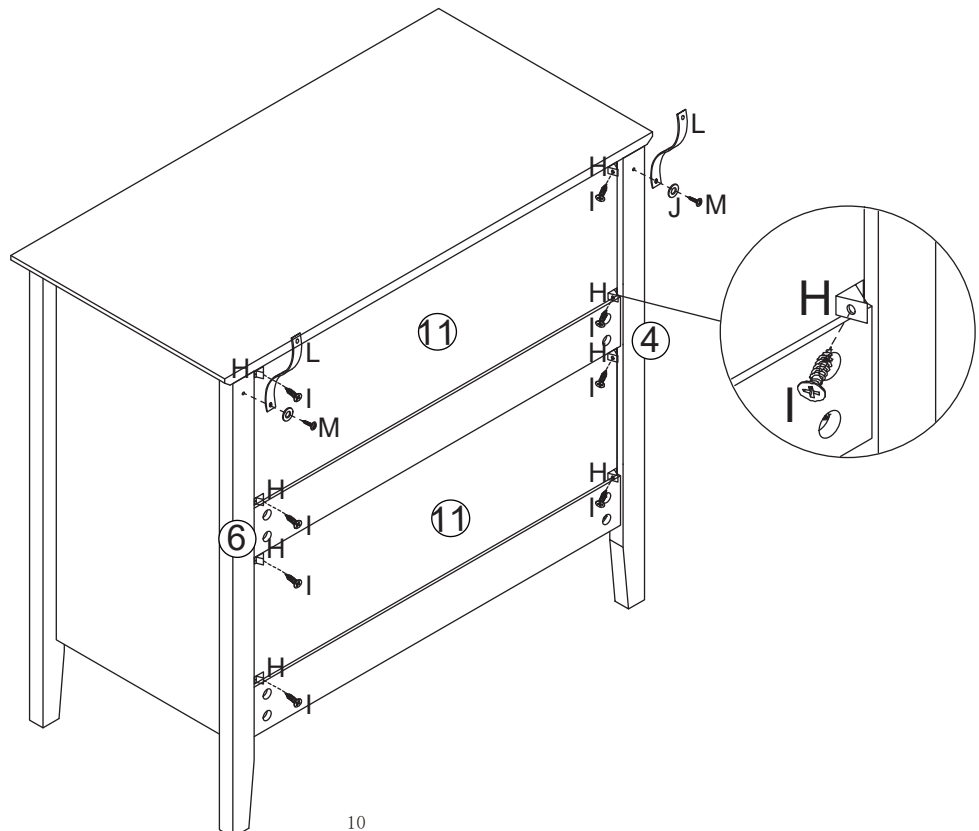
| | |
|---|----|
| M15x10mm Eccentric Wheel | |
|  | |
| B | X4 |
| M8x30mm Wooden Dowel | |
|  | |
| C | X4 |
| Screw Hole Cover | |
|  | |
| P | X6 |



STEP 14

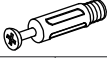
Secure back panel fastener H to the back panel using screw I, then install the anti-tipping strap L on panels 4 and 6


| | |
|---|----|
| M3x16mm Screw | |
|  | |
| H | X8 |
| Back Panel Fastener | |
|  | |
| I | X8 |
| Washer | |
|  | |
| J | X2 |
| Anti-Tipping Strap | |
|  | |
| L | X2 |
| M4x14mm Screw | |
|  | |
| M | X2 |

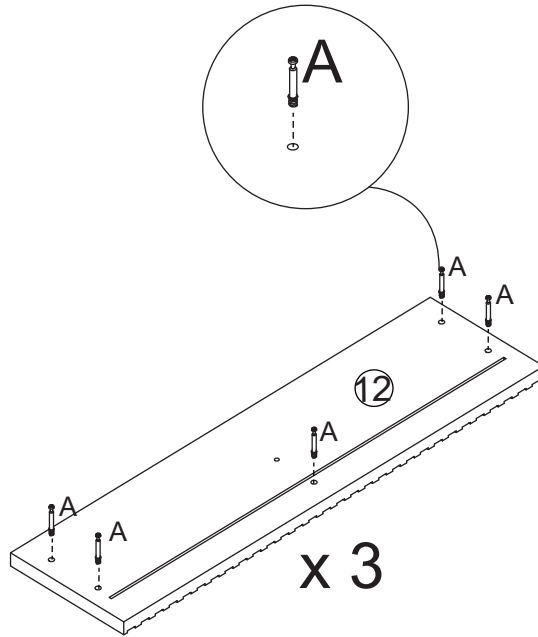


STEP 15

Secure screw A onto panel 12


| | |
|---|-----|
| Bolt | |
|  | |
| A | X15 |


| | |
|---|----|
| Drawer Front Panel | |
|  | |
| 12 | X3 |




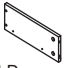
STEP 16


Secure the slide rail DL&DR onto panels 13 and 14 using screw D

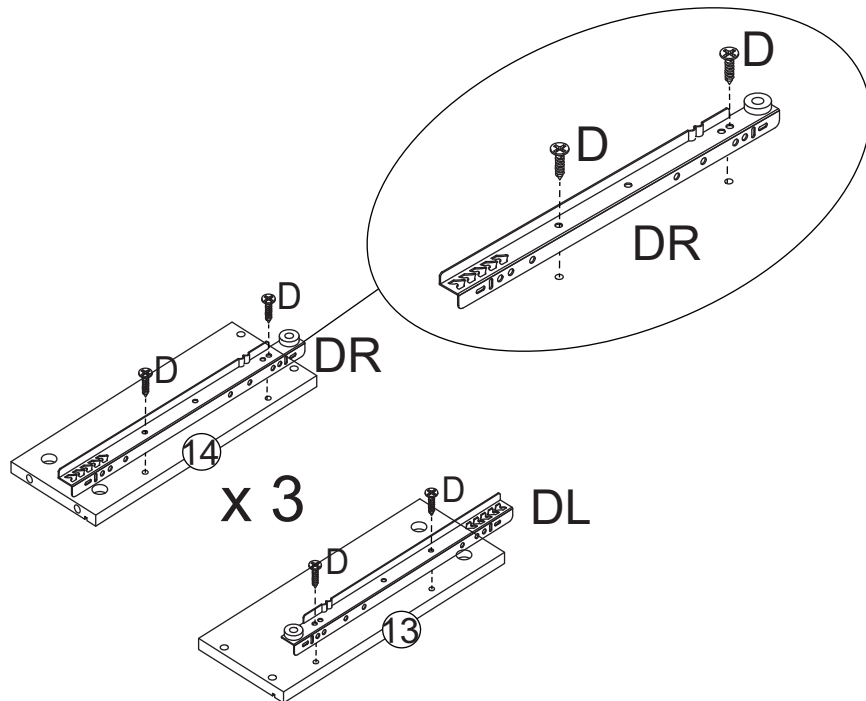
| | |
|---|-----|
| M3x12mm Screw | |
|  | |
| D | X12 |

| | |
|---|----|
| Slide Rail | |
|  | |
| DL | X3 |

| | |
|---|----|
| Slide Rail | |
|  | |
| DR | X3 |




| | |
|---|----|
| Left Drawer Side | |
|  | |
| 13 | X3 |

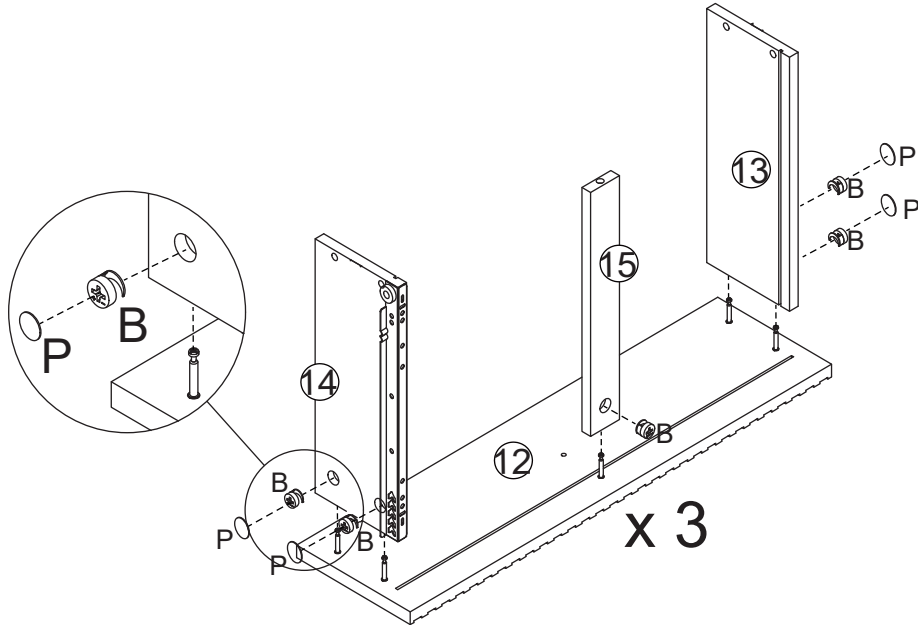
| | |
|---|----|
| Right Drawer Side | |
|  | |
| 14 | X3 |



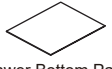
STEP 17

Connect panels 13, 14, and 15 to panel 12, tighten eccentric wheel B clockwise, and finally, apply hole sticker P

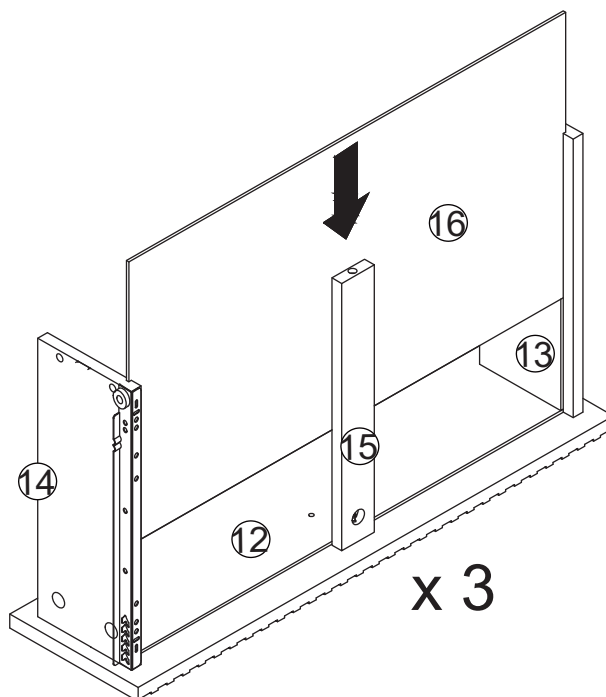
| | |
|---|-----|
| M15x10mm Eccentric Wheel | |
|  | |
| B | X15 |
| Screw Hole Cover | |
|  | |
| P | X12 |
| Drawer Pull Bar | |
|  | |
| 15 | X3 |




STEP 18


| | |
|---|----|
|  | |
| Drawer Bottom Panel | |
| 16 | X3 |

Slide drawer bottom panel 16 into the assembled components

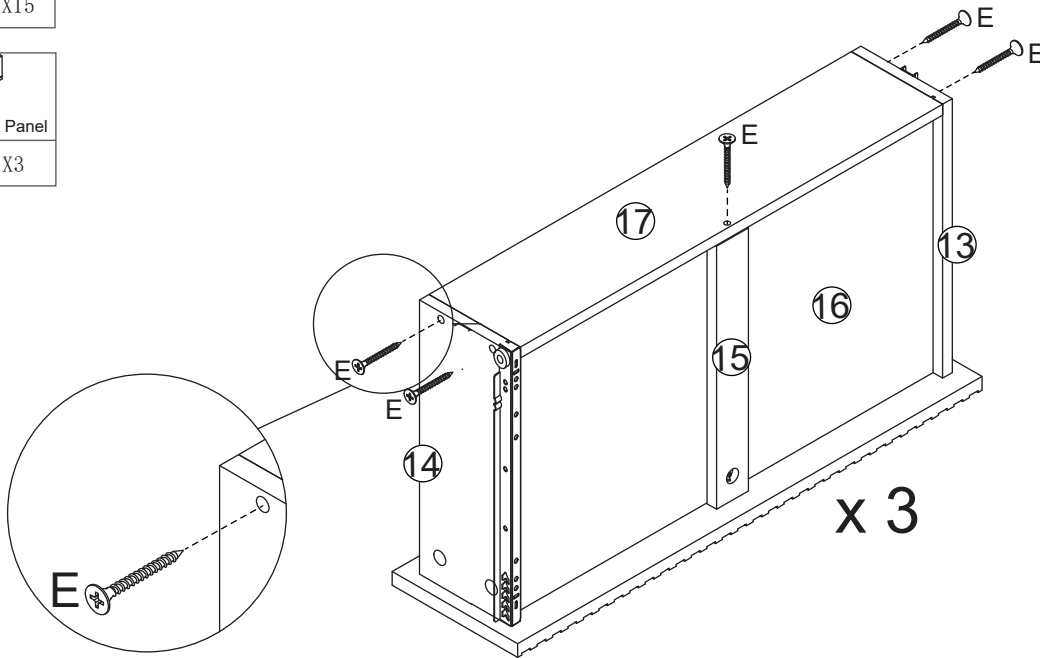


STEP 19


| | |
|---|-----|
| M4x30mm Screw | |
|  | |
| E | X15 |


| | |
|---|----|
| Drawer Back Panel | |
|  | |
| 17 | X3 |

Attach panel 17 to the assembled components and secure it with screw E

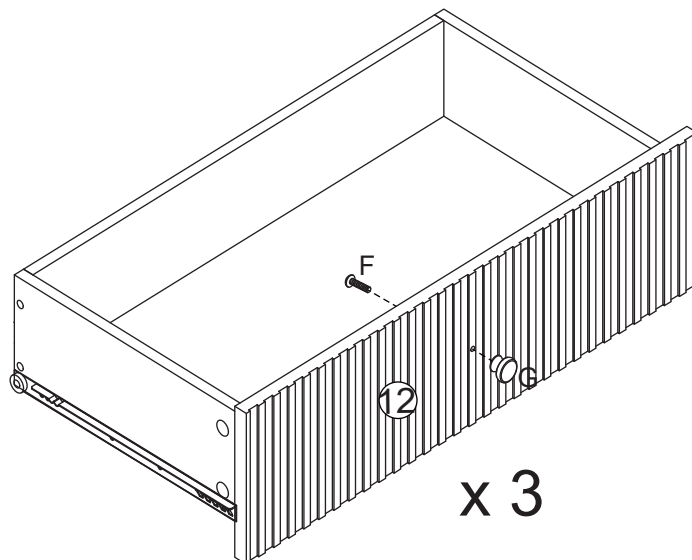


STEP 20

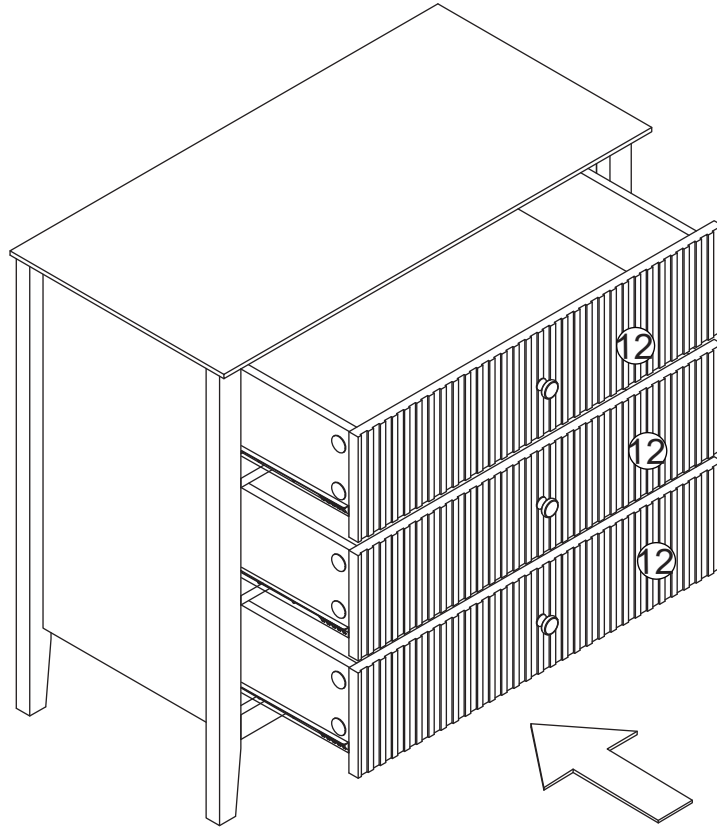
| | |
|---|----|
| M4x16mm Screw | |
|  | |
| F | X3 |

| | |
|---|----|
| Handle | |
|  | |
| G | X3 |

Secure handle G onto panel 12 using screw F






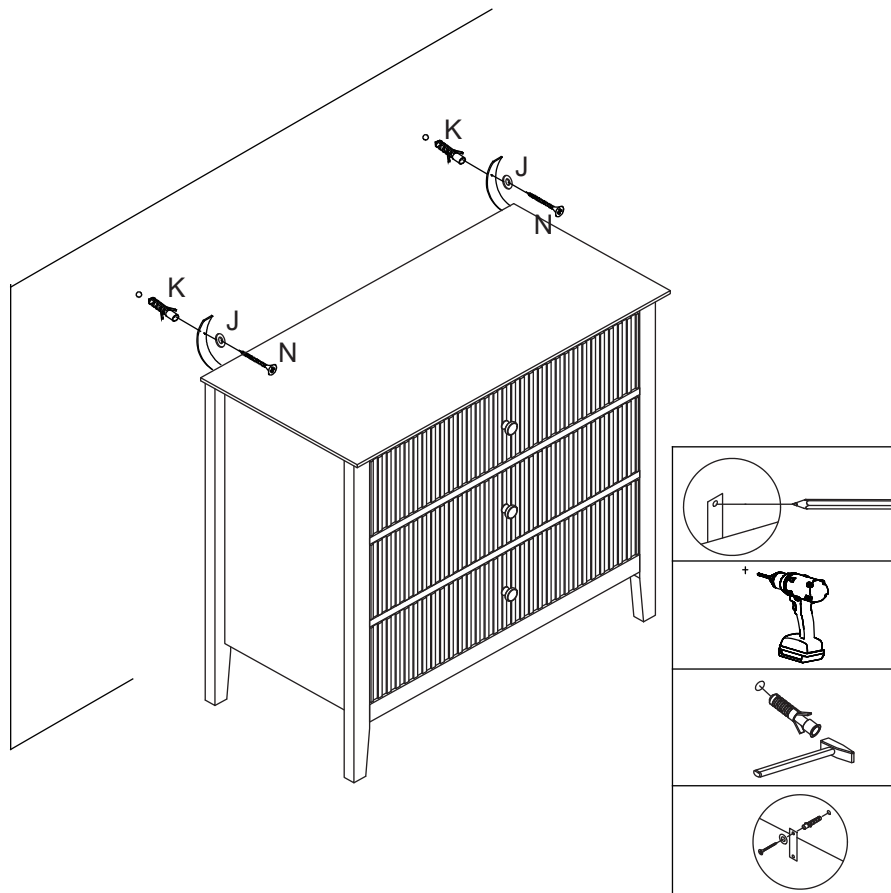
STEP 42



Place the drawer inside the cabinet.

STEP 33

| | |
|---|----|
| Washer | |
|  | |
| J | X2 |
| Plastic Expansion | |
|  | |
| K | X2 |
| M4x35mm Screw | |
|  | |
| N | X2 |



Use components K, J, and N to assemble hardware L on the wall to prevent tipping.



MAINTENANCE AND CARE

Clean regularly using a soft brush or vacuum with a brush attachment. Avoid harsh chemicals or abrasive cleaners.

Wash with a hose or pressure washer on a low-pressure setting for heavy soiling. Rinse thoroughly afterward.

Ensure proper drying after cleaning or exposure to rain to prevent mold or mildew growth.

Protect from extreme weather by moving furniture to a covered area or using furniture covers or tarps.

Avoid dragging or placing heavy objects on the furniture to prevent damage.

Apply UV protection spray or furniture wax to prevent fading and damage from the sun.

Regularly inspect for wear, loose strands, or damage and address issues promptly.



WARRANTY INFORMATION

Warranty Coverage: Our warranty provides protection against manufacturing defects in materials and workmanship for a specified period from the date of purchase, as outlined in the accompanying warranty documentation.

Exclusions: The warranty does not cover damages resulting from misuse, negligence, accidents, normal wear and tear, unauthorized repairs or modifications, improper assembly, or failure to adhere to the care and maintenance guidelines provided.

Warranty Claim Process

To initiate a return on Amazon, please follow these steps:

- 1 Log into your Amazon account and go to the "Your Orders" section.
- 2 Locate the order containing the item you wish to return.
- 3 Contact our customer service for assistance in obtaining a prepaid return label.
- 4 Once you receive the return label, securely affix it to the package.
- 5 You can then choose to drop off the package at a designated carrier location or arrange for a pickup.
- 6 After we receive and inspect the returned product, we will initiate the refund process.
- 7 The refund will be credited back to the original payment method used during the purchase.
- 8 Typically, refunds are processed within 3-5 business days.



Contact Information

If you have any questions, concerns, or need assistance,
please reach out to our customer support team using the contact information
provided below:

Customer Support Email

support@sunvivi.com
