

# Storage Cabinet

---



Please make sure to read the instruction manual carefully before installing the product.

---

## Do Not Return This Product!

Contact our customer service team  
for help first.



## WARNING

- Unit can tip over causing severe injury or death.
- Anchor unit to stud in wall ( if instructed to )
- Do Not allow children to climb on unit.
- put heavy items on lower shelves or drawers.

**PEOPLE NEEDED  
FOR ASSEMBLY:2**

## CONTACT US!

### Do NOT return this product!

Contact our friendly customer service team first for help.

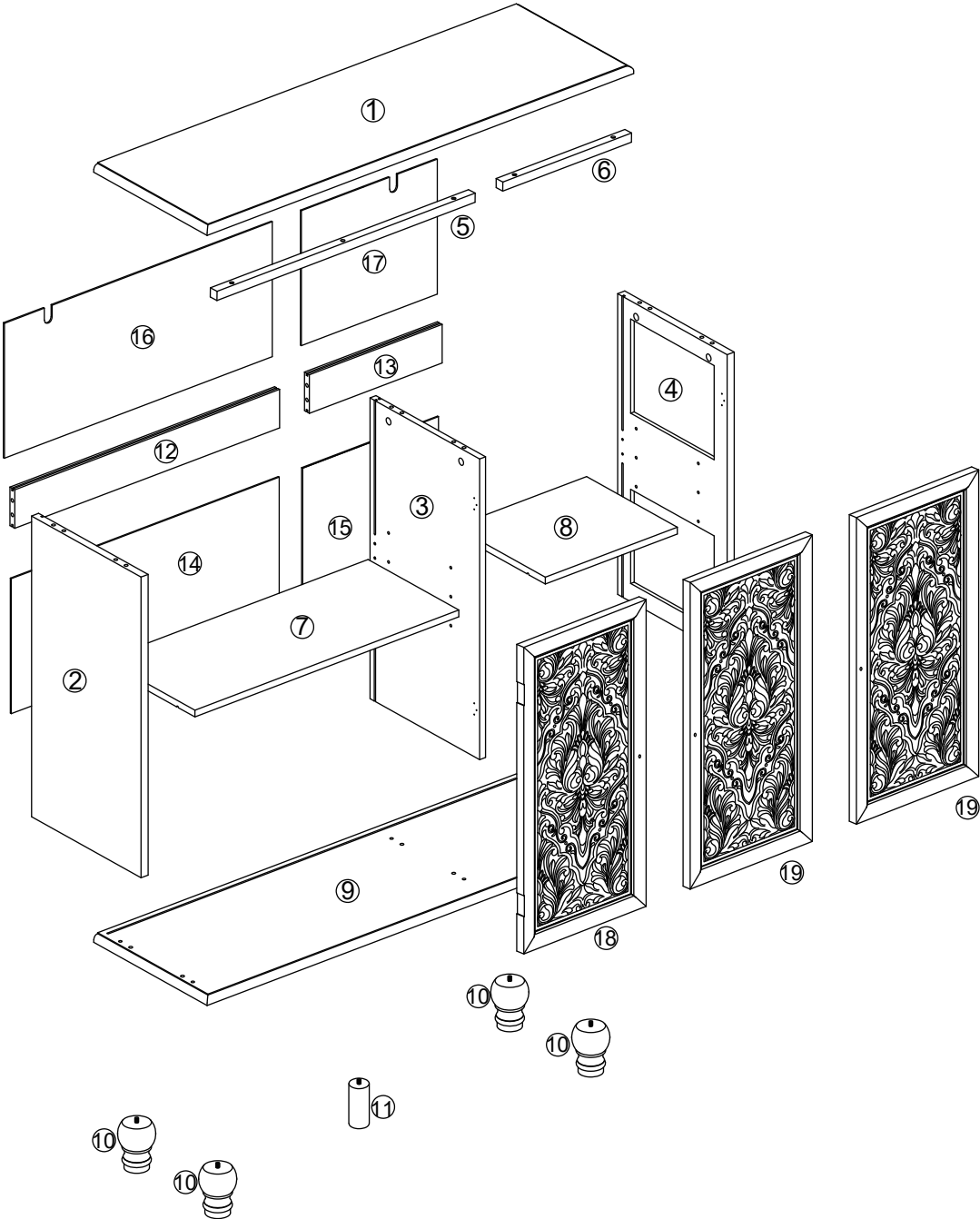
- Open your item in the area you plan to keep it to avoid excessive heavy lifting.
- Identify, sort and count the parts before attempting assembly.
- Back panel must be used to make sure your unit is sturdy.
- Do NOT use harsh chemicals or abrasive cleaners on this item.
- Never push,pull,or drag your furniture.



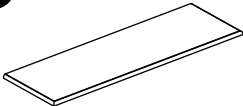



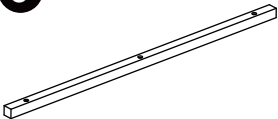
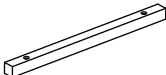
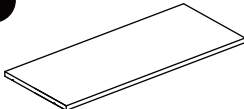
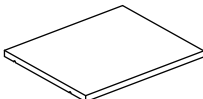
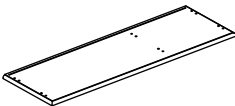
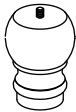
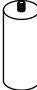
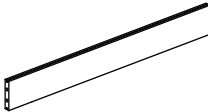

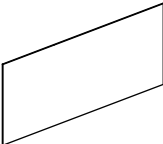
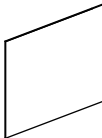
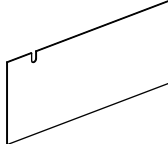
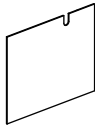


## BEFORE YOU START

- Read through each step carefully and follow the proper order
- Separate and count all your parts and hardware
- Give yourself enough room for the assembly process
- Have the following tools:Flat Head Screwdriver,#2 Phillips Head Screwdriver and Hammer
- Caution: IF using a power drill or power screwdriver for screwing,please be aware to slow down and stop when screw is tight.Failure to do so may result in stripping the screw.

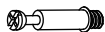


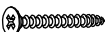














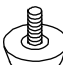

# BOARD IDENTIFICATION



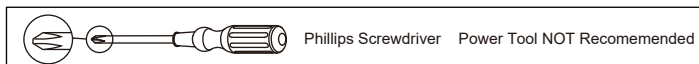
# BOARD IDENTIFICATION

<b>1</b>  1PC	<b>2</b>  1PC	<b>3</b>  1PC	<b>4</b>  1PC
<b>5</b>  1PC	<b>6</b>  1PC	<b>7</b>  1PC	<b>8</b>  1PC
<b>9</b>  1PC	<b>10</b>  4PCS	<b>11</b>  1PC	<b>12</b>  1PC
<b>13</b>  1PC	<b>14</b>  1PC	<b>15</b>  1PC	<b>16</b>  1PC
<b>17</b>  1PC	<b>18</b>  1PC	<b>19</b>  2PCS	

# THE HARDWARE

<b>A</b> x14	<b>B</b> x14	<b>C</b> x12	<b>D</b> x7	<b>E</b> x6
				
Bolt	Bolt	Wood Dowel		Screw
Ø6x35mm	Ø15x9.5mm	Ø8x30mm	Ø4x30mm	Ø7x40mm
<b>F</b> x3	<b>G</b> x3	<b>H</b> x2	<b>I</b> x8	<b>J</b> x6
				
Hold hands	Screw	Screw	Active layer tray	Hinge
	Ø4x22mm	Ø4x14mm		
<b>K</b> x3	<b>L</b> x16	<b>M</b> x16	<b>N</b> x2	<b>O</b> x1
				
Double-holed iron sheet	Back panel buckle	Screw	Anti-tip	Hex Key
		Ø3x16mm		4mm
<b>P</b> x2	<b>Q</b> x48	<b>R</b> x3	<b>S</b> x1	<b>T</b> x4
				
Plastic expansion	Screw	Magnetic	Adjustable leveling feet	Felt pad
	Ø3x14mm			

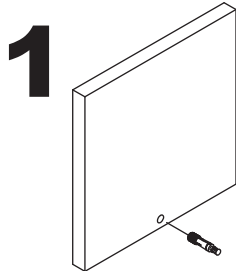
## IMPORTANT :



1. Do not tighten bolts / screws completely until all bolts / screws are lined up and inserted into holes.
2. Do not over tighten screws and bolts to avoid stripping.
3. Please use hand tools to assemble this product. Do not use power tools.

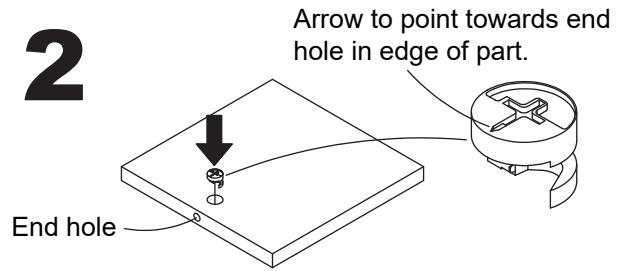
# CAM LOCK FASTENING SYSTEM

This Cam Lock Fastening System will be used throughout the assembly process.



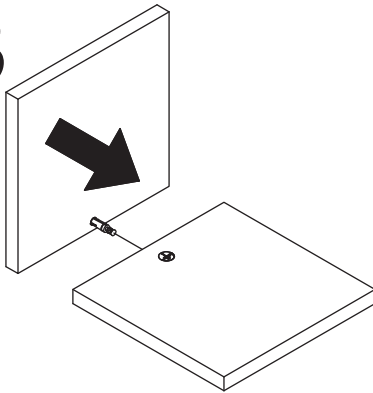
1 Press CAM BOLT into hole.

2



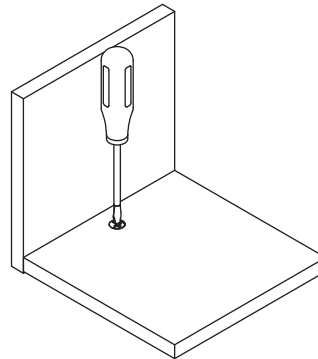
Press CAM LOCK into hole.

3

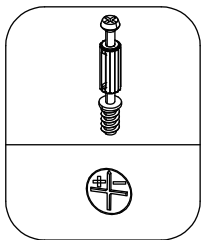


Press parts together so CAM BOLT inserts into edge hole.

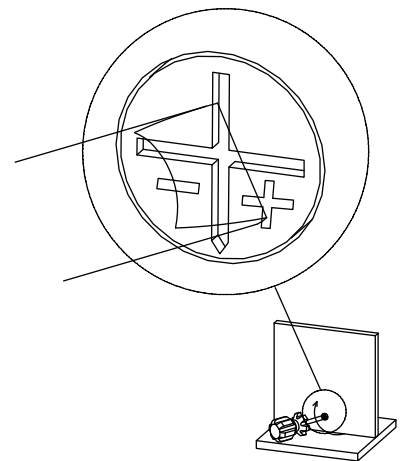
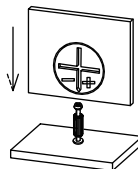
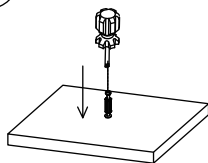
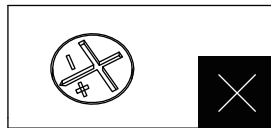
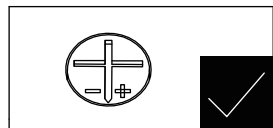
4



Using a screwdriver, turn the CAM LOCK clockwise to lock the CAM LOCK and CAM BOLT into their holes and fastening parts together.

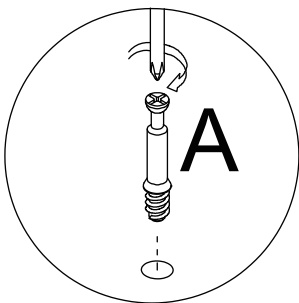
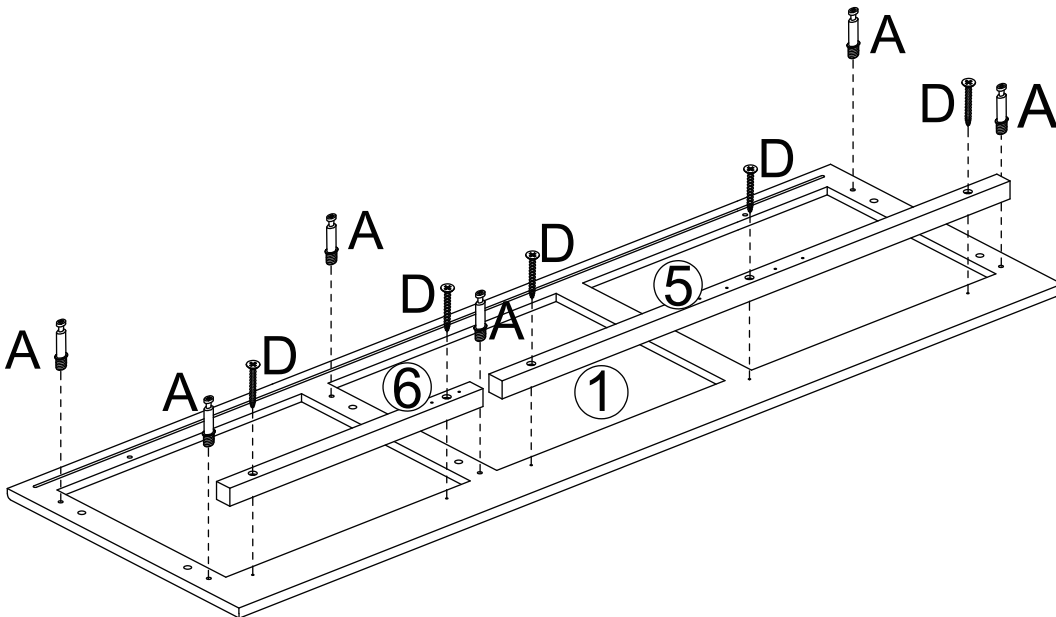
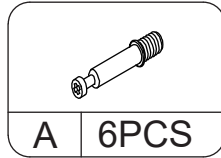
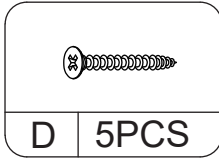


Notice: Proper orientation of CAM LOCK



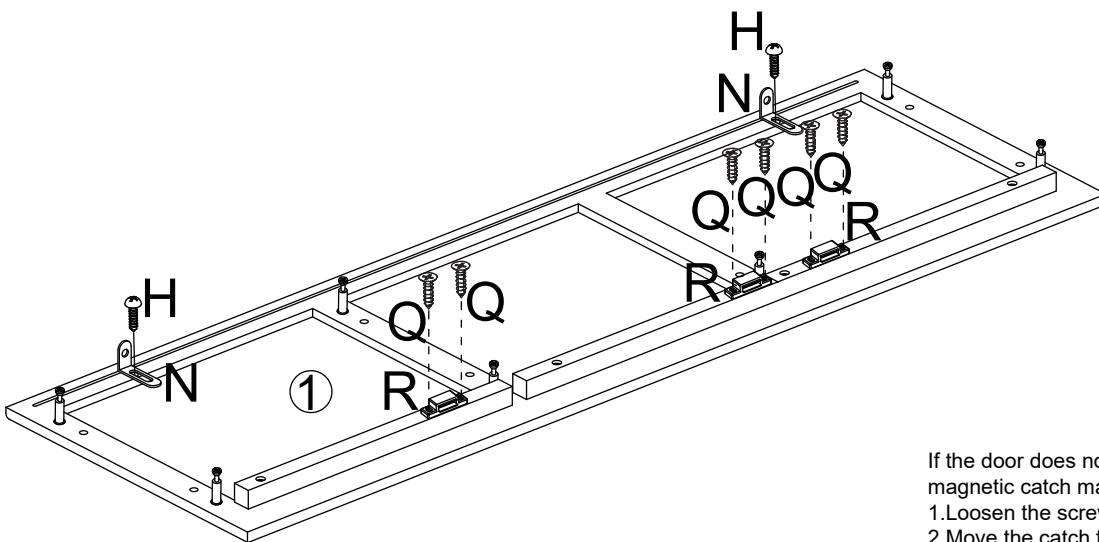
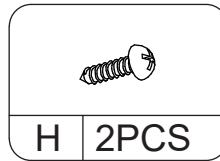
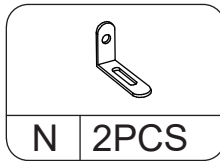
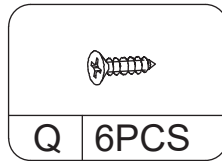
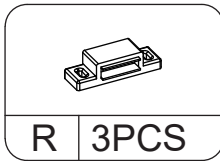
# INSTALLATION STEPS

## STEP 1



# INSTALLATION STEPS

## STEP 2

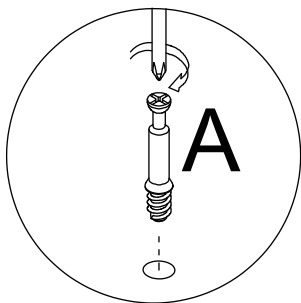
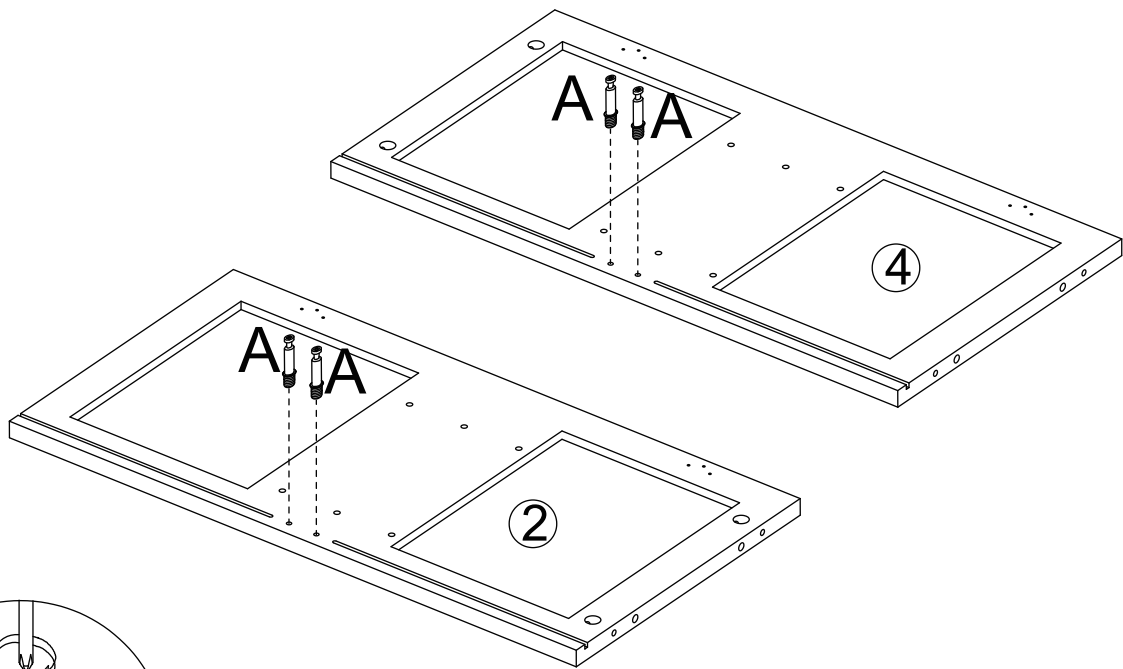
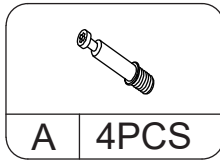


If the door does not close properly, the magnetic catch may need repositioning:

1. Loosen the screws on the magnetic catch.
2. Move the catch forward using the elongated mounting slots.
3. Retighten the screws to secure.

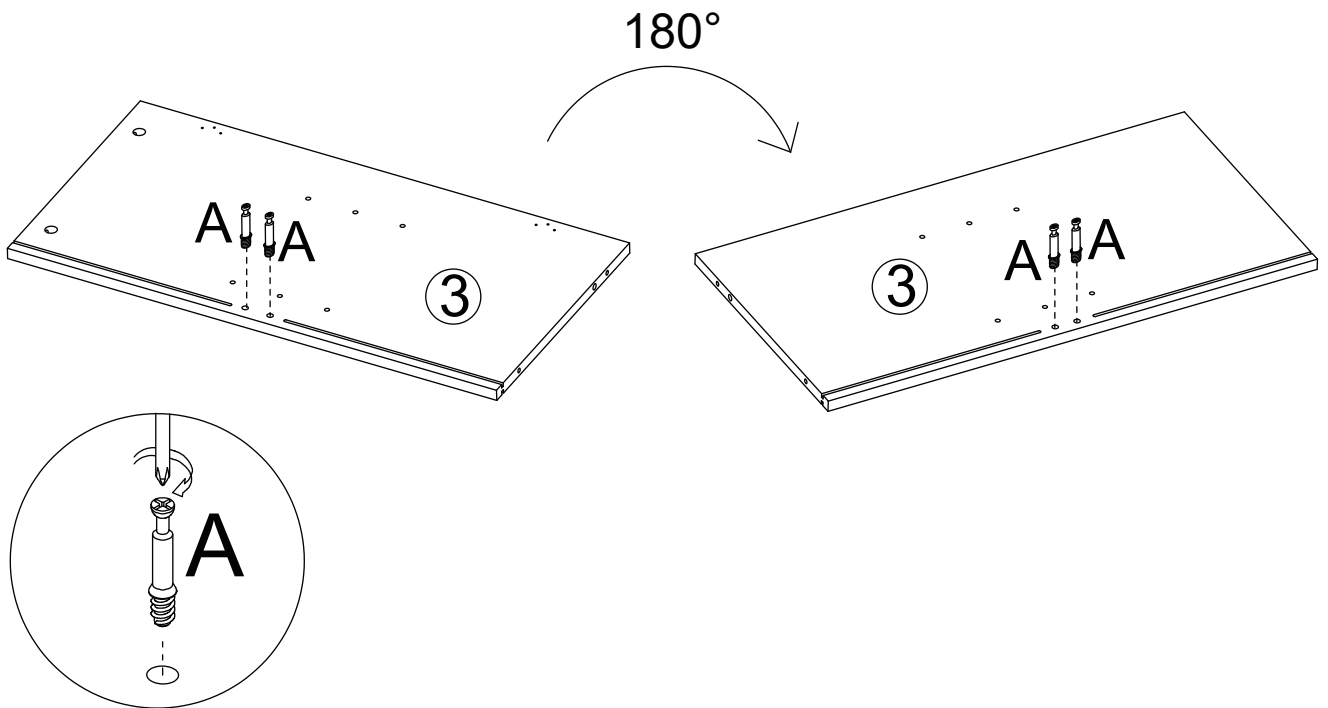
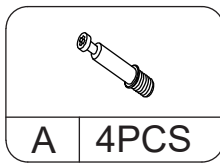
# INSTALLATION STEPS

## STEP 3



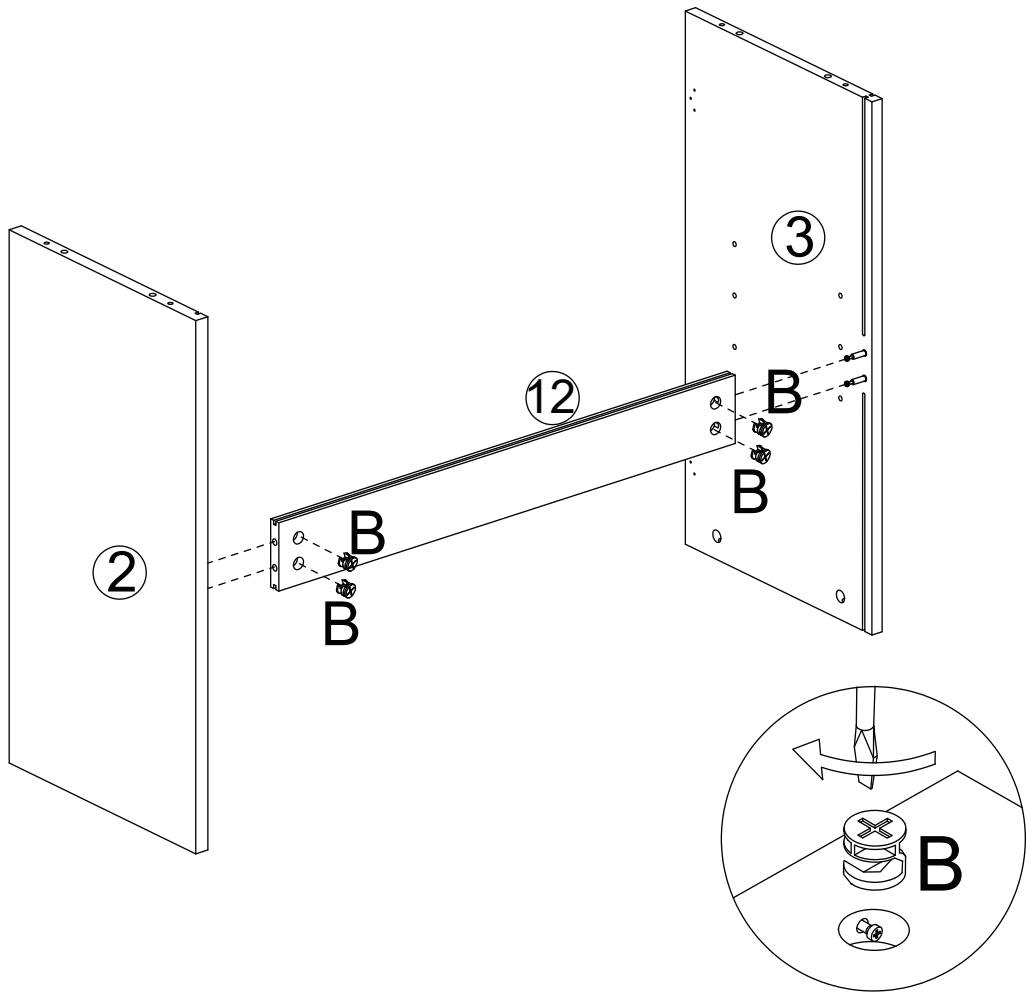
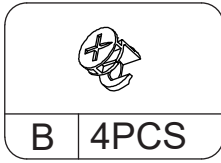
# INSTALLATION STEPS

## STEP 4




# INSTALLATION STEPS

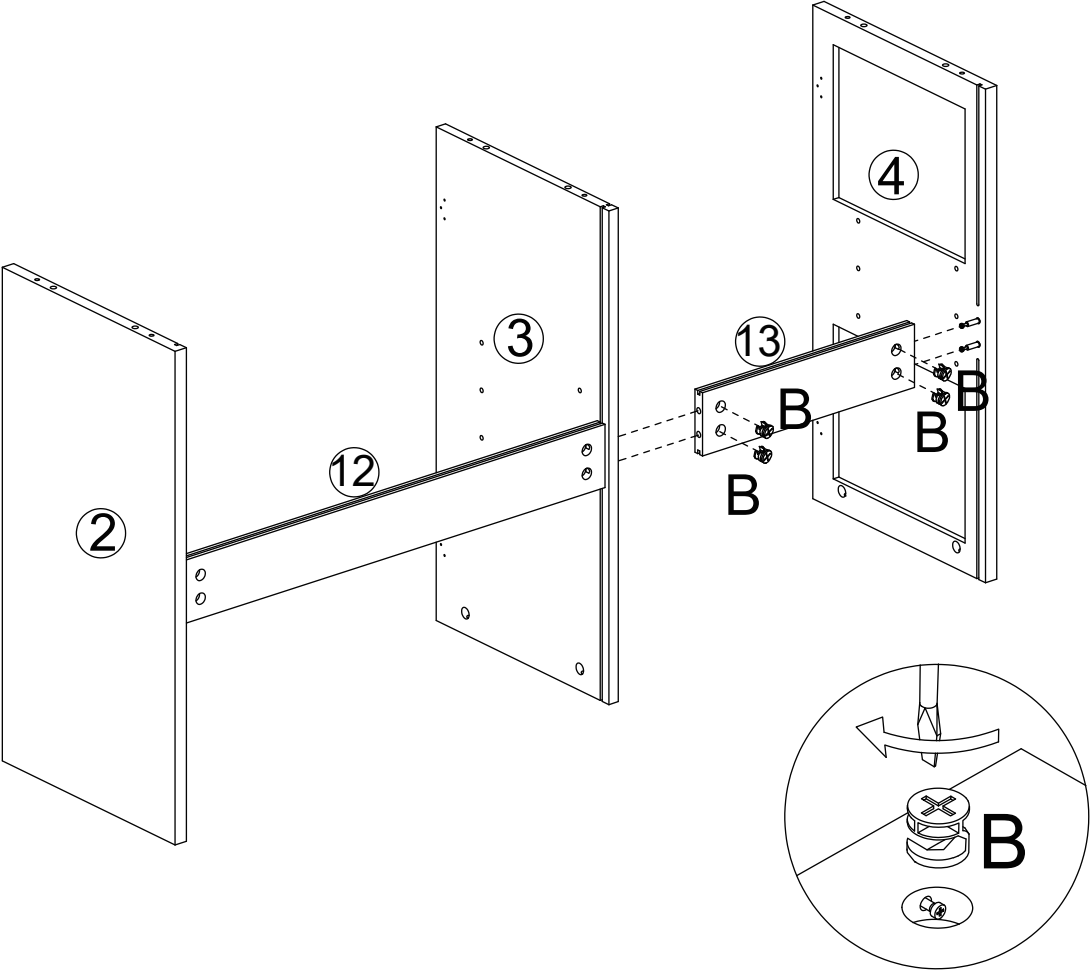
## STEP 5



# INSTALLATION STEPS

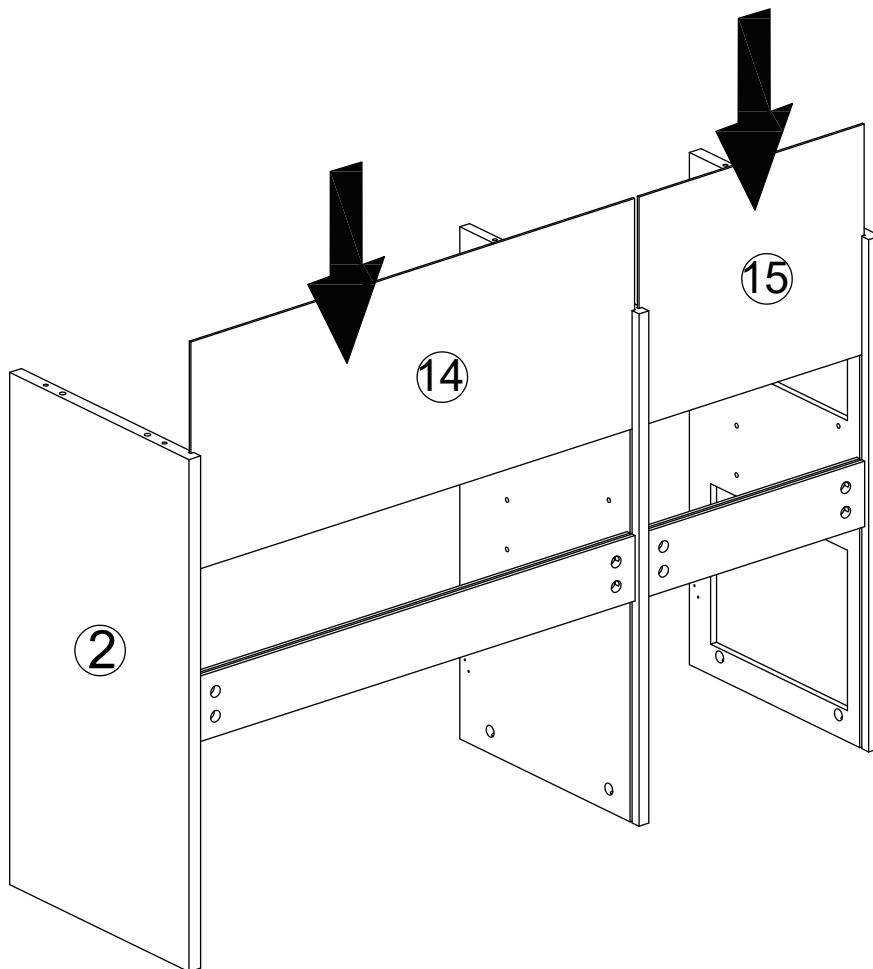
## STEP 6

	
B	4PCS



## INSTALLATION STEPS

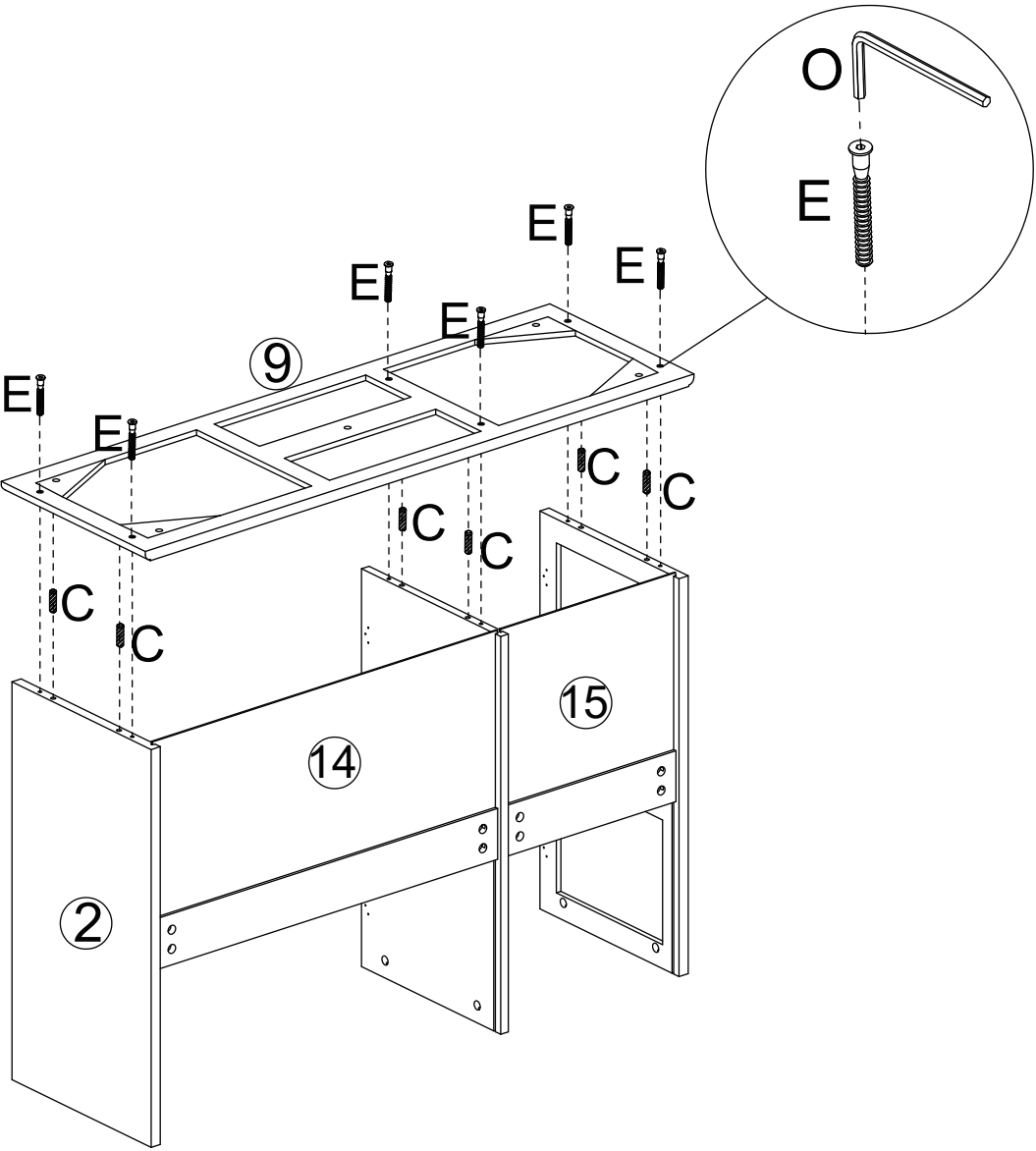
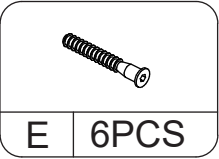
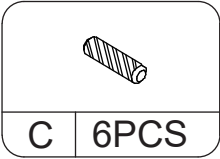
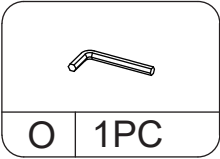
### STEP 7



# INSTALLATION STEPS

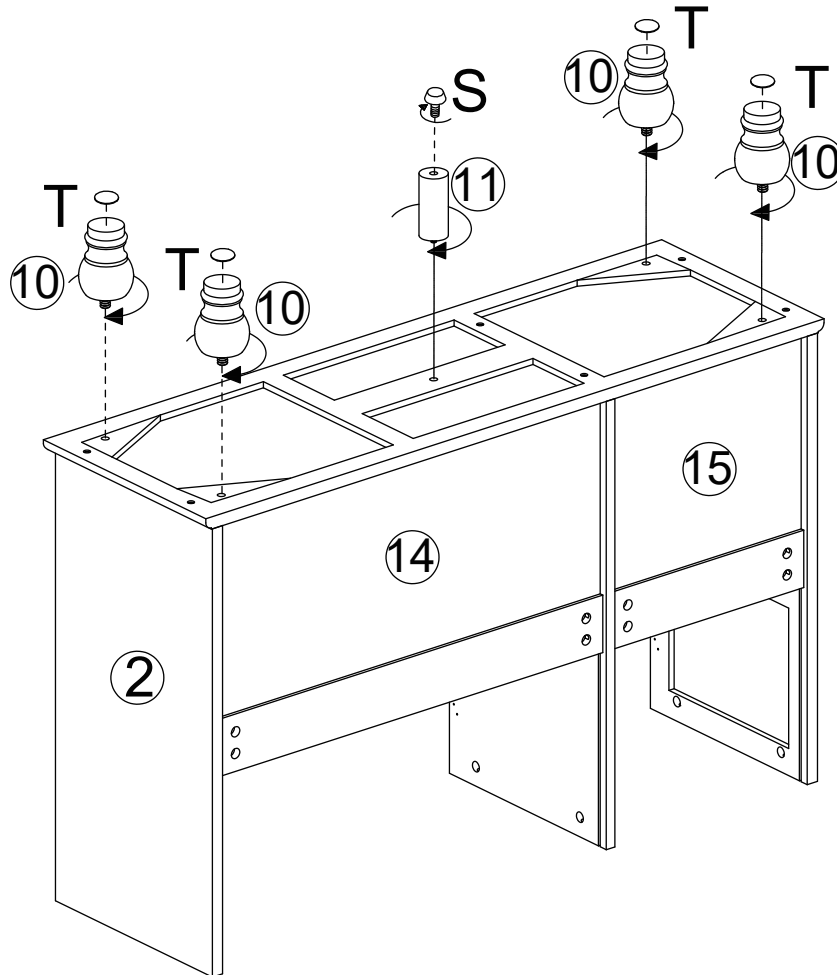
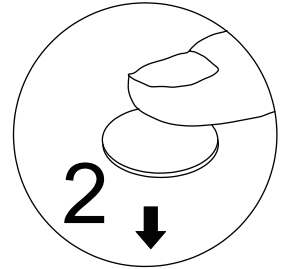
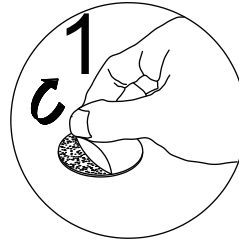
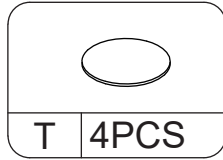
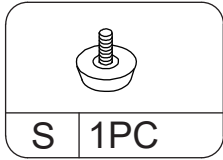


## STEP 8



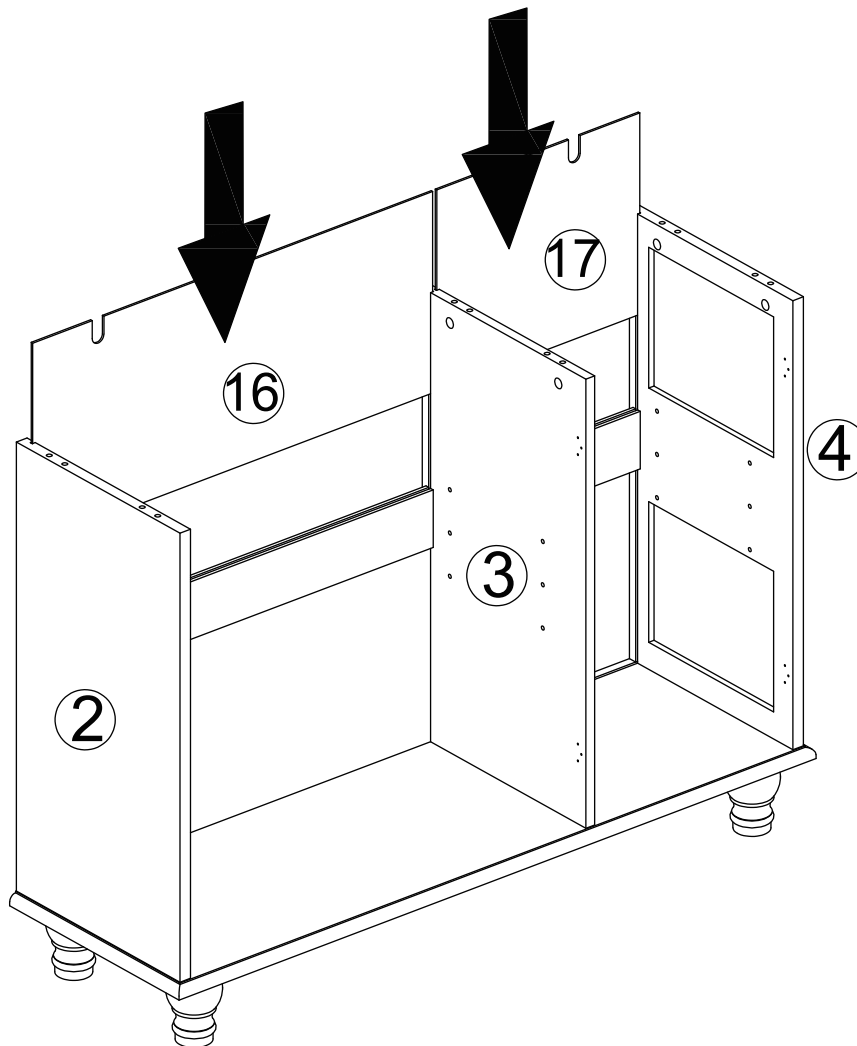
# INSTALLATION STEPS

## STEP 9



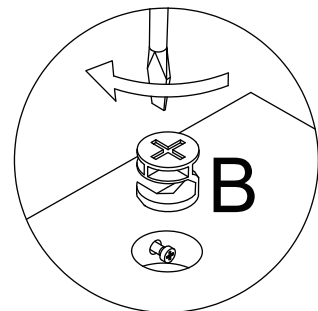
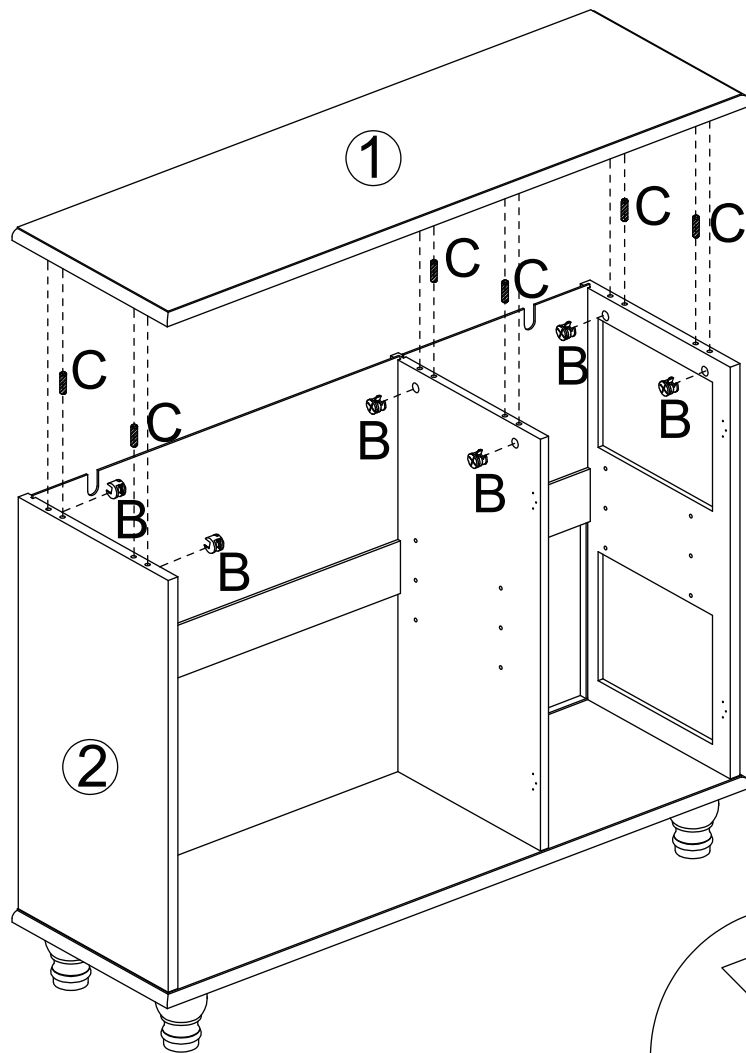
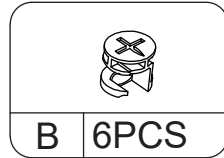
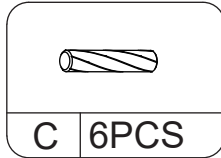
## INSTALLATION STEPS

### STEP 10



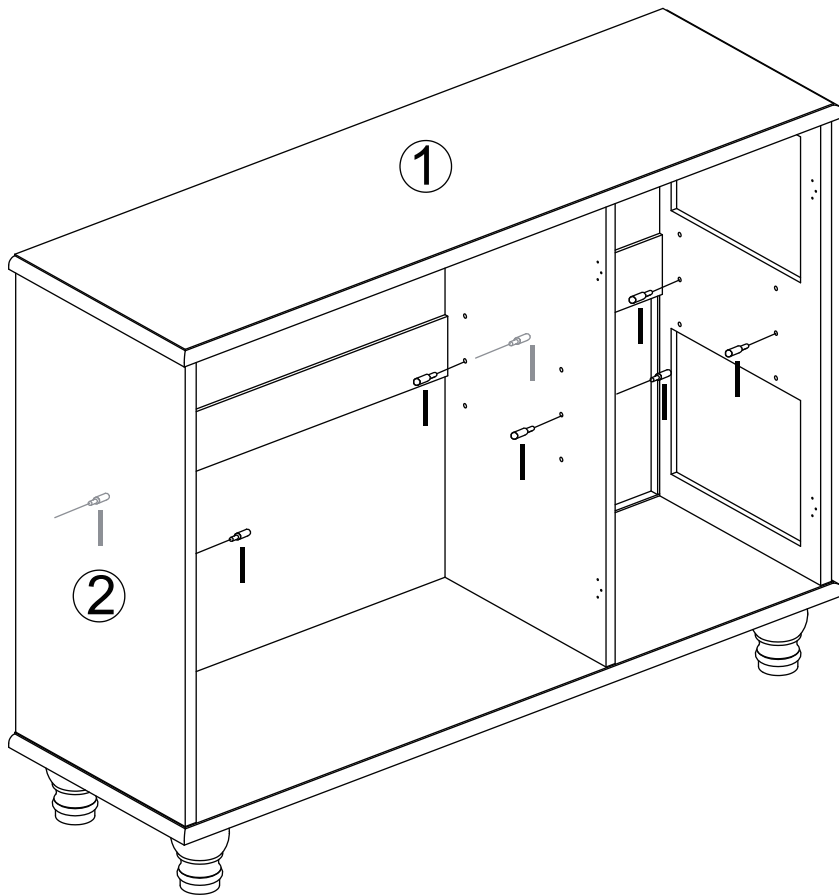
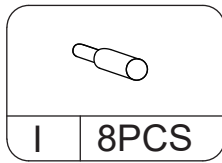
# INSTALLATION STEPS

## STEP 11



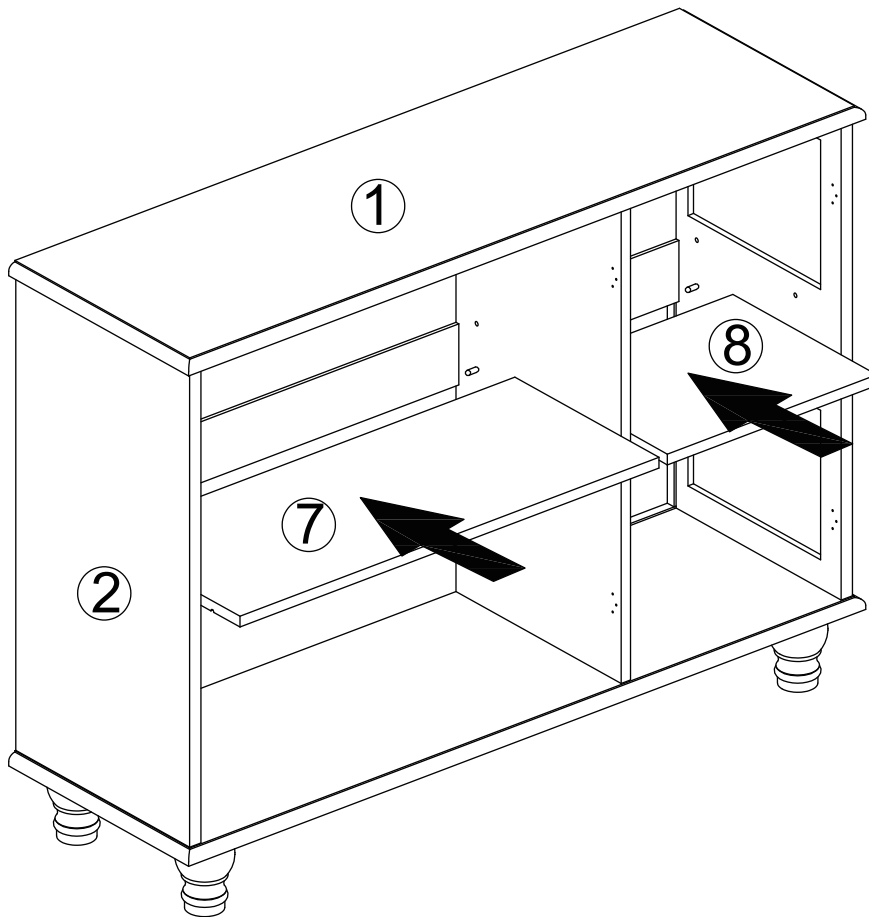
# INSTALLATION STEPS

## STEP 12



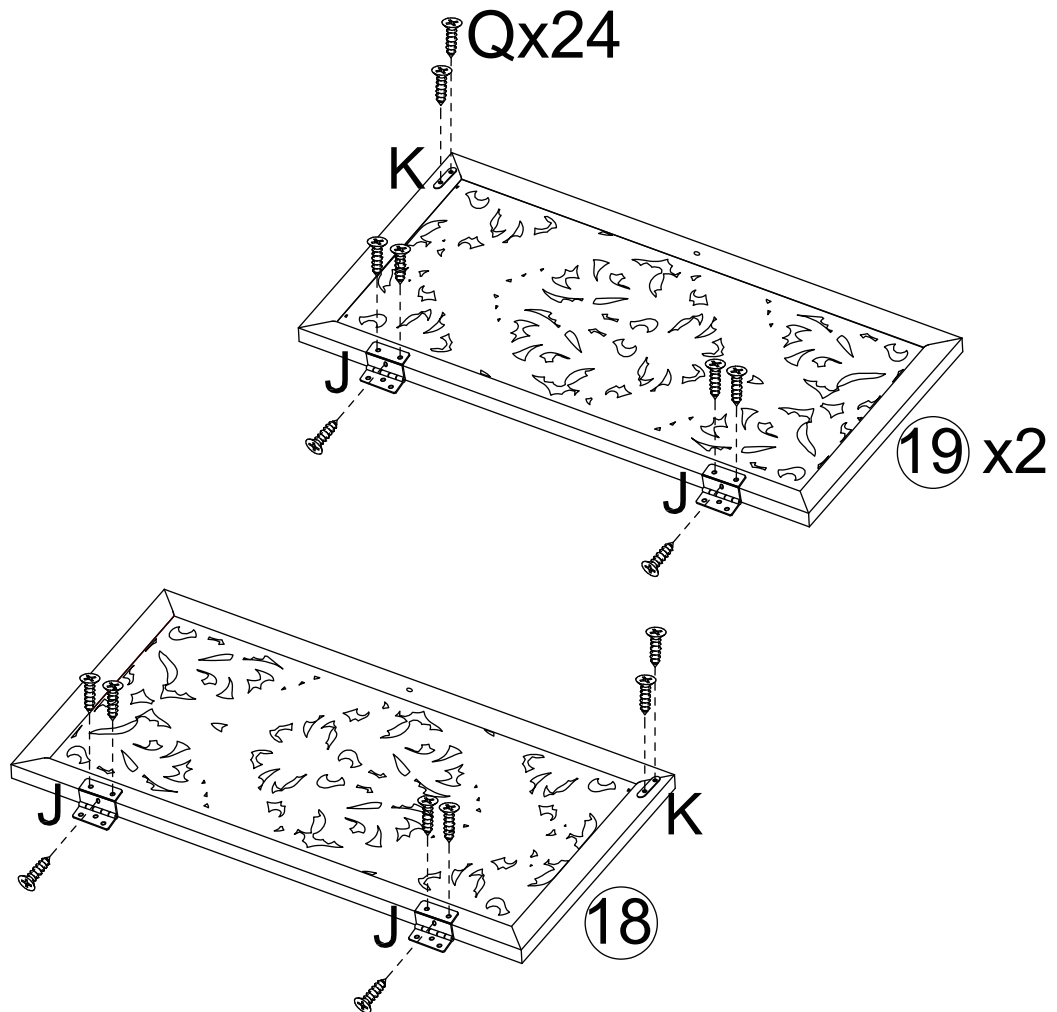
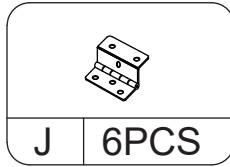
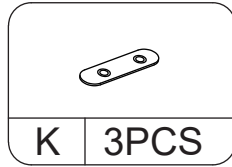
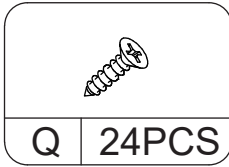
## INSTALLATION STEPS

### STEP 13



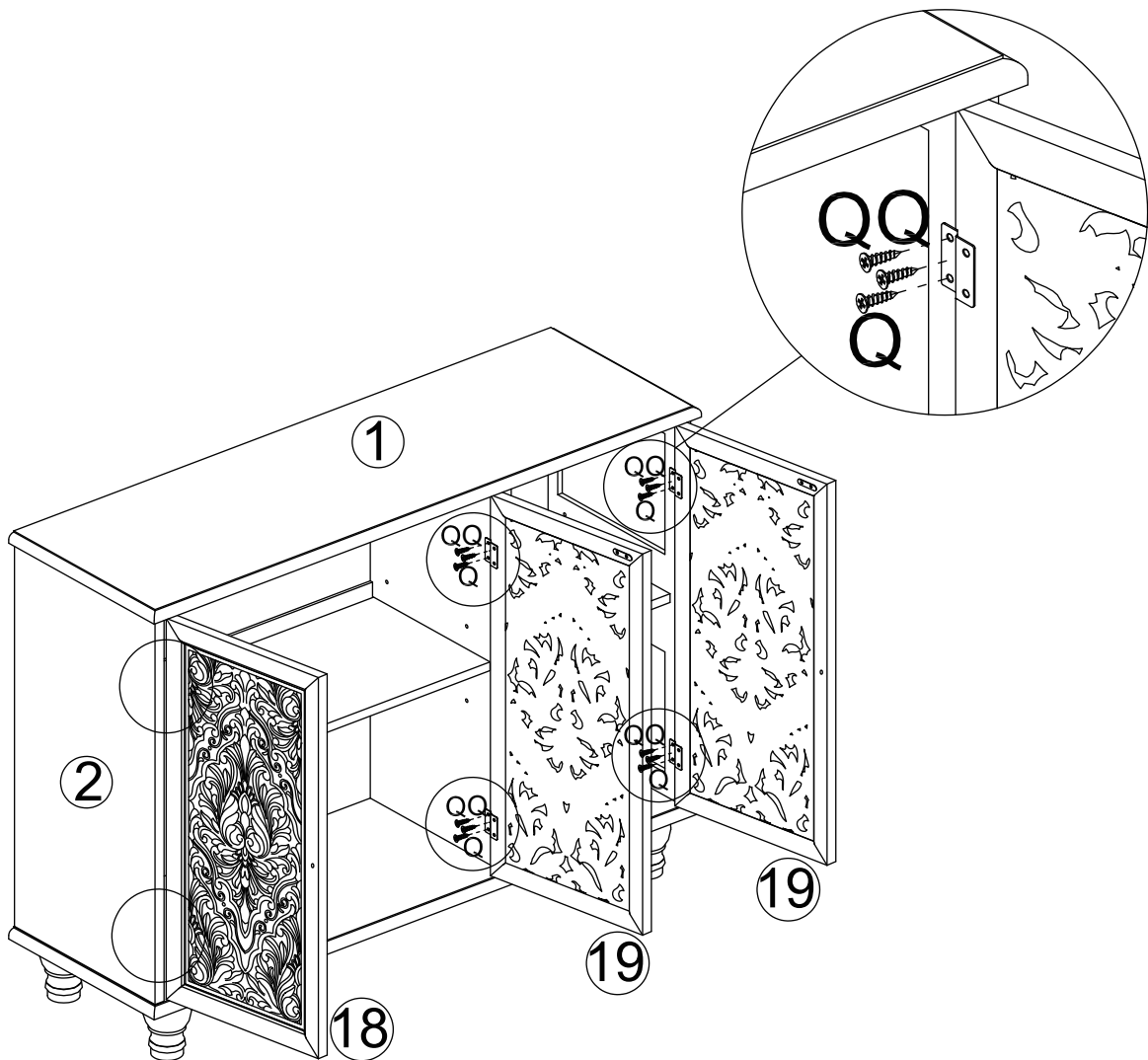
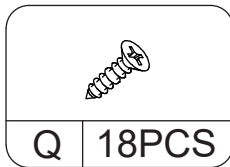
# INSTALLATION STEPS

## STEP 14



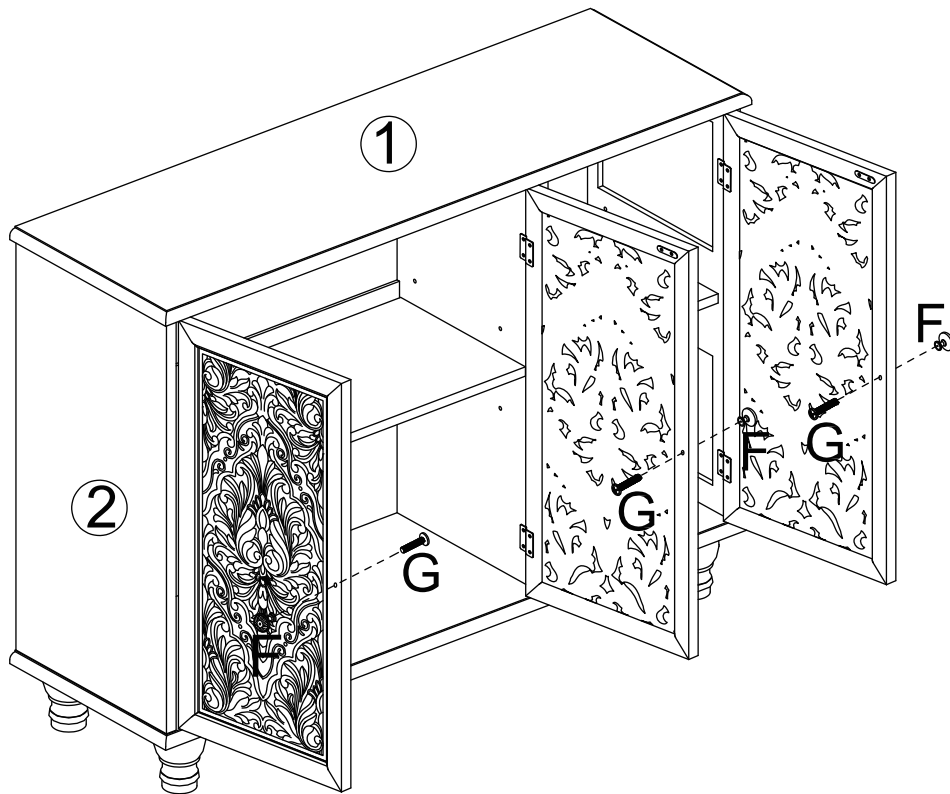
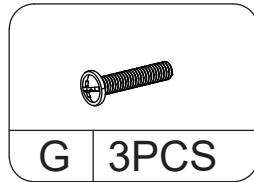
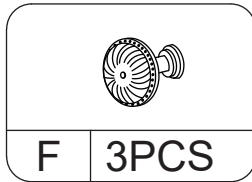
# INSTALLATION STEPS

## STEP 15



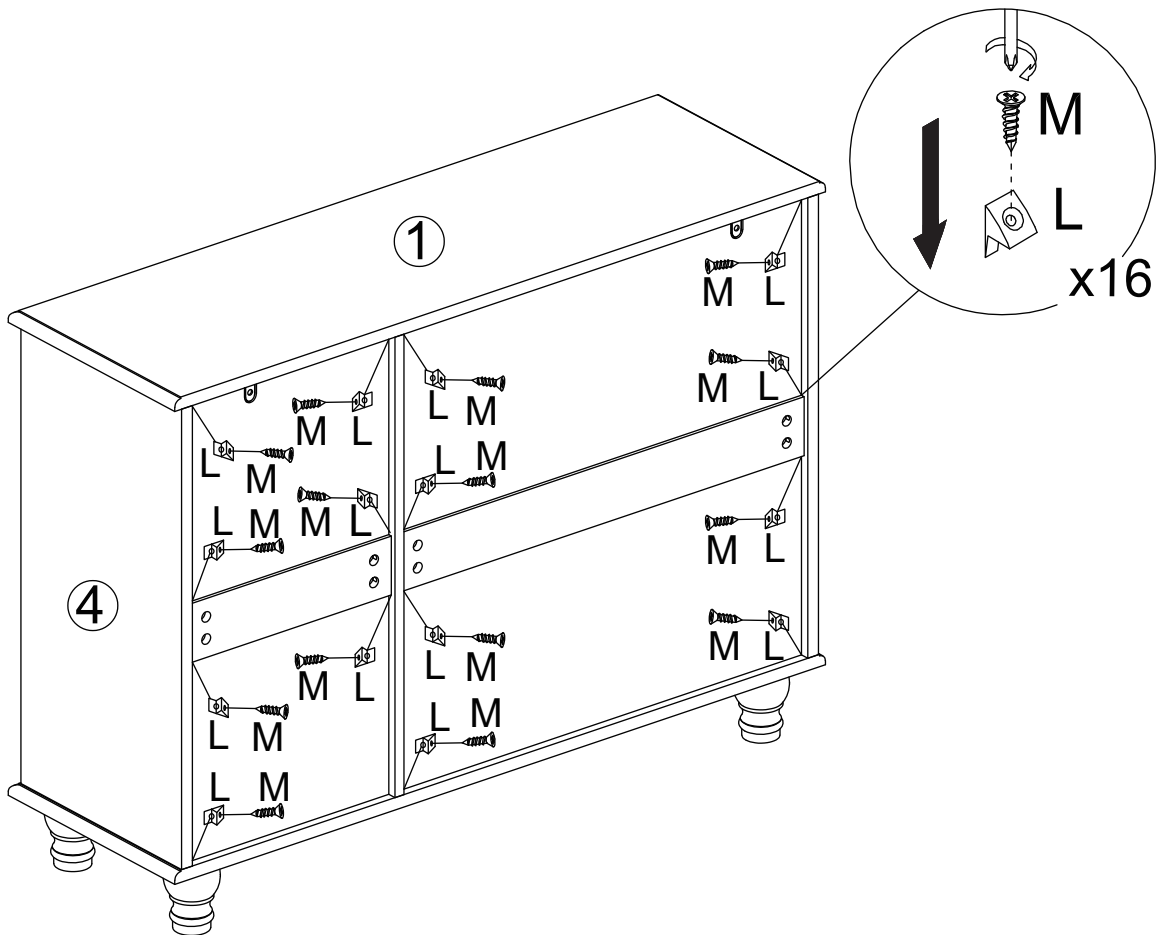
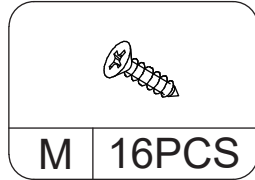
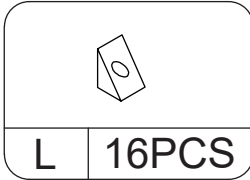
## INSTALLATION STEPS

### STEP 16



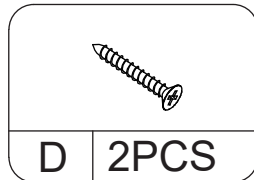
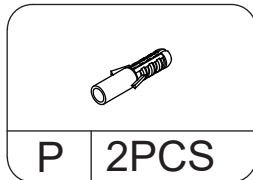
# INSTALLATION STEPS

## STEP 17



# INSTALLATION STEPS

## STEP 18



Pre-drilled hole at wall

