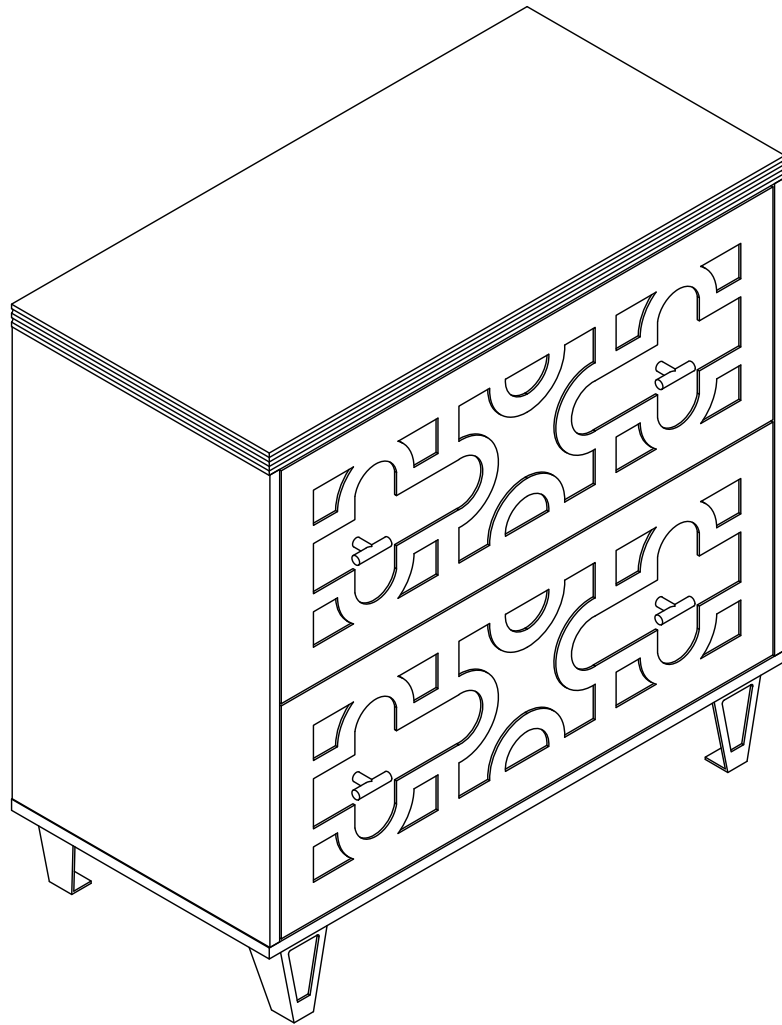


Assembly Instructions



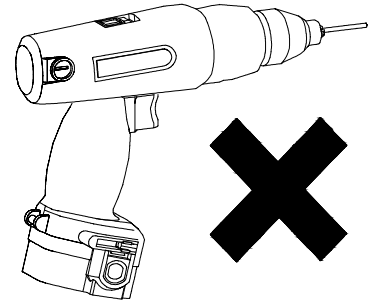
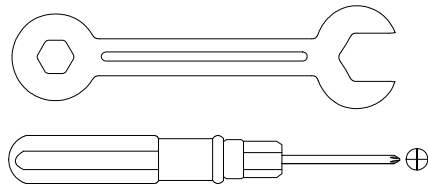
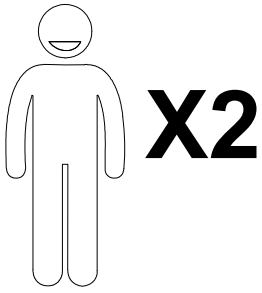
Contact Us

We're here to help you.

Your satisfaction is our top priority. If you encounter any issues with this product, such as missing or damaged parts, we're here to help. Please retain the original packaging and take photos of the packaging and the product, then contact us as soon as possible.

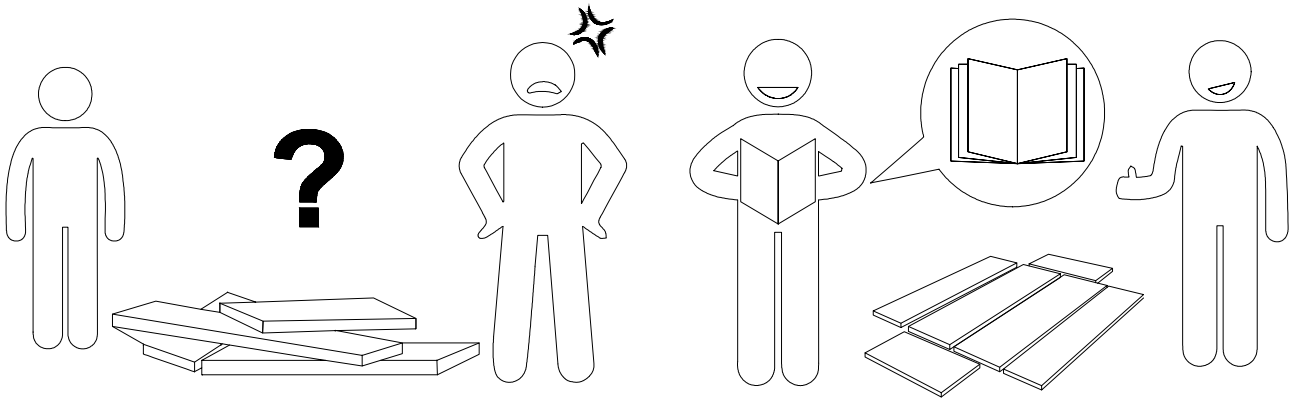
Warm Tips

1. Carefully read these instructions and keep them for future reference.
2. Check the parts list and confirm everything's there before starting assembly.
3. When assembling, put all parts on a soft, smooth surface like a carpet to avoid scratches.
4. Don't fully tighten screws until all parts are confirmed in place to avoid misalignment.



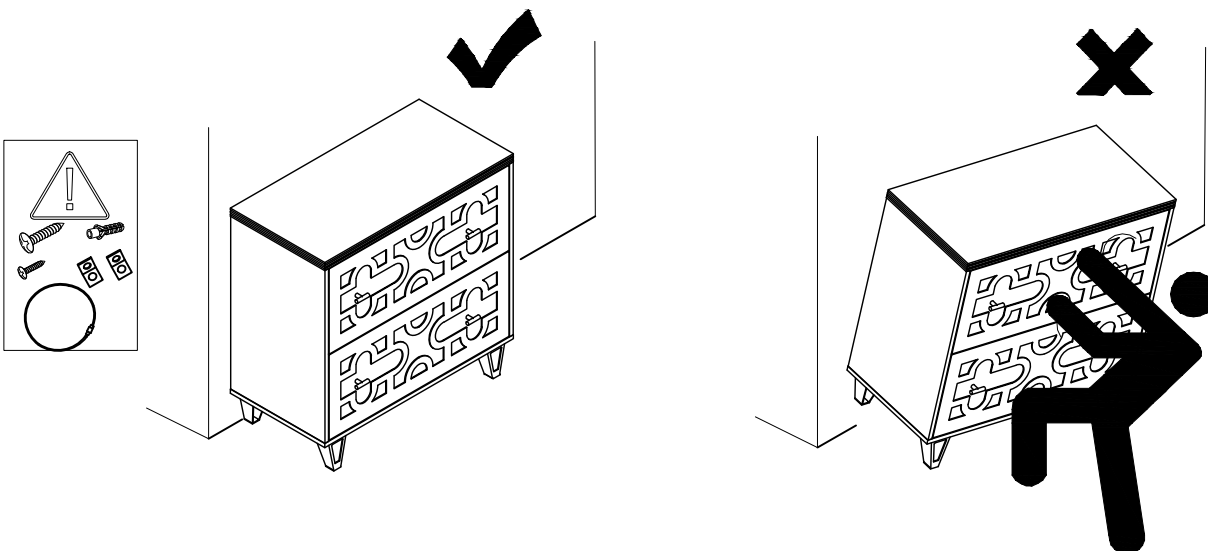
We recommend using hand tools for assembly.

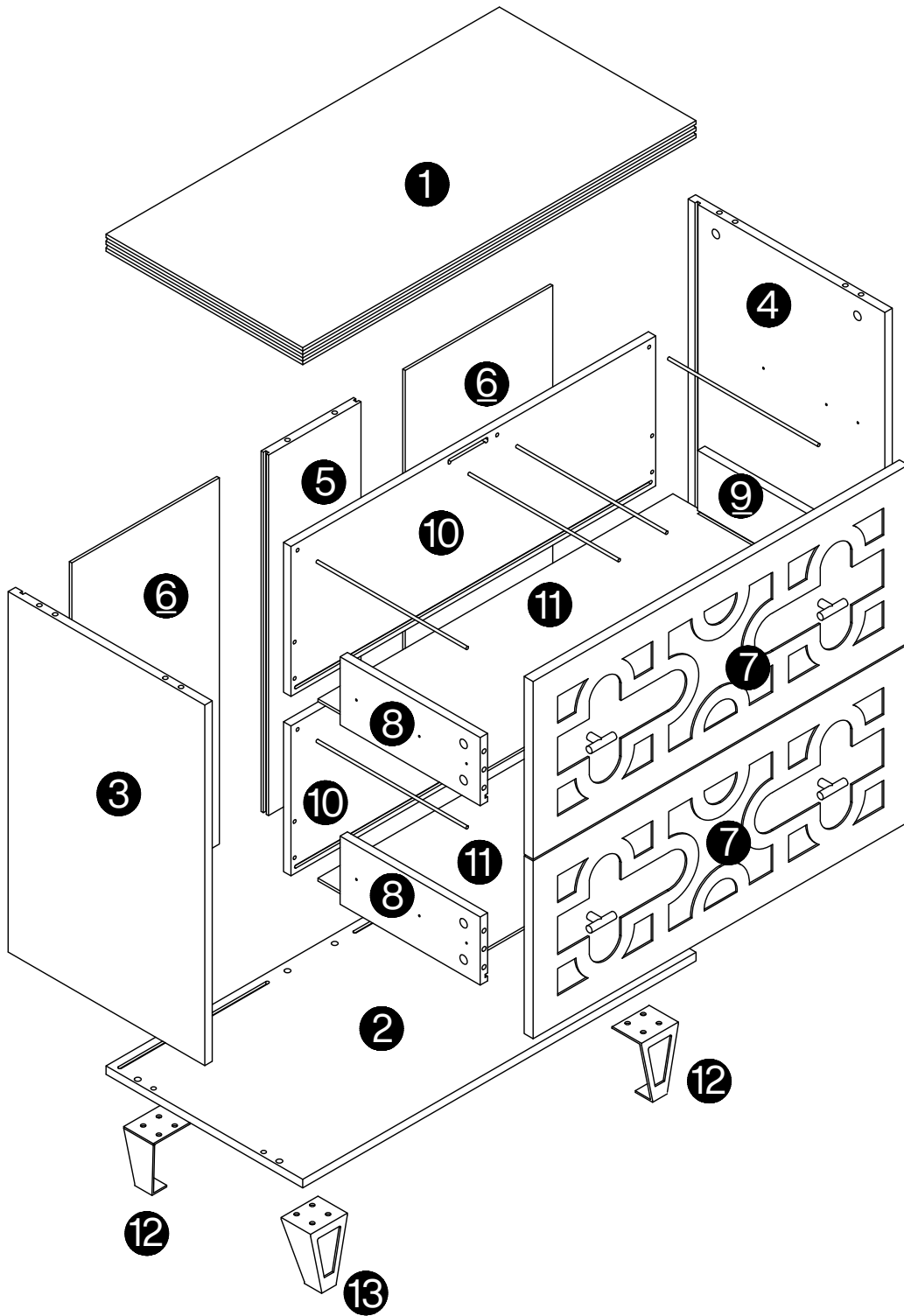
If an electric screwdriver is used, reduce power and torque to avoid damage to the product.



Install the Anti-Tip Straps

Using the anti-tip straps can reduce the risk of tipping over, but can not eliminate it.

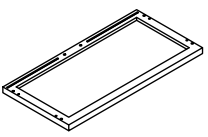
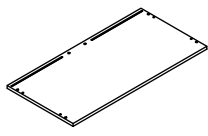
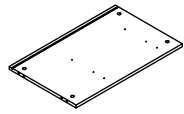
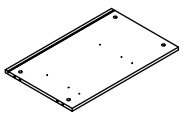
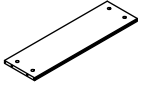
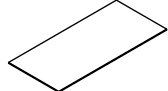
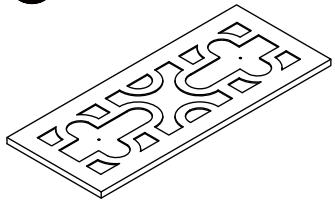
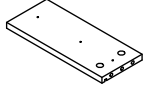
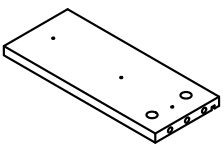
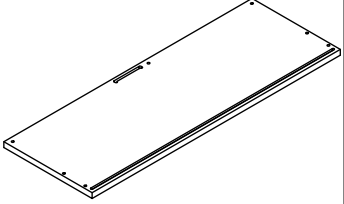
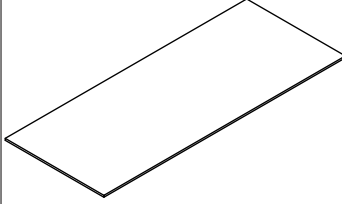
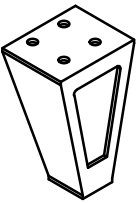
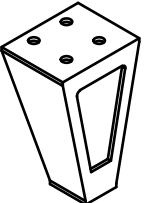




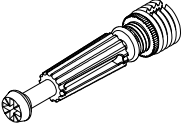
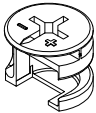
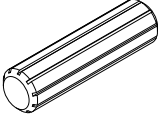
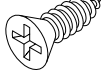


⚠ Caution

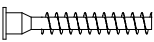
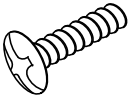
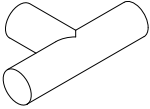
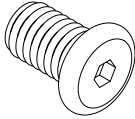


Make sure all parts are included. Most board parts are labeled or stamped on the raw edge. Contact us for a free replacement if you encounter any damaged or missing parts.



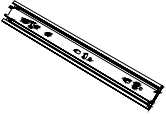
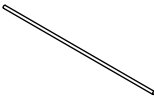
Parts List

<p>1</p>  <p>1 pc</p>	<p>2</p>  <p>1 pc</p>	<p>3</p>  <p>1 pc</p>	<p>4</p>  <p>1 pc</p>
<p>5</p>  <p>1 pc</p>	<p>6</p>  <p>2 pcs</p>	<p>7</p>  <p>2 pcs</p>	<p>8</p>  <p>2 pcs</p>
<p>9</p>  <p>2 pcs</p>	<p>10</p>  <p>2 pcs</p>	<p>11</p>  <p>2 pcs</p>	<p>12</p>  <p>2 pcs</p>
<p>13</p>  <p>2 pcs</p>			

Hardware List

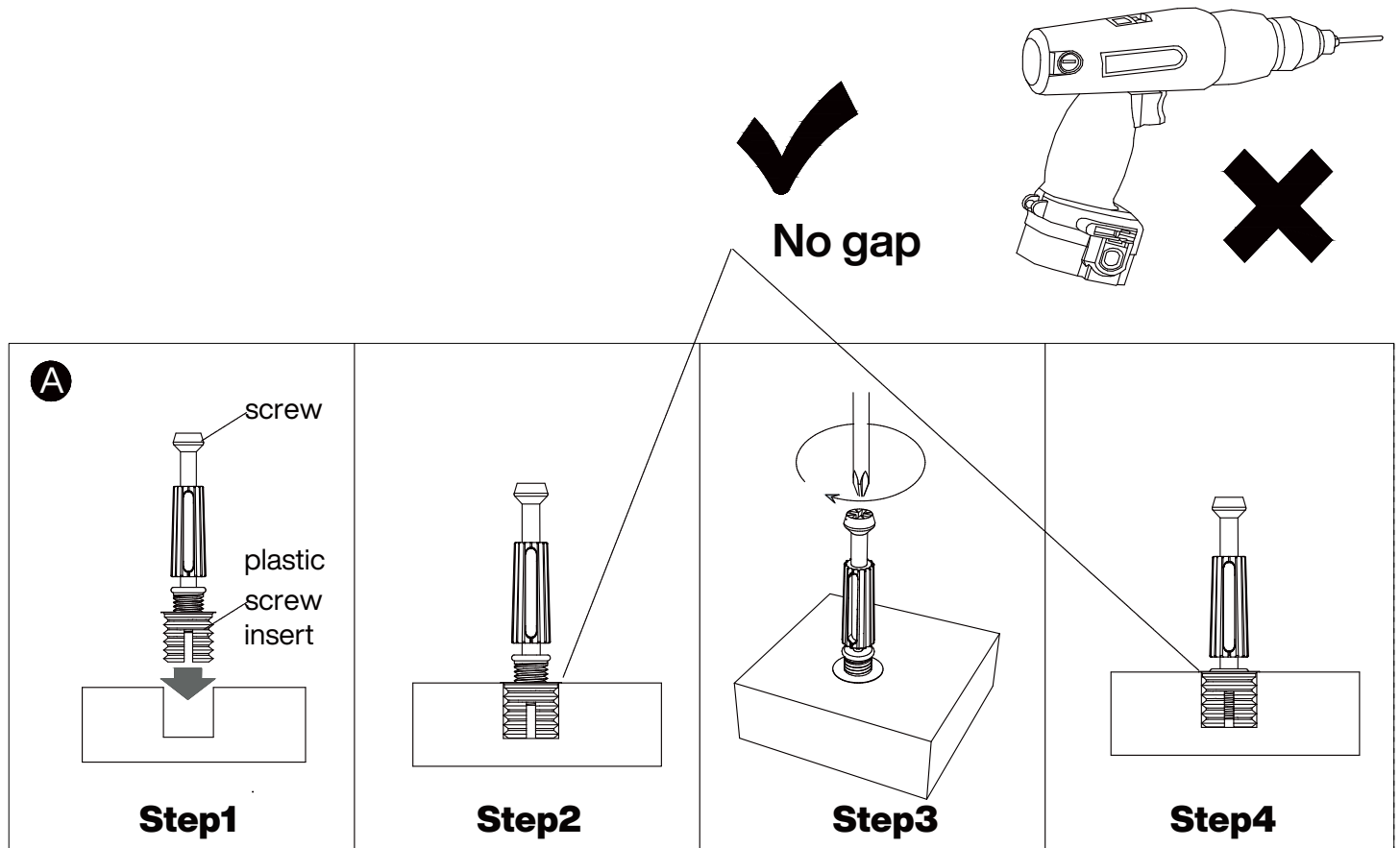
A	B	C	D	E	F
					
Ø6x40mm	Ø15x12mm	Ø8x30mm	Ø3.5x14mm	M4x65x30mm	Ø20x6mm
21 pcs	21 pcs	12 pcs	25 pcs	1 pc	4 pcs

G	H	I	J	K	L
					
Ø5x40mm	M4x23mm	50x30x12mm	M6x12mm	17x16x10.5mm	Ø3x18mm
9 pcs	4 pcs	4 pcs	17 pcs	13 pcs	13 pcs

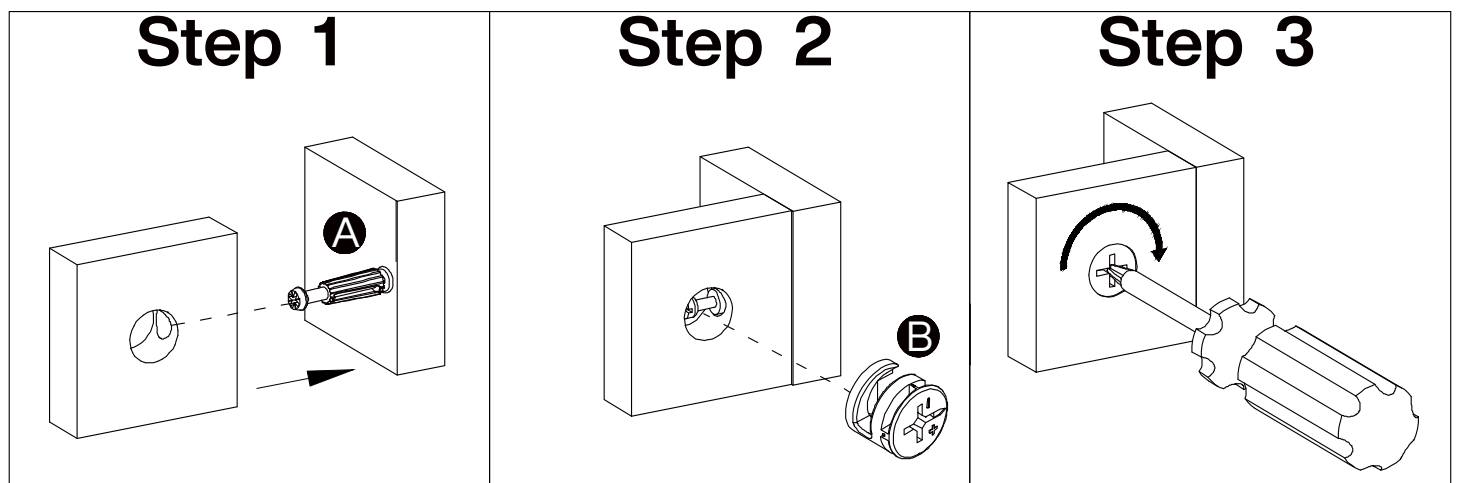
M	N	O	P		
					
M3x65x30mm		290mm	Ø5x300mm		
1 pc	1 pc	4 pcs	8 pcs		

Installation of Cams and Pins

Step 1-2: Align the plastic part with the mounting hole and press it in. If you can't press it in, loosen the screw counter clockwise or completely remove the screw from the plastic part and try again.
Step 3-4: After pressing the plastic part into place, use a screwdriver to tighten the screw clockwise.



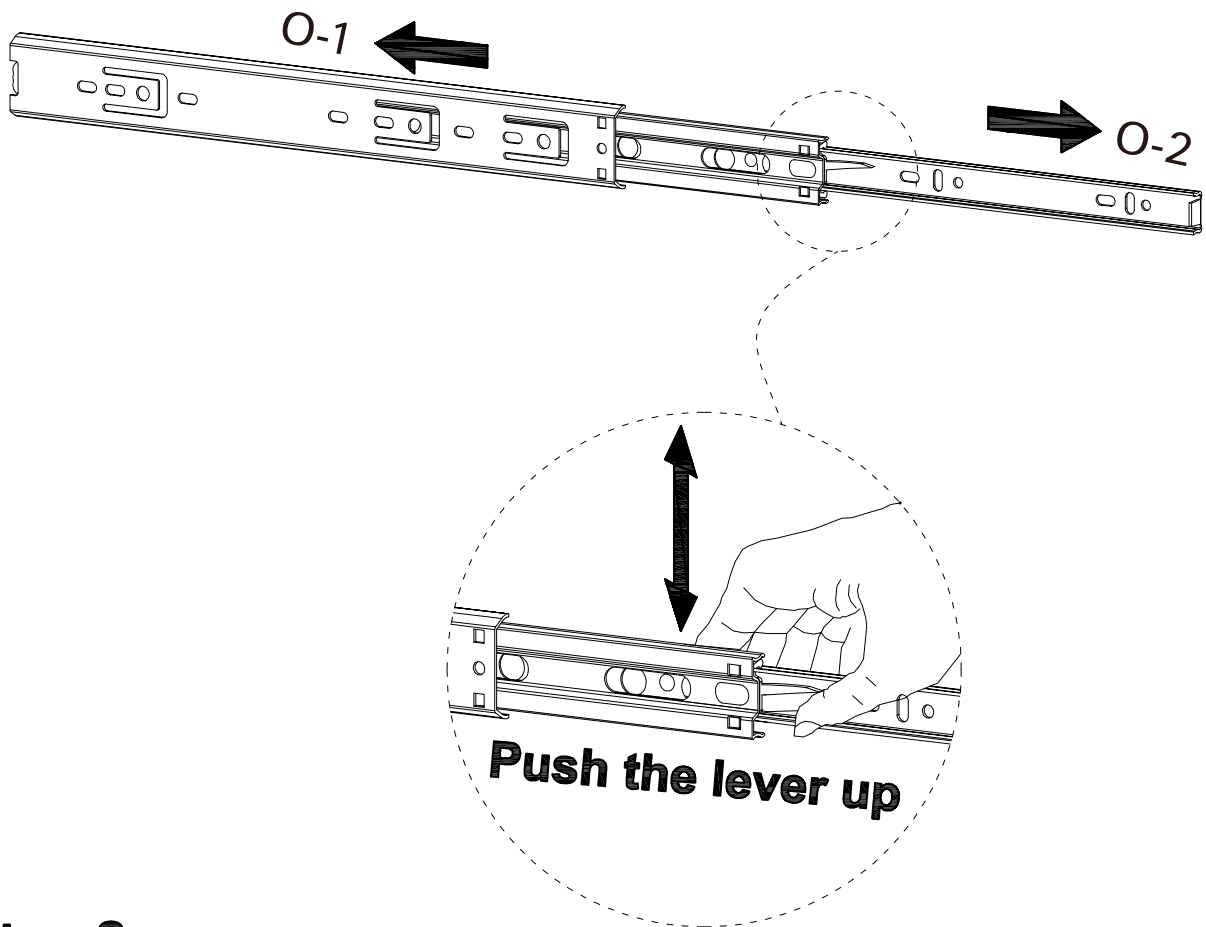
Screw the pin into the hole. Set the cams correctly by aligning the head of the cams with the lock pins. Lock the cam by turning the cam head with a screwdriver until it is tightened. Please do not use an electric screwdriver to assemble the unit.



Please split component "O" into "O-1" and "O-2" before assembling the slide and then proceed to the next step of assembly

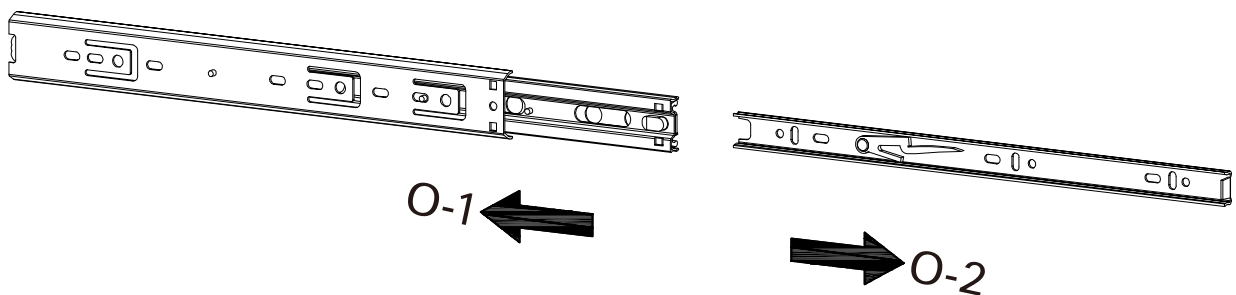
Step 1

Pull apart component "O" to each side, and then gently push up the lever of component "O-2"

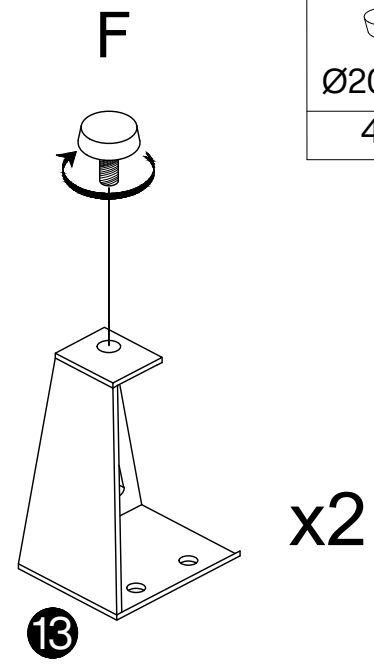
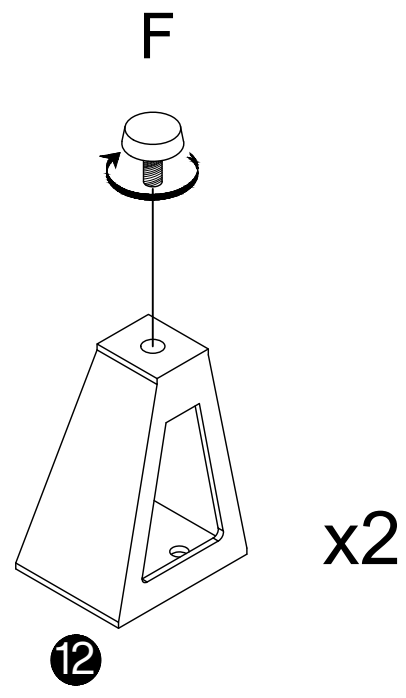



Step 2

Split component "O-1" and "O-2"



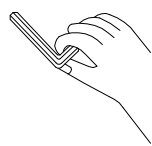
1





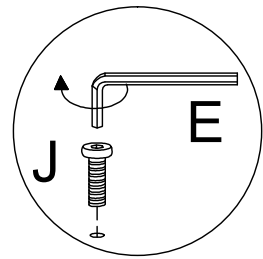
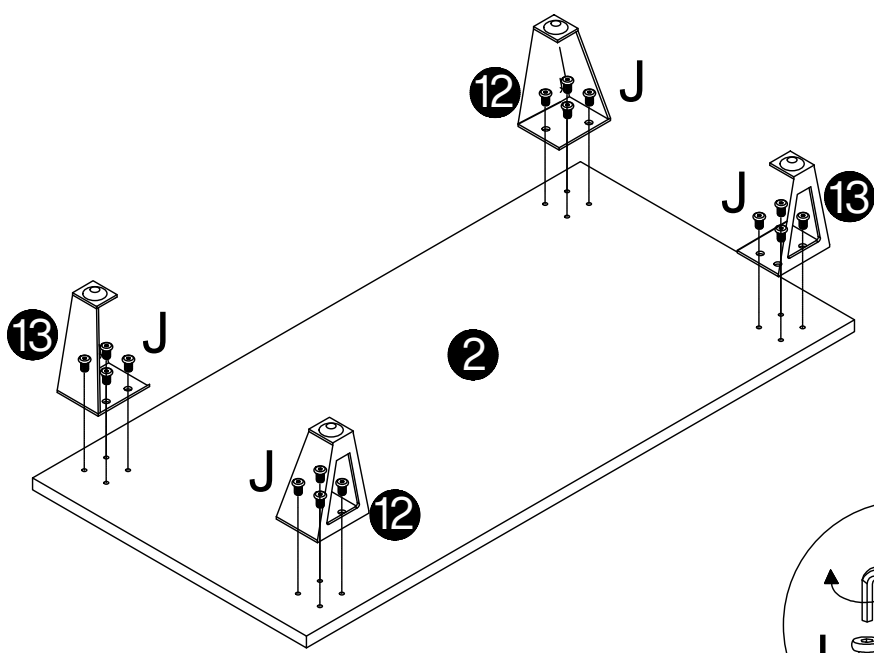
F

Ø20x6mm
4 pcs

2

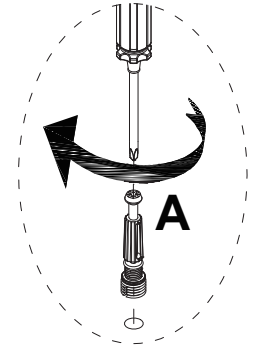
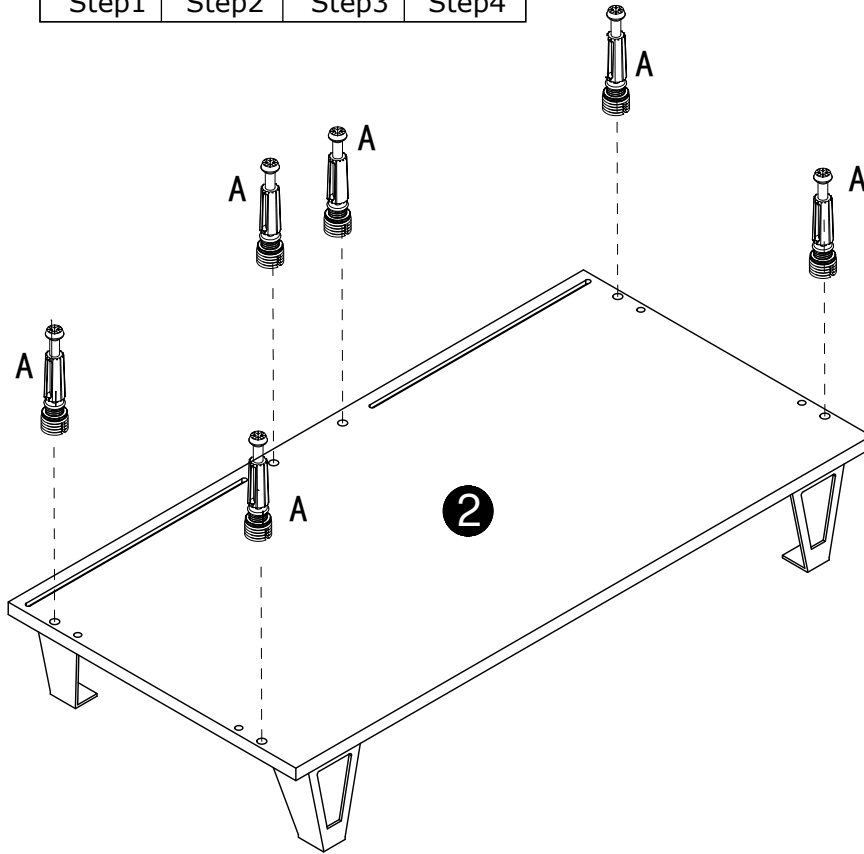
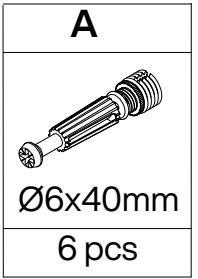
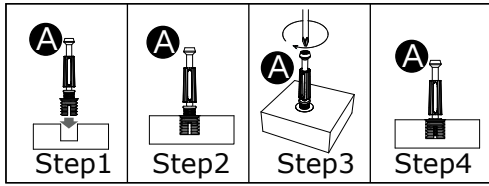
screw down



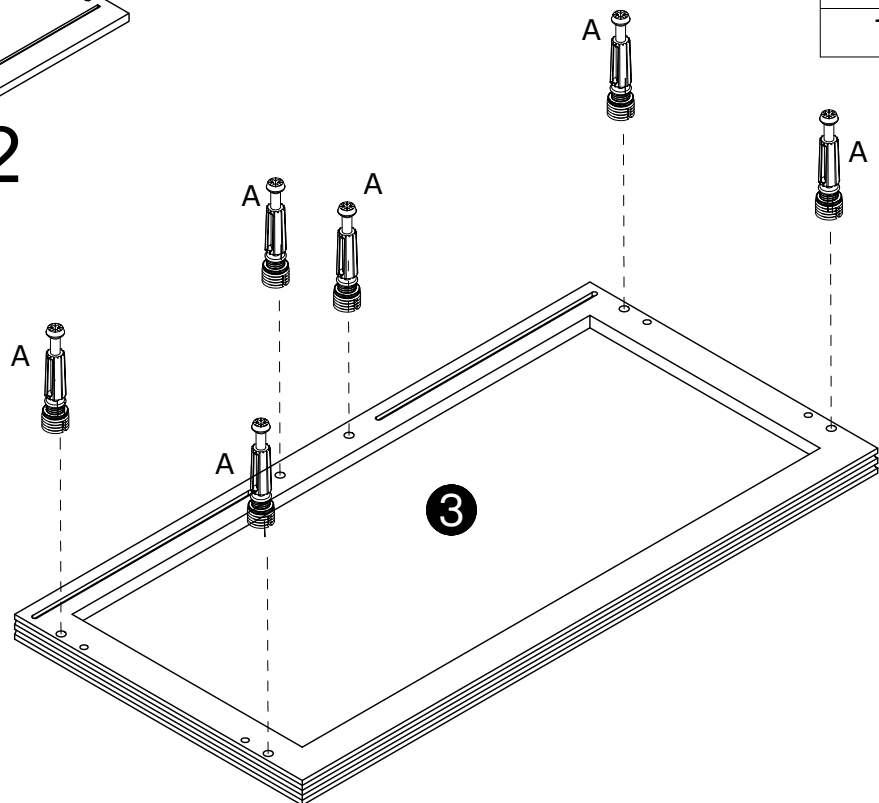
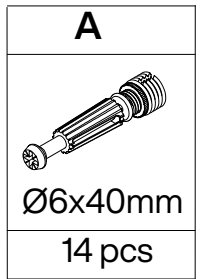
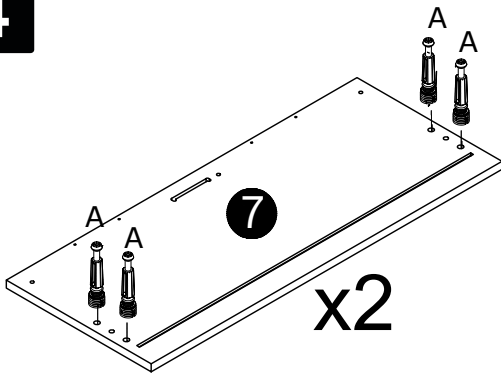
E	J
	
M4x65x30mm	M6x12mm
1 pc	16 pcs



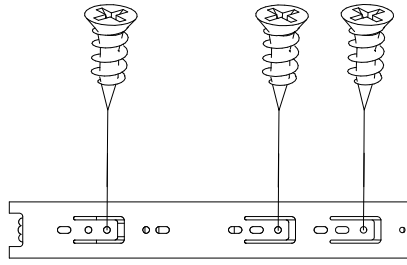
3



4

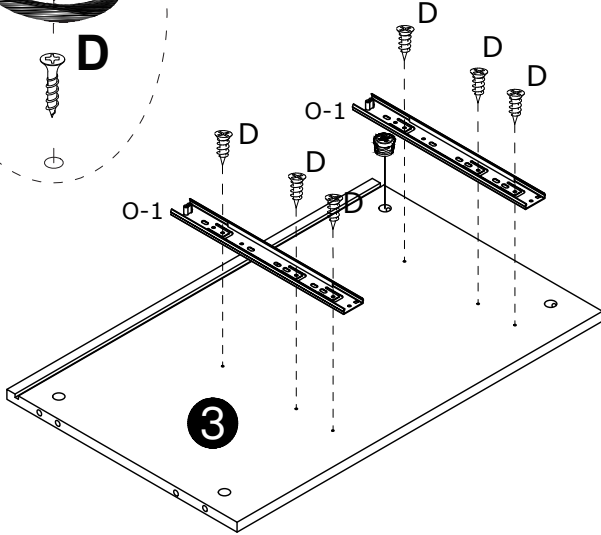
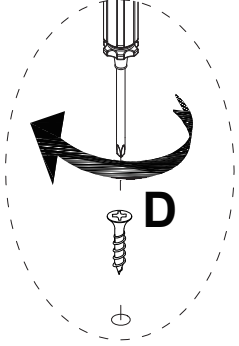


5

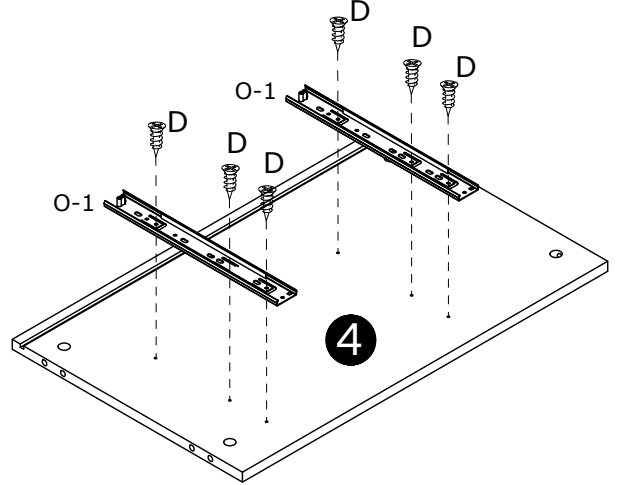


O-1

D	O
Ø3.5x14mm	290mm
12 pcs	4 pcs

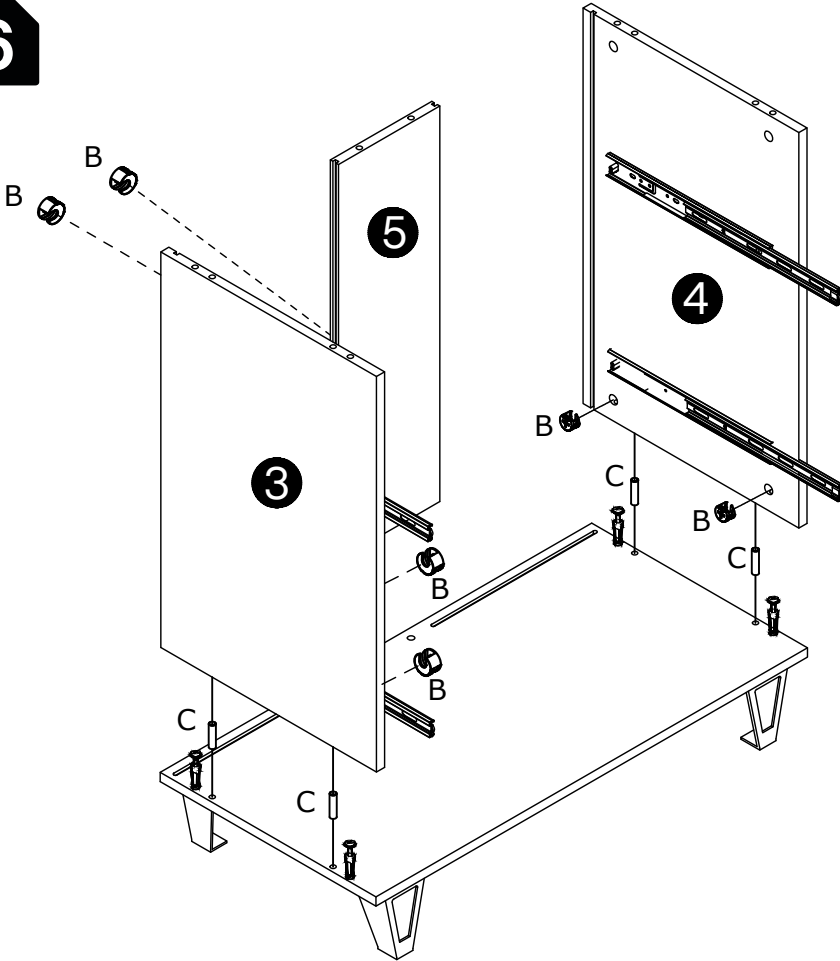


3



4

6

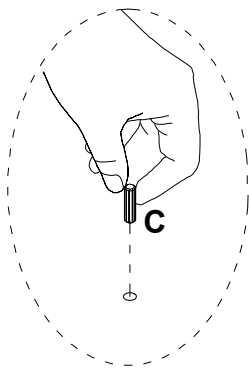


B	C
Ø3.5x14mm	Ø8x30mm
6 pcs	4 pcs

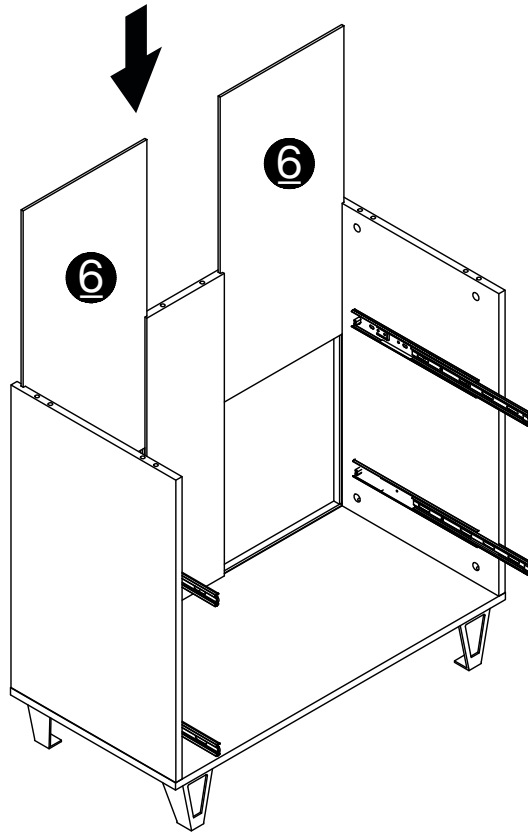
Step 1

Step 2

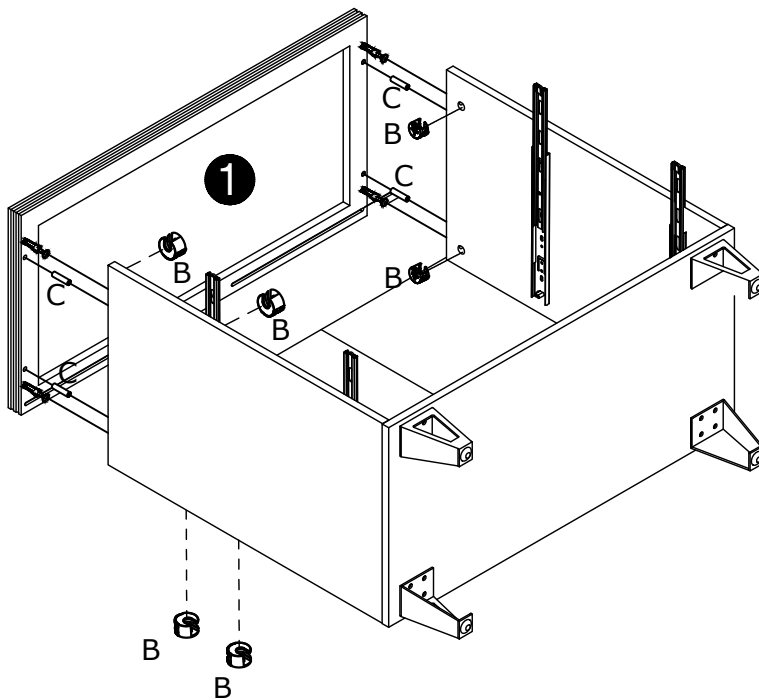
Step 3

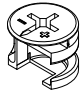
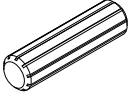


7

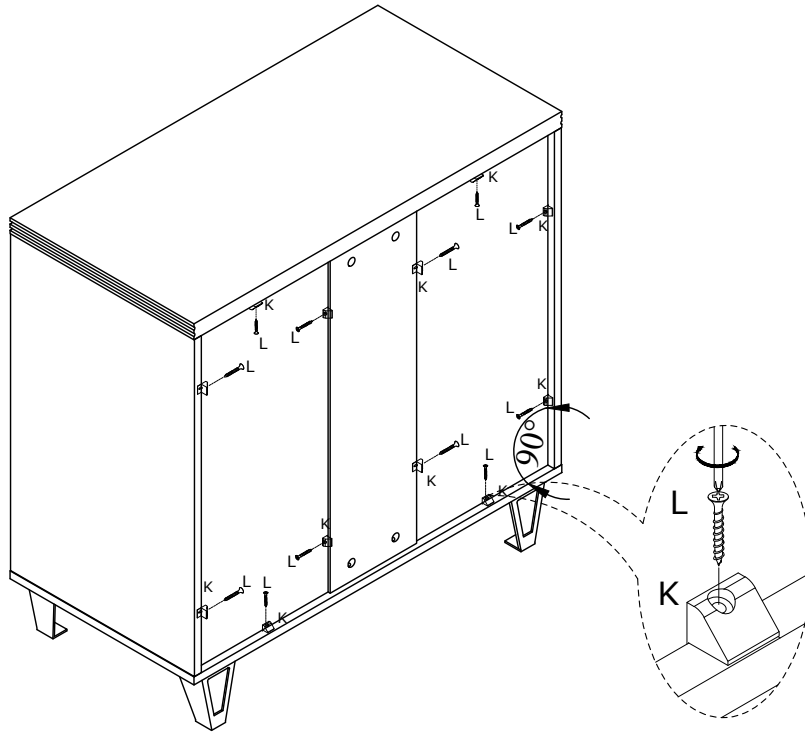


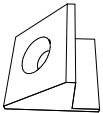

8



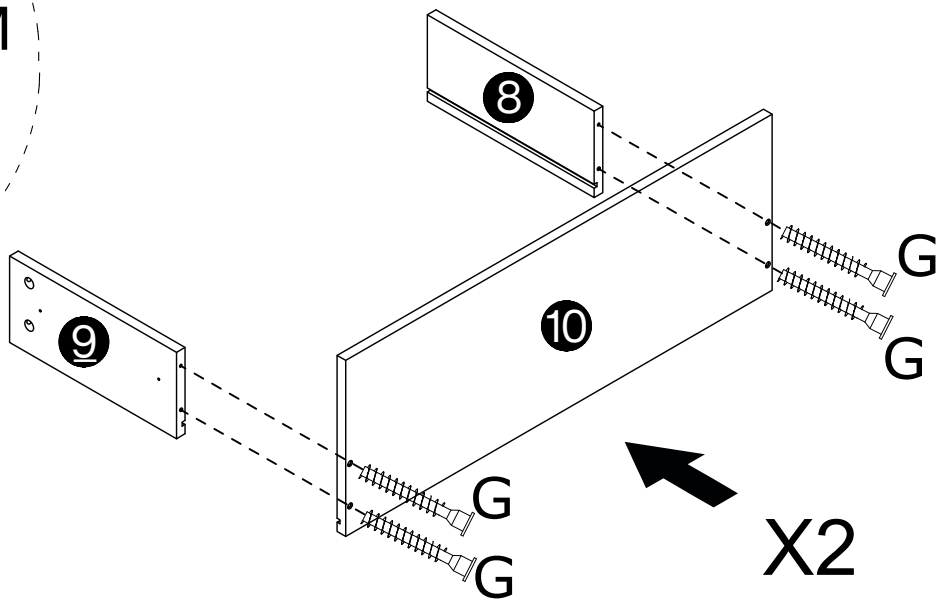
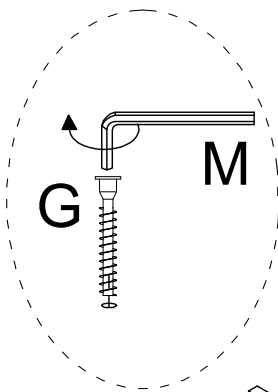
B	C
	
Ø3.5x14mm	Ø8x30mm
6 pcs	4 pcs


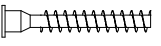
9



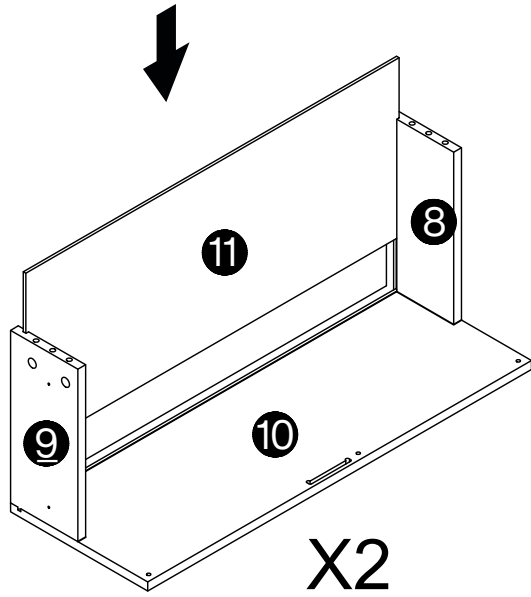
K	L
	
Ø3x18mm	Ø8x30mm
12 pcs	12 pcs


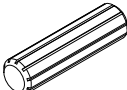

10

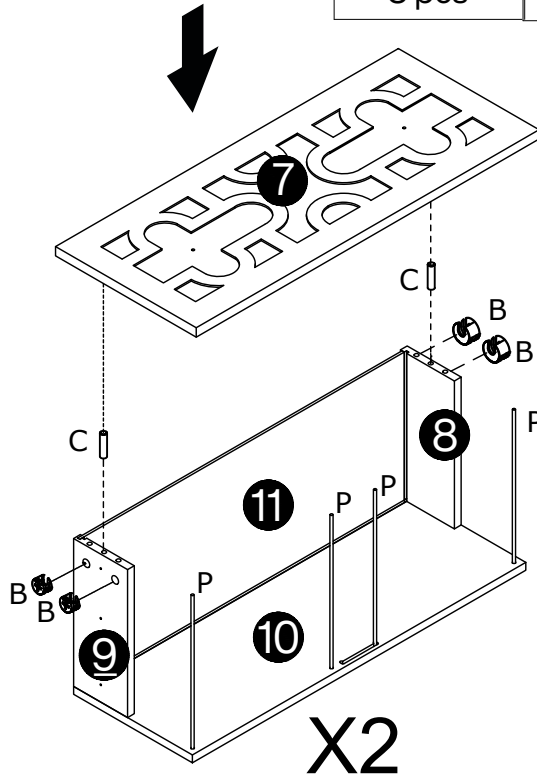


M	G
	
M3x65x30mm	Ø5x40mm
1 pc	8 pcs

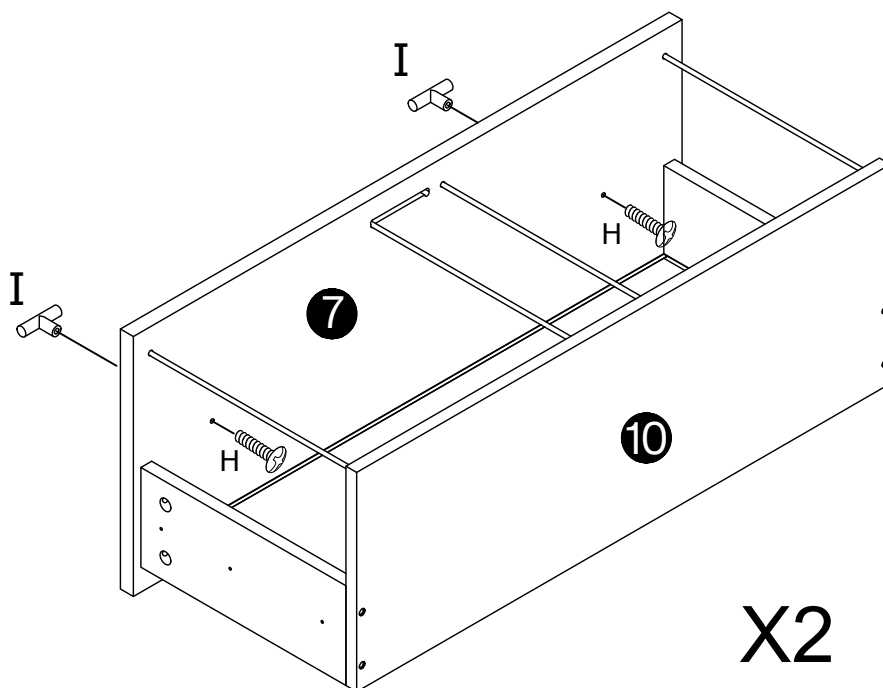
11


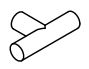


B	C	P
		
Ø3.5x14mm	Ø8x30mm	Ø5x300mm
8 pcs	4 pcs	8 pcs

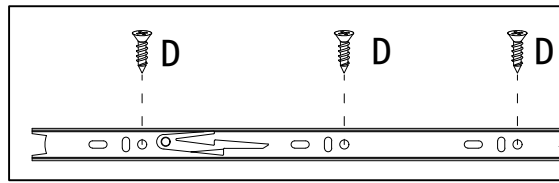


12


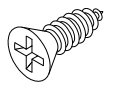


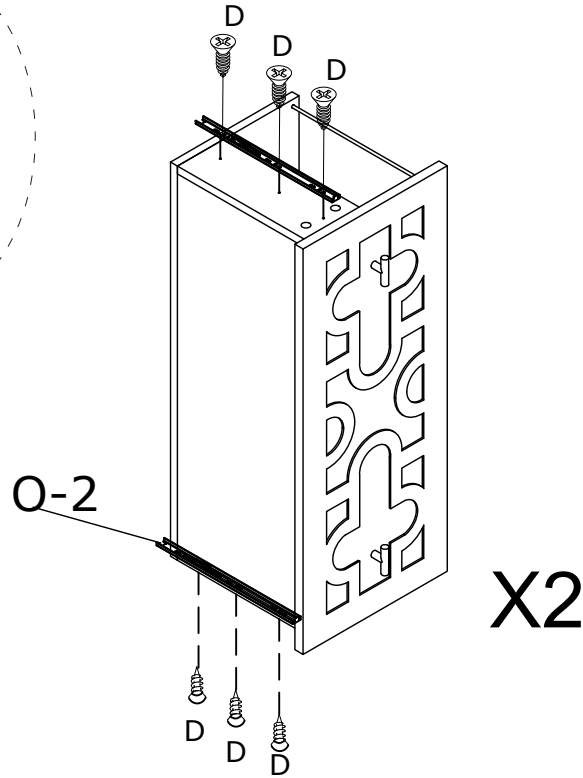
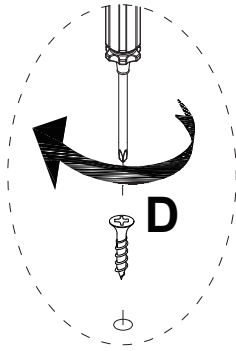
H	I
	
M4x23mm	50x30x12mm
4 pcs	4 pcs

13

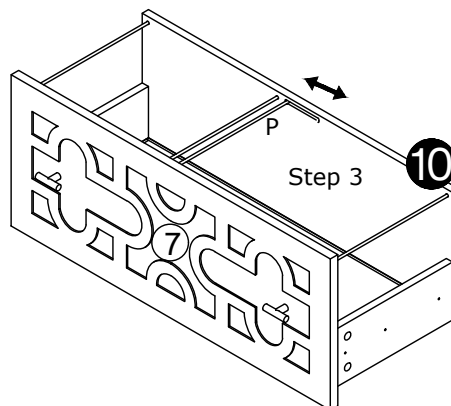
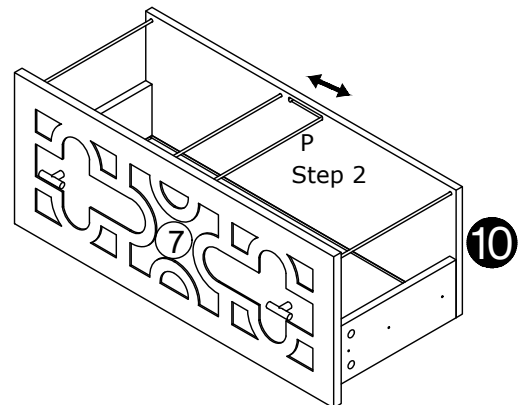
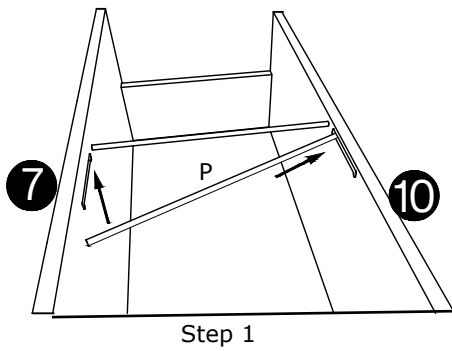


O-2

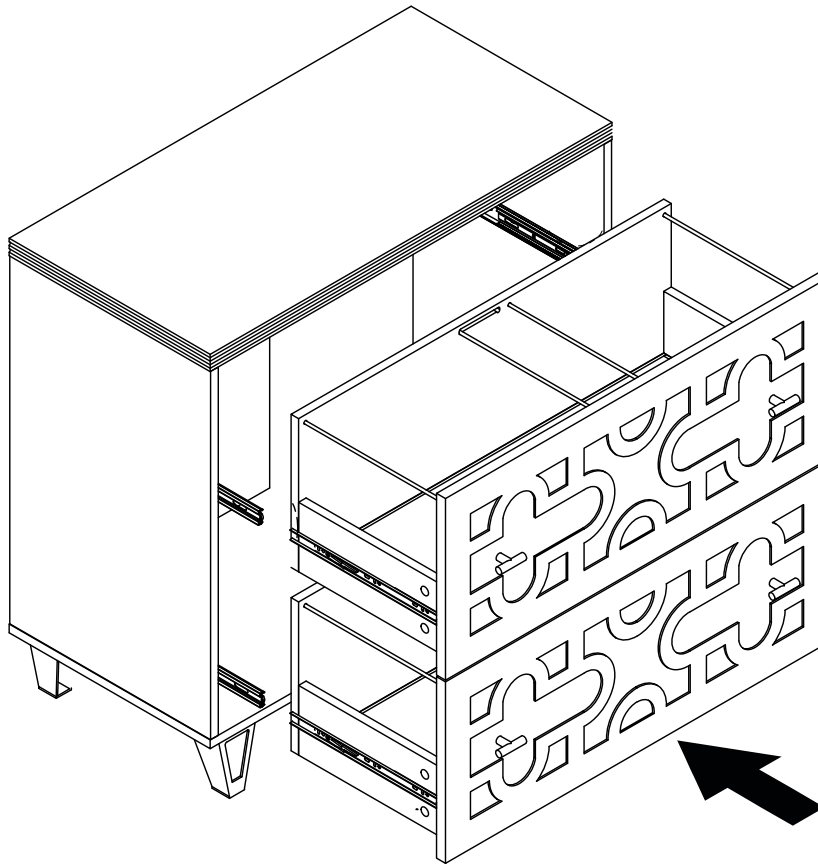
O-2	D
	
Ø290mm	Ø3.5x14mm
4 pcs	12 pcs



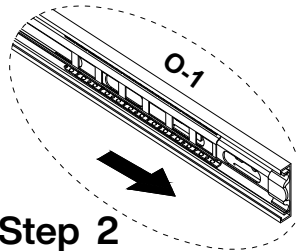
14



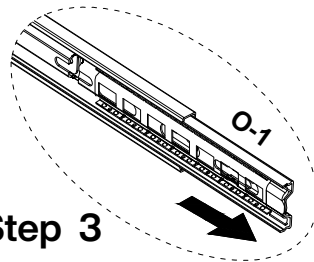
X2



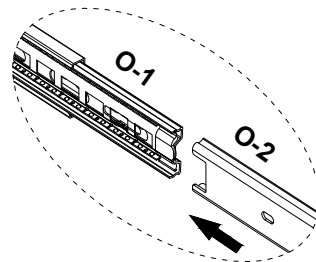
Step 1



Step 2




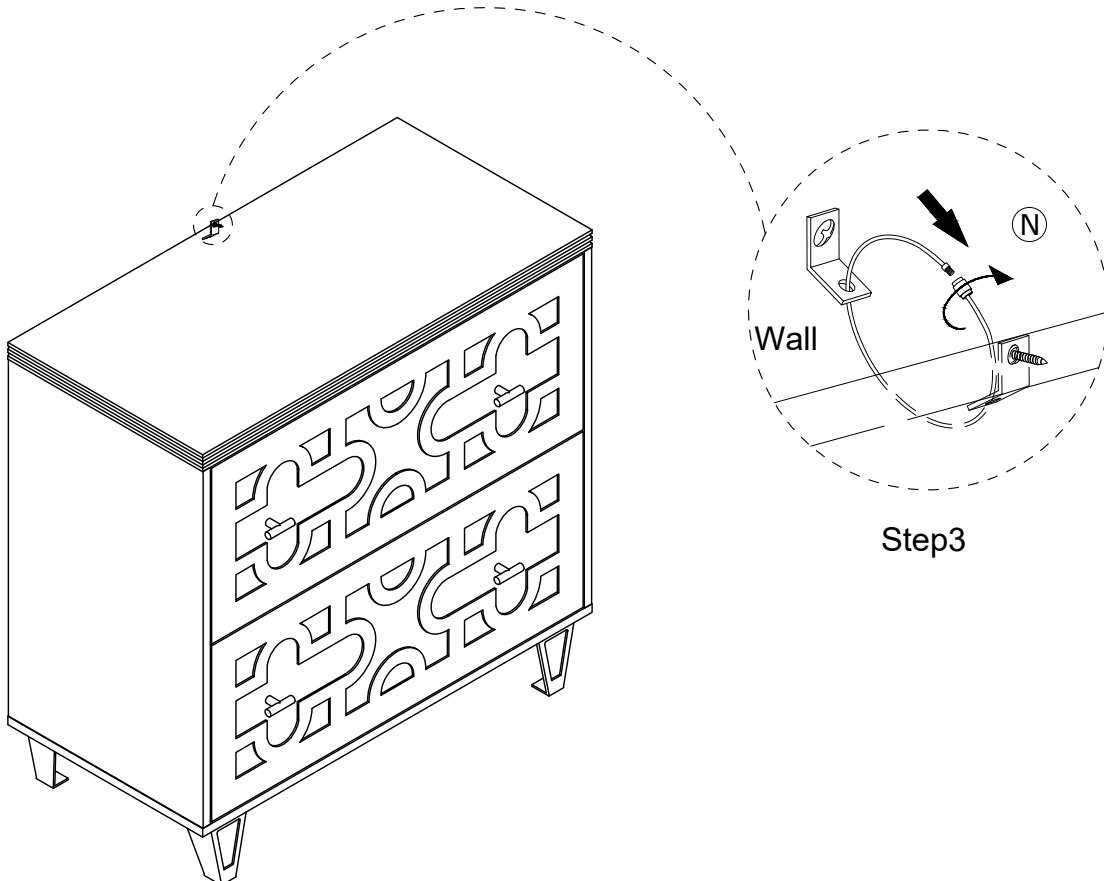
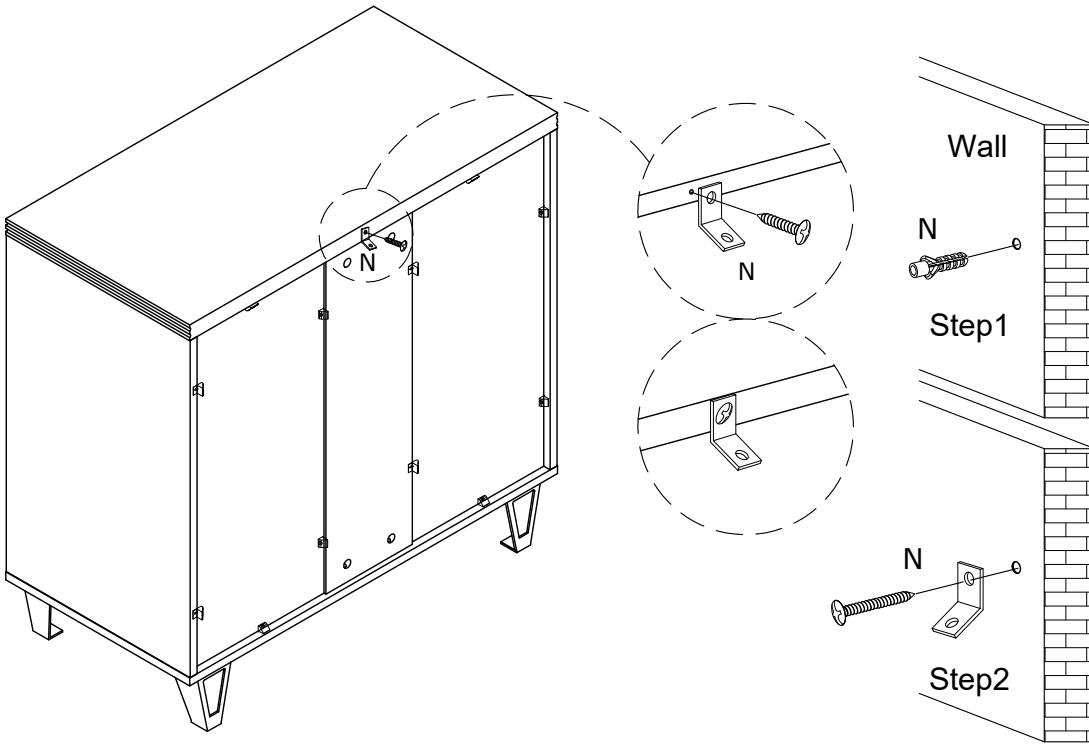
Step 3



Before installation, slide the inner iron pieces of #O-1 to the outermost side. Then align it with #O-2 and gently push it inward to complete the slide installation.

16

N

1pc



Thank you for your support!

