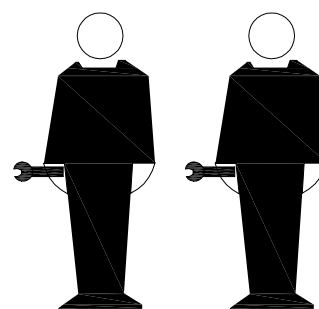
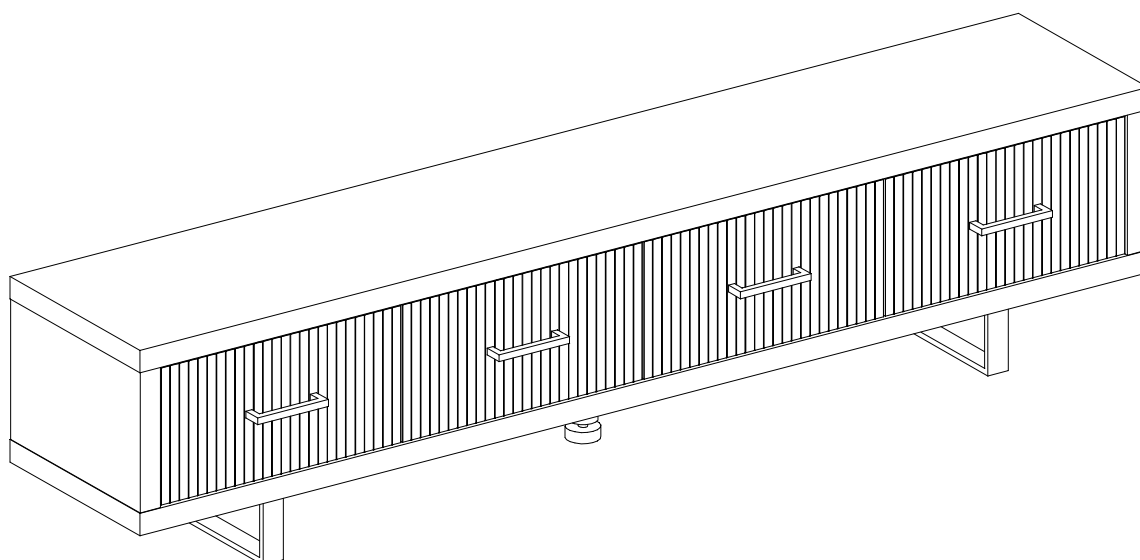


# ASSEMBLY INSTRUCTION

Thank you for purchasing the quality product. Be sure to check all packing material carefully for small parts which may have come loose inside the carton during shipment. Separate, identify and count all parts and metal hardware. Compare with all parts list to be sure all parts are present. If any part(s) are missing or damaged, please contact your local furniture dealer. For efficient and speedy service, please indicate the model number and code letter of part(s) needed.

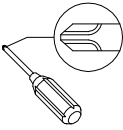
**\*\*\*Do not fully tighten screws until fully assembled\*\*\***

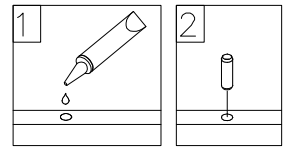


## Attention:

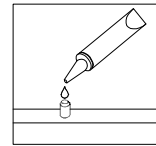
**\*\*\*Some number parts listed on the instruction sheet may not be in parts bag as they may already be assembled. Carefully check parts and packing materials prior to ordering replacements.**

# General Assembly Guidelines

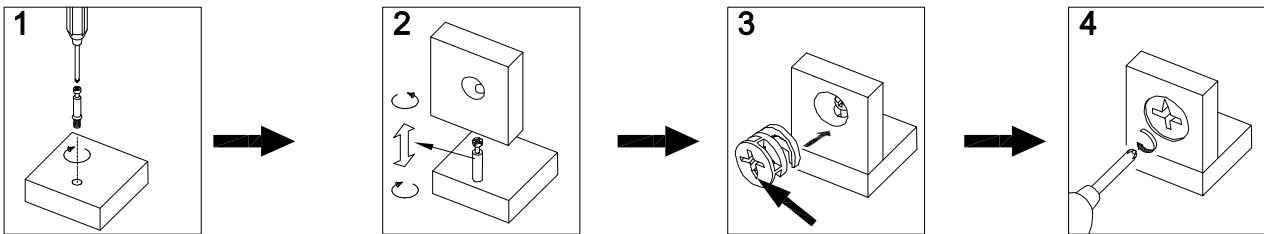
- I. Ensure that all parts and hardware are available before beginning assembly.
- II. Follow each step carefully to ensure the proper assembly of this product.
- III. The three main types of hardware used to assemble this product are: wood dowels, screws and bolts.
- IV. A Phillips head screwdriver is required for the assembly of this product. 
- V. The provided glue is to secure wood dowels in place. When first inserting dowels, locate the appropriate hole for the dowel, place a small amount of glue in the hole and insert the dowel. Wipe away excess glue immediately.



In future assembly steps when dowels are necessary to attach assembly parts together, place a small amount of glue on the end of the dowel before attaching parts together. Wipe away excess glue immediately.



## VI. Cam bolt and Cam lock Assembly instruction.



**Cam bolt  
vertical installation**

**Cam bolt is  
adjustable**

**Cam lock  
the arrow is towards  
the Cam bolt**

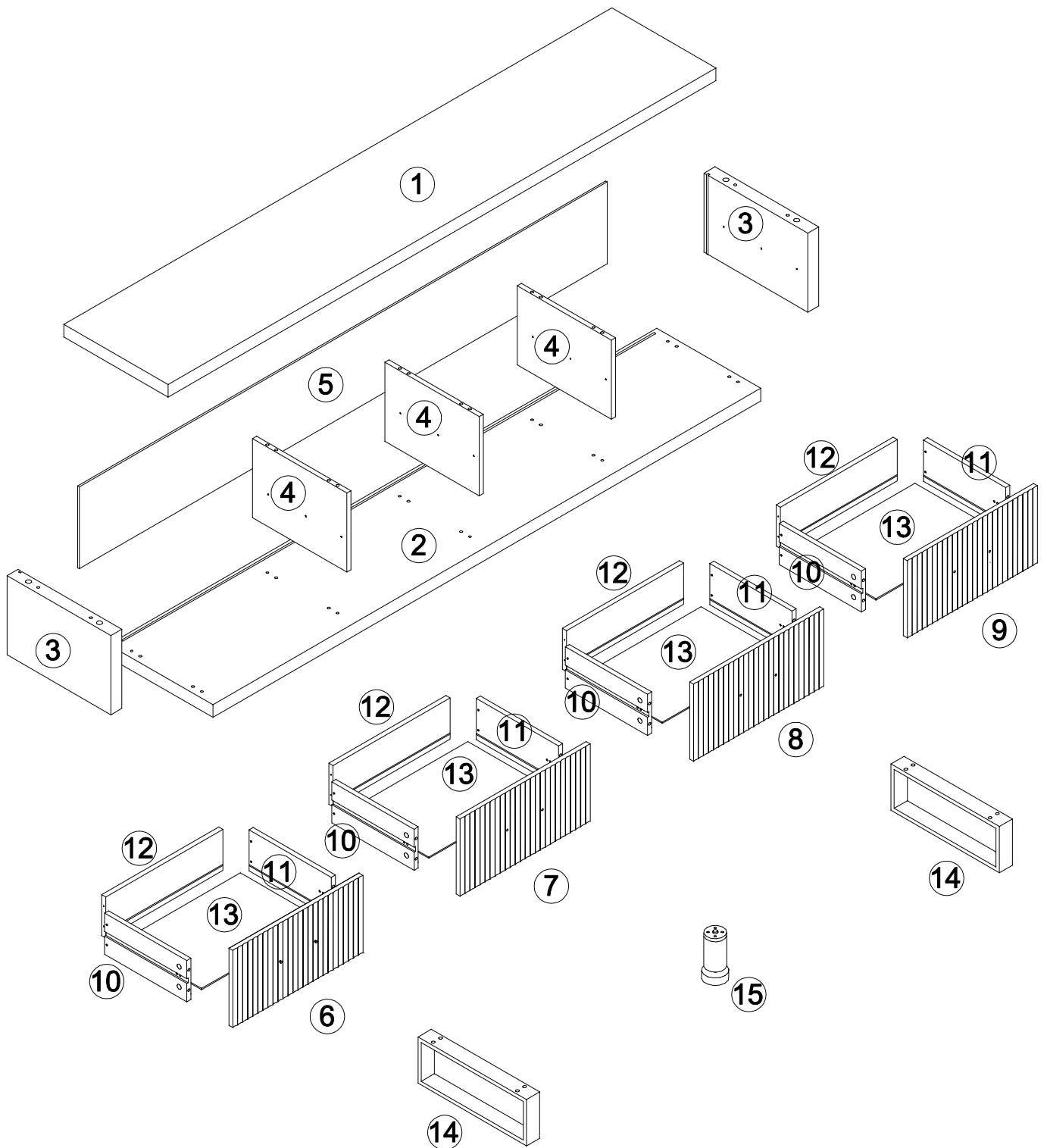
**Ensure locking**

## VII. Two people are recommended for ease in the assembly of this product.


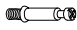









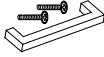

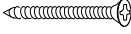

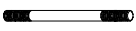

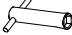


## VIII. Do not step on.

## IX. When the surface of the item is dirty, please gently wipe it with alcohol and water. Do not use substances such as thinner or xylene that are corrosive for cleaning.

# COMPONENT PARTS

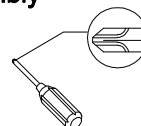


# Hardware List

A		Ø8x30mm	Wooden dowel	20 pcs
B		Ø6x35mm	Cam bolt	22 pcs
C		Ø15x9mm	Cam lock	22 pcs
D		Ø6x70mm	Screw	6 pcs
E		4mm	Allen Key	1 pcs
F				8 pcs
G		Ø4X12mm	Screw	8 pcs
H		Ø3.5x12mm	Screw	24 pcs
I			Plastic wedge	8 pcs
J		Ø3x18mm	Screw	8 pcs
K		Ø6*20mm	Bolt	8 pcs
L			Handle	4 pcs
M		Ø4x14mm	Screw	4 pcs
N		Ø4x30mm	Screw	16 pcs
O			Non-Slip Felt	4 pcs
P		M8x305mm	Screw rod	4 pcs
Q		m8mm	Nut	4 pcs
R			Sleeve	1 pcs
S			Washer	4 pcs
T			Glue tube	1 pcs

Philips head screwdriver required for assembly

(not included)

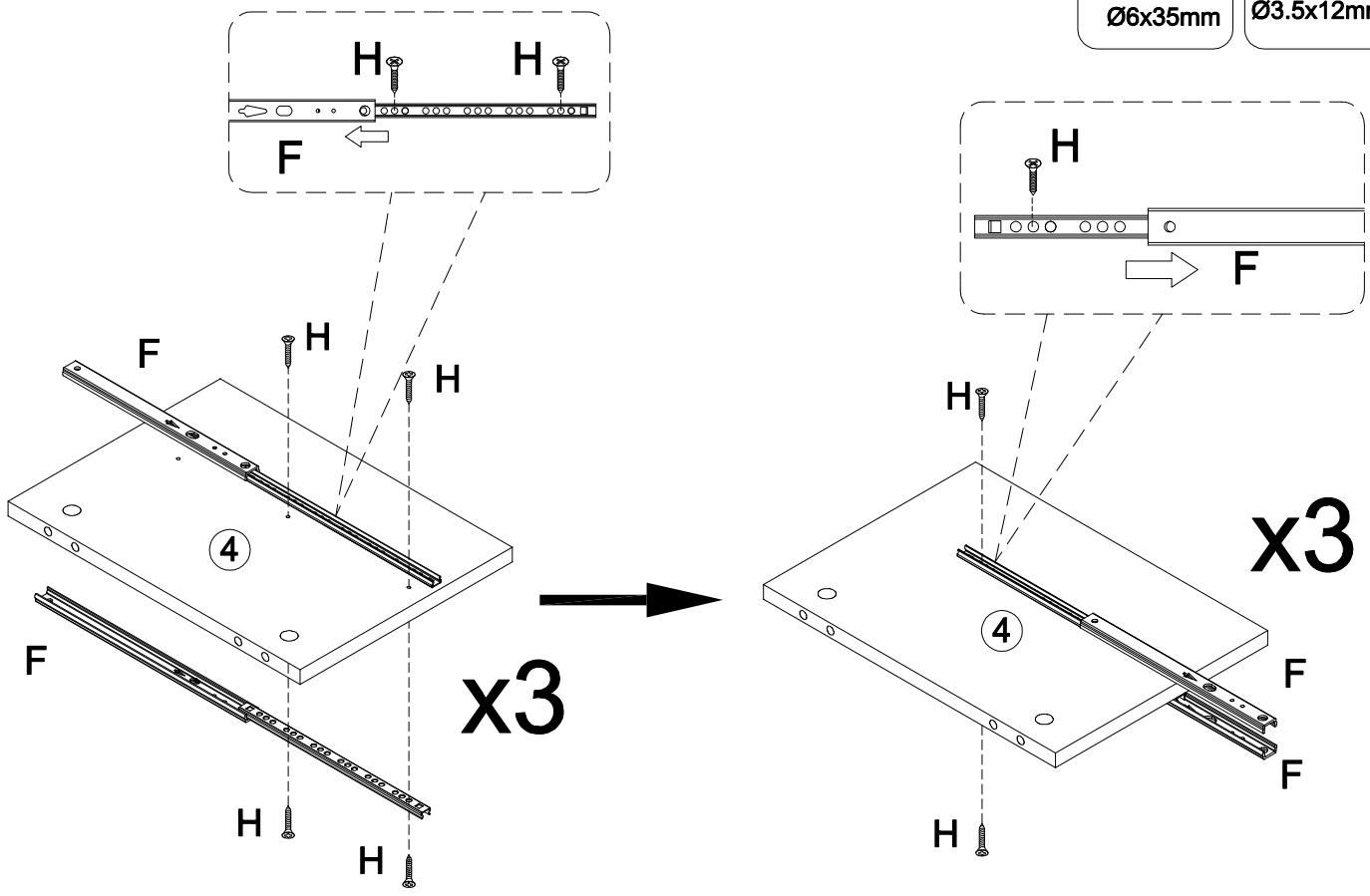


*The hardware quantities listed above are required for proper assembly.  
Some extra hardware may also have been included.*

# Step 1

F x 6  
Ø6x35mm

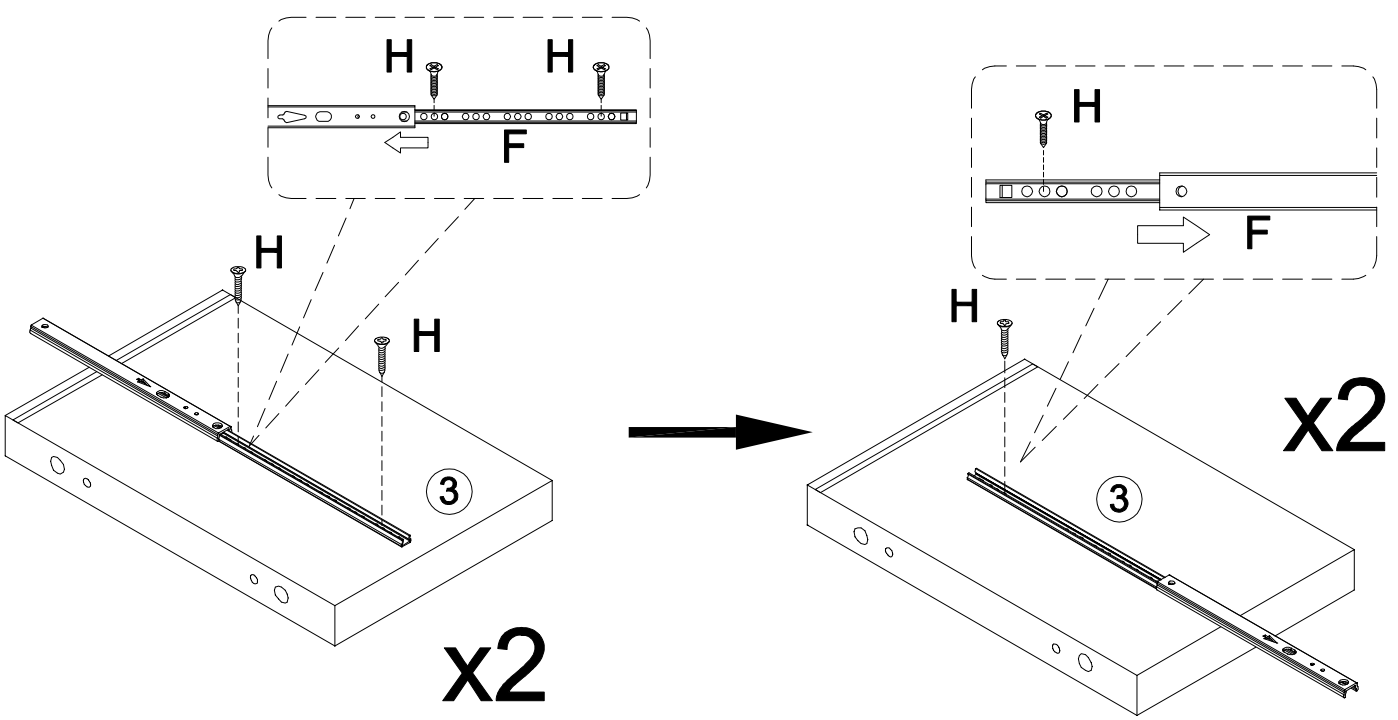
H x 18  
Ø3.5x12mm



# Step 2

F x 2  
Ø6x35mm

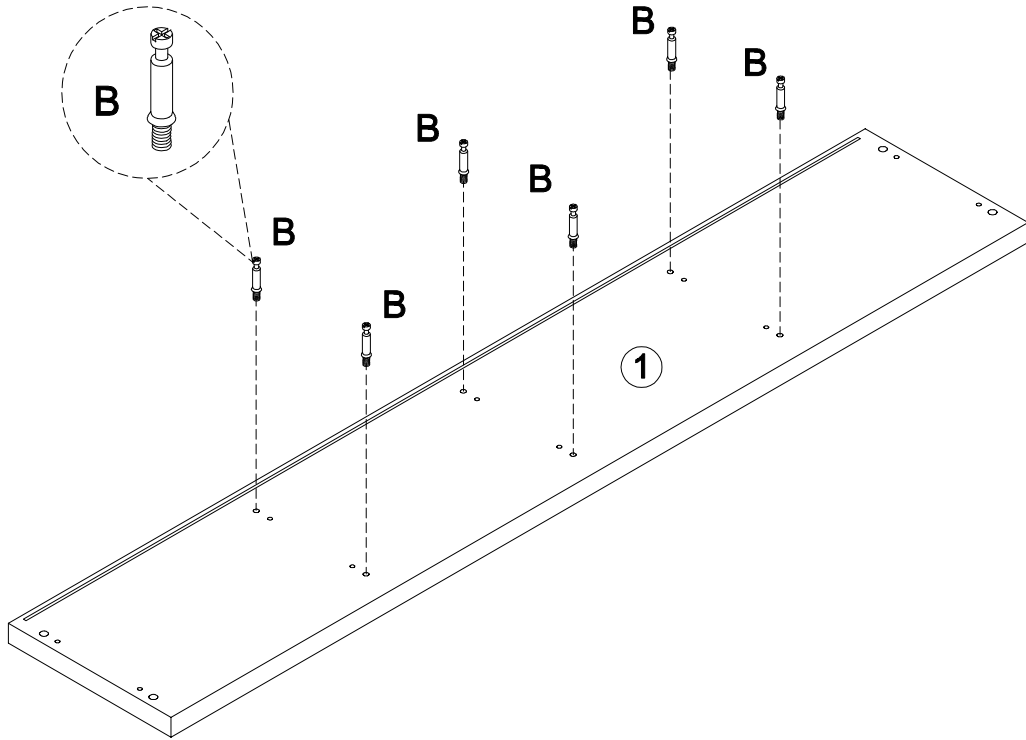
H x 6  
Ø3.5x12mm



# Step 3

B x 6

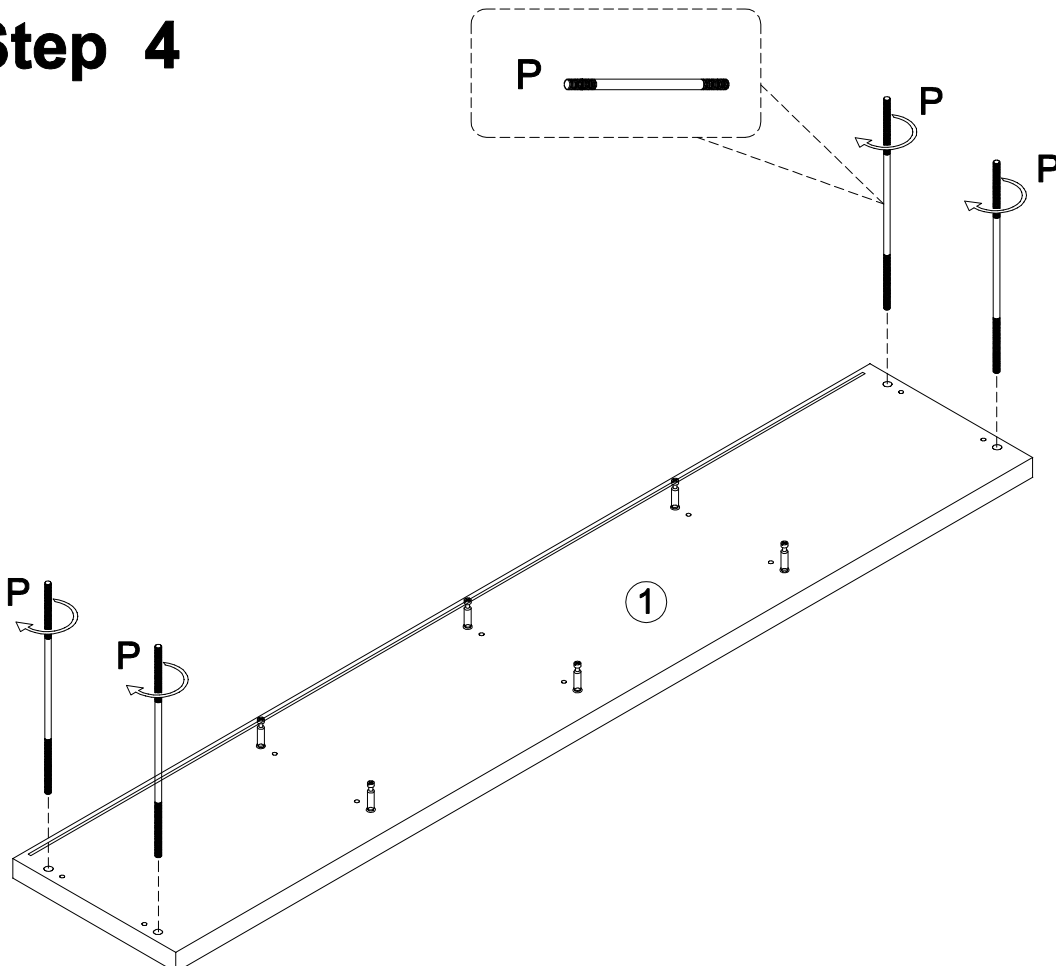
  
Ø6x35mm





# Step 4

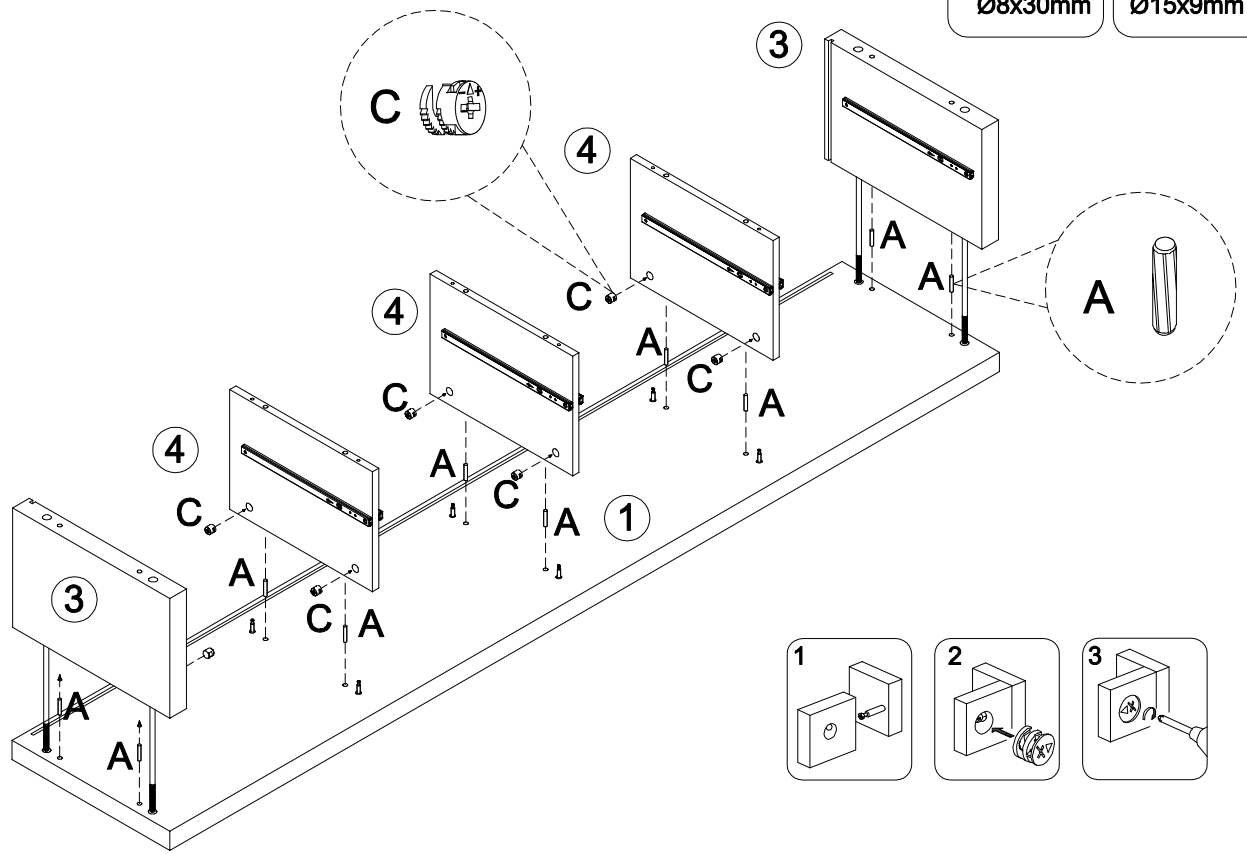
P x 4

  
Ø8x305mm

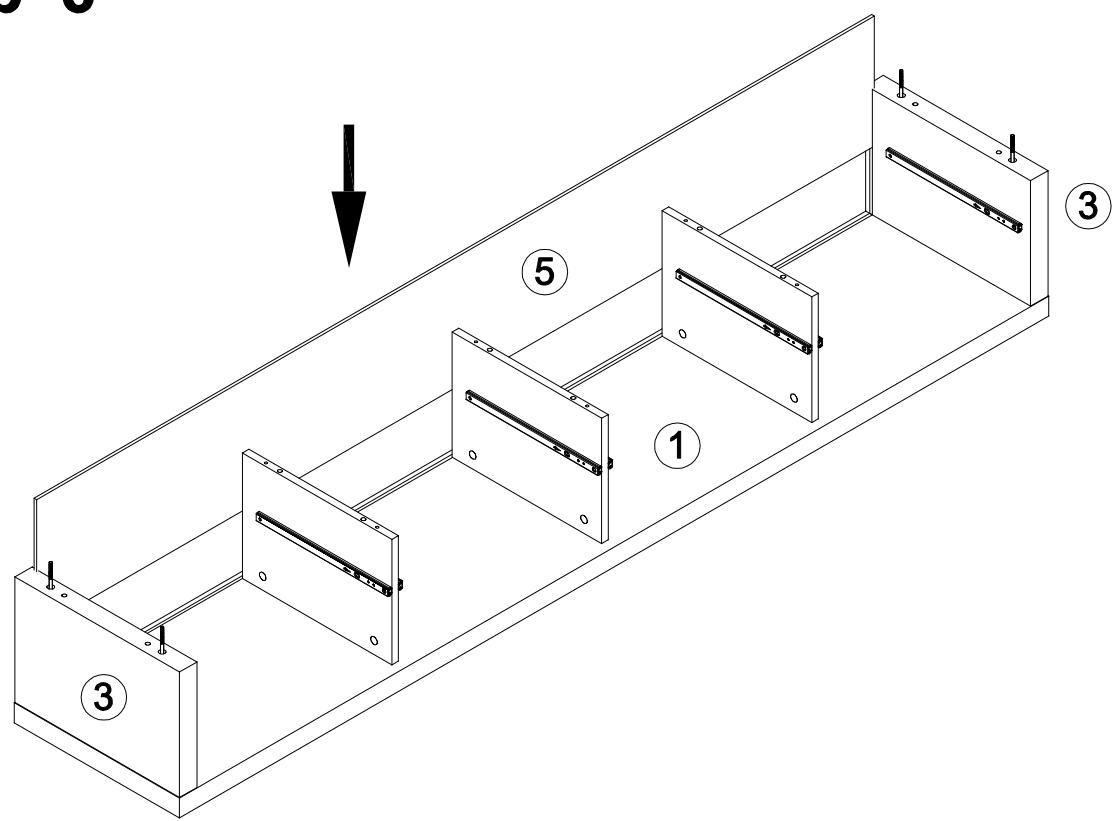


# Step 5


A x 10	C x 6
 Ø8x30mm	 Ø15x9mm





# Step 6

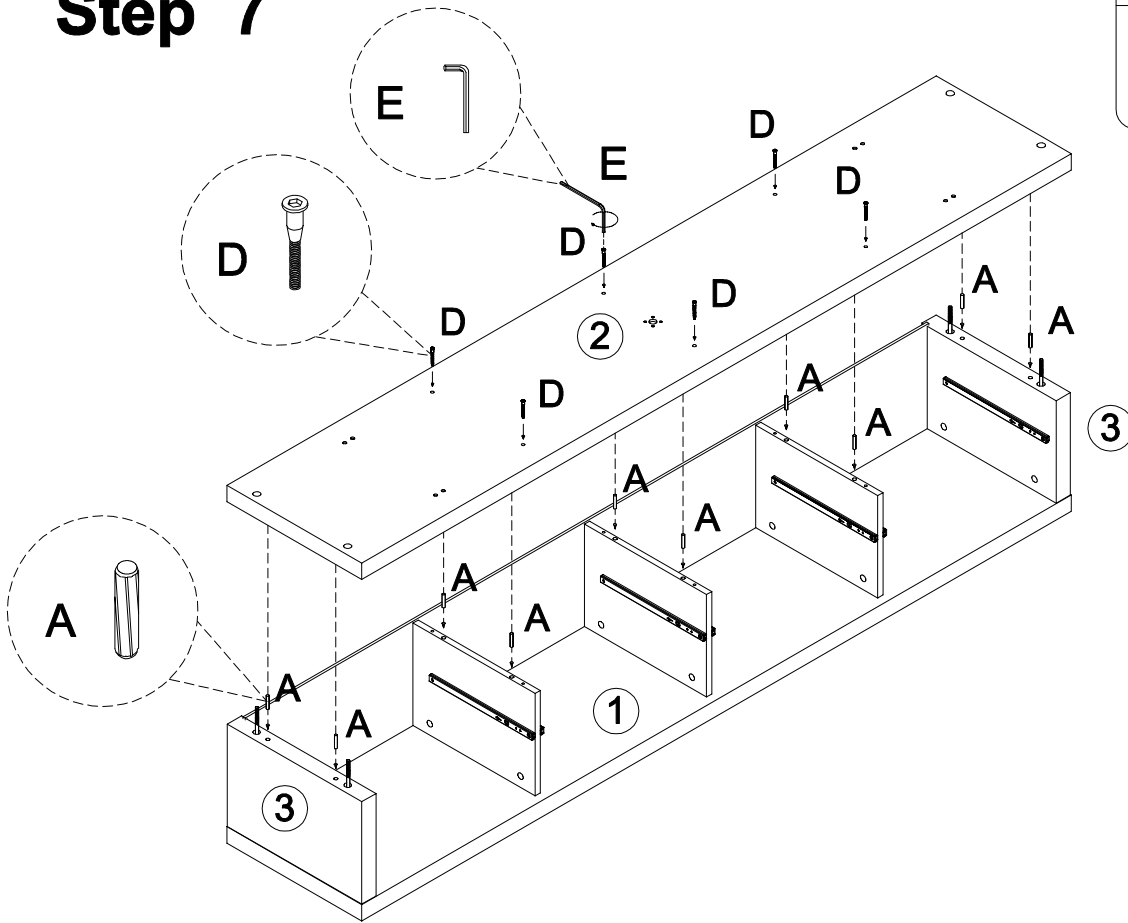


# Step 7


A x 10  
  
 Ø8x30mm

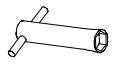
D x 6  
  
 Ø6x50mm


E x 1  
  
 4mm

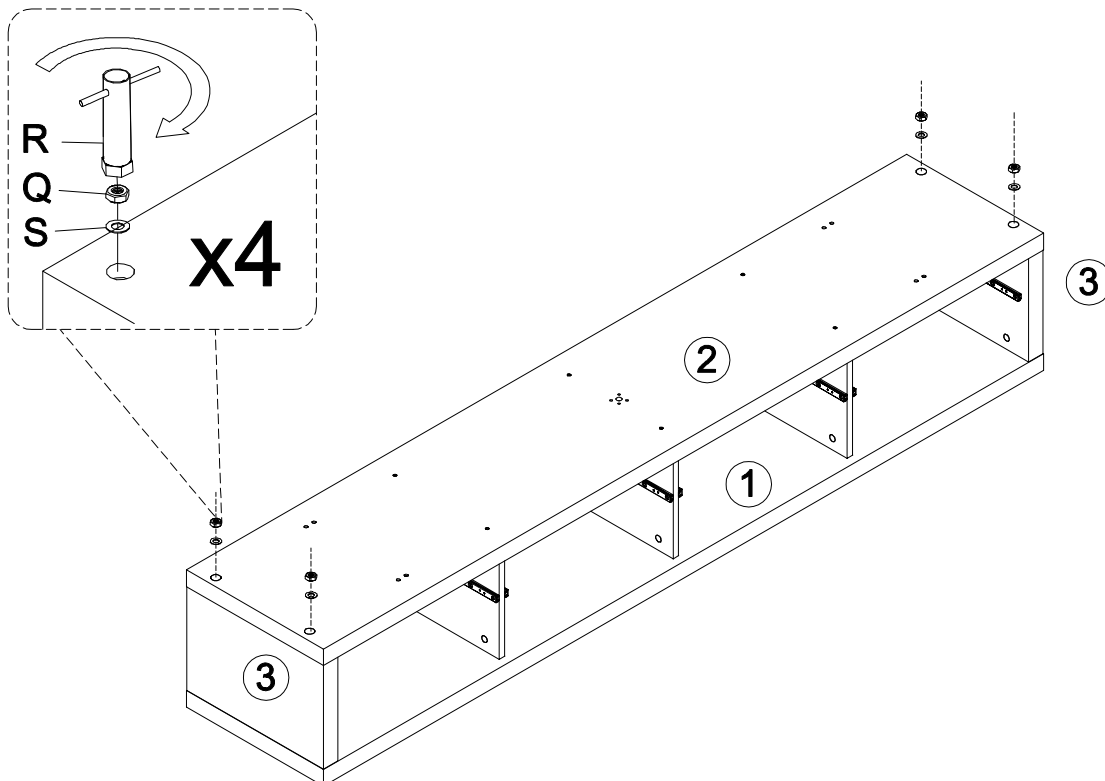


# Step 8

Q x 4  


R x 1  


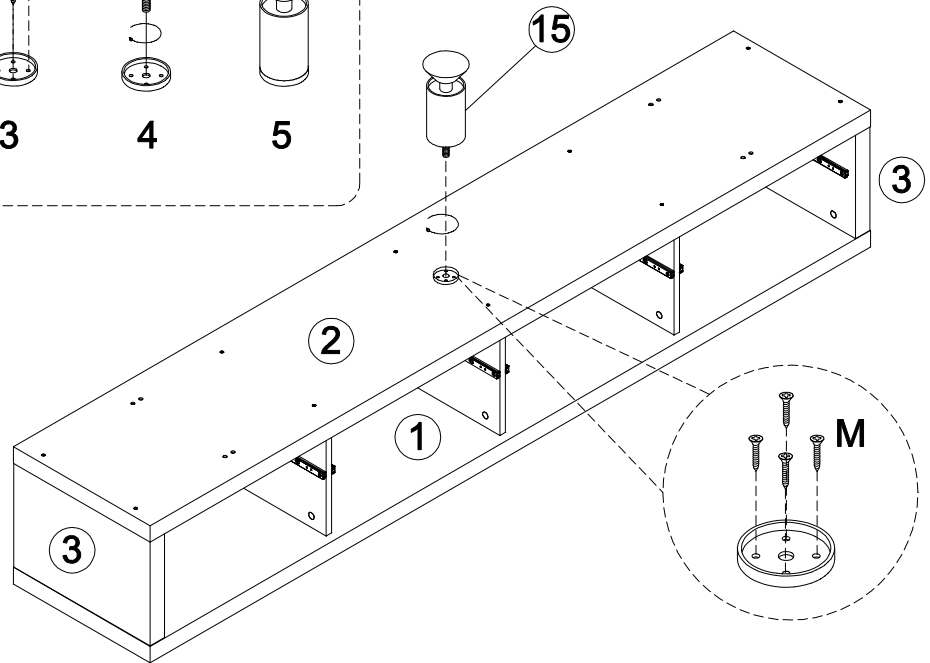
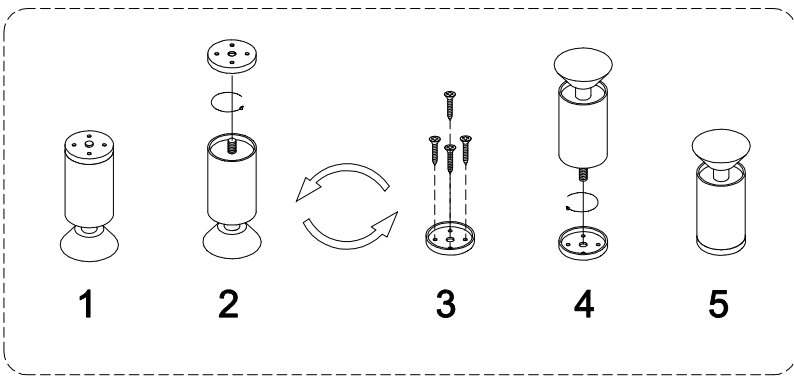
S x 4  




# Step 9

M x 4

Ø4x14mm



# Step 10

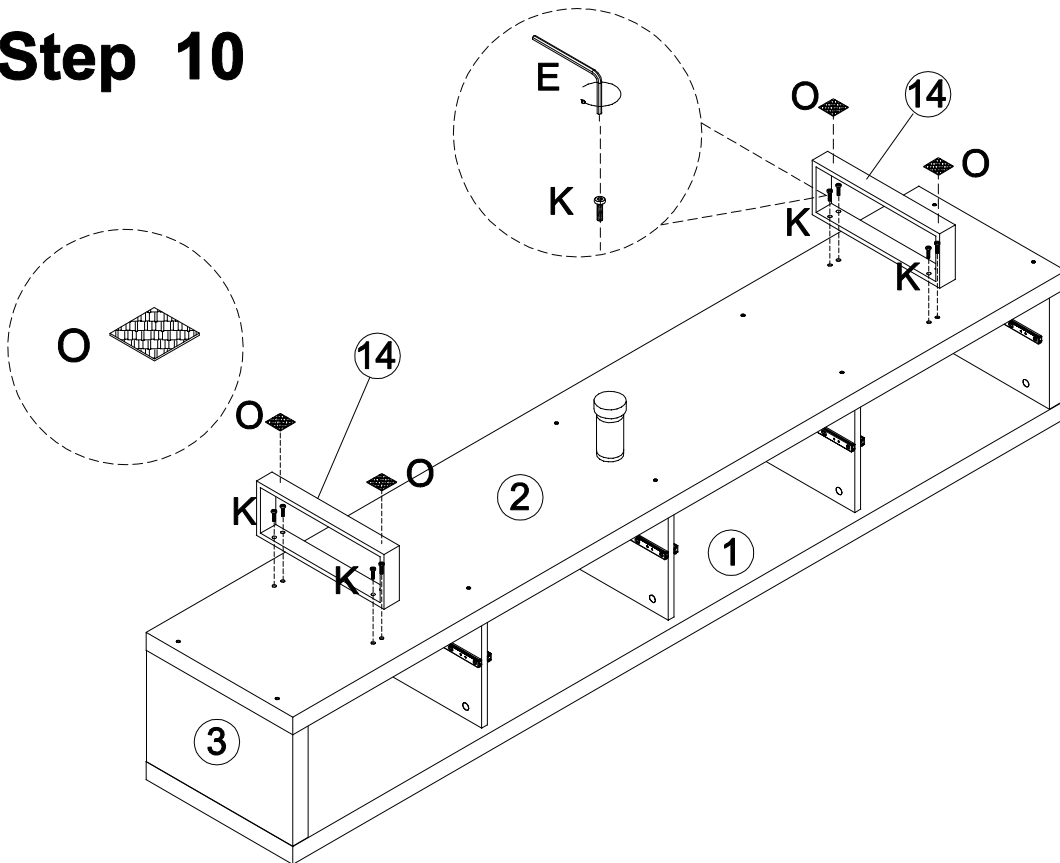
E x 1

4mm

K x 8


Ø6X20mm

O x 4




# Step 11

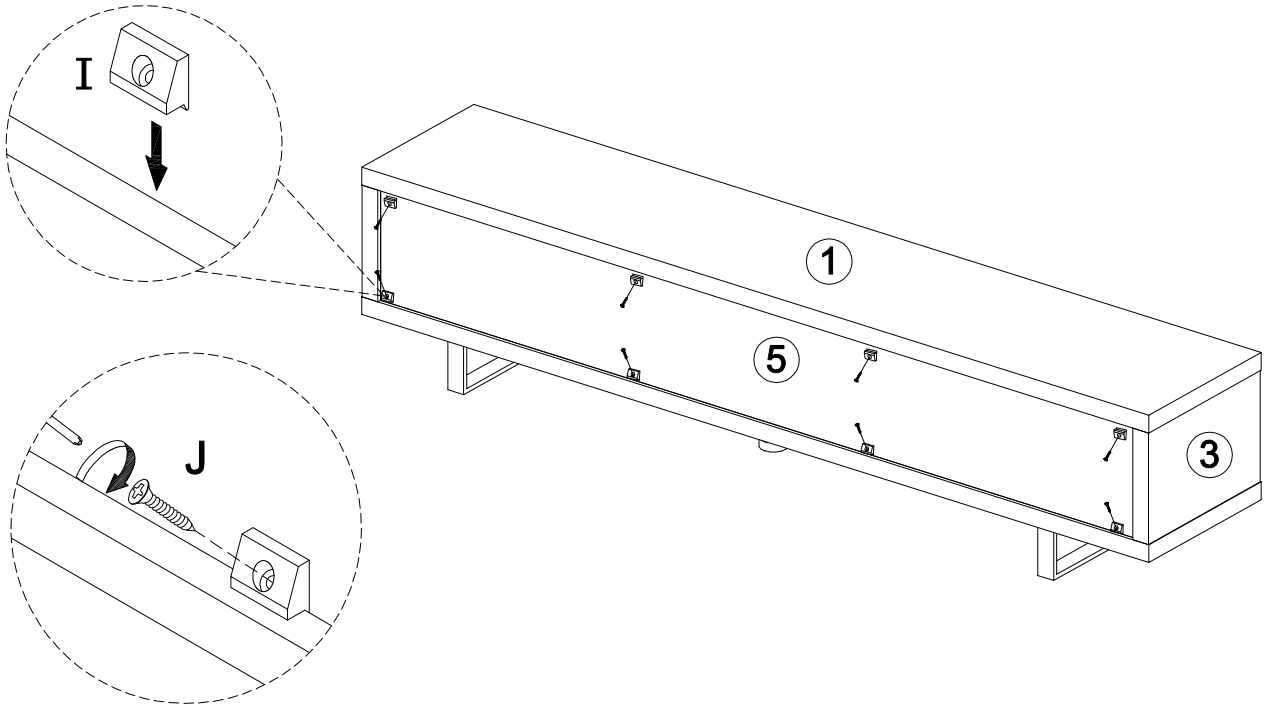
I x 8



J x 8

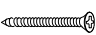


Ø3x18mm

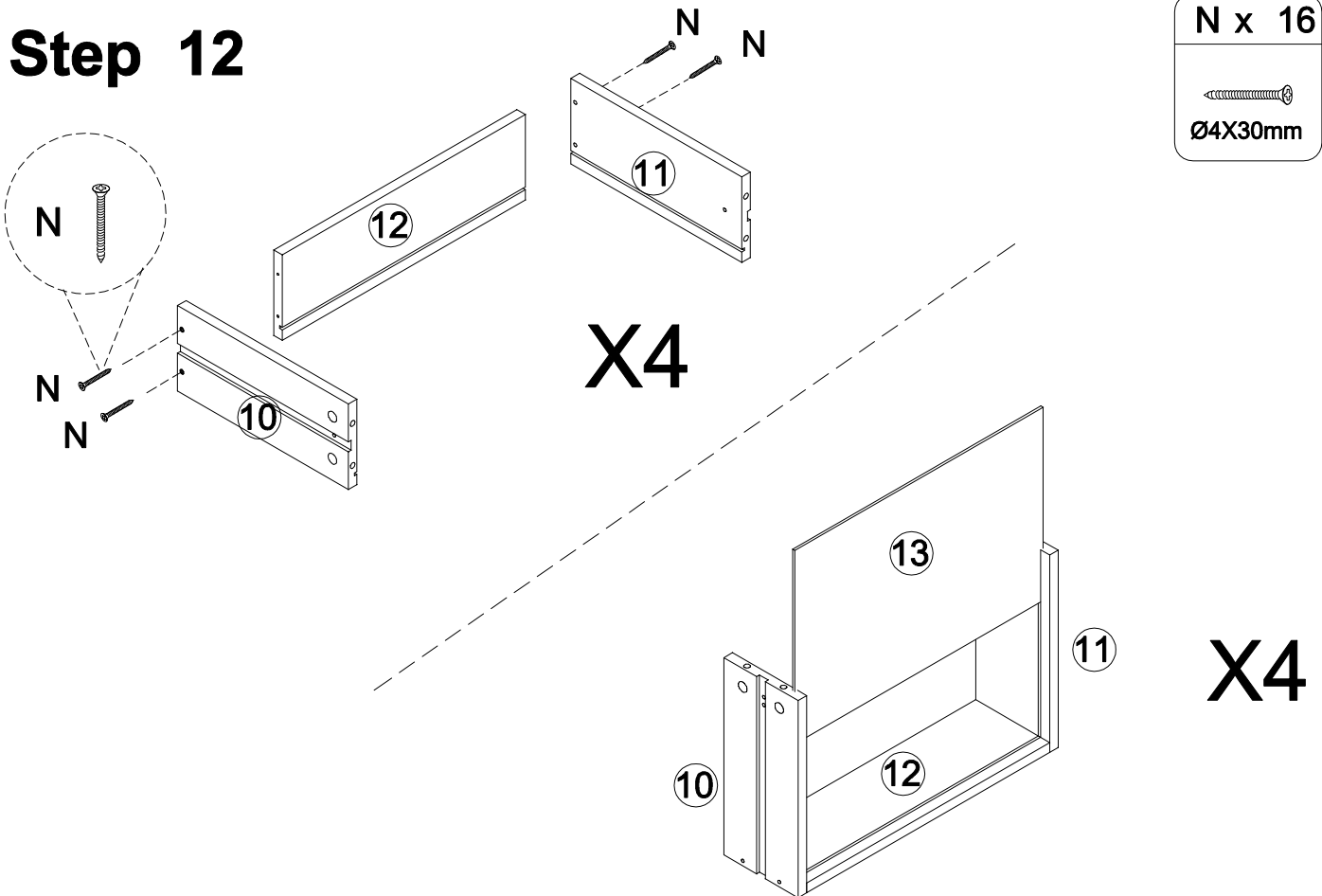


# Step 12


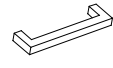

N x 16

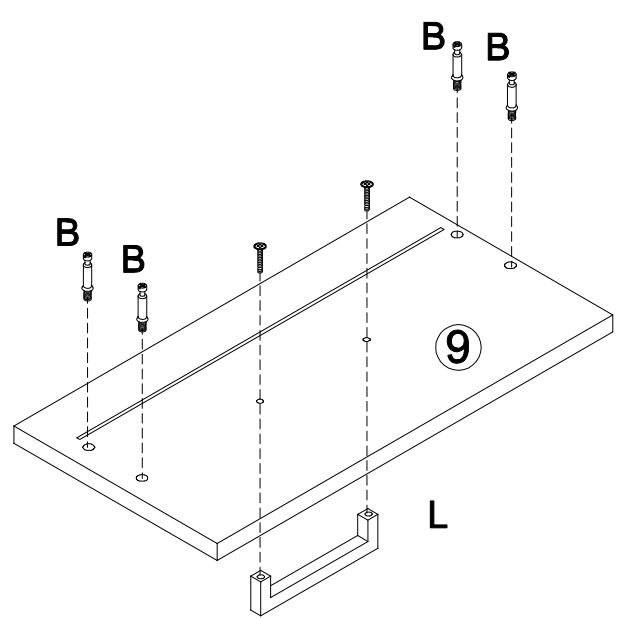
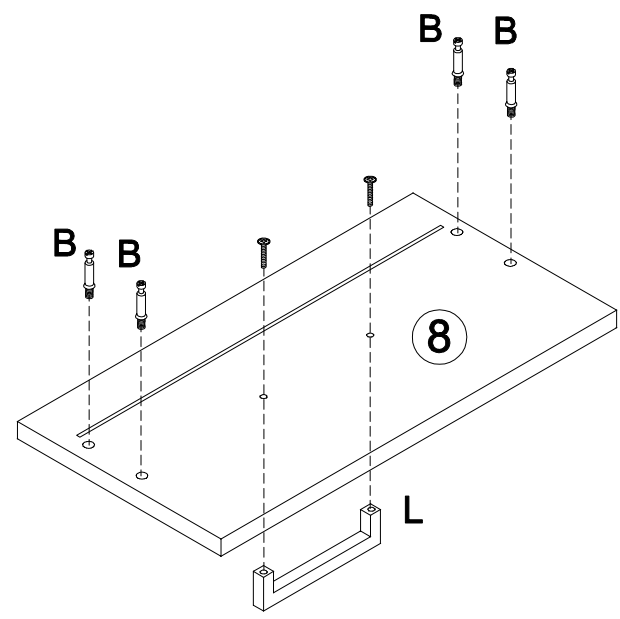
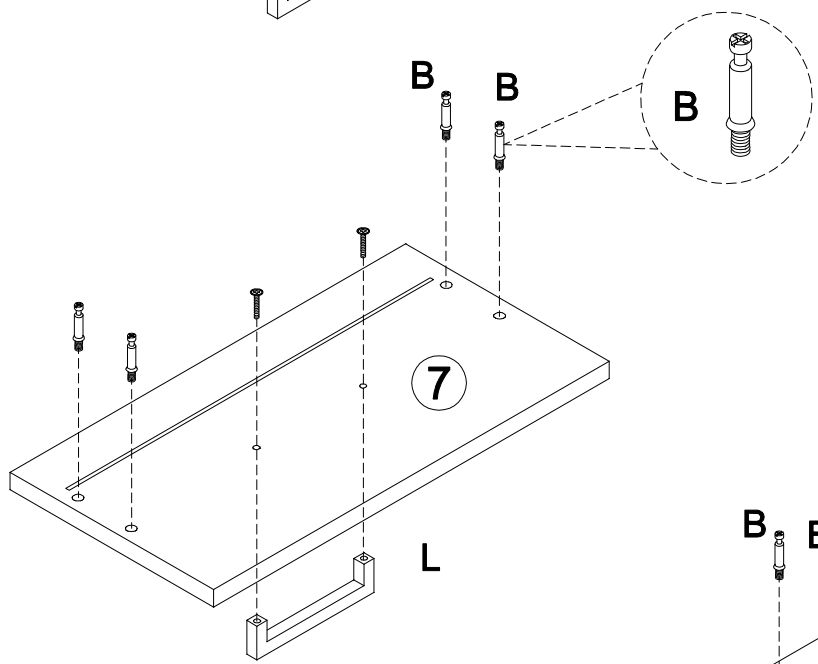
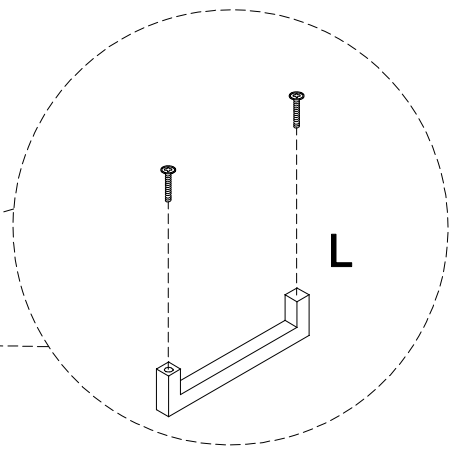
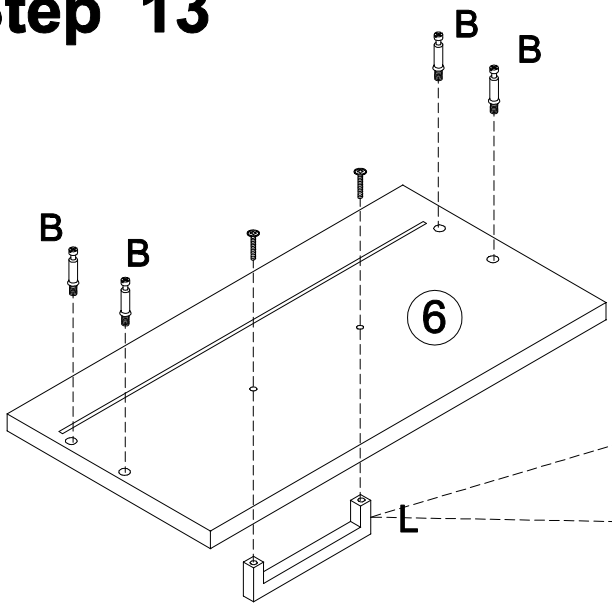


Ø4X30mm



# Step 13

<b>B x 16</b>  Ø6x35mm	<b>L x</b> 	<b>4</b> 
---	---	---

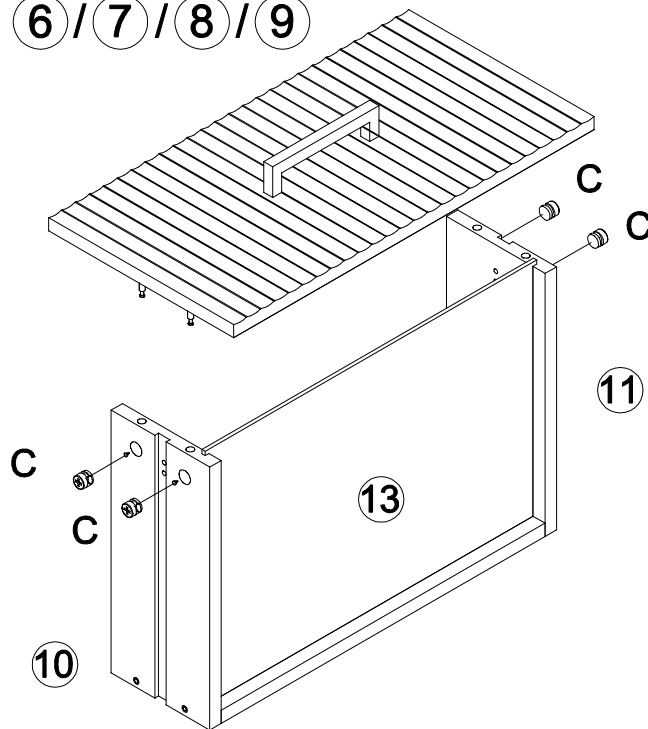


# Step 14

C x 16



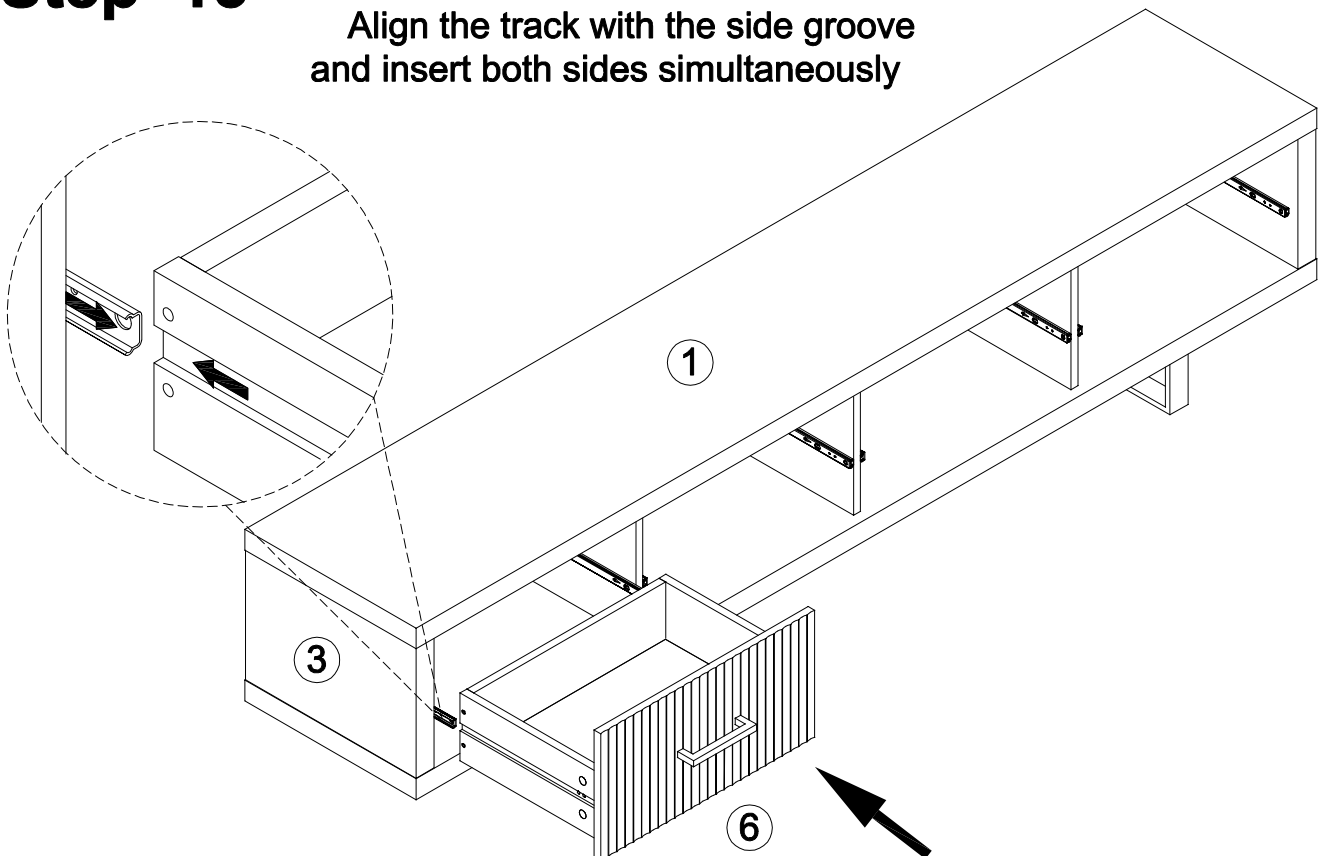
⑥ / ⑦ / ⑧ / ⑨



X4

# Step 15

Align the track with the side groove and insert both sides simultaneously

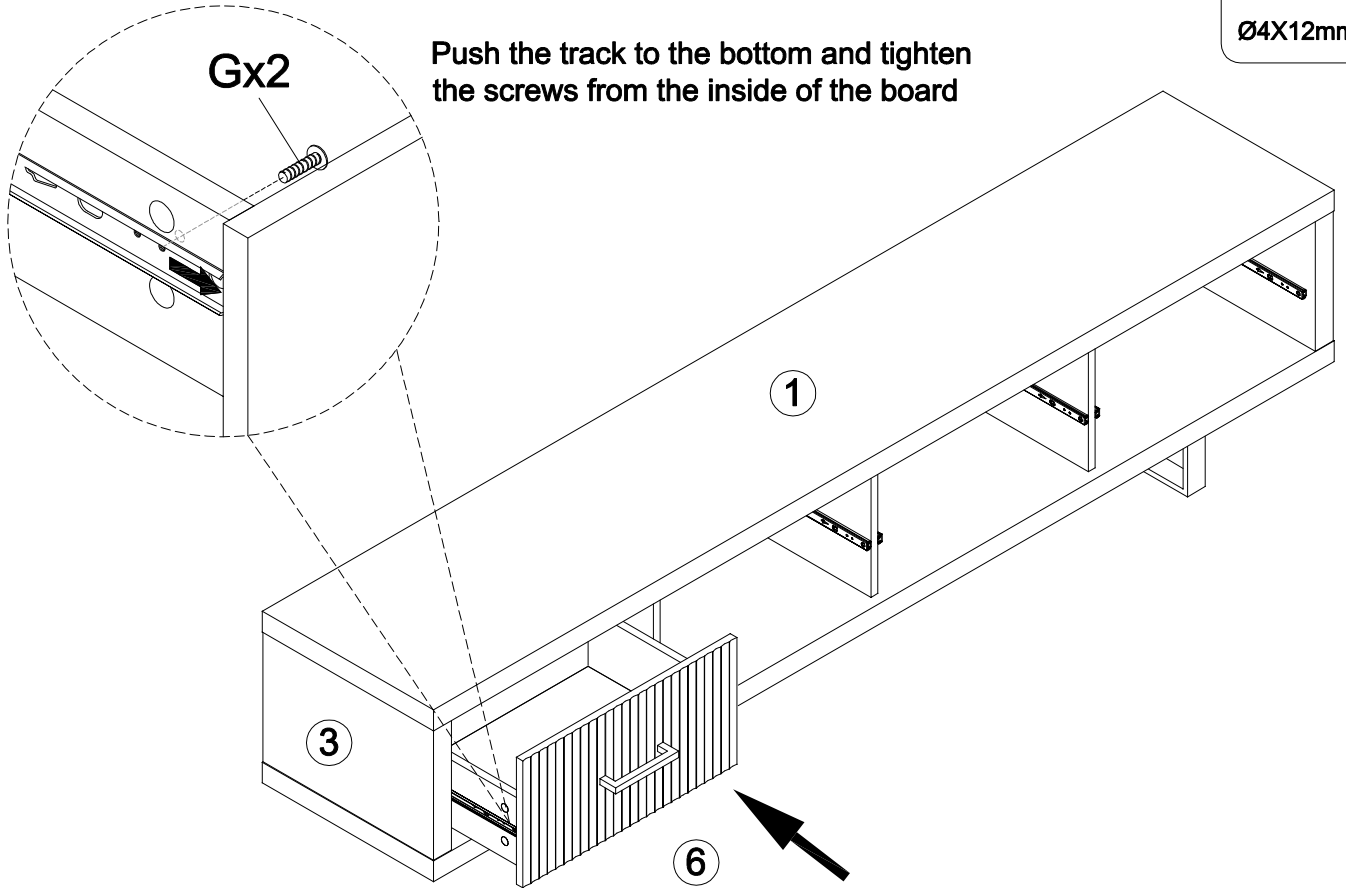


# Step 16

G x 2

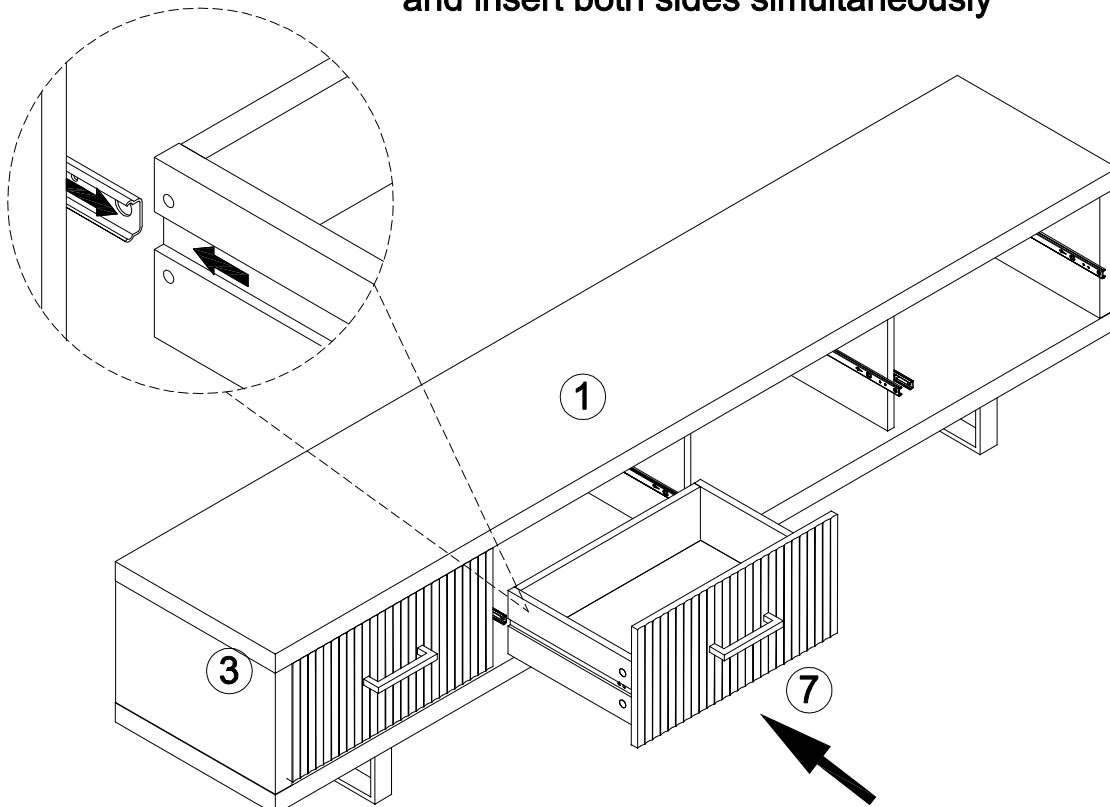
Ø4X12mm

Push the track to the bottom and tighten the screws from the inside of the board



# Step 17

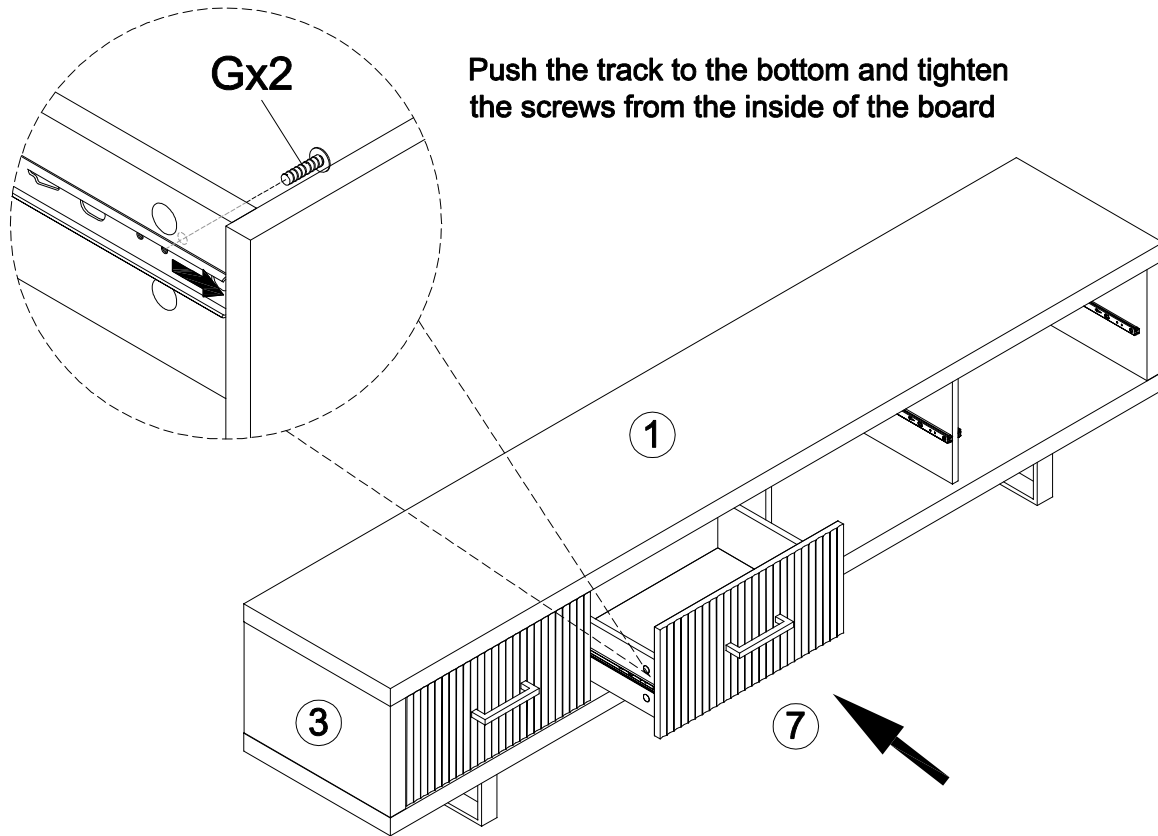
Align the track with the side groove and insert both sides simultaneously



# Step 18

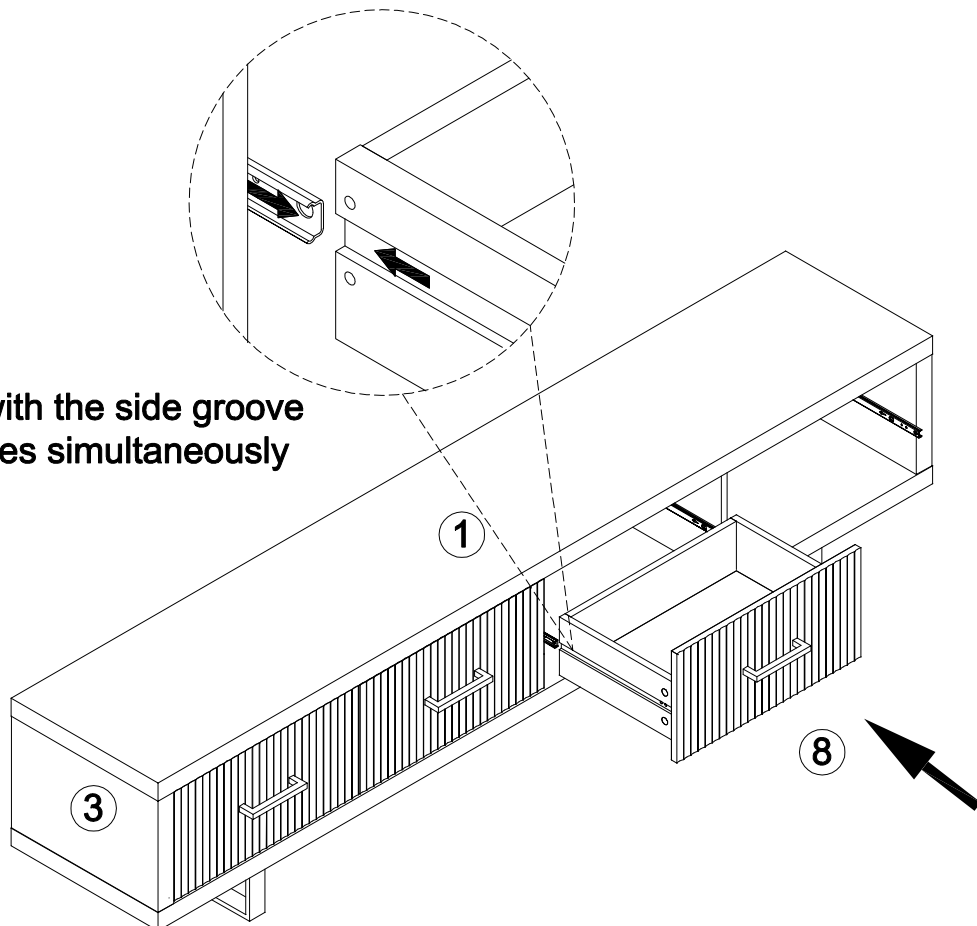
G x 2

Ø4X12mm



# Step 19

Align the track with the side groove and insert both sides simultaneously

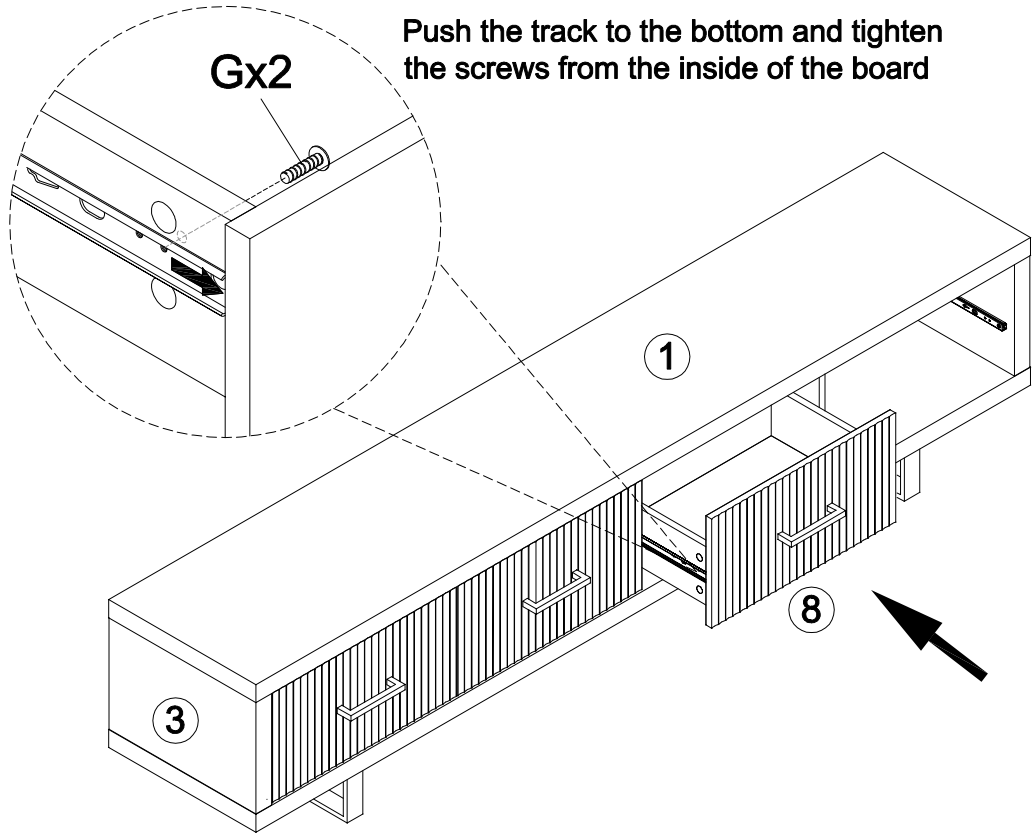


# Step 20

G x 2

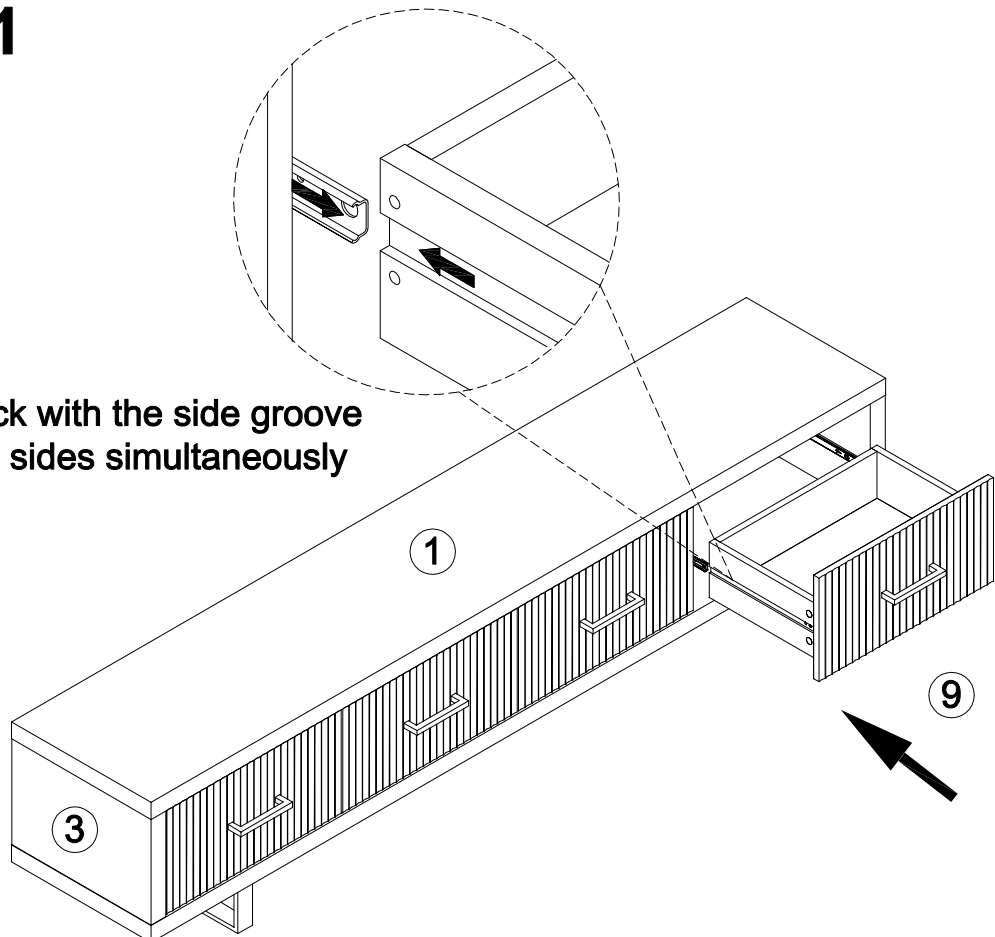
Ø4X12mm

Push the track to the bottom and tighten the screws from the inside of the board



# Step 21

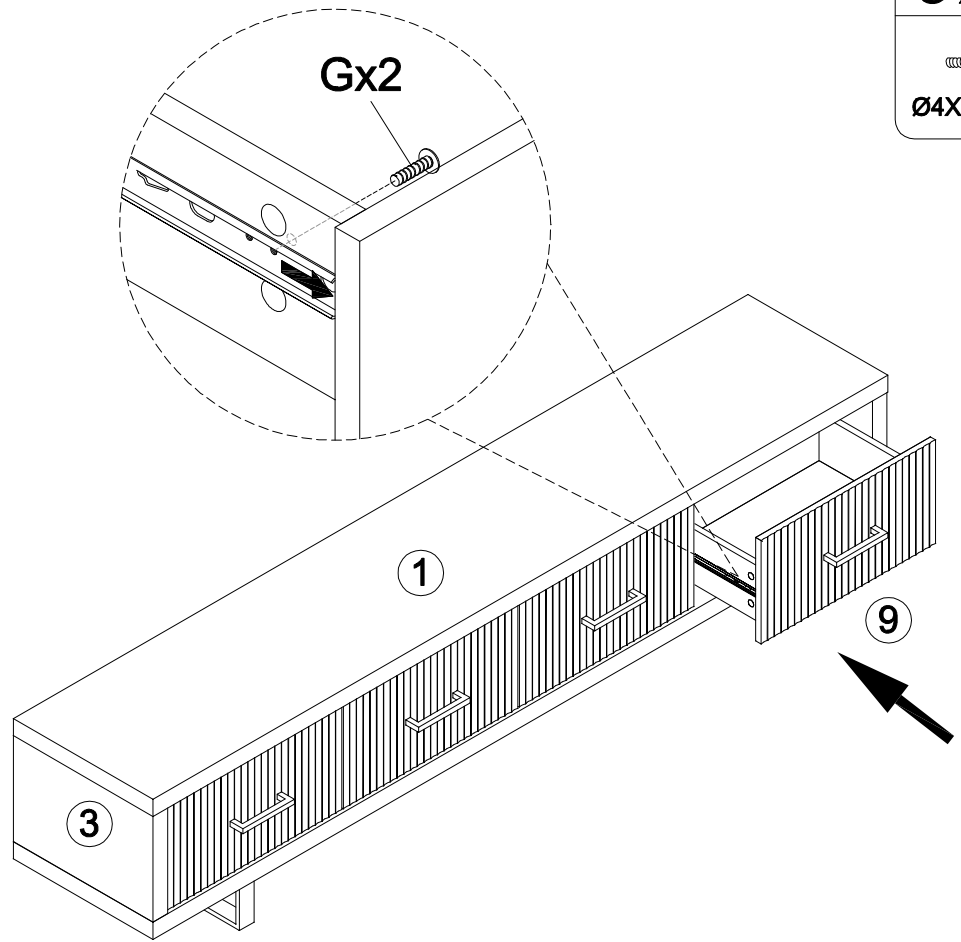
Align the track with the side groove and insert both sides simultaneously



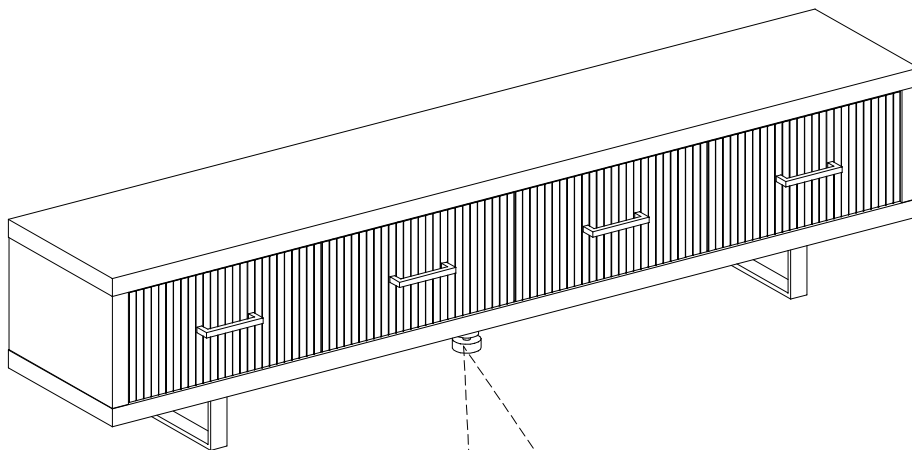
# Step 22

G x 2

Ø4X12mm



# Step 23



Final Assembly