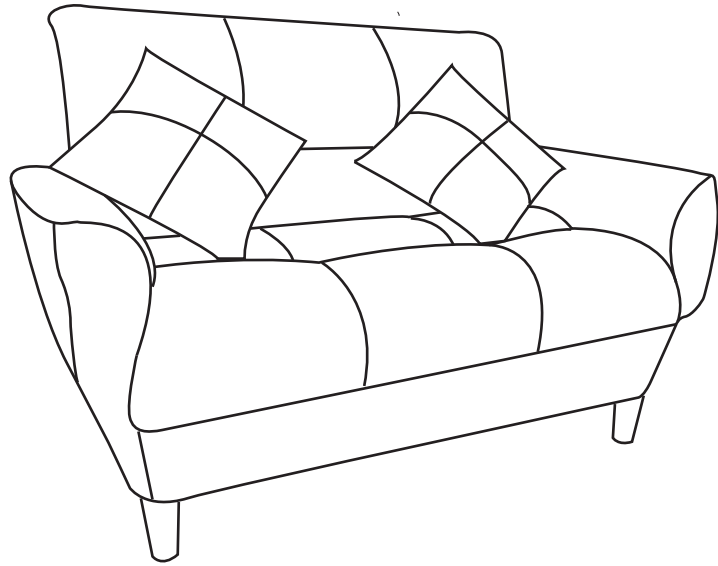
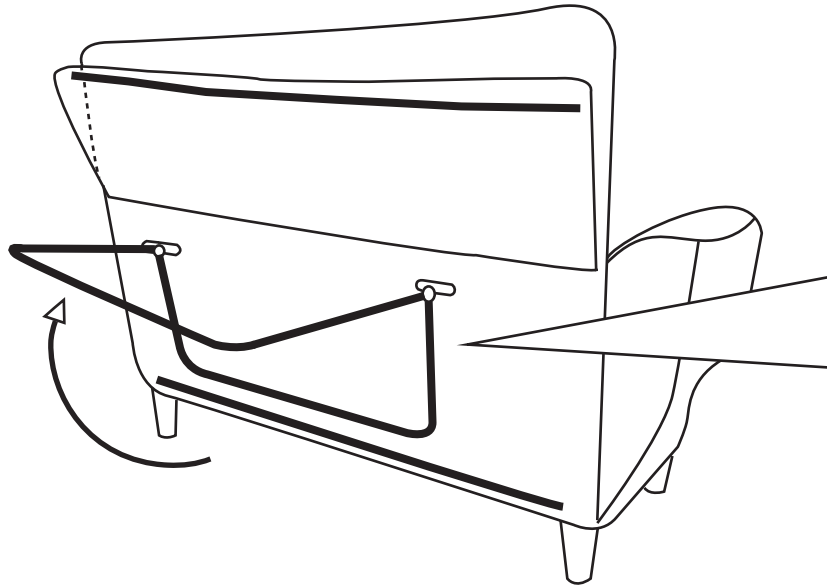
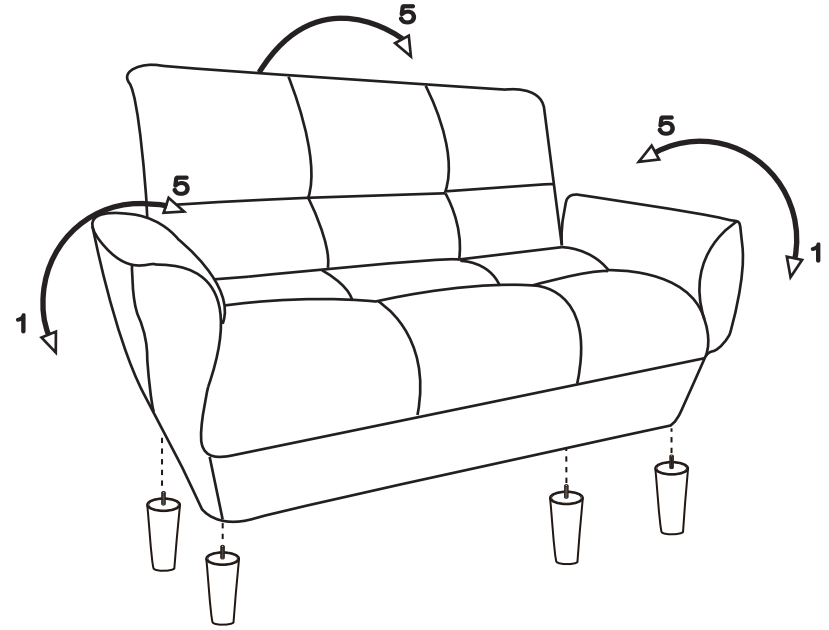


OPERATING INSTRUCTION



The backrest position and the armrest position can be adjusted in five levels



If you want to use it as a sofa bed, please open the back flaffle and unfold the support feet.

