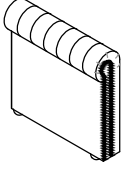
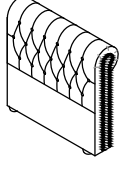
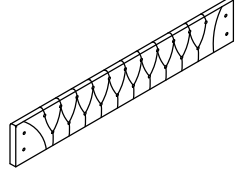
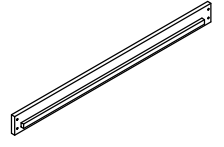
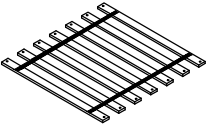


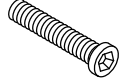

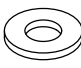


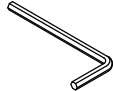
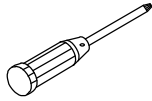
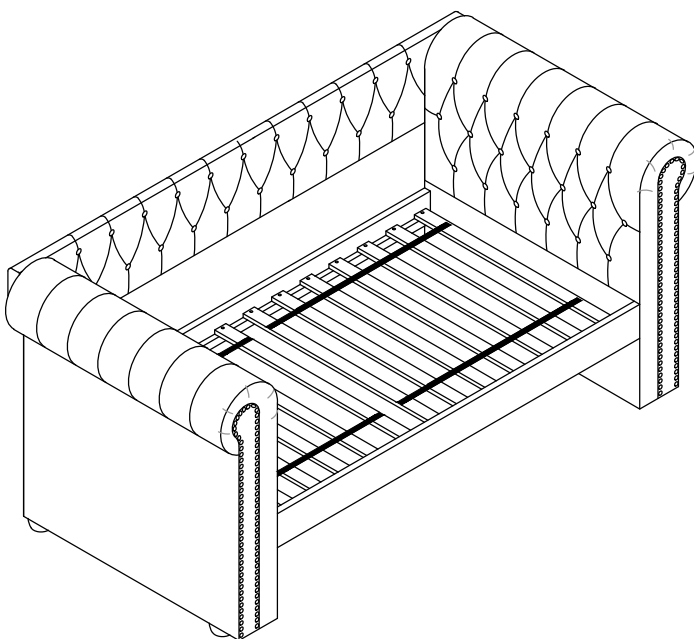


ASSEMBLY INSTRUCTION

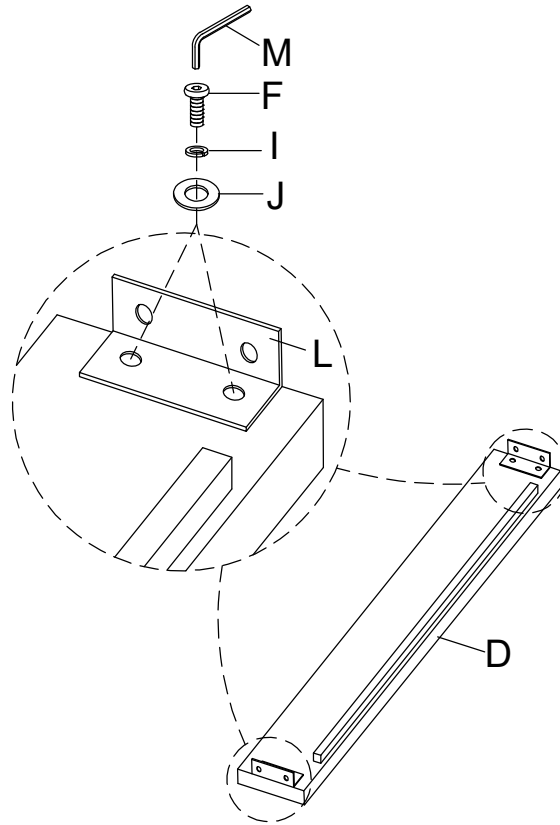
DAYBED

A Left Arm  1pc	B Right Arm  1pc	C Back Rest  1pc	D Front & Back Rail  2pcs
E Slats for Daybed  2pcs	F Bolt M8x20mm 	G Bolt M8x35mm 	H Bolt M8x60mm 
I Lock Washer M8x2mm 	J Flat Washer M8x19x1.0mm 	K Screw M4x25mm 	L Angle Iron 90x45x2.0Tmm 
M Allen Key M5  1pc	N Screwdriver (Not Provided)  1pc		

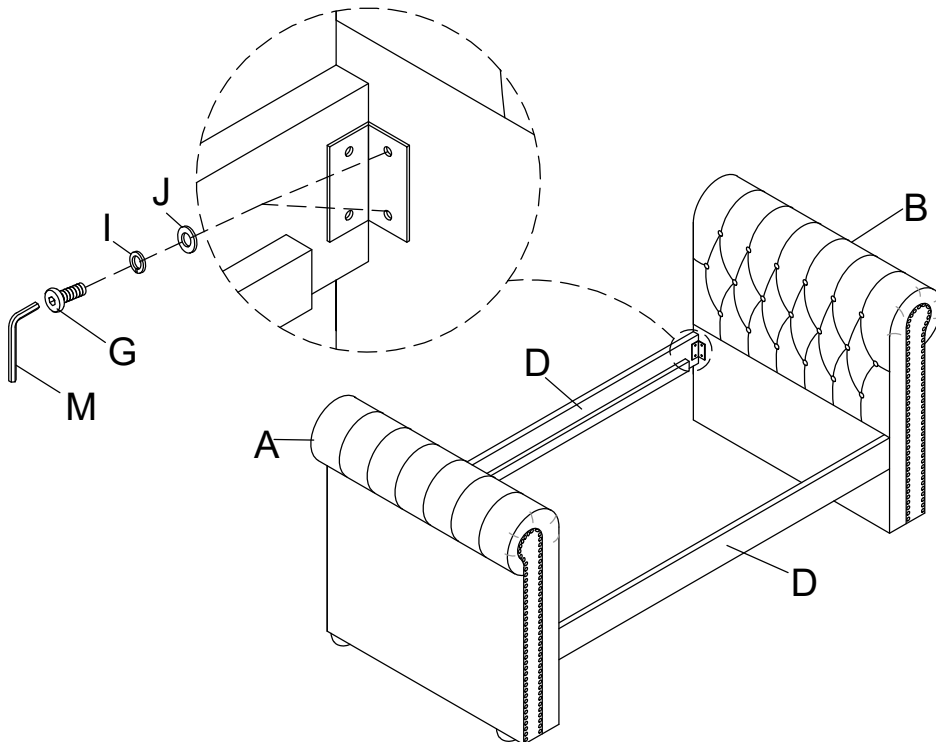


This page lists all the contents included in the box. Please take the time to identify the hardware as well as the individual components to this product. As you unpack and prepare for assembly, place the contents on a carpeted or padded area to protect them from damage.

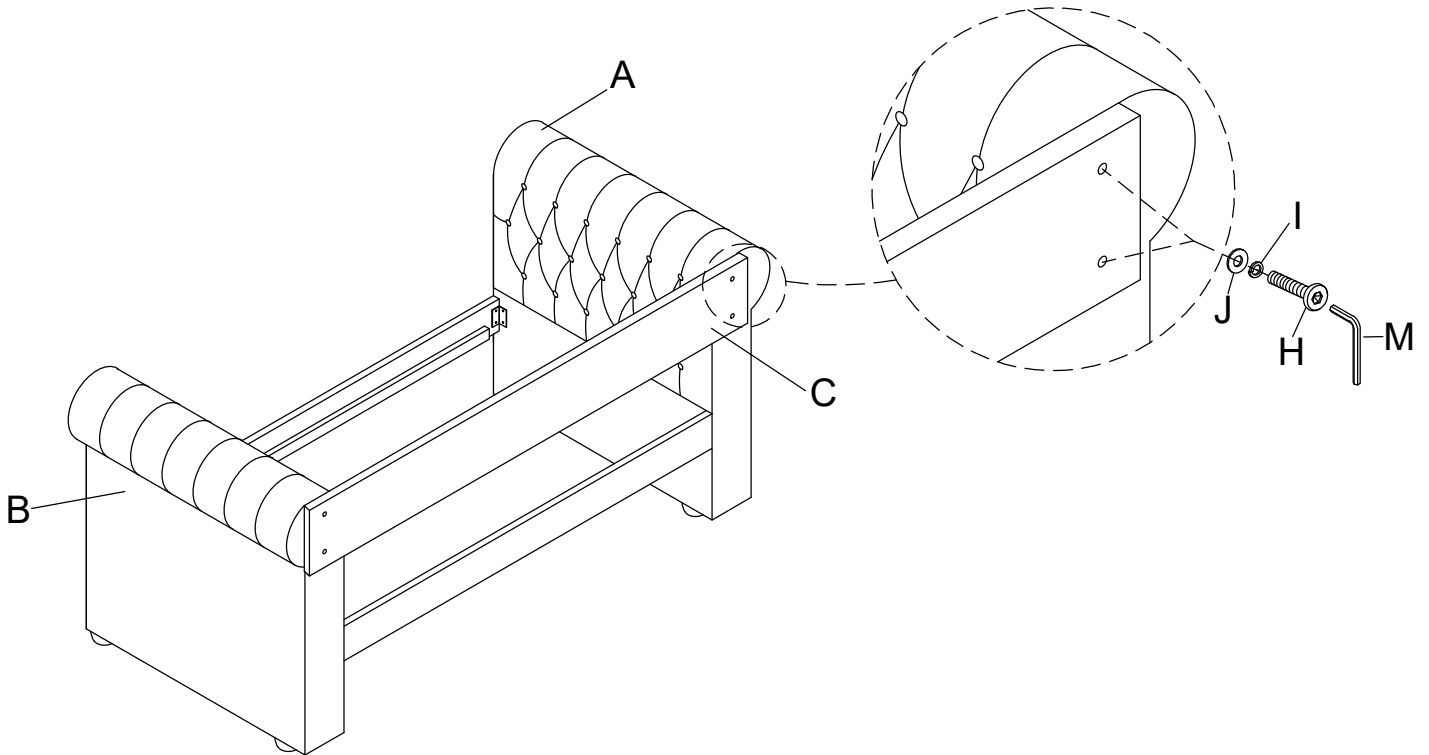
- 1** Attach the Angle Iron (L) to Front & Back Rail (D) using Bolt (F), Lock Washer (I) and Flat Washer (J), then tighten with Allen Key (M).



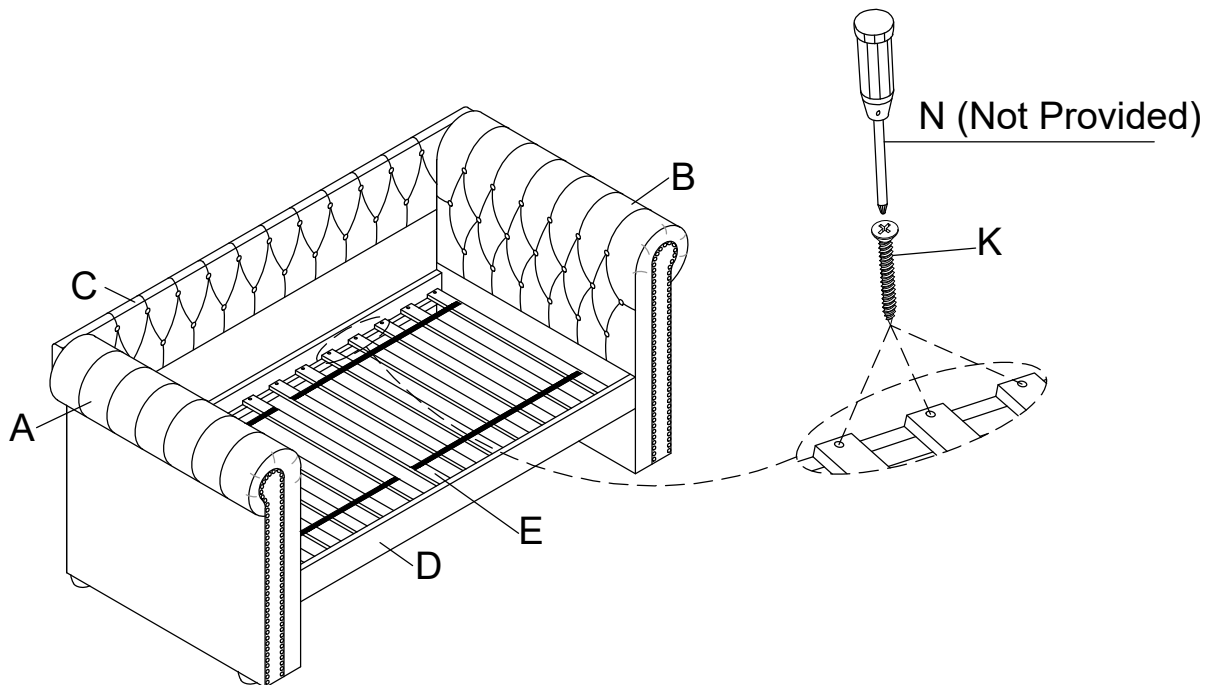
- 2** Attach the Front & Back Rail (D) to Left Arm (A) & Right Arm (B) using Bolt (G), Lock Washer (I) and Flat Washer (J), then tighten with Allen Key (M).



- 3** Attach the Back Rest (C) to Left Arm (A) & Right Arm (B) using Bolt (H), Lock Washer (I) and Flat Washer (J), then tighten with Allen Key (M).



- 4** Attach Slats for Daybed (E) to uniform on the Front & Back Rail (D) using Screw (K) on holes of Slats for Daybed (E), by tighten with Screwdriver (N).



Cleaning & Care

Treat surface with care. Surface is resistant to scratches but is not scratch resistant. Clean surfaces with a dry or damp soft cloth. Do not use abrasive cleaners. Hardware may loosen over time. Periodically check that all connections are tight.