



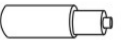
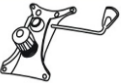


## CARE AND MAINTENANCE

Leather surfaces on our furniture should be dusted regularly with a dry or slightly damp soft cloth. Avoid using saddle soap or other cleaners. Leather desks and tabletops have a lacquer coating, therefore they can be lightly waxed. Suede surfaces should only be cleaned with a dry, stiff brush. Exposure to liquid spills should be avoided since suede cannot be washed or cleaned like leather. 100% Bicast Leather.

## NOTICE

- \* Please make sure that you have all parts indicated before you begin assembly of this item
- \* This item should be assembled on a soft surface to prevent scratching the finish during assembly
- \* This item may require periodic tightening

### Part List and Hardware List

PIECE	DESCRIPTION	PICTURE	QUANTITY
A	FIVE-STAR BASE		1X
B	WHEEL		5X
C	GASLIFT		1X
D	PALLET		1X
E	SEAT		1X
F	SCREW	 M6*14	4X

## PREPARATION

Before beginning assembly of product, make sure all parts are present. Compare parts with package contents list and

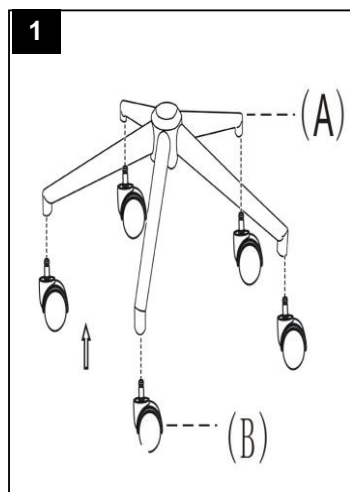
Product Dimensions: 21.5" W x 25.5" D x 32.2-35.5" H



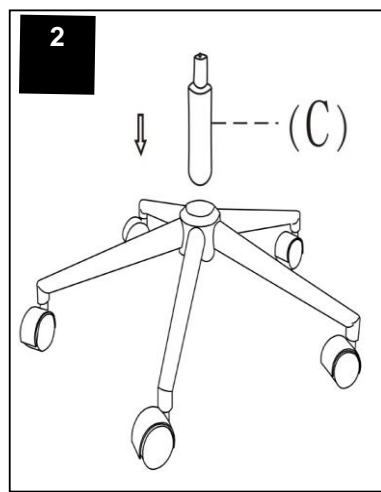
hardware contents list.

If any part is missing or damaged, do not attempt to assemble the product.

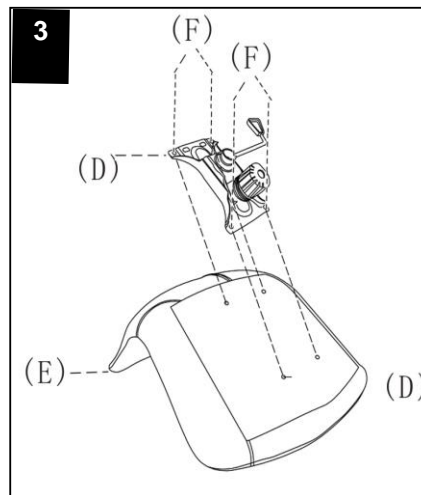
Estimated Assembly Time: 10 minutes.



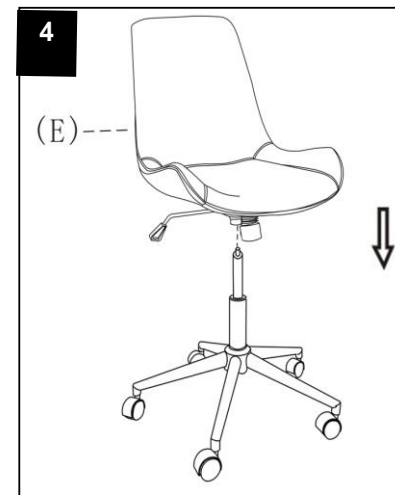
**Step 1**  
Put the wheels(B) into the Five-star base(A)  
as the attached picture



**Step 2**  
Pls notice to take off the gaslift first,  
then put the gaslift(C) into  
the Five-star base(A)



**Step 3**  
Put the Screw(F) to assemble the  
Pallet(D) into the Seat(E)



**Step 4**  
Put the seat(E) with Pallet(F) in  
the gaslift(C) and Five-star base(A)  
Then finish all the steps