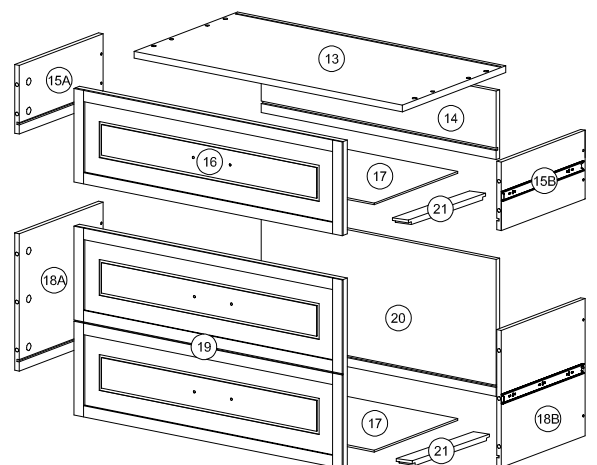
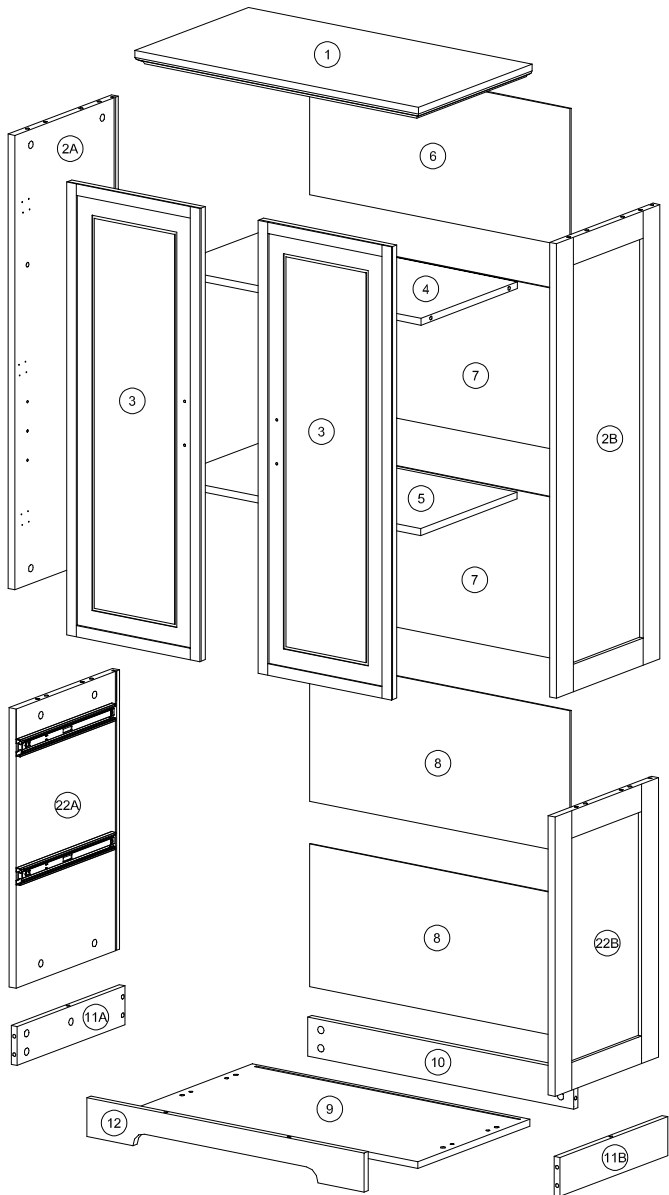


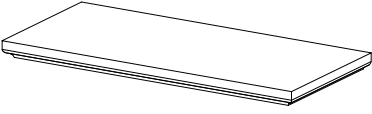
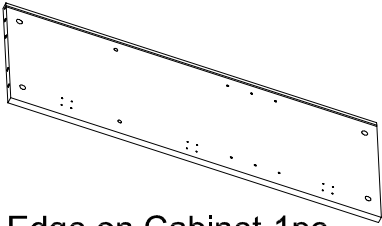
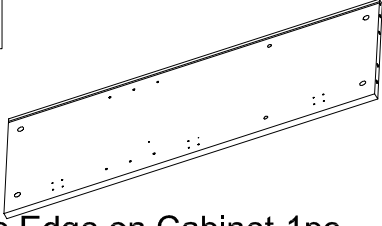
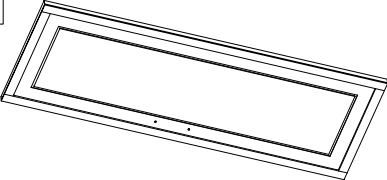
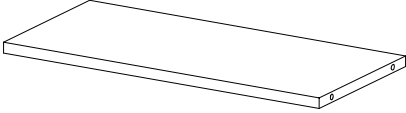
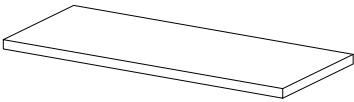
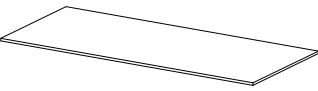

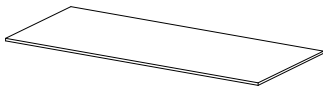

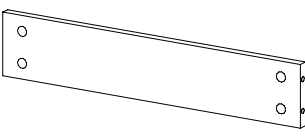
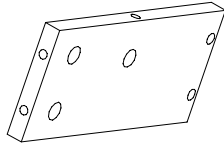
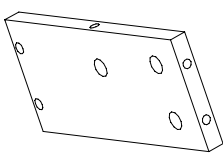
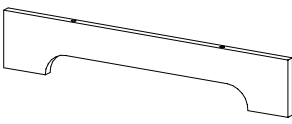
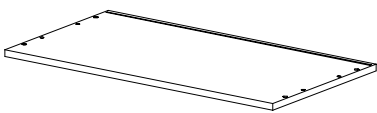
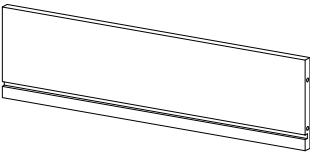
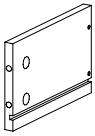
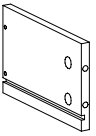
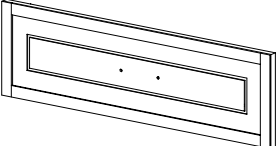
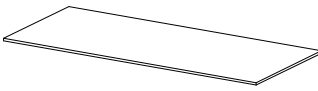
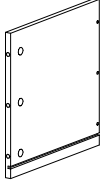
# ASSEMBLY INSTRUCTION



# ASSEMBLY INSTRUCTION

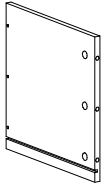


# Part List

<p><b>1</b></p>  <p>The Top of The Cabinet-1pc</p>	<p><b>2A</b></p>  <p>Hip Edge on Cabinet-1pc</p>	<p><b>2B</b></p>  <p>Hip Edge on Cabinet-1pc</p>
<p><b>3</b></p>  <p>Cabinet Wings-2pcs</p>	<p><b>4</b></p>  <p>Fixed Shelves-1pc</p>	<p><b>5</b></p>  <p>Moving Shelves-1pc</p>
<p><b>6</b></p>  <p>Panel- 1pc</p>	<p><b>7</b></p>  <p>Panel- 2pcs</p>	<p><b>8</b></p>  <p>Panel- 2pcs</p>
<p><b>9</b></p>  <p>Cabinet Bottom-1pc</p>	<p><b>10</b></p>  <p>Short bar - 1pc</p>	<p><b>11A</b></p>  <p>Short bar - 1pc</p>
<p><b>11B</b></p>  <p>Short bar - 1pc</p>	<p><b>12</b></p>  <p>Short bar - 1pc</p>	<p><b>13</b></p>  <p>Cabinet Diving Plate-1pc</p>
<p><b>14</b></p>  <p>Drawer-Back Panels-1pc</p>	<p><b>15A</b></p>  <p>Drawer-Side Panels-1pc</p>	<p><b>15B</b></p>  <p>Drawer-Side Panels-1pc</p>
<p><b>16</b></p>  <p>Drawer-Front Panels-1pc</p>	<p><b>17</b></p>  <p>Panel- 2pcs</p>	<p><b>18A</b></p>  <p>Drawer-Side Panels-1pc</p>

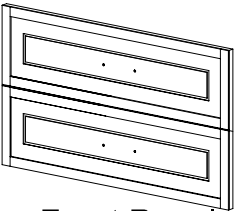
# Part List

18B



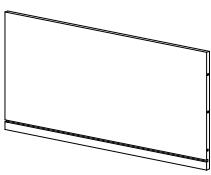
Drawer-Side Panels-1pc

19



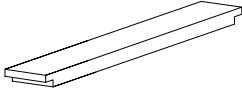
Drawer-Front Panels-1pc

20



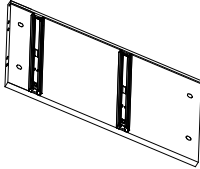
Drawer-Back Panels-1pc

21



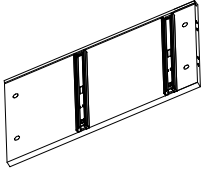
Drawers-Support Bottom - 2pcs

22A



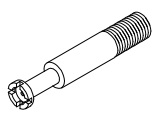
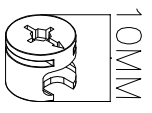
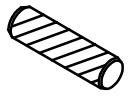
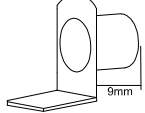
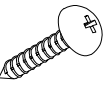
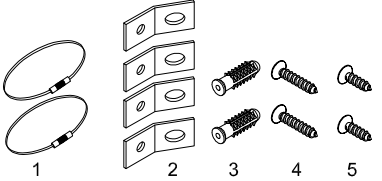
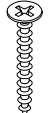
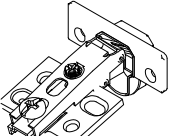
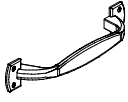
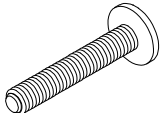
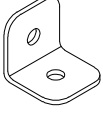

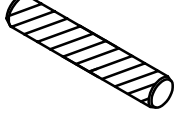
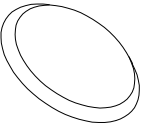

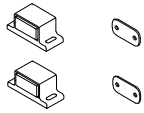
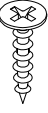
Hip Edge Under The Cabinet-1pc

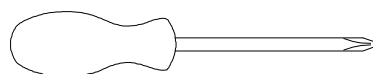
22B



Hip Edge Under The Cabinet-1pc

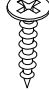
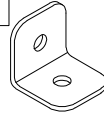
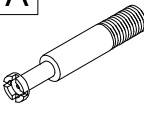

# Hardware List

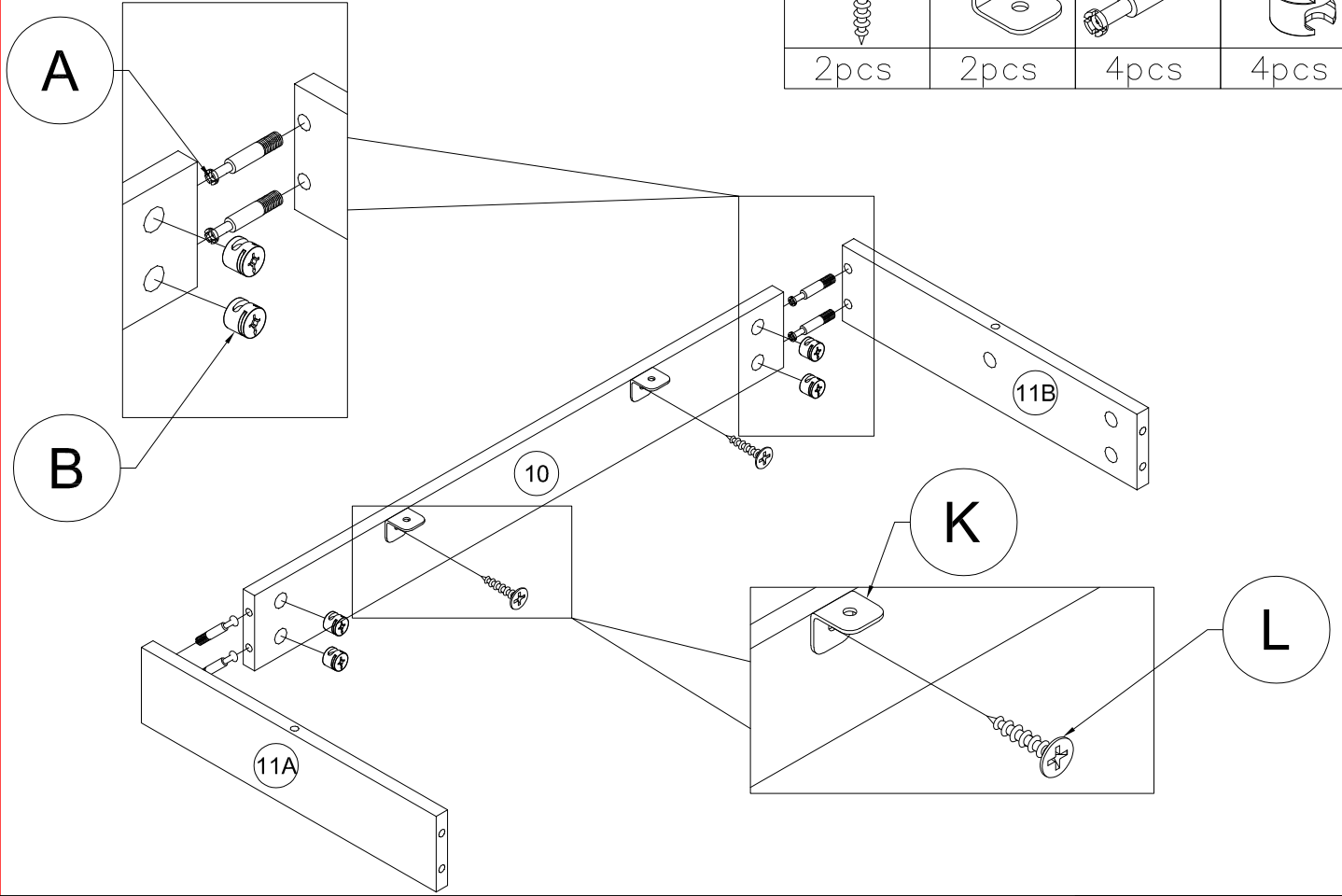
<p><b>A</b></p>  <p>Link 1 - 42pcs</p>	<p><b>B</b></p>  <p>Link 2- 10mm - 30pcs</p>	<p><b>C</b></p>  <p>Ø8 x 30 mm Wood dowel 8pcs</p>
<p><b>D</b></p>  <p>Support Pin 4pcs</p>	<p><b>E</b></p>  <p>M4 x 20 mm Wood Screws 26pcs</p>	<p><b>F</b></p>  <p>Wall brackets 1set</p>
<p><b>G</b></p>  <p>#4 x 30 mm Wood Screws 10pcs</p>	<p><b>H</b></p>  <p>Hinge - 6pcs</p>	<p><b>I</b></p>  <p>Cabinet Door - 5pcs</p>
<p><b>J</b></p>  <p>M4 x 18mm Hex-Head bolts 10pcs</p>	<p><b>K</b></p>  <p>Iron Steel 2pcs</p>	<p><b>L</b></p>  <p>#4 x 15 mm Wood Screws 40pcs</p>
<p><b>M</b></p>  <p>Ø8 x 60 mm Wood dowel 4pcs</p>	<p><b>N</b></p>  <p>Plastic button 8pcs</p>	<p><b>R</b></p>  <p>Link 2- 12mm - 12pcs</p>
<p><b>P</b></p>  <p>Magnets 1 set</p>	<p><b>O</b></p>  <p>#3.5 x 12 mm Wood Screws 8pcs</p>	



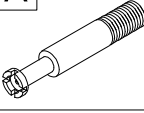

Assembly Tools Required (Not Included)

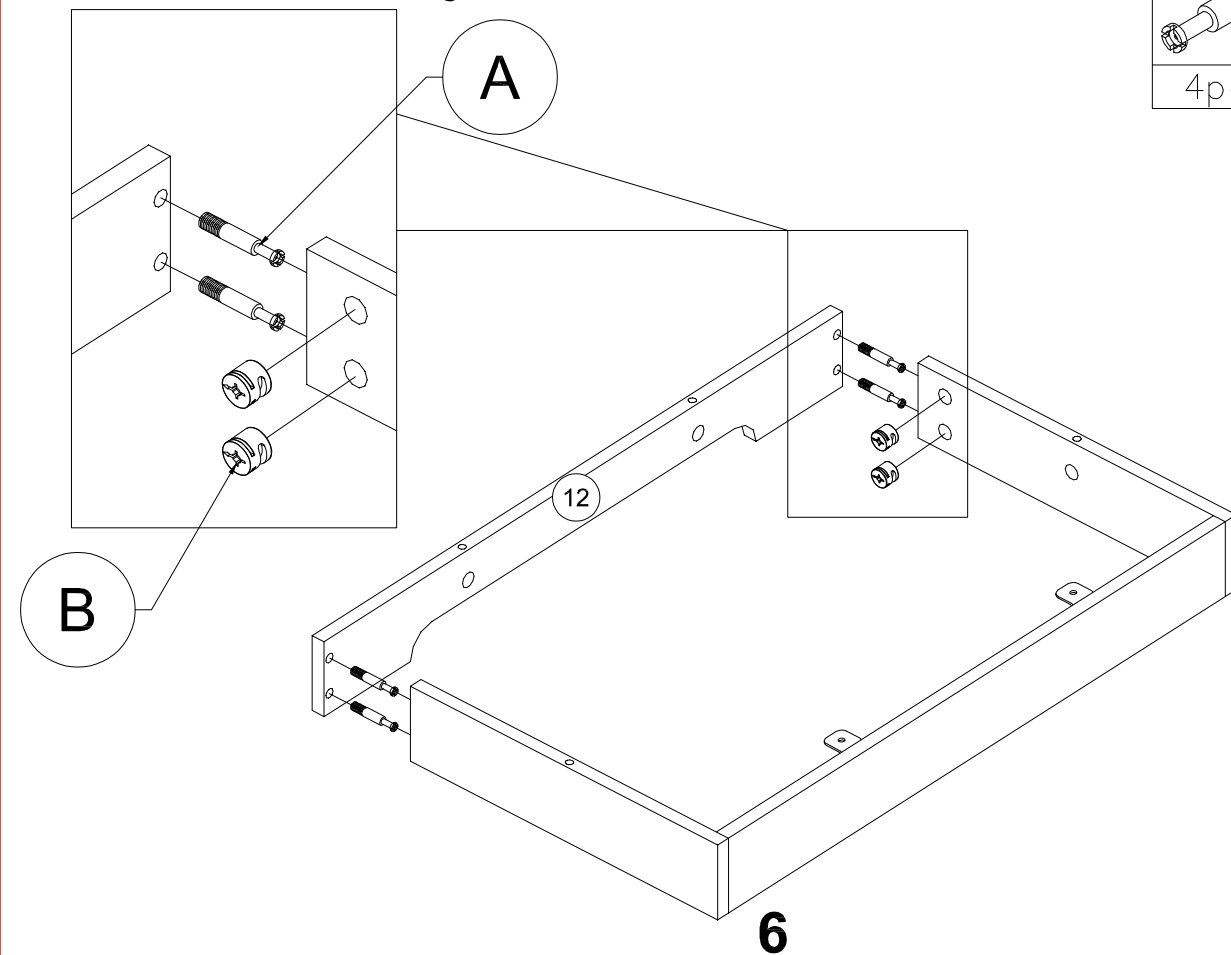
# STEP 1.1: Following below illustration:

L	K	A	B
			
2pcs	2pcs	4pcs	4pcs


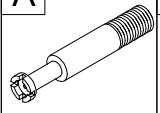



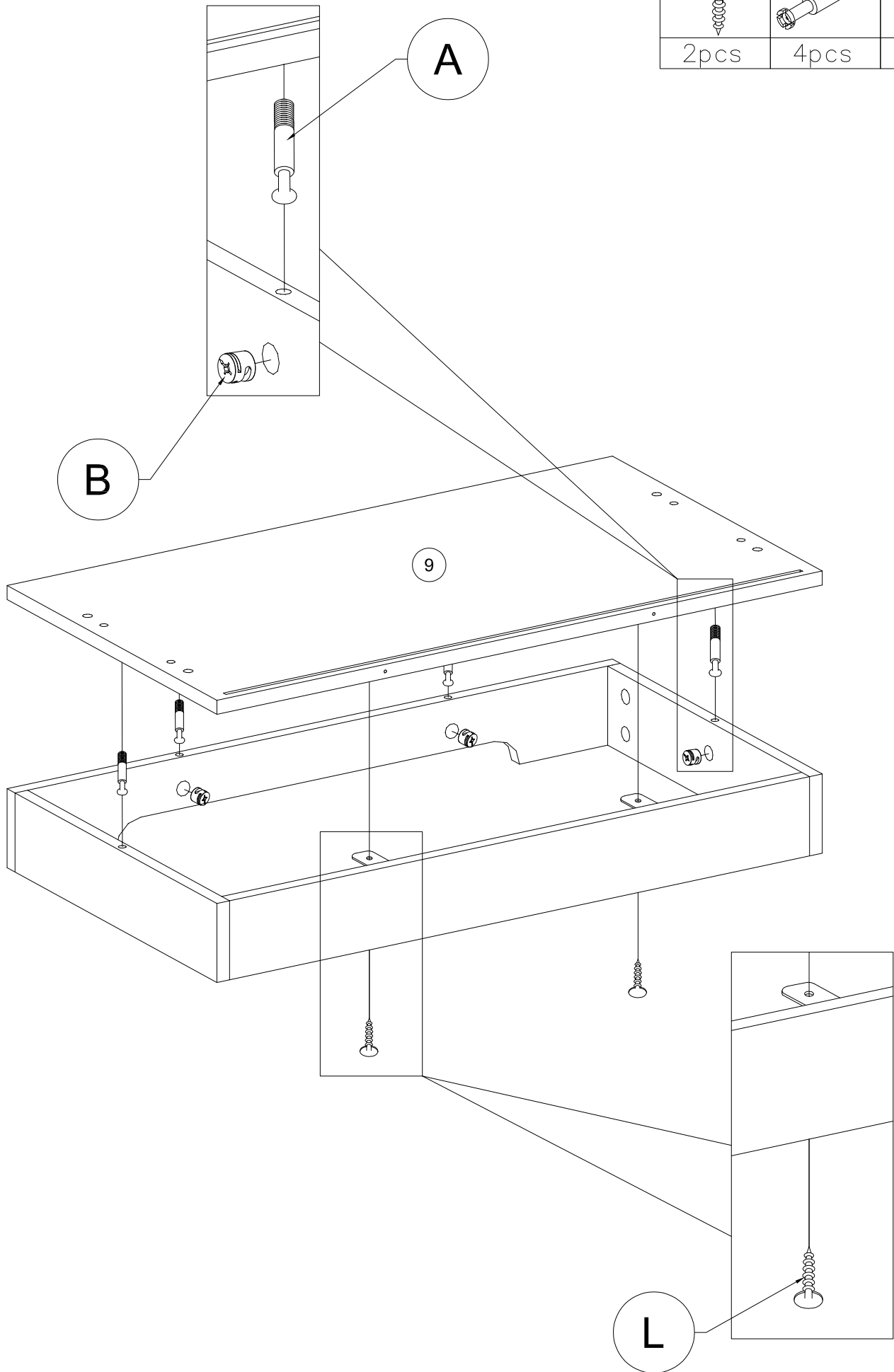
# STEP 1.2: Following below illustration:

A	B
	
4pcs	4pcs

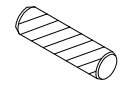
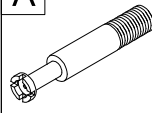
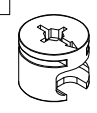


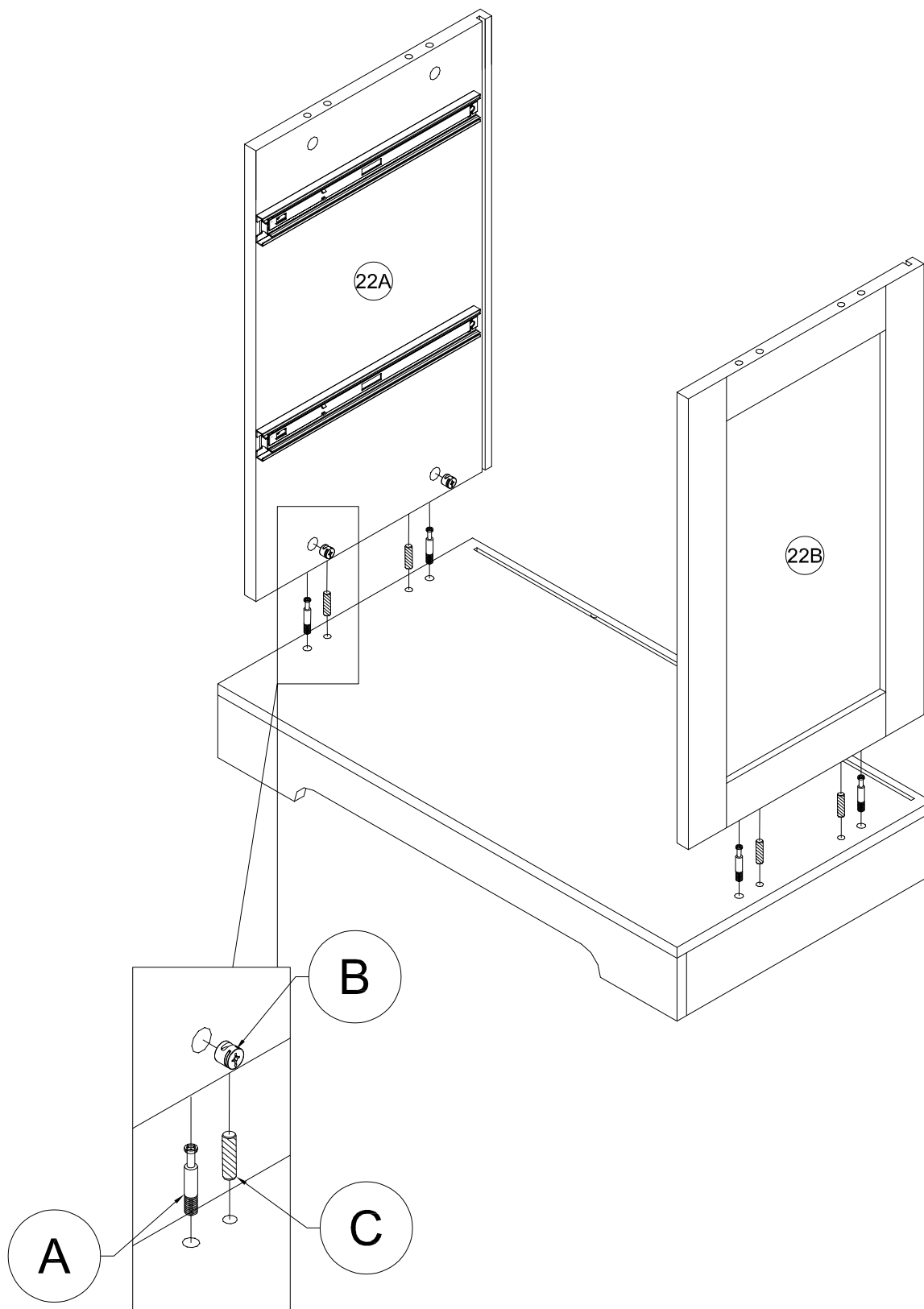
# STEP 2: Following below illustration:

L	A	B
		
2pcs	4pcs	4pcs

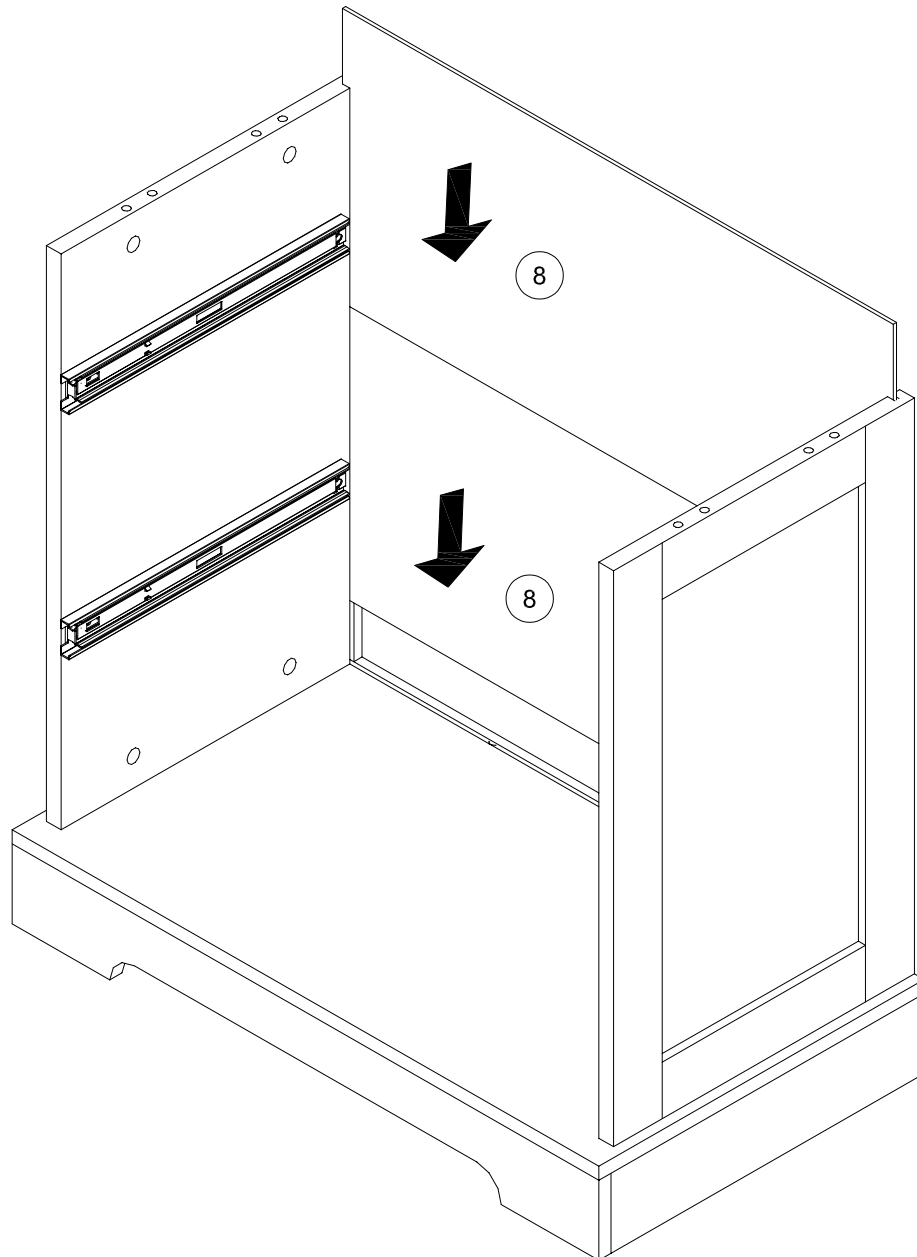


# STEP 3: Following below illustration:

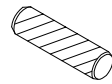
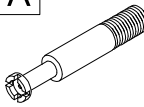

<b>C</b> 	<b>A</b> 	<b>B</b> 
4pcs	4pcs	4pcs

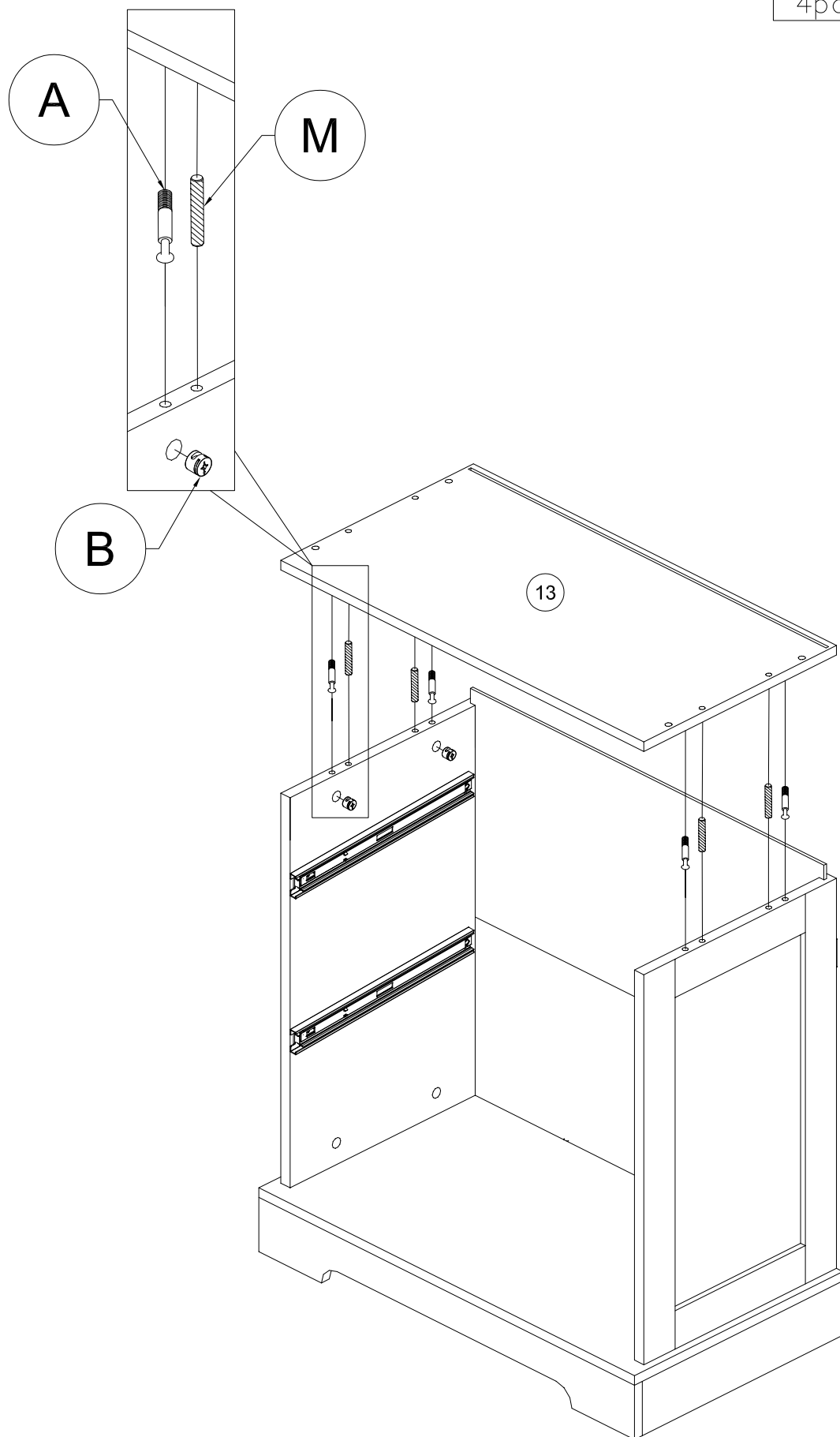


**STEP 4:** Following below illustration:



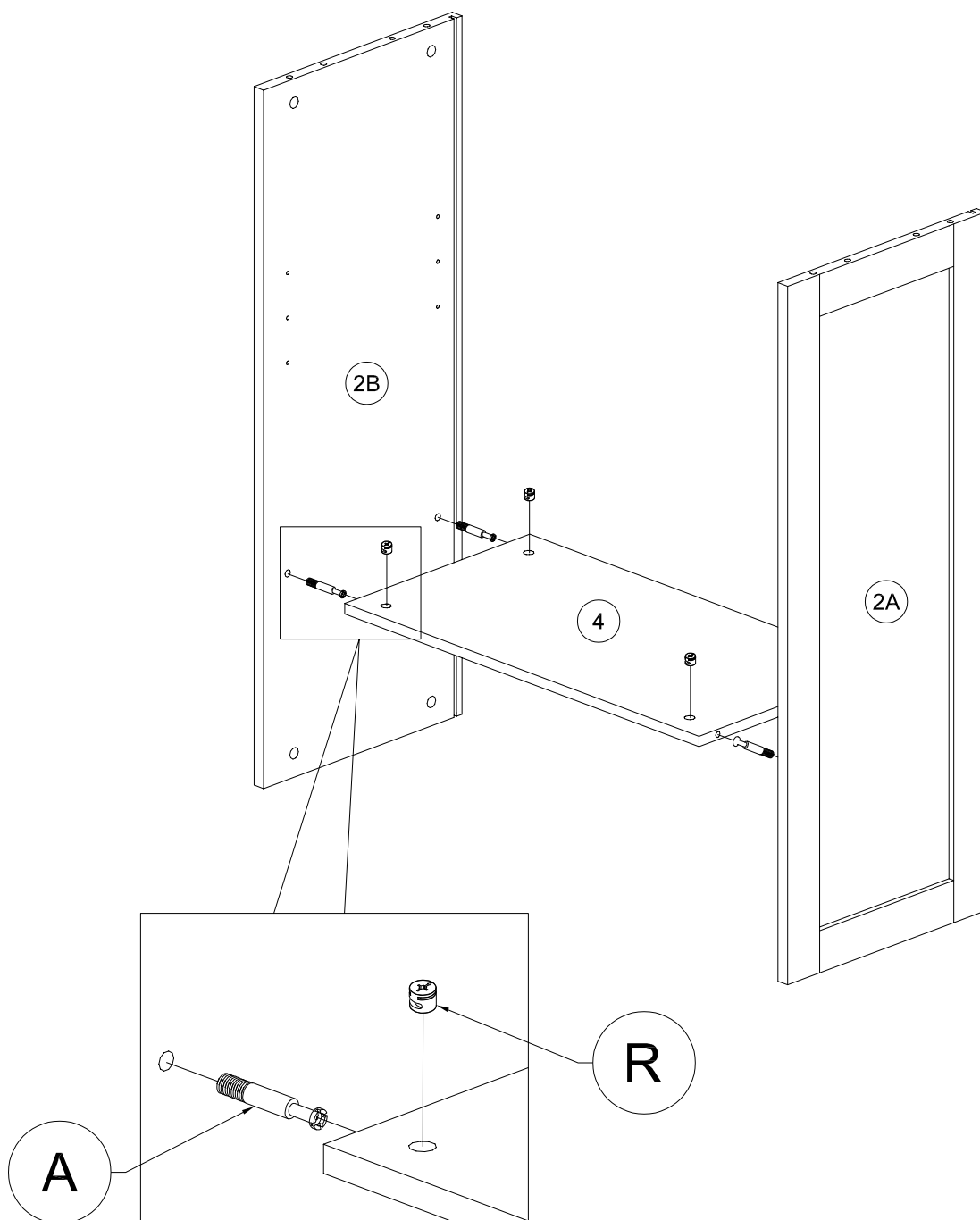
# STEP 5: Following below illustration:

M	A	B
		
4pcs	4pcs	4pcs

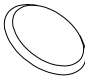
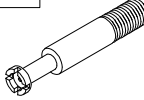



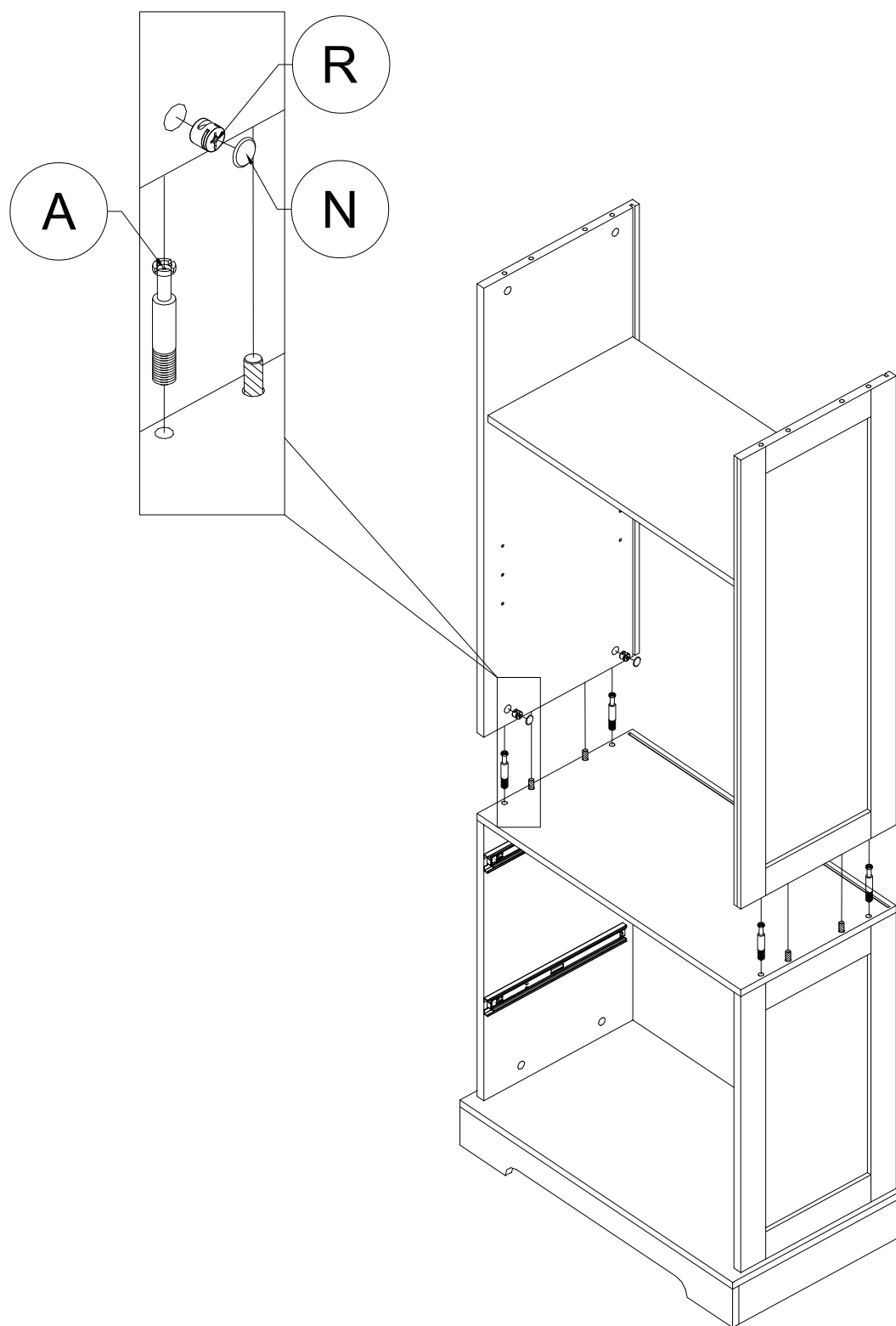
# STEP 6: Following below illustration:

A	R
4pcs	4pcs

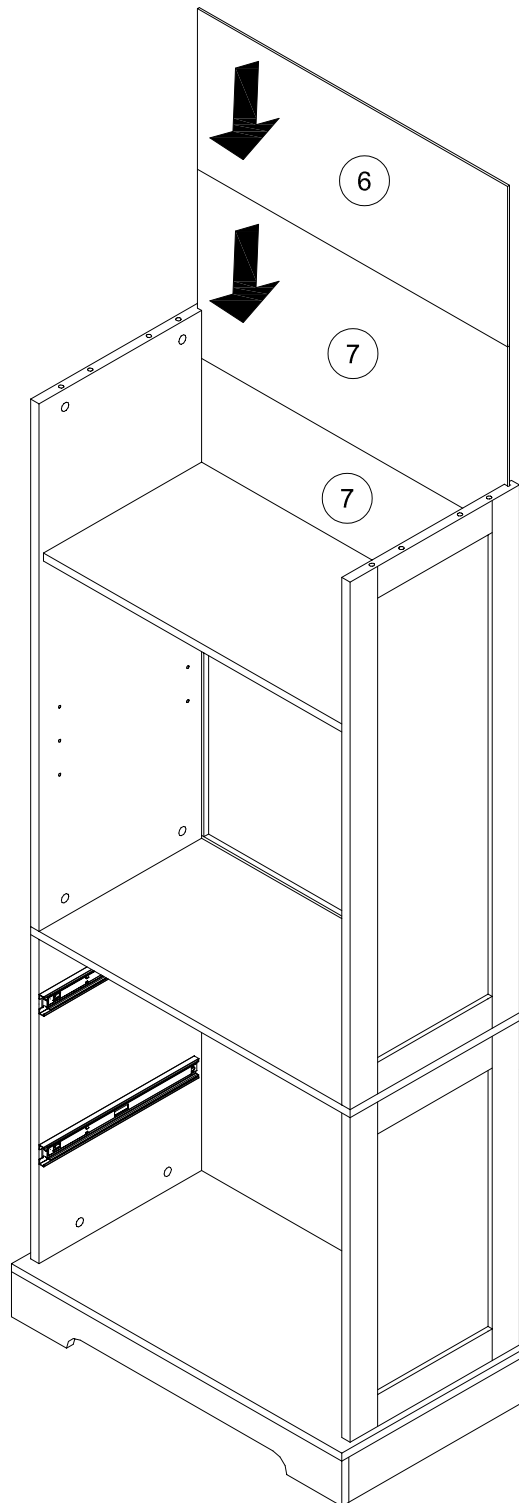


# STEP 7: Following below illustration:

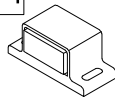

N	A	R
		
4pcs	4pcs	4pcs

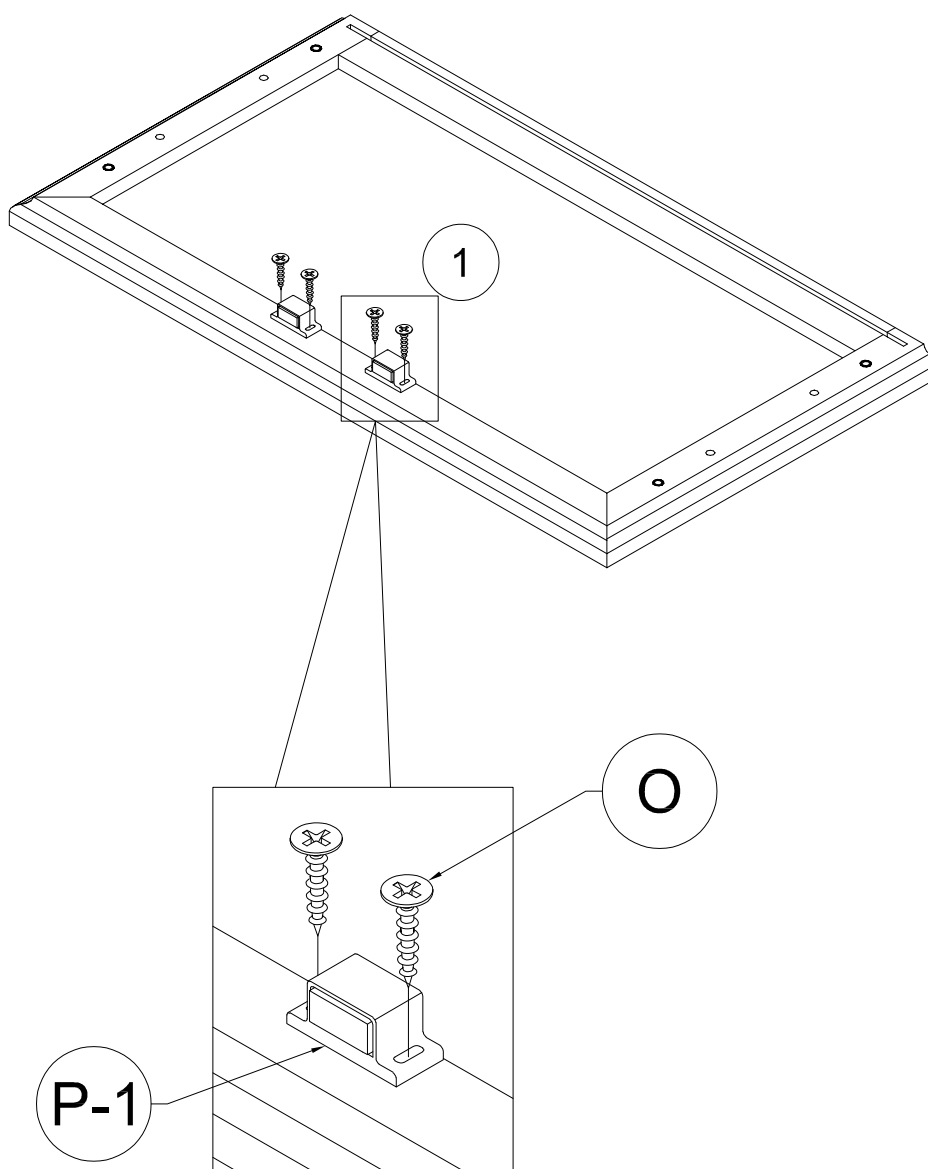


**STEP 8:** Following below illustration:

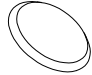
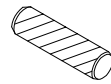
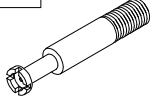



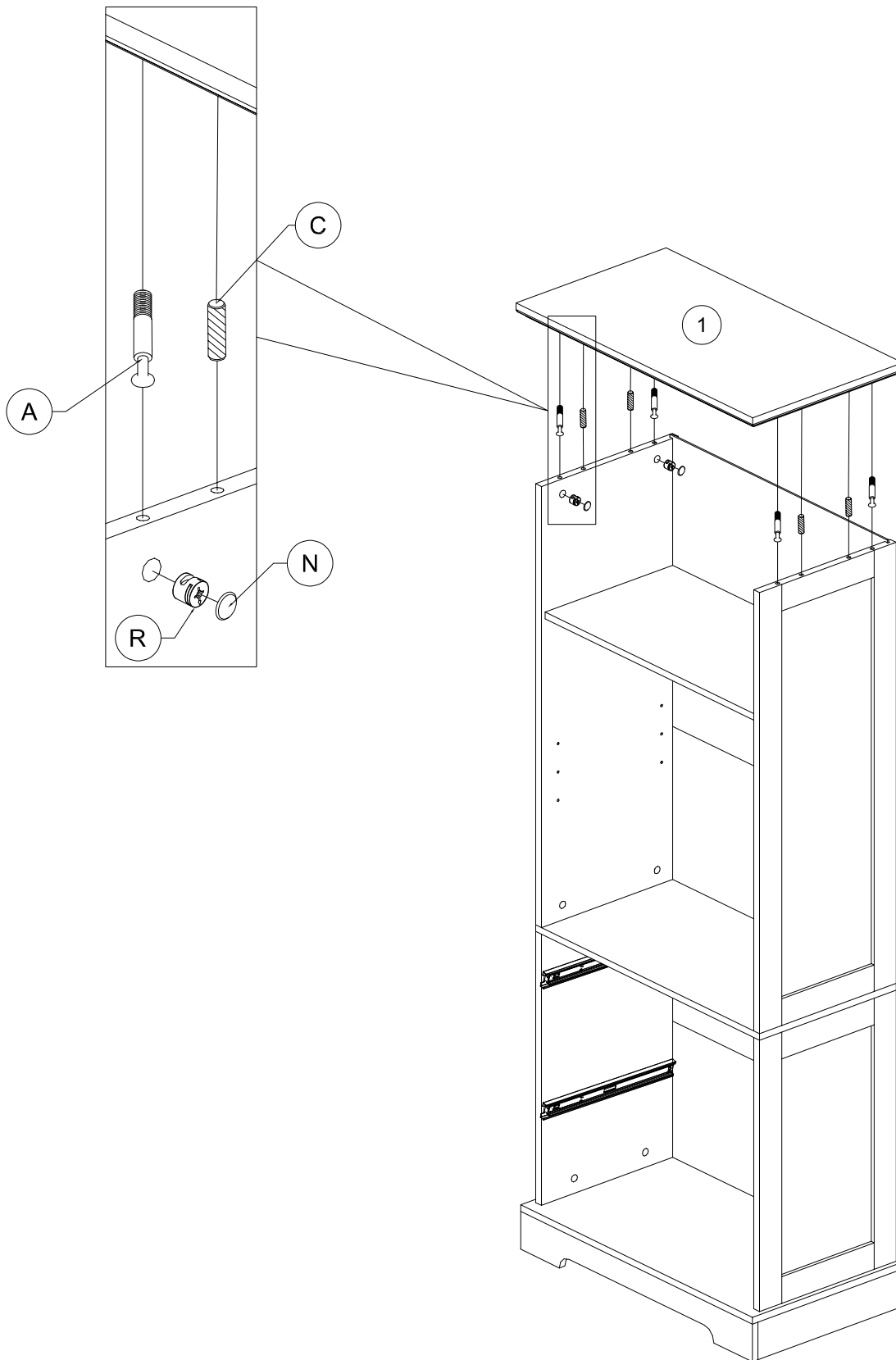
# STEP 9: Following below illustration:

P-1		O	
2pcs		4pcs	

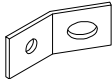

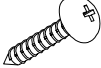


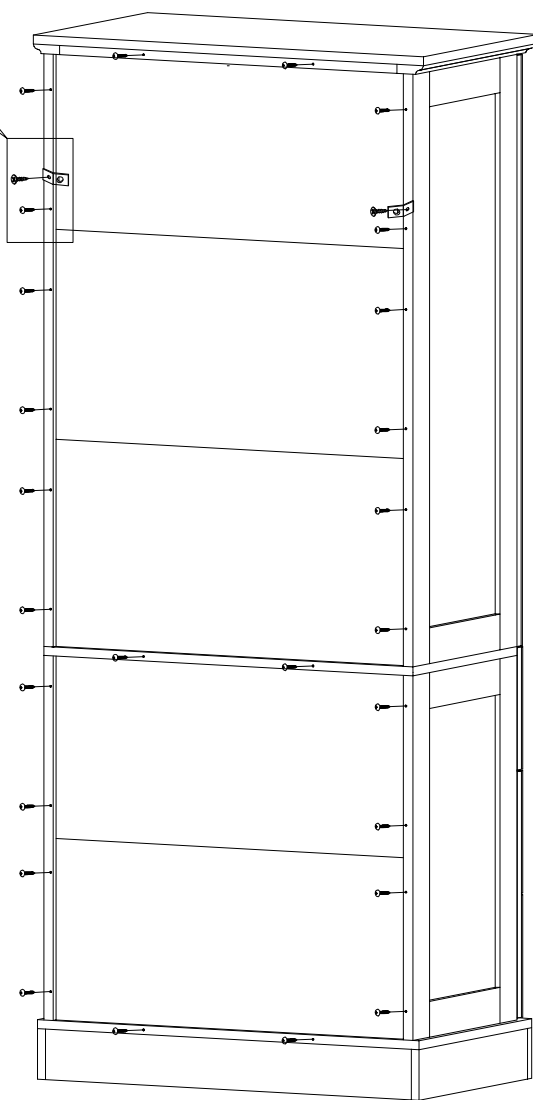
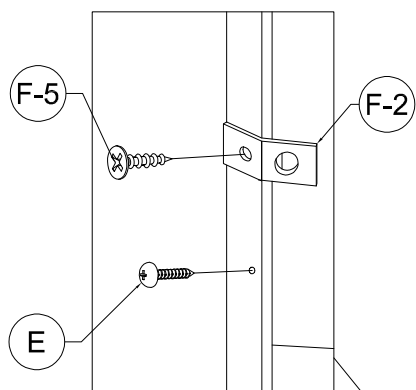
# STEP 10: Following below illustration:

<b>N</b>	<b>C</b>	<b>A</b>	<b>R</b>
			
4pcs	4pcs	4pcs	4pcs



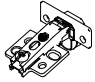



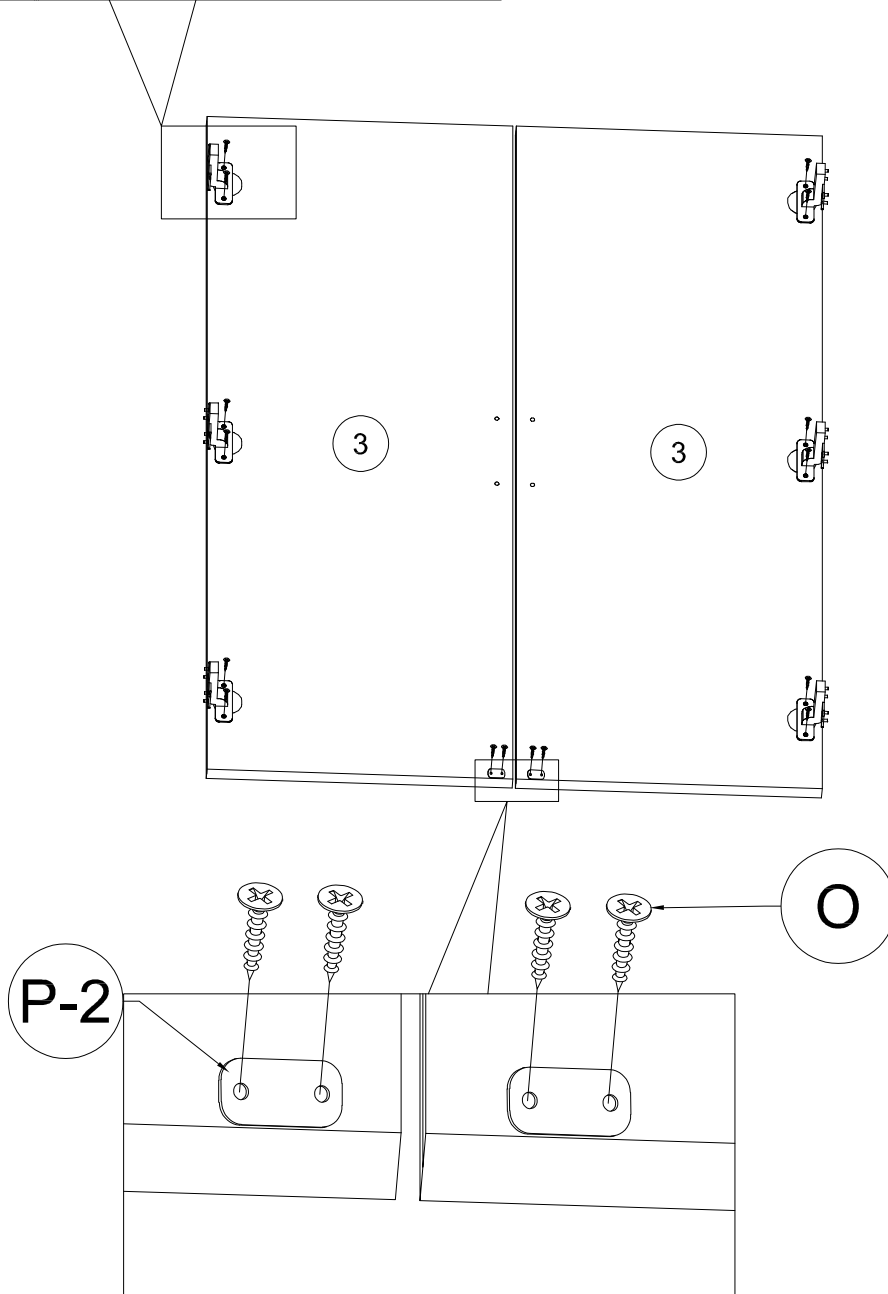
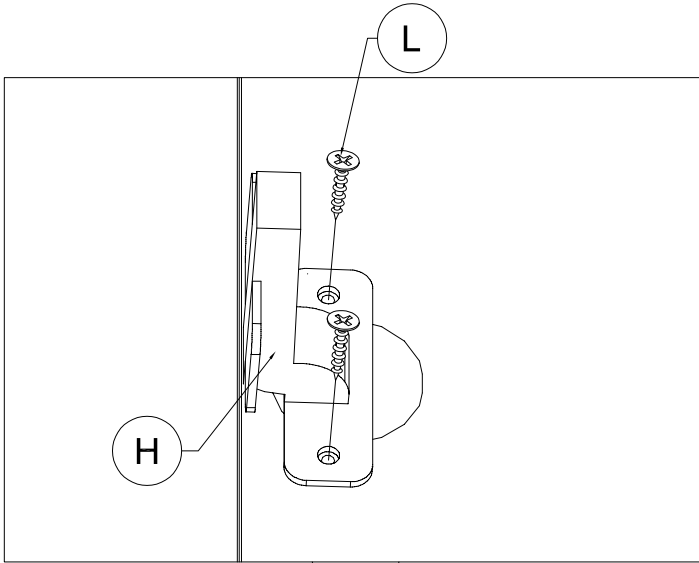
# STEP 11: Following below illustration:

F-2	F-5	E
		
2pcs	2pcs	26pcs



# STEP 12: Following below illustration:

P-2	O	H	L
			
2pcs	4pcs	6pcs	12pcs

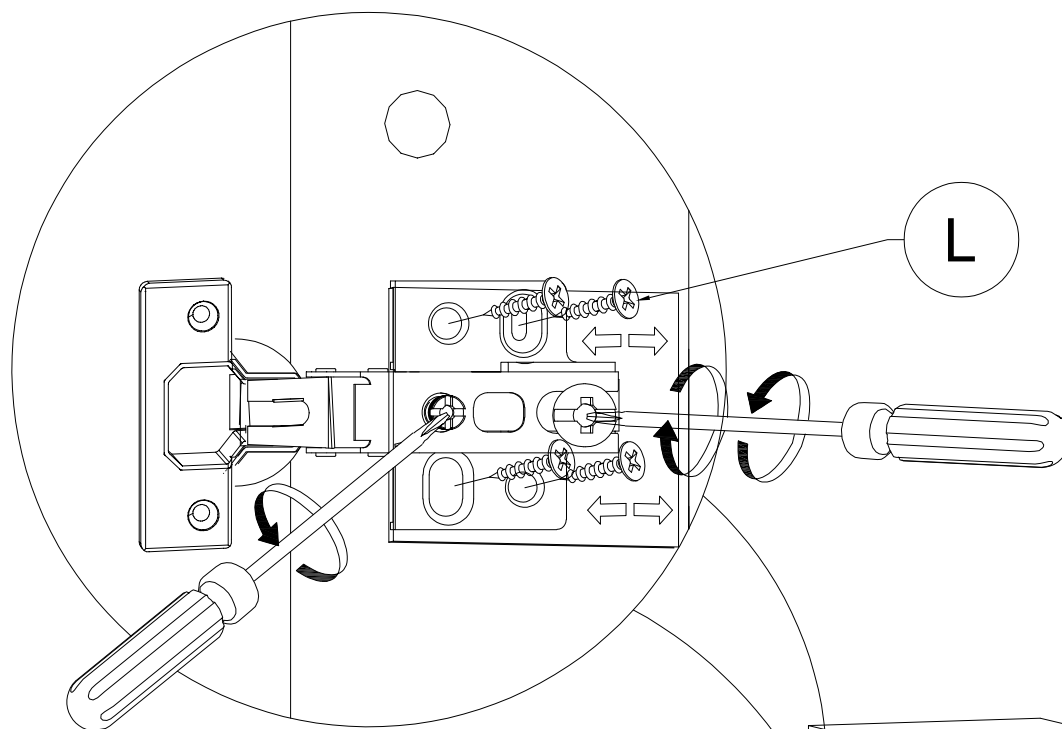


# STEP 13: Following below illustration:

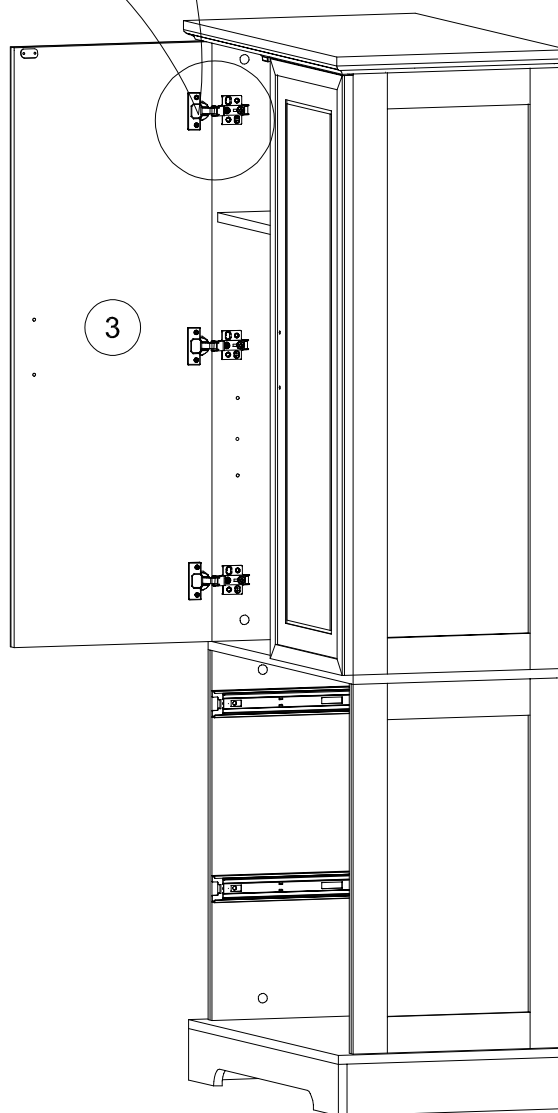
L



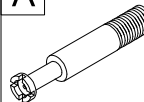

24pcs

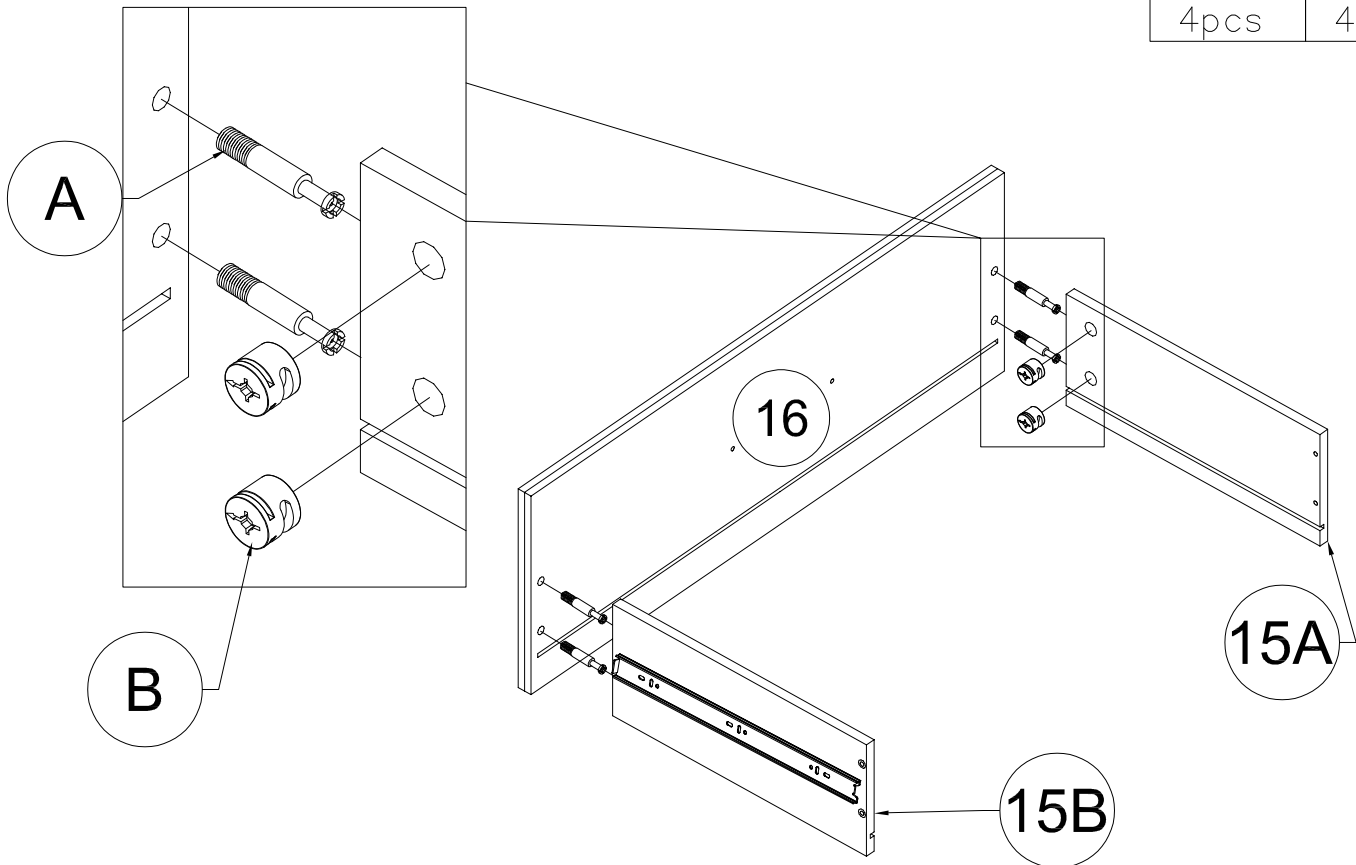


Scan the QR code to adjust the cabinet door clearance as desired.

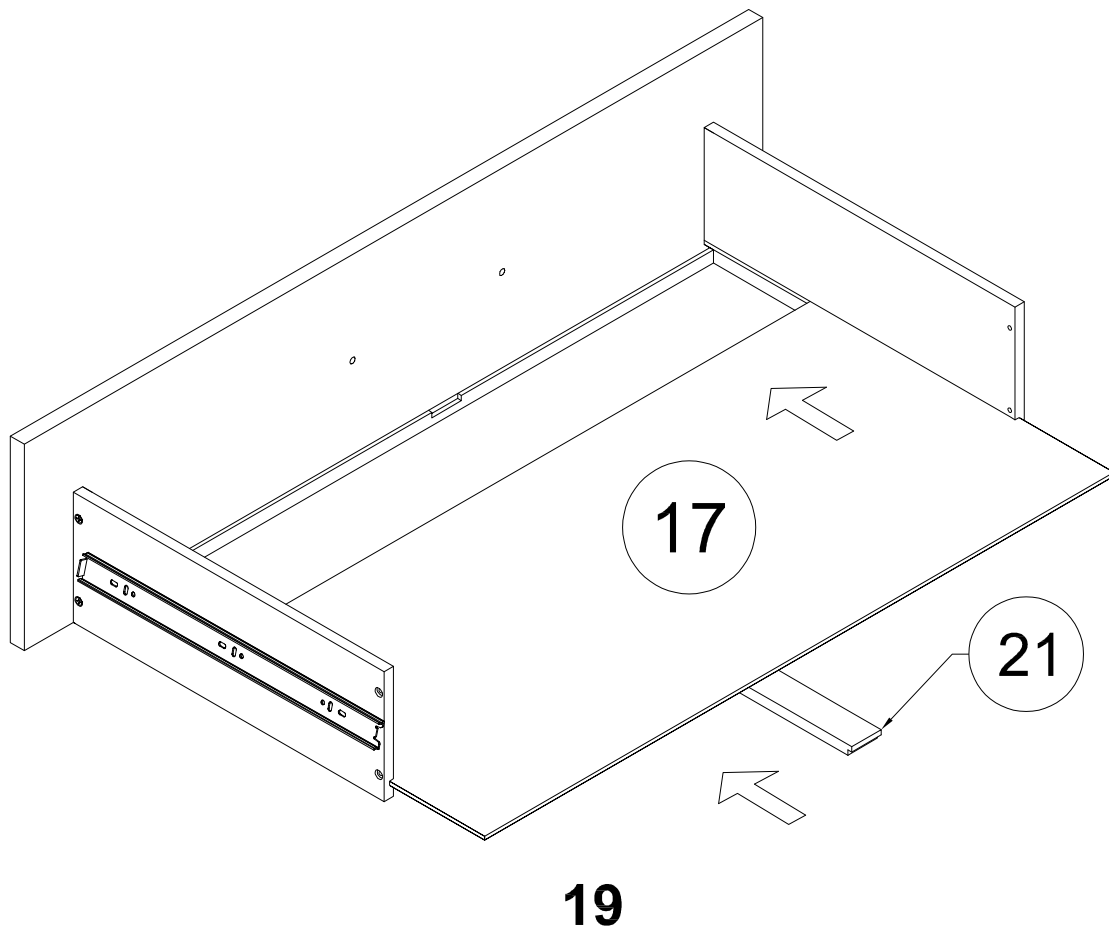


# STEP 14.1: Following below illustration:

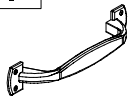
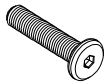

<b>A</b> 	<b>B</b> 
4pcs	4pcs

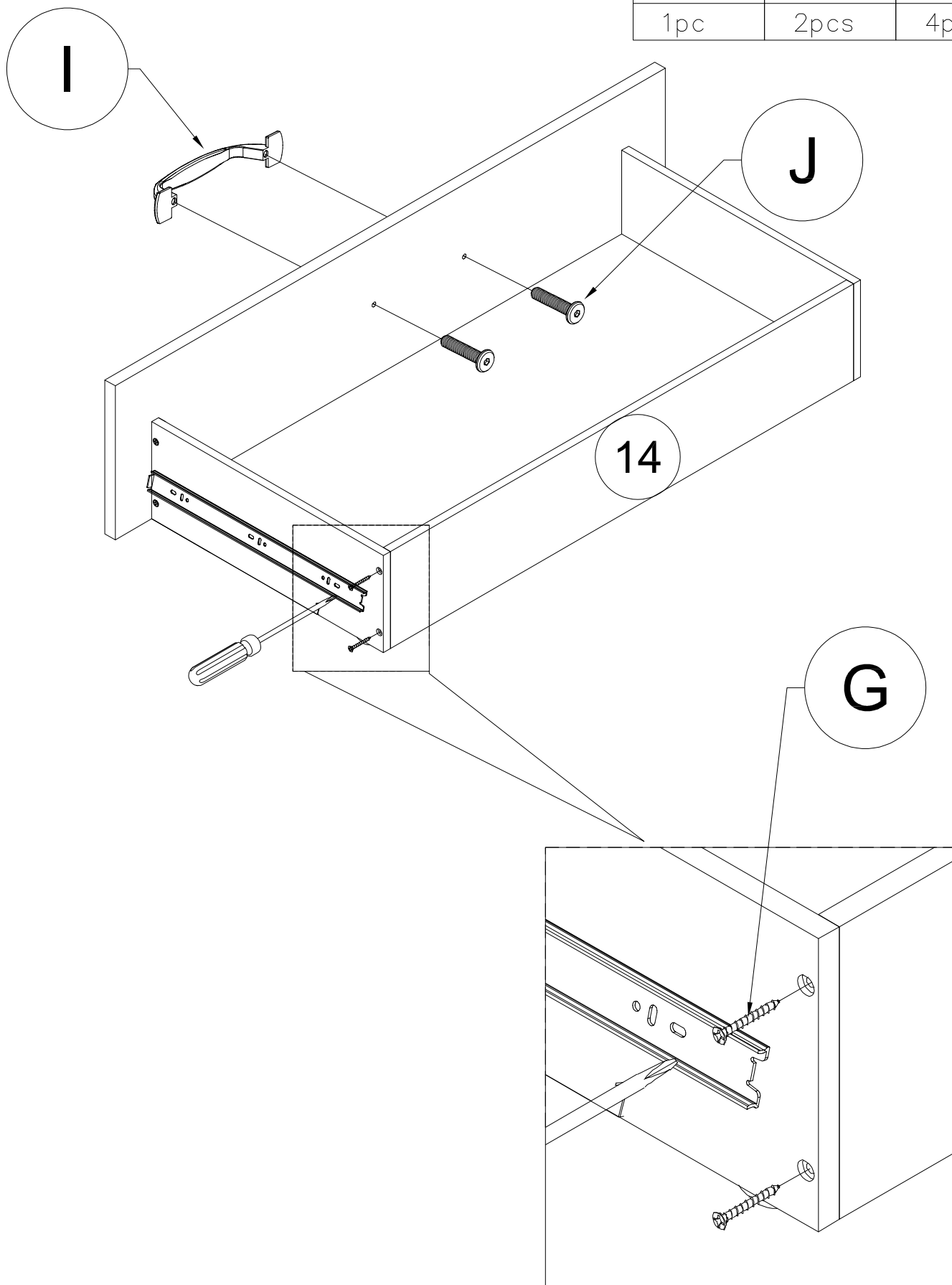


# STEP 14.2: Following below illustration:

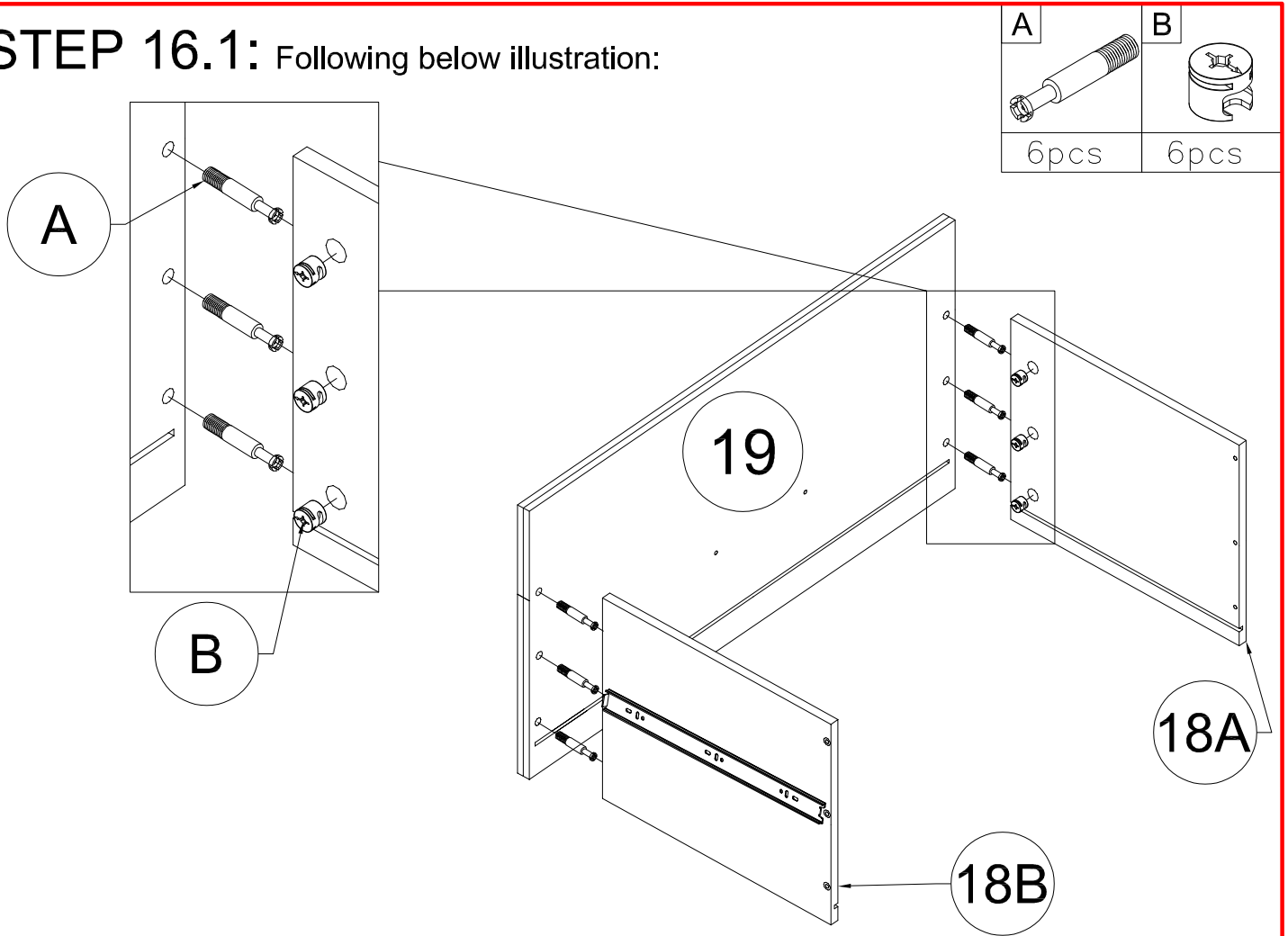


# STEP 15: Following below illustration:

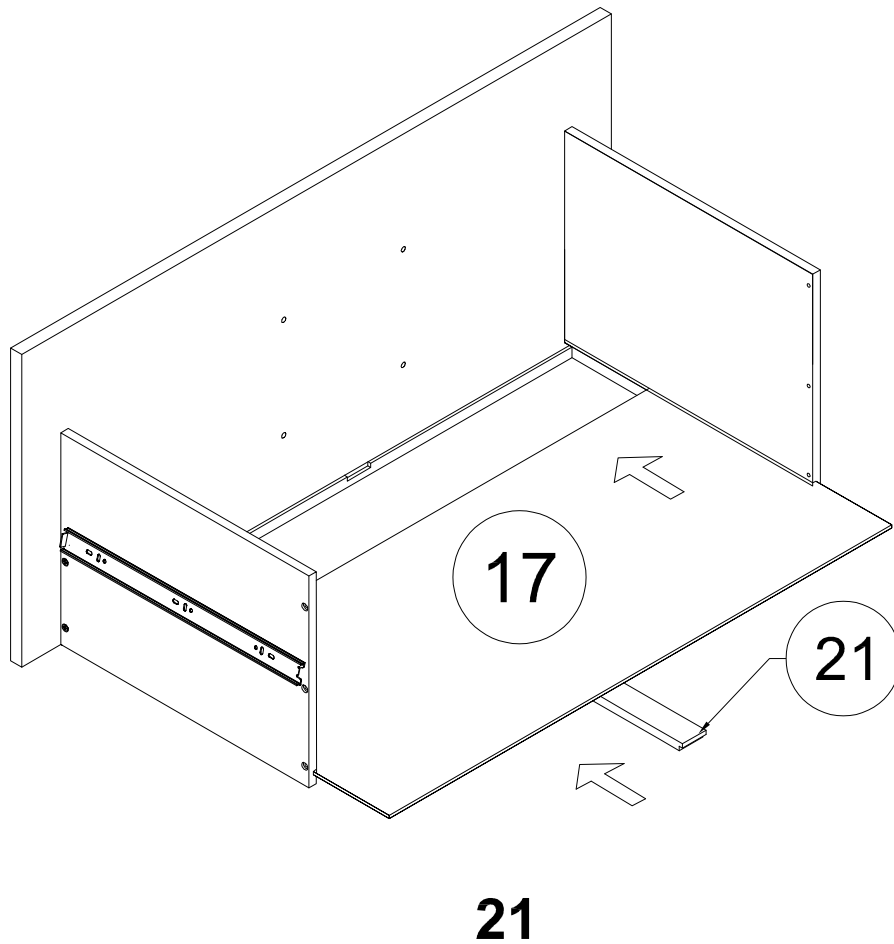
<b>I</b> 	<b>J</b> 	<b>G</b> 
1pc	2pcs	4pcs



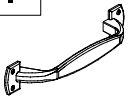
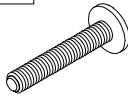

# STEP 16.1: Following below illustration:

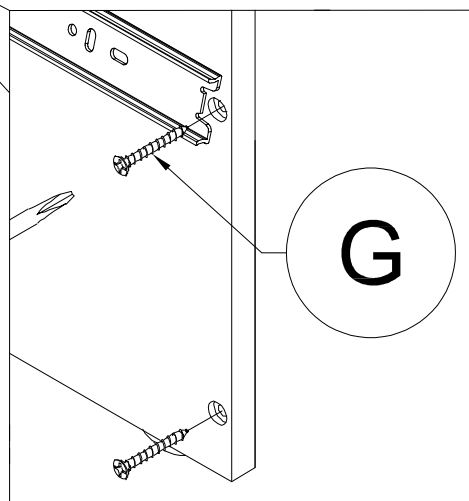
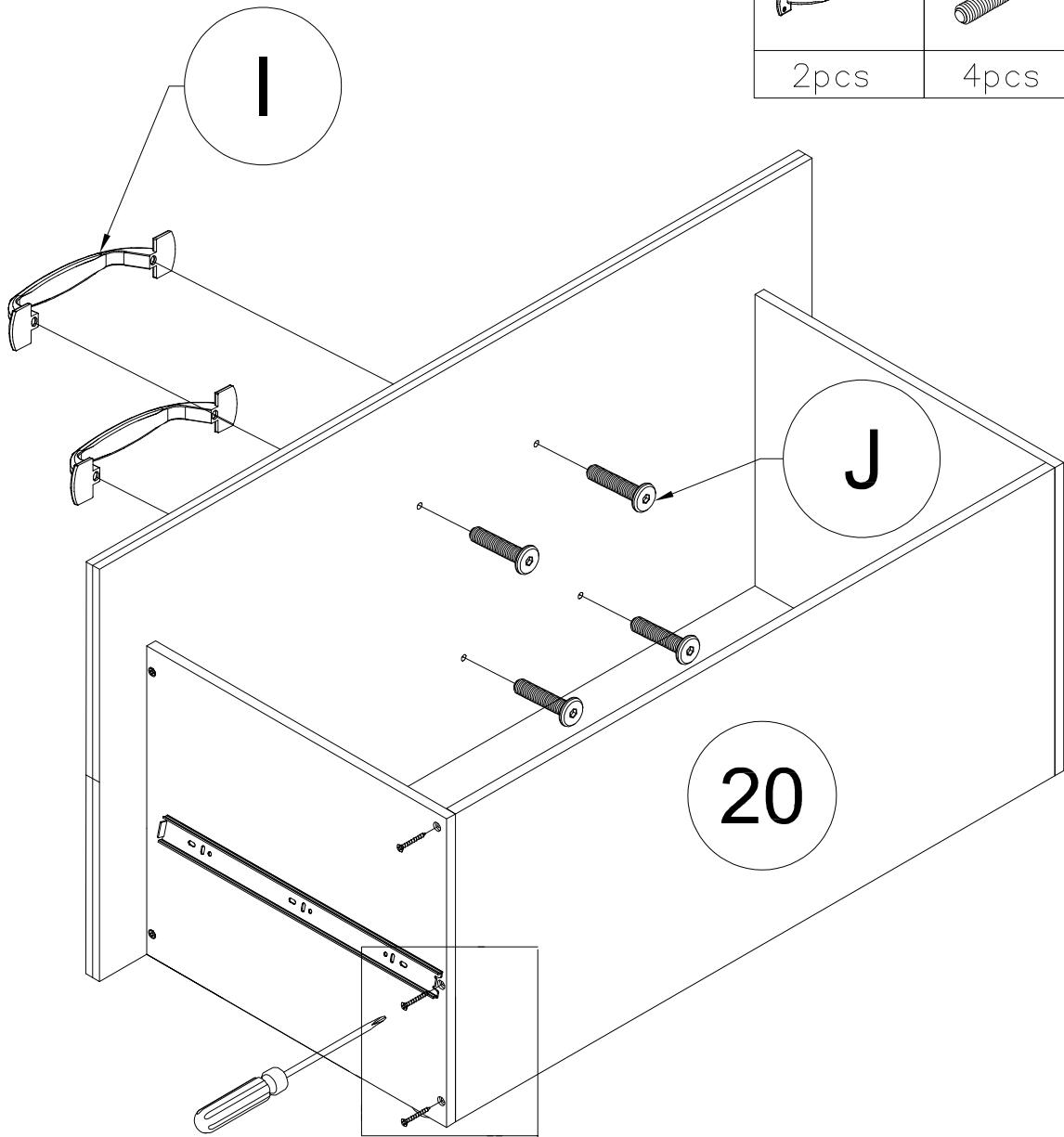


# STEP 16.2: Following below illustration:

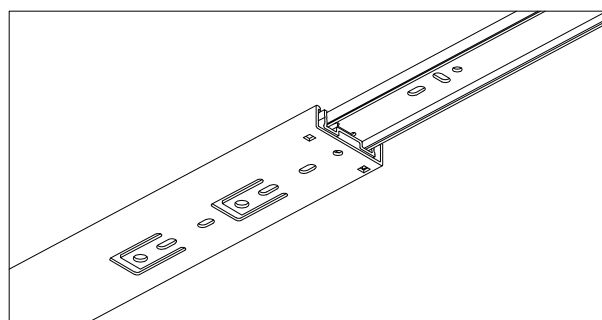
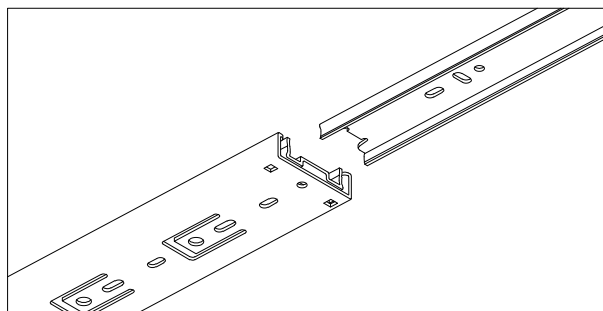
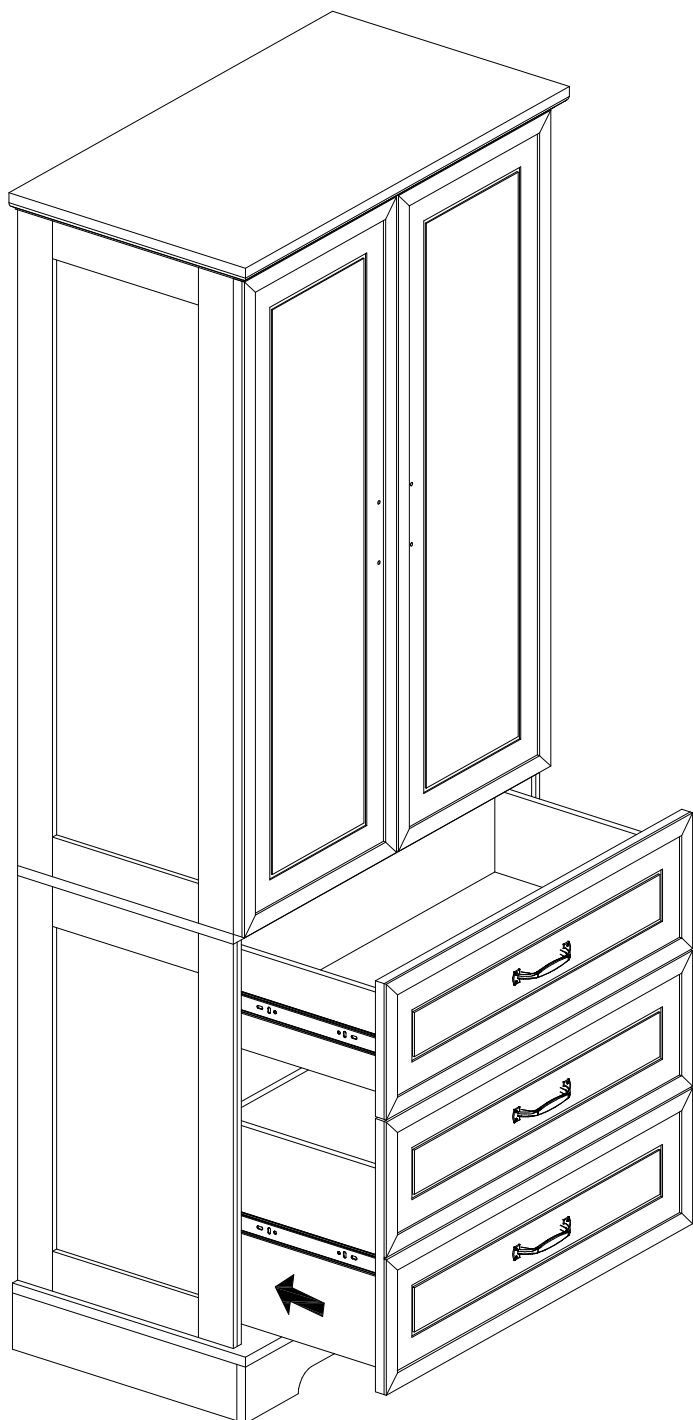


# STEP 17: Following below illustration:

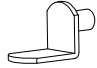
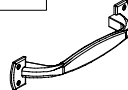
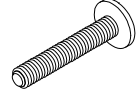
<b>I</b> 	<b>J</b> 	<b>G</b> 
2pcs	4pcs	6pcs

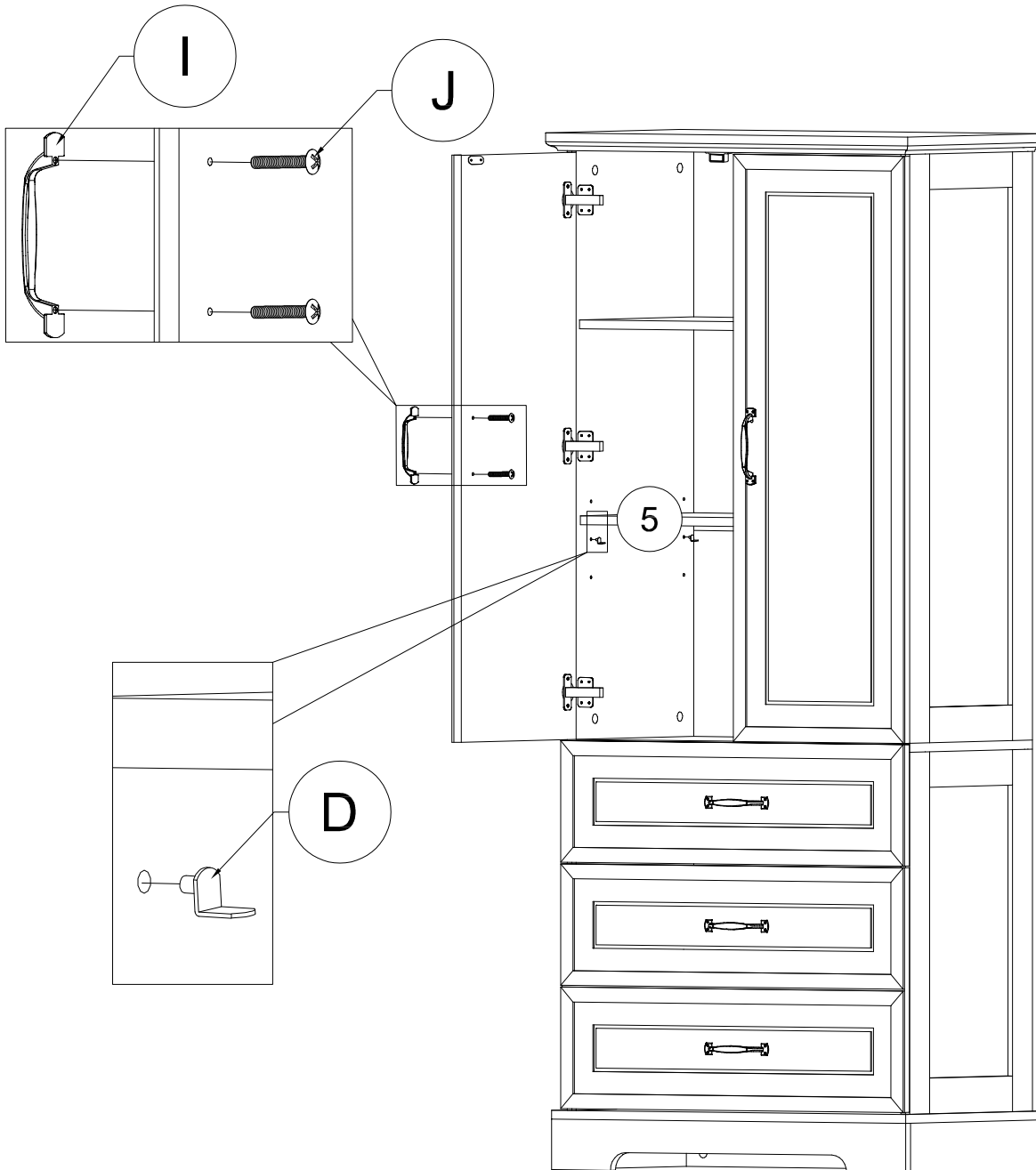


# STEP 18: Following below illustration:

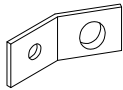

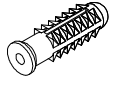


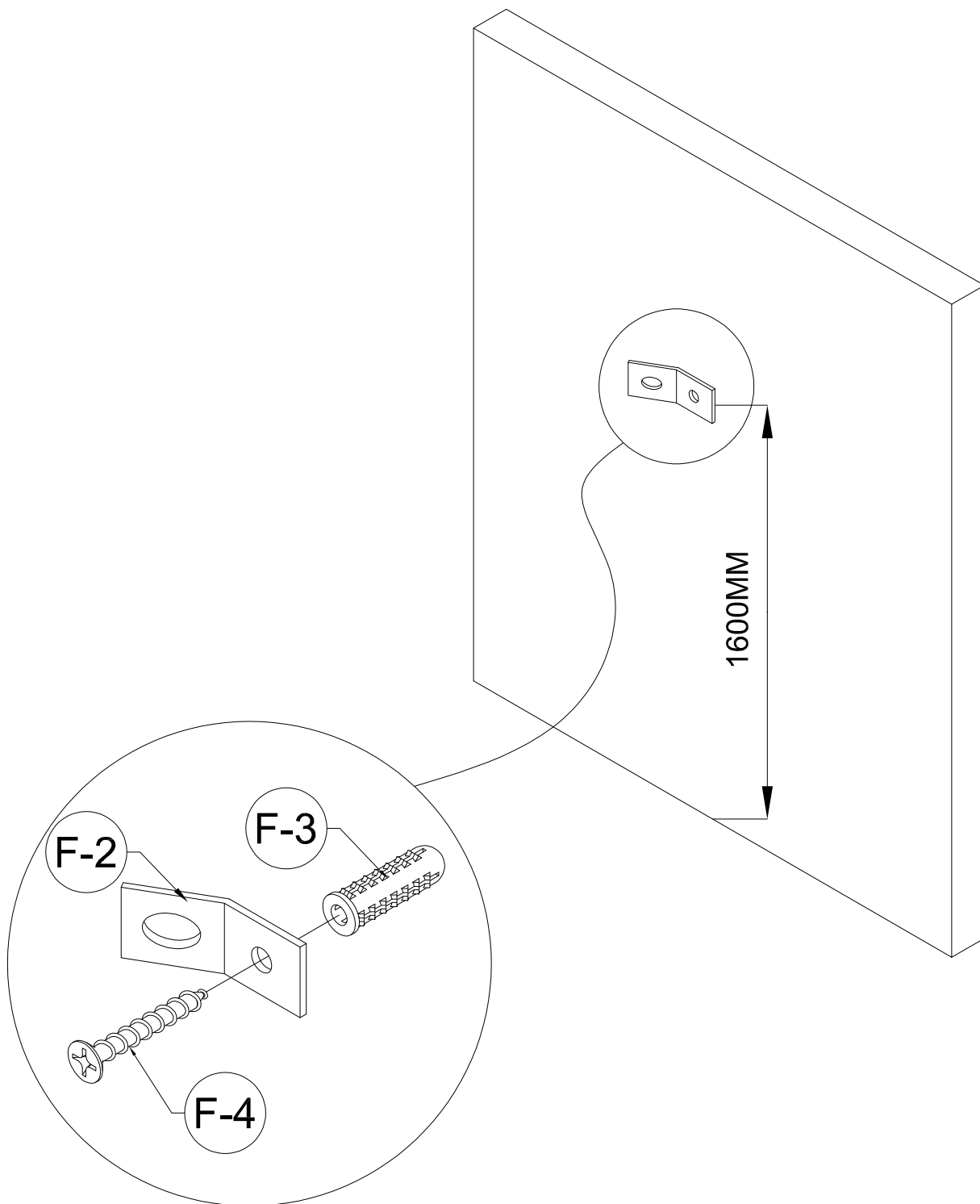
# STEP 19: Following below illustration:

<b>D</b>		<b>I</b>		<b>J</b>	
4pcs		2pcs		6pcs	



# STEP 20: Following below illustration:

F-2	F-4	F-3
		
2pcs	2pcs	2pcs

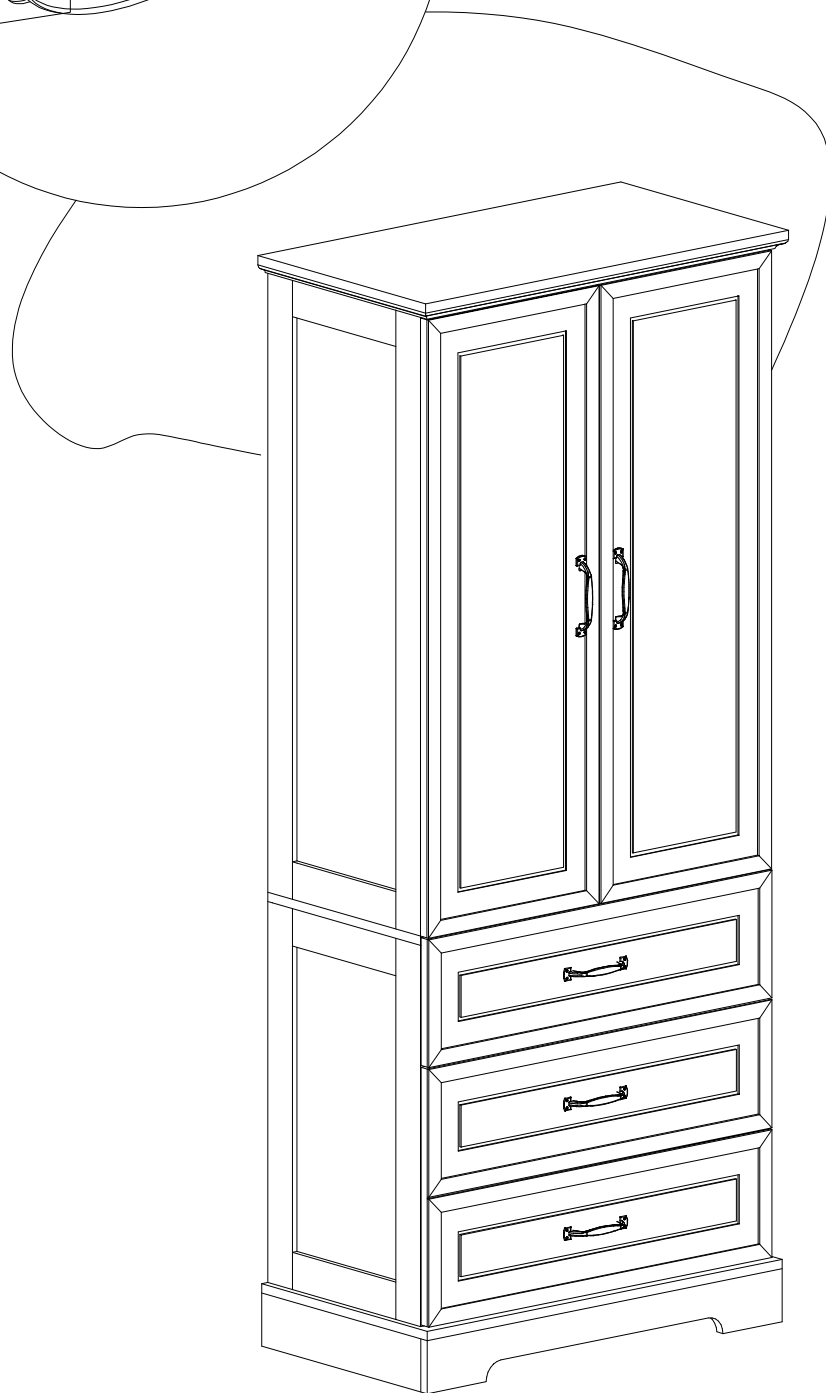
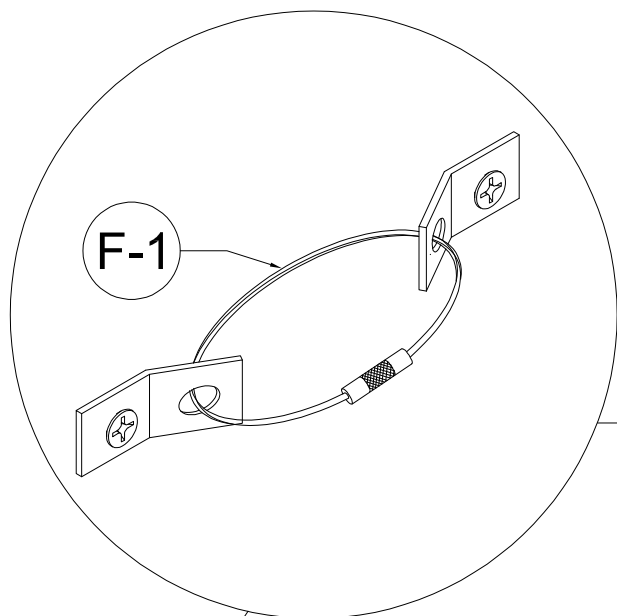


**STEP 21:** Following below illustration:

F-1



2pcs



# FINISH

