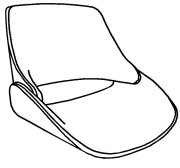


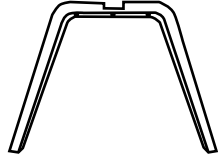
Dining Chair

Assembly Instructions
Instrucciones De Asamblea
Instructions d'Assemblée

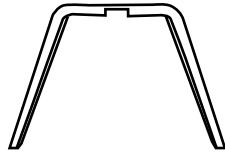
PARTS



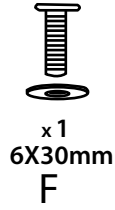
A



B



C



x1
6X30mm
F

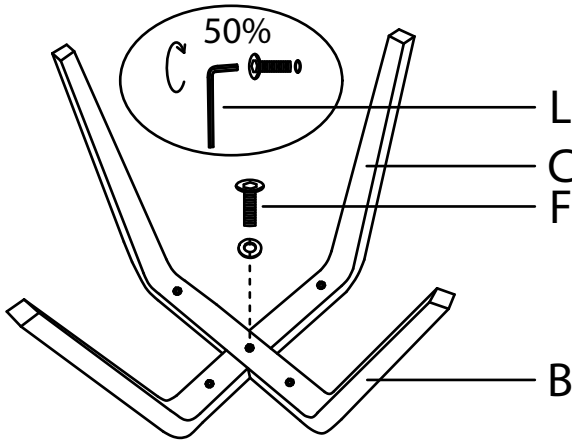


x4
6x45mm
G

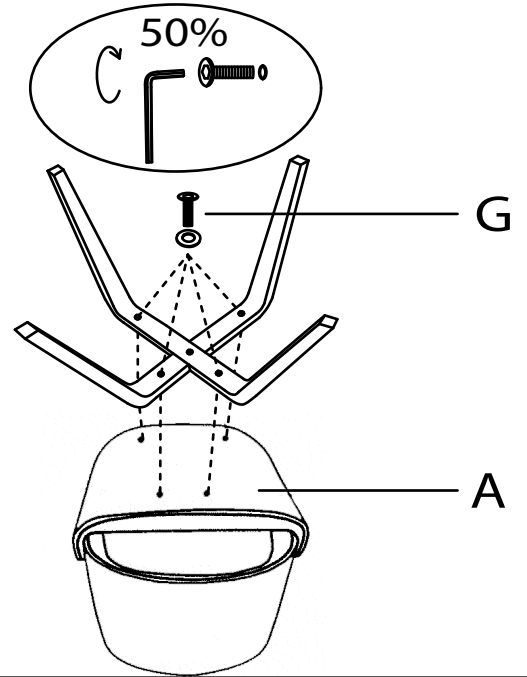


L

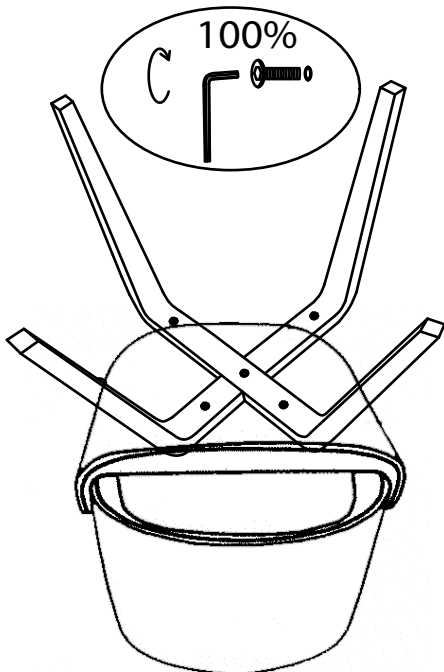
1



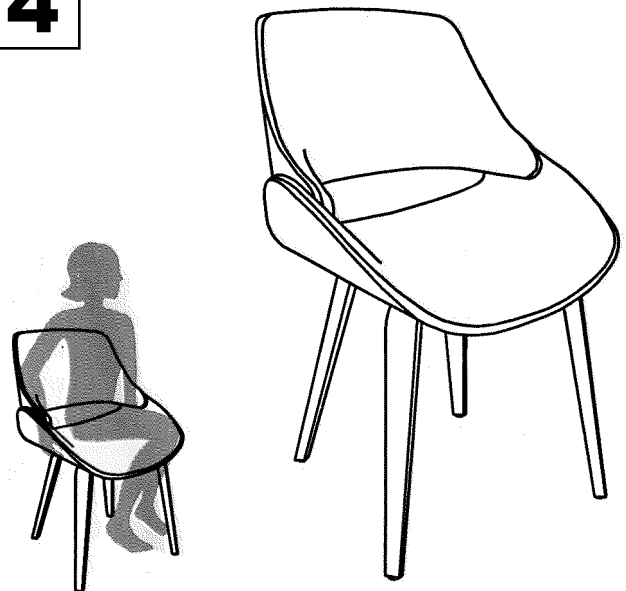
2



3



4



SIT TO SECURE