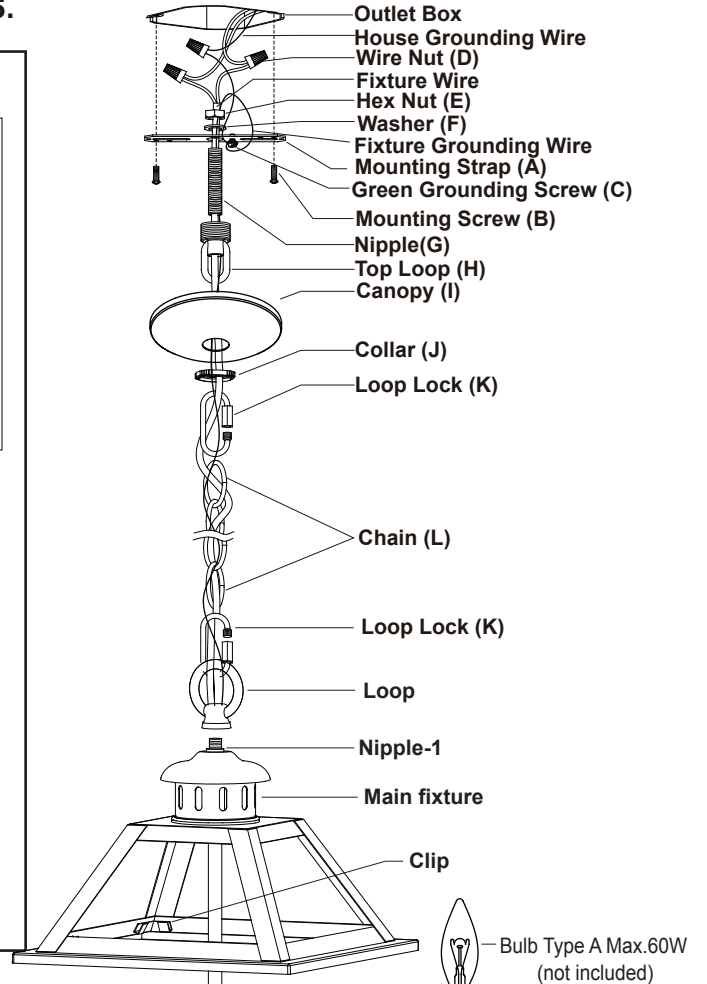
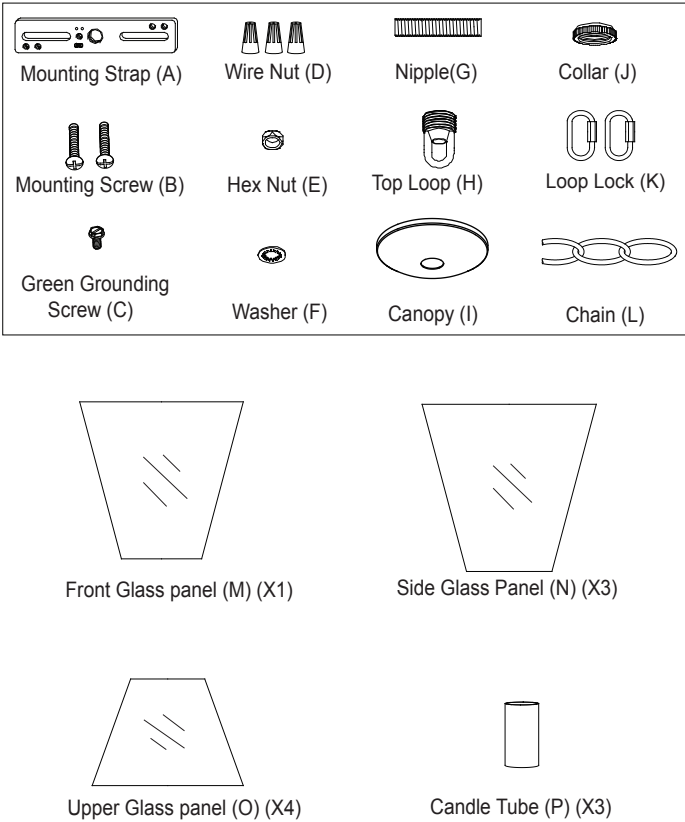


# ASSEMBLY AND INSTALLATION INSTRUCTIONS

**WARNING:** Turn off the main power at circuit breaker before installing fixture.  
**AVERTISSEMENT:** Coupez la source d'alimentation principale au panneau central de disjoncteurs avant d'installer le luminaire.

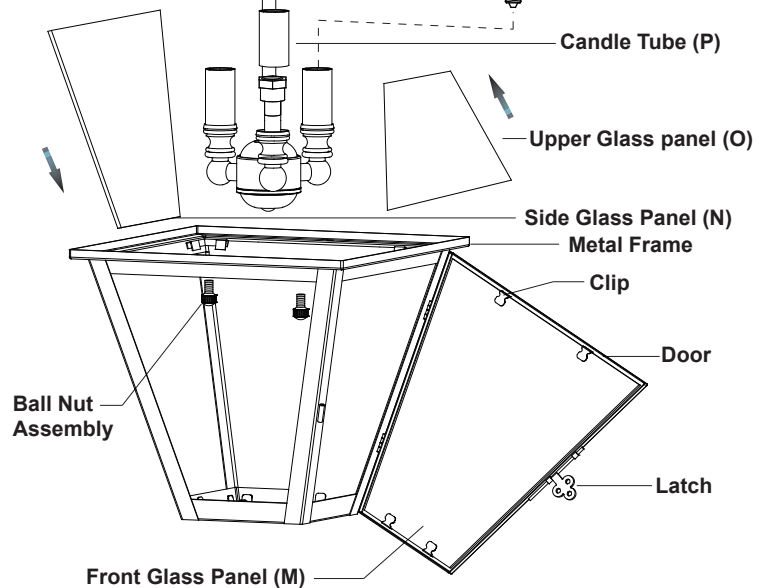
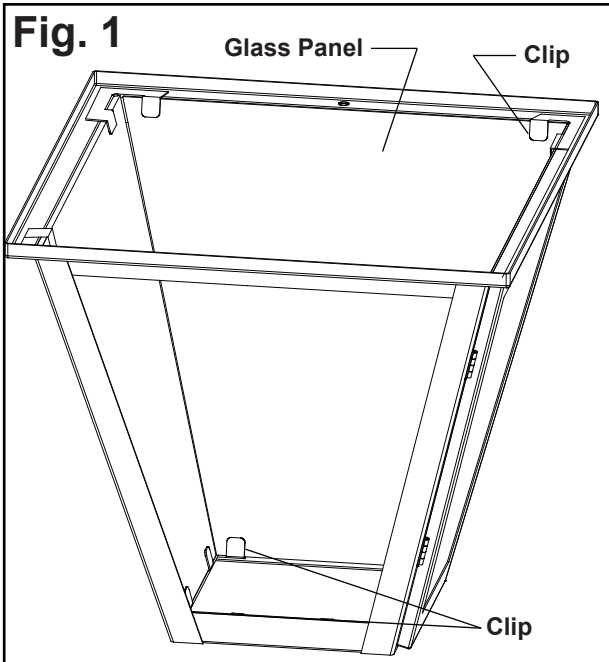
**NOTE:** 1. Before installing, consult local electrical codes for wiring and grounding requirements.  
 2. READ AND SAVE THESE INSTRUCTIONS.

## Parts:



Bulb Type A Max.60W (not included)

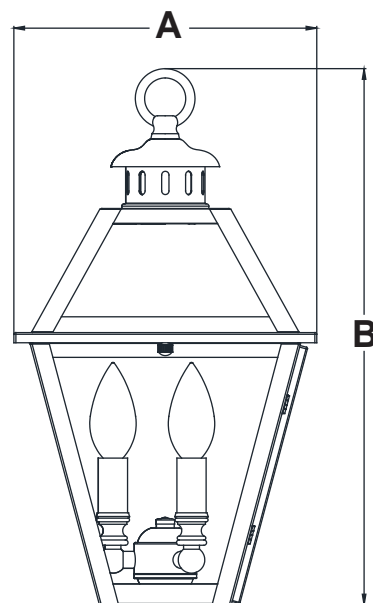
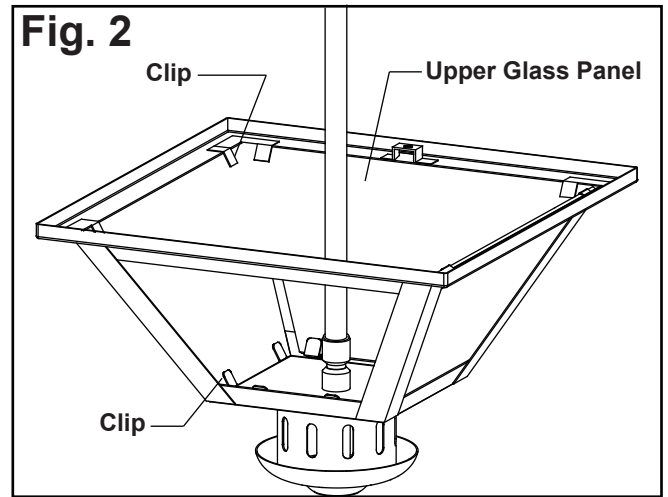
**Fig. 1**



1. Attach nipple to the mounting strap, then secure it with a washer and hex nut.
2. Attach the mounting strap to the outlet box by using two mounting screws.
3. Take a side glass panel and gently place the side glass panel into the metal frame in place, then pressing the clips of the metal frame to secure the side glass panel. (See Fig. 1)
4. Repeat this process to complete all glass panel installation of side glass panels and front glass panel.
5. Take an upper glass panel and gently place the upper glass panel into the main fixture in place, then pressing the clips of the main fixture to secure the upper glass panel. (See Fig. 2) Repeat with other upper glass panels.
6. Attach the metal frame to the main fixture, then secure it with the ball nut assemblies.
7. Secure the loop to nipple-1.
8. Choose the length of the chain you need, then weave the fixture wire and the fixture grounding wire through the chain. Then connect one end of the chain with the loop by using the loop lock.
9. Thread the fixture wire and fixture grounding wire through the collar, canopy, top loop, nipple and mounting strap.
10. Connect the other end of the chain with the top loop by using the loop lock.
11. Secure the top loop to nipple.
12. Pull out the outlet wires and the house grounding wire from the outlet box. Make wire connections by using the wire nuts:
  - The smooth wire (marked) from the fixture to the black wire from the power source.
  - The ridged wire (unmarked) from the fixture to the white wire from the power source.
  - Attach the fixture grounding wire to the mounting strap with the green grounding screw. Then connect it to the house grounding wire with a wire nut.
 Carefully put the wires back into the outlet box.
13. Attach the canopy to the mounting strap by inserting the top loop, then secure it with the collar.
 

**Note: With silicone caulking compound, caulk completely around where back of canopy meets with the ceiling surface to prevent water from seeping into the outlet box.**
14. Open the door of the fixture by pushing up the latch, attach the candle tube onto the socket.
15. Install bulbs (not included). See relamping label at socket area or packaging for maximum allowed wattage.
 

Close the door of the fixture by pulling down the latch.
16. Turn on the power at the main fuse or circuit breaker box.



**A: 9"**

**B: 15-7/8"**