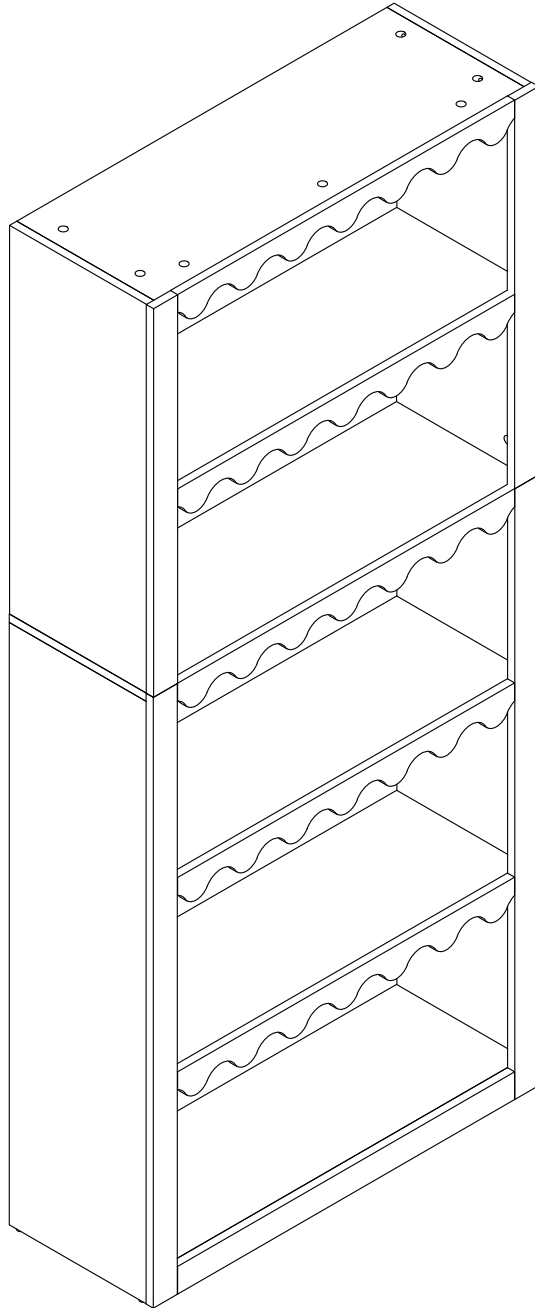


Assembly Instructions

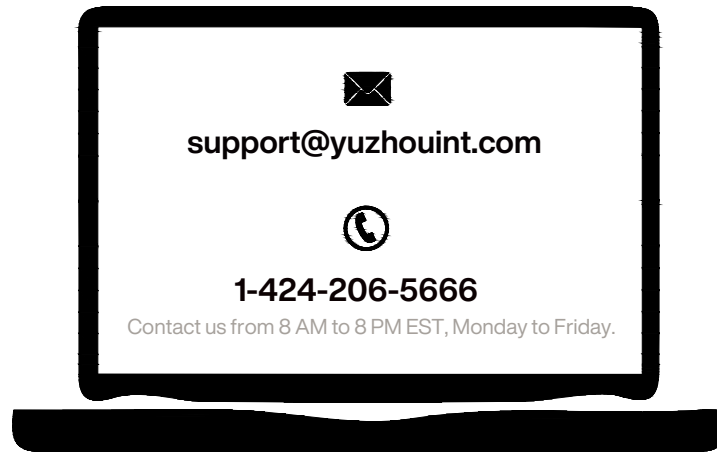


Bookshelf

Model No.
HOGA-J0476

Contact Us

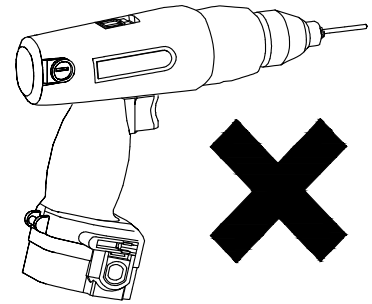
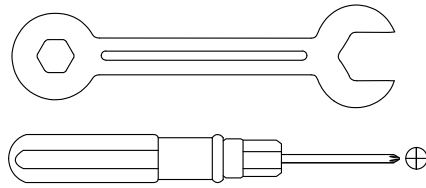
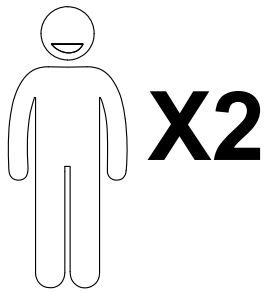
We're here to help you.



Your satisfaction is our top priority. If you encounter any issues with this product, such as missing or damaged parts, we're here to help. Please retain the original packaging and take photos of the packaging and the product, then contact us as soon as possible.

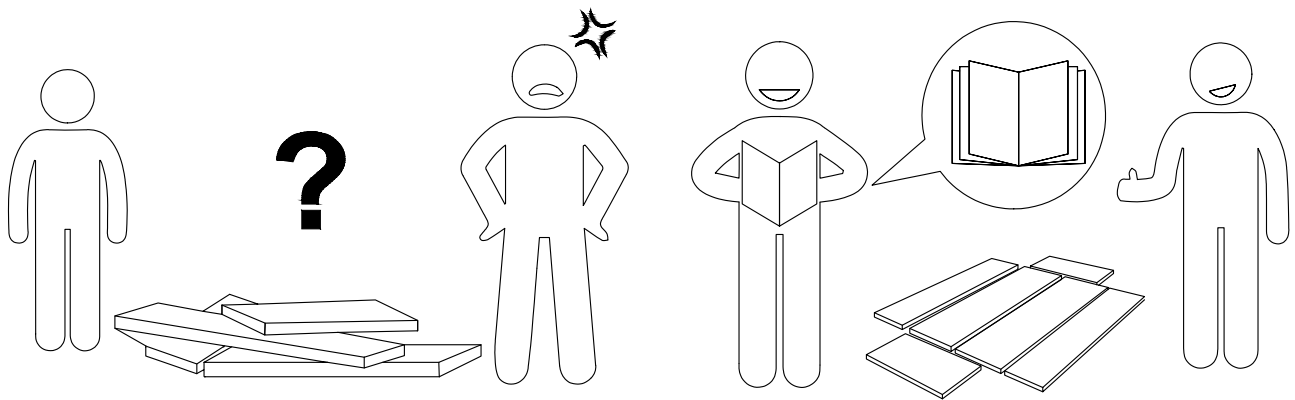
Warm Tips

1. Carefully read these instructions and keep them for future reference.
2. Check the parts list and confirm everything's there before starting assembly.
3. When assembling, put all parts on a soft, smooth surface like a carpet to avoid scratches.
4. Don't fully tighten screws until all parts are confirmed in place to avoid misalignment.



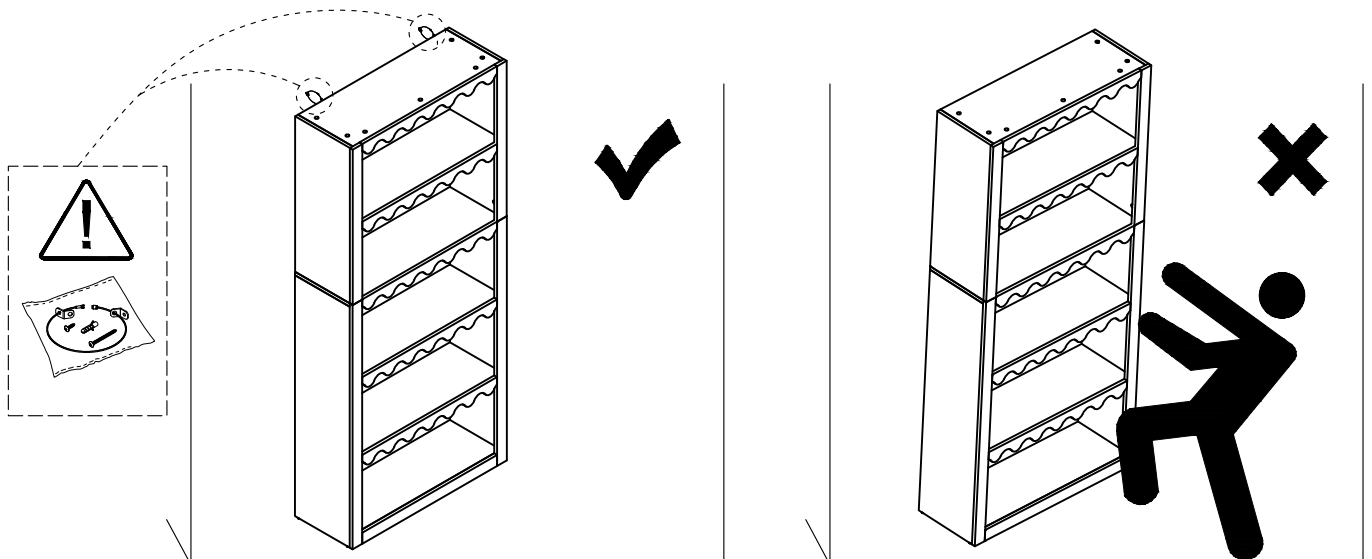
We recommend using hand tools for assembly.

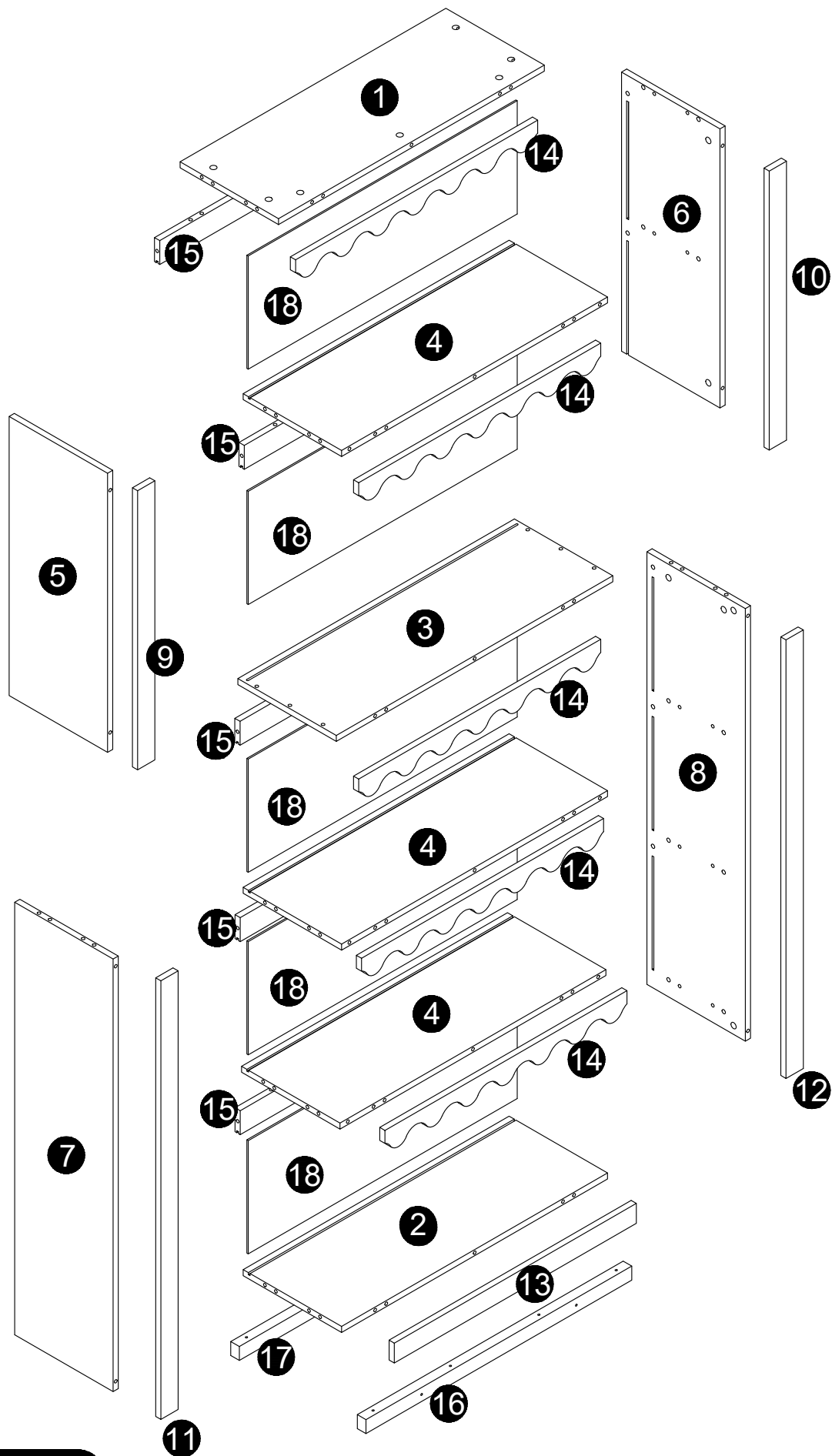
If an electric screwdriver is used, reduce power and torque to avoid damage to the product.



Install the Anti-Tip Straps

Using the anti-tip straps can reduce the risk of tipping over, but can not eliminate it.

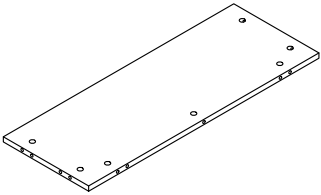
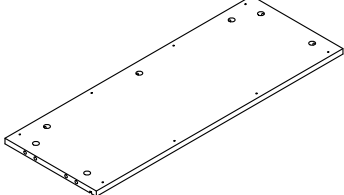
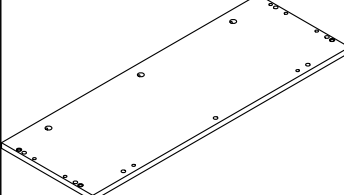
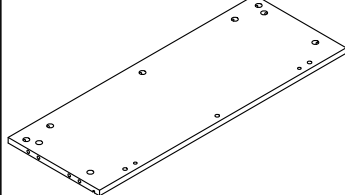
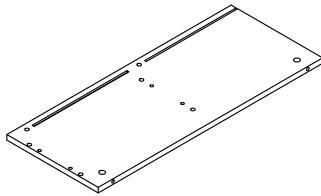
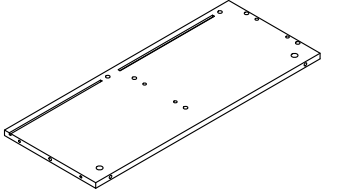
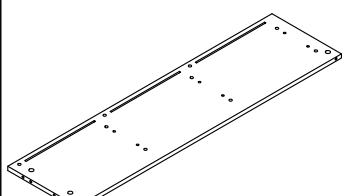
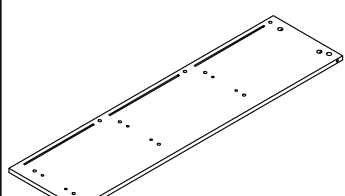
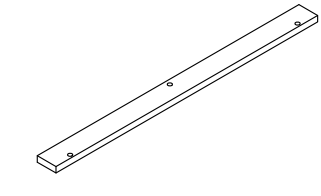
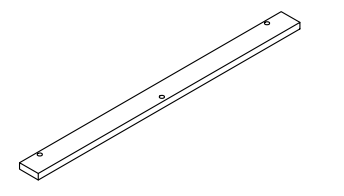
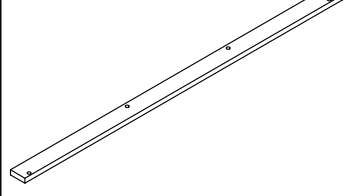
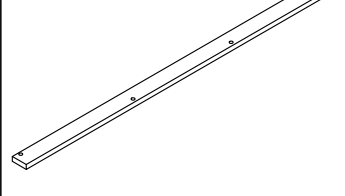
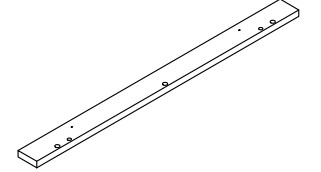
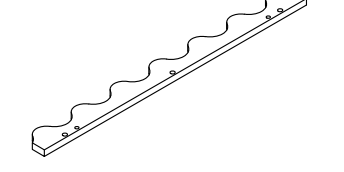
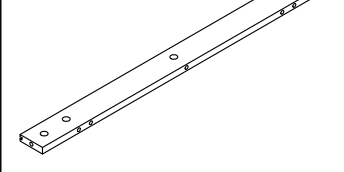
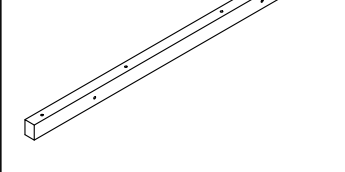




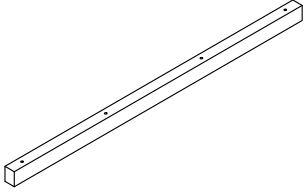
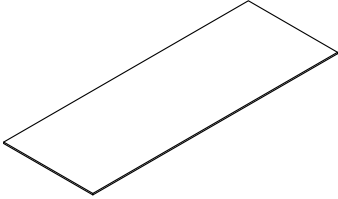
⚠ Caution

Make sure all parts are included. Most board parts are labeled or stamped on the raw edge. Contact us for a free replacement if you encounter any damaged or missing parts.

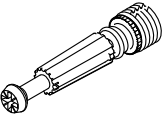
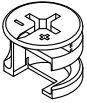
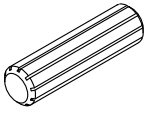
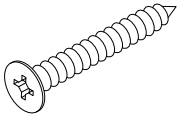
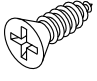
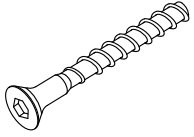
Parts List

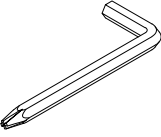

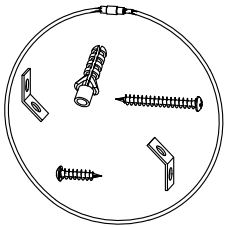

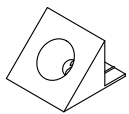
<p>1</p>  <p>1pc</p>	<p>2</p>  <p>1pc</p>	<p>3</p>  <p>1pc</p>	<p>4</p>  <p>3 pcs</p>
<p>5</p>  <p>1pc</p>	<p>6</p>  <p>1pc</p>	<p>7</p>  <p>1pc</p>	<p>8</p>  <p>1pc</p>
<p>9</p>  <p>1pc</p>	<p>10</p>  <p>1pc</p>	<p>11</p>  <p>1pc</p>	<p>12</p>  <p>1pc</p>
<p>13</p>  <p>1pc</p>	<p>14</p>  <p>5 pcs</p>	<p>15</p>  <p>5 pcs</p>	<p>16</p>  <p>1pc</p>

Parts List

<p>17</p>  <p>1 pc</p>	<p>18</p>  <p>5 pcs</p>		
--	---	--	--

Hardware List

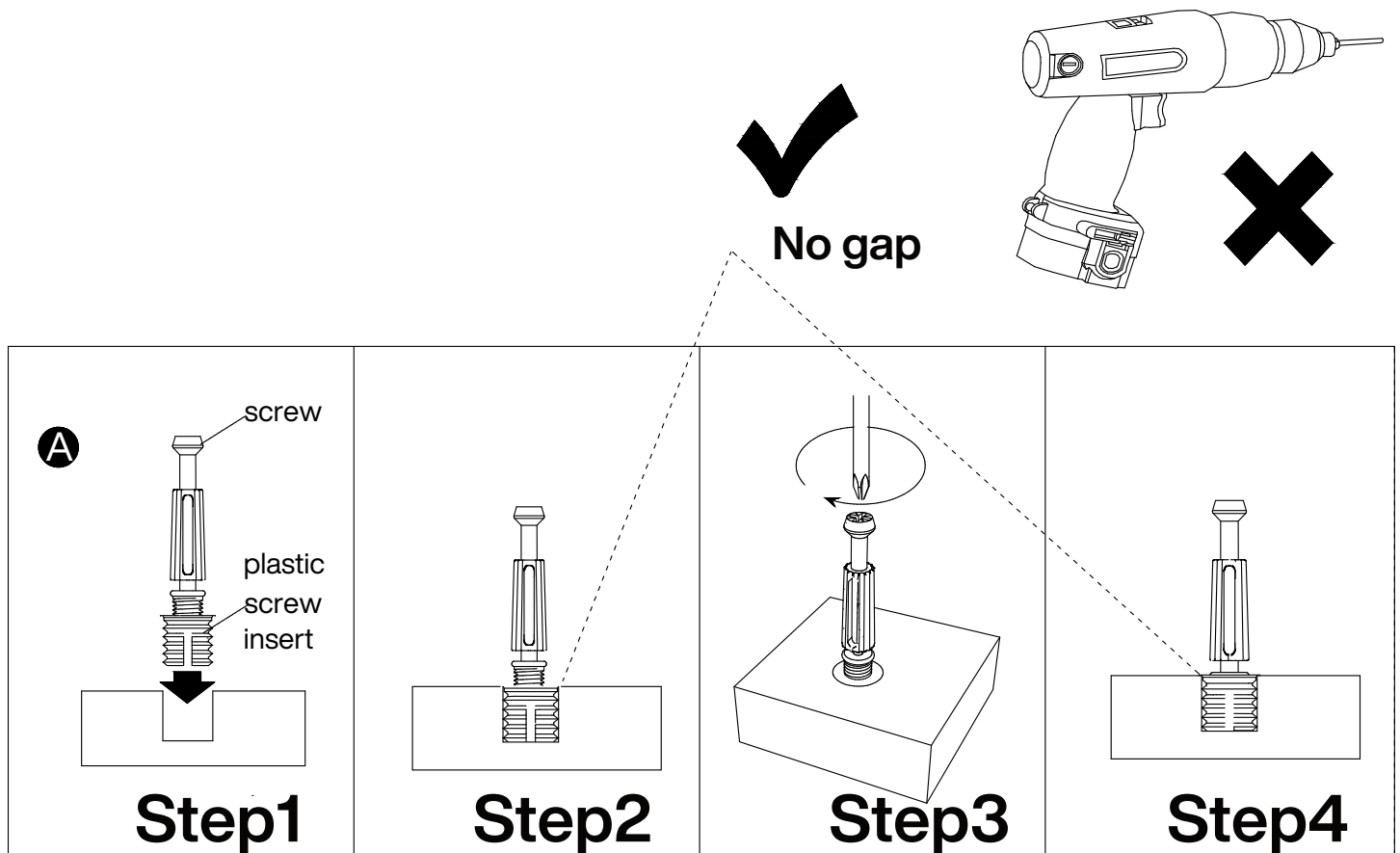
A	B	C	D	E	F
 <p>Ø6x40mm</p>	 <p>Ø15x12mm</p>	 <p>Ø8x30mm</p>	 <p>Ø4x35mm</p>	 <p>Ø3.5x18mm</p>	 <p>Ø7x47mm</p>
81 pcs	81 pcs	48 pcs	10 pcs	30 pcs	4 pcs

G	H	I	J	K	
 <p>M4</p>					
1 pc	4 pcs	2 pcs	14 pcs	30 pcs	

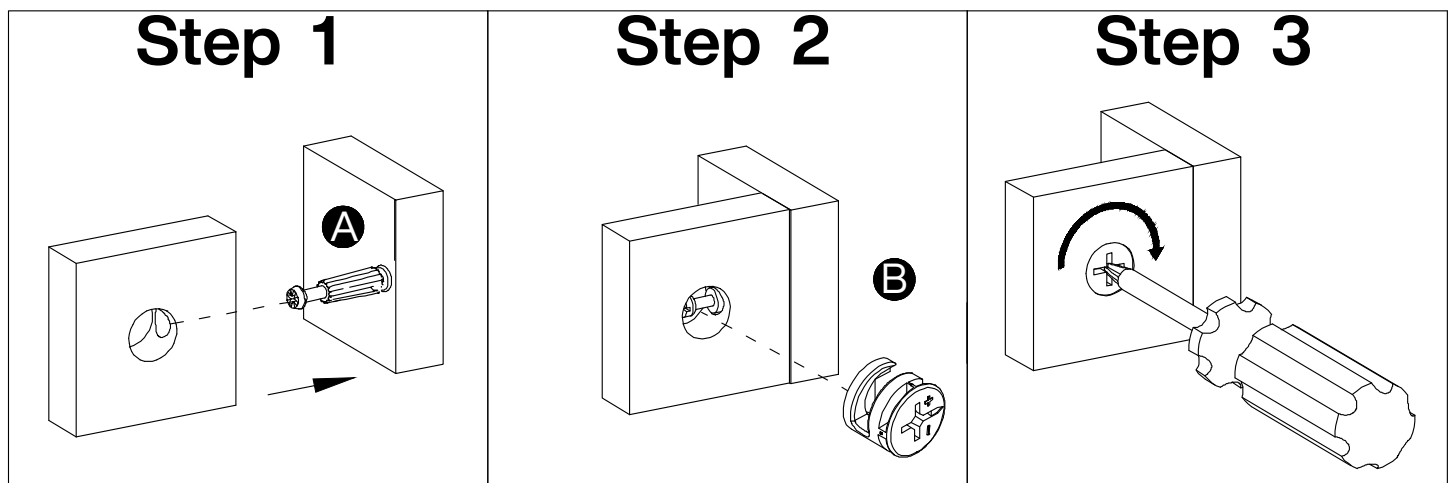
Installation of Cams and Pins

Step 1-2: Align the plastic part with the mounting hole and press it in. If you can't press it in, loosen the screw counter clockwise or completely remove the screw from the plastic part and try again.

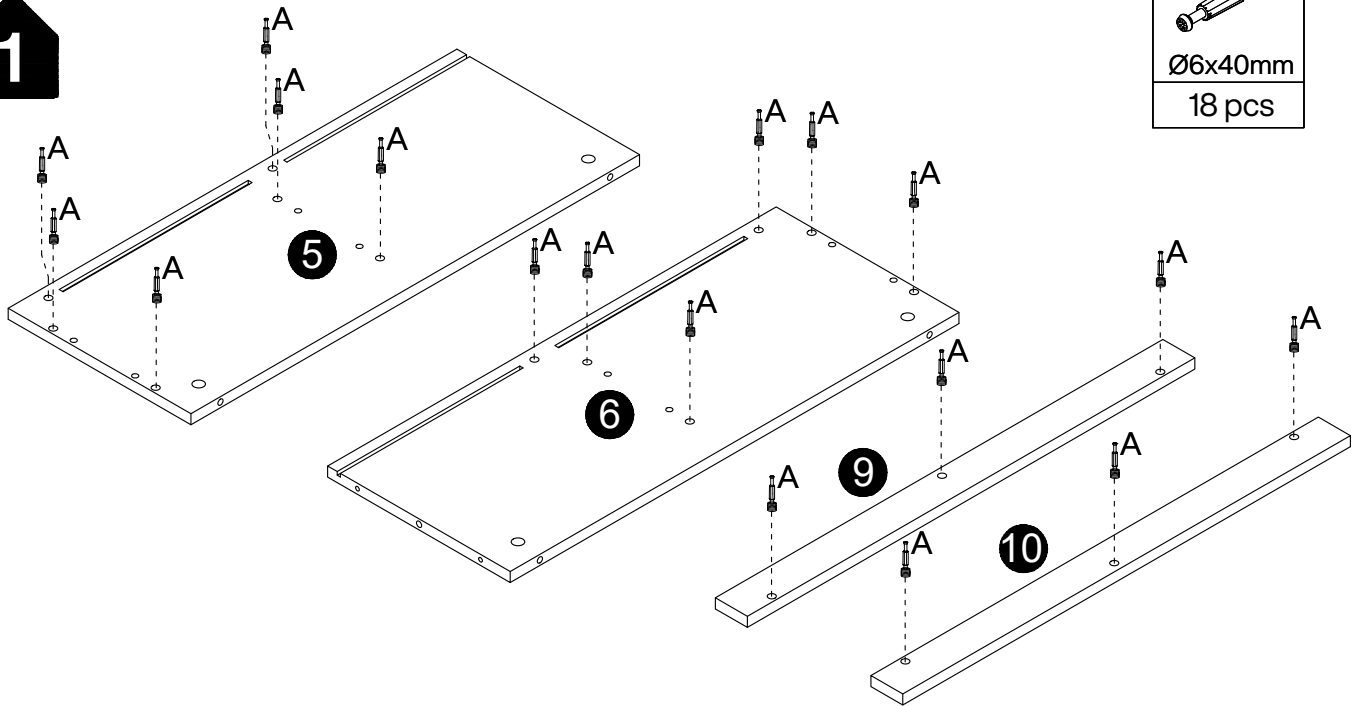
Step 3-4: After pressing the plastic part into place, use a screwdriver to tighten the screw clockwise.

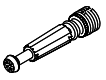


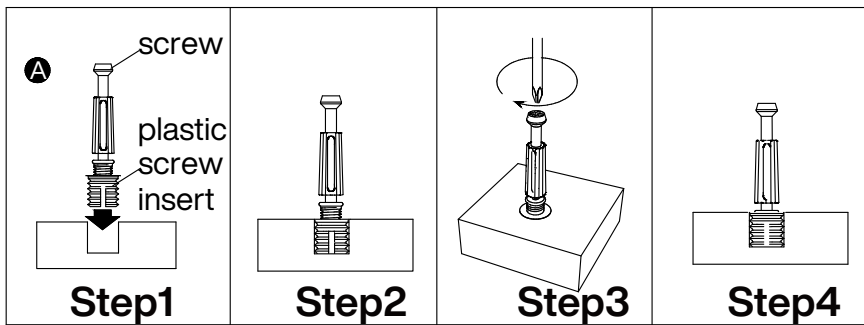
Screw the pin into the hole. Set the cams correctly by aligning the head of the cams with the lock pins. Lock the cam by turning the cam head with a screwdriver until it is tightened. Please do not use an electric screwdriver to assemble the unit.



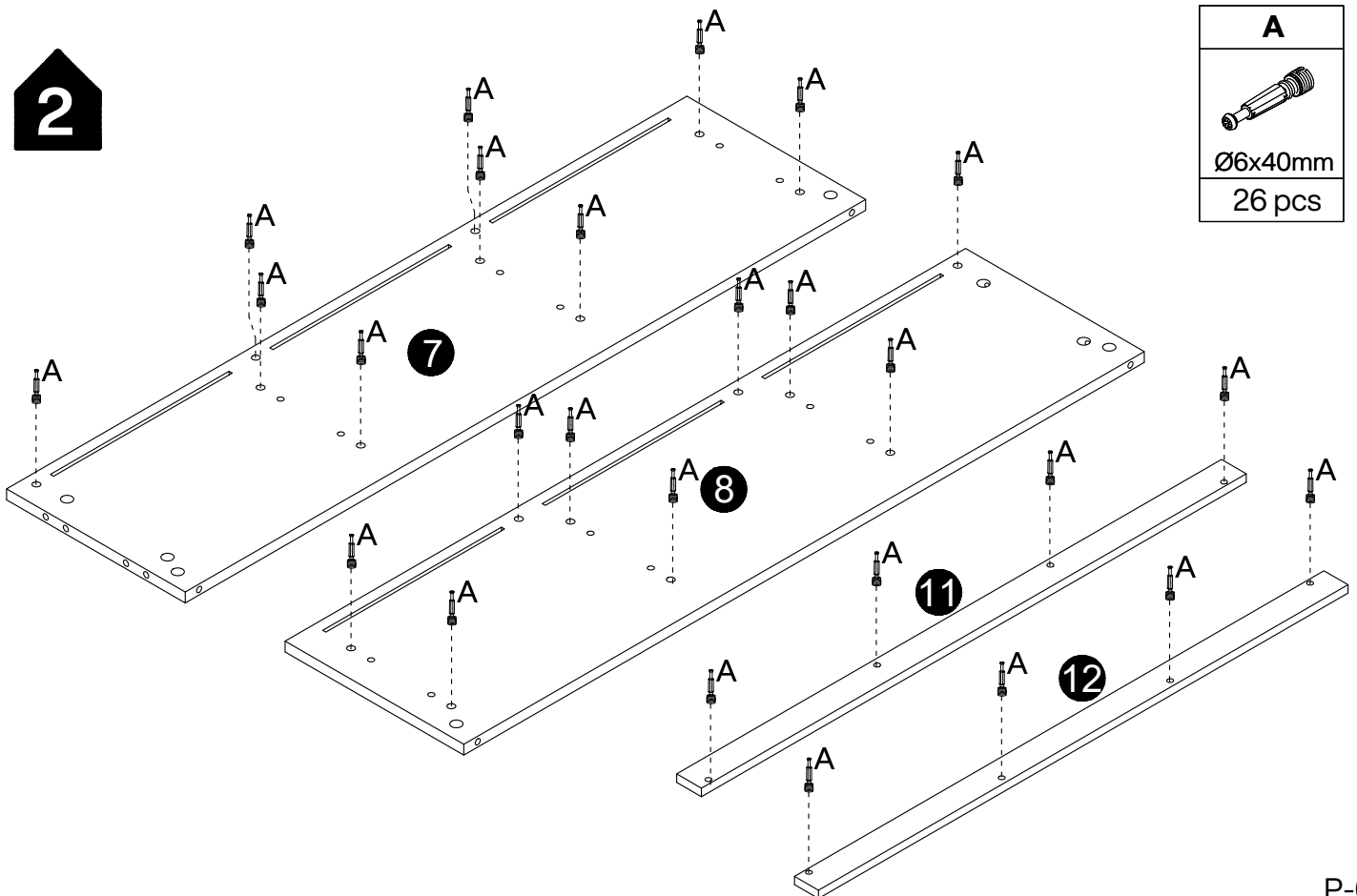
1

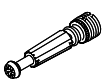


A

Ø6x40mm
18 pcs

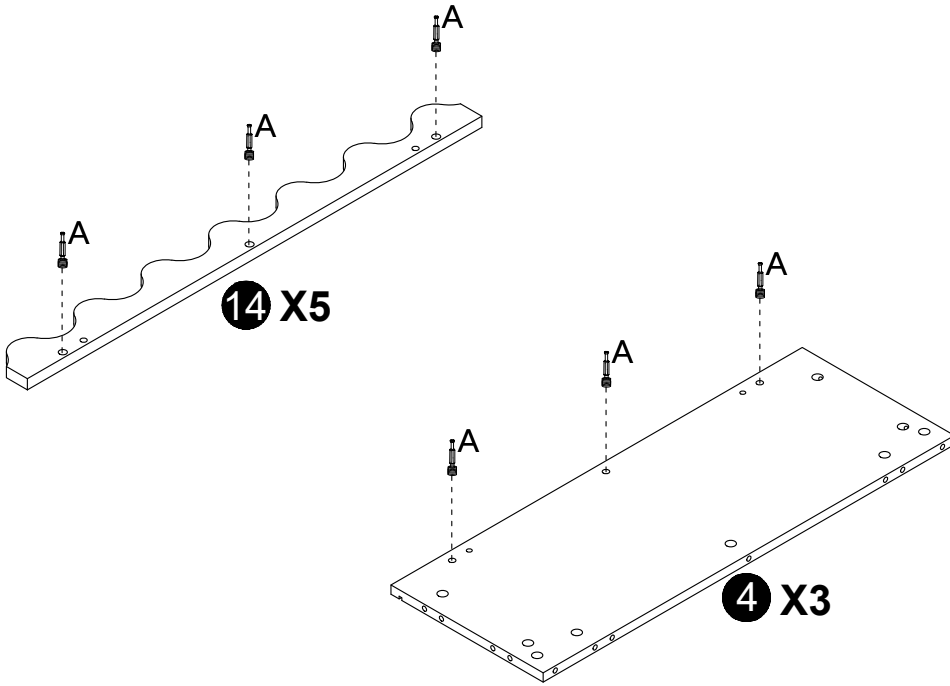


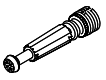
2



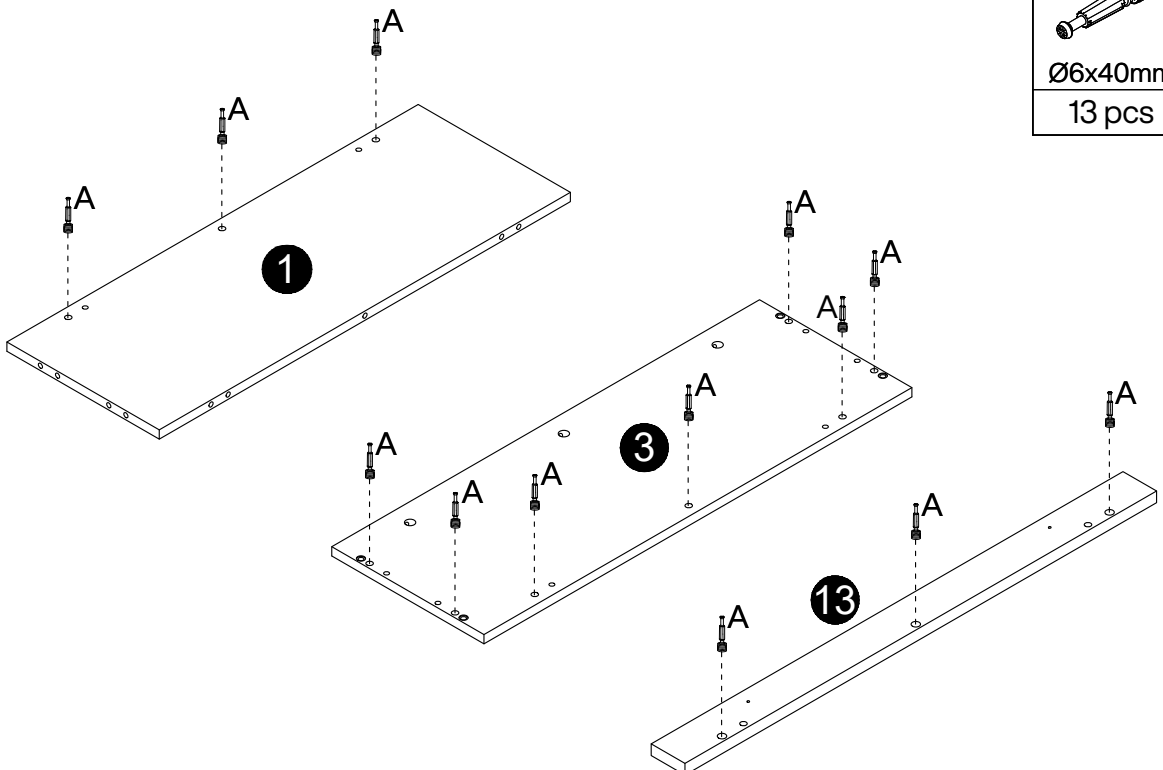
A

Ø6x40mm
26 pcs

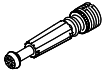
3



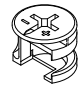
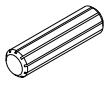
A

Ø6x40mm
24 pcs

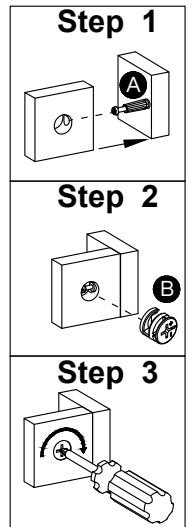
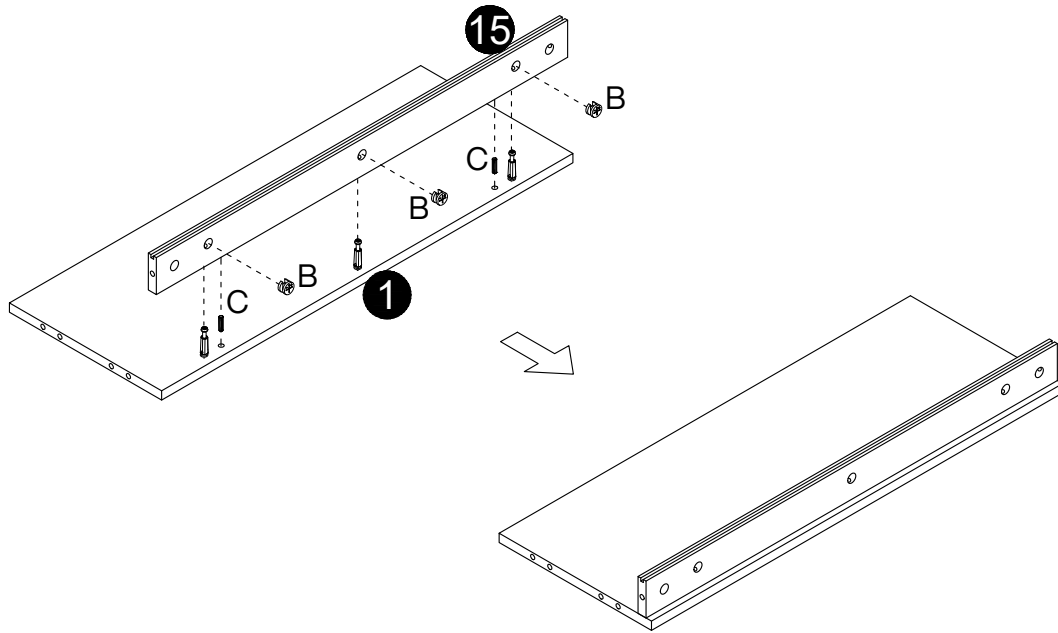
4



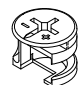
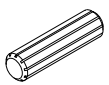
A

Ø6x40mm
13 pcs

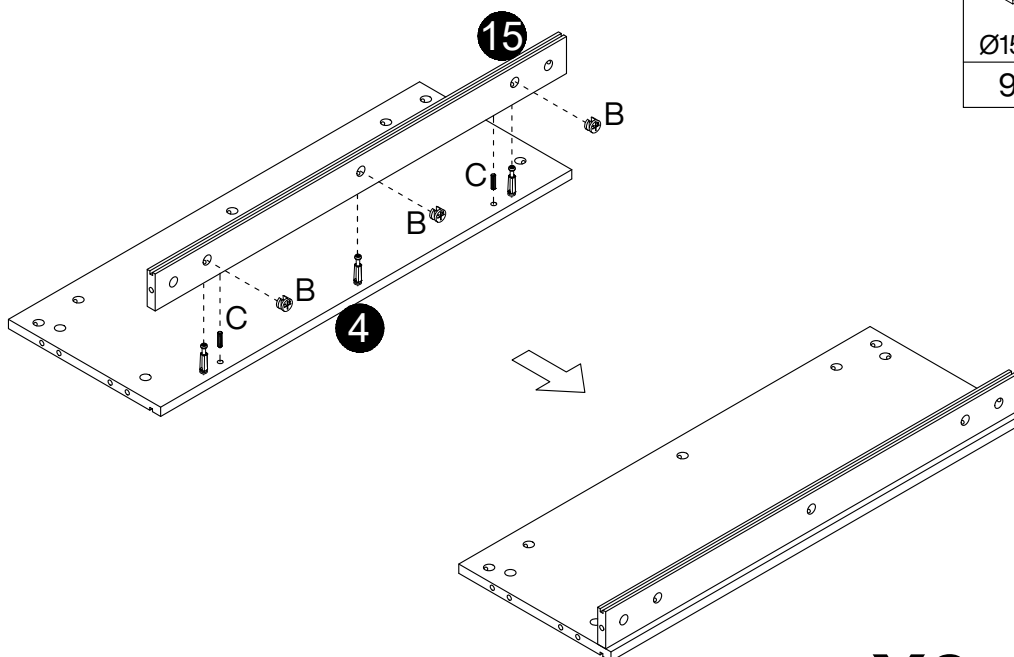
5

B	C
 Ø15x12mm	 Ø8x30mm
3 pcs	2 pcs



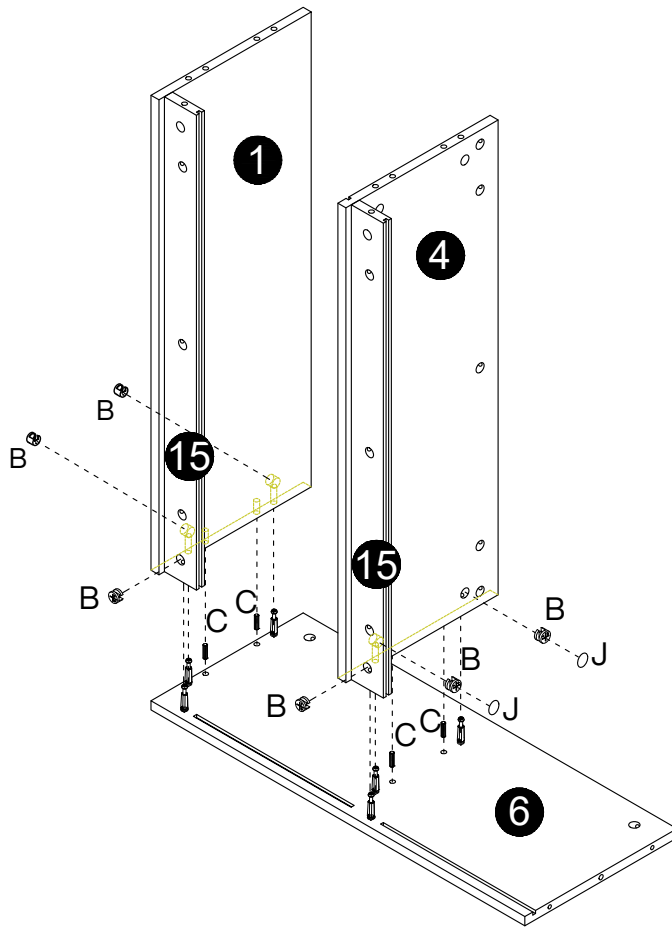
6

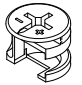
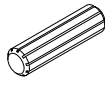

B	C
 Ø15x12mm	 Ø8x30mm
9 pcs	6 pcs



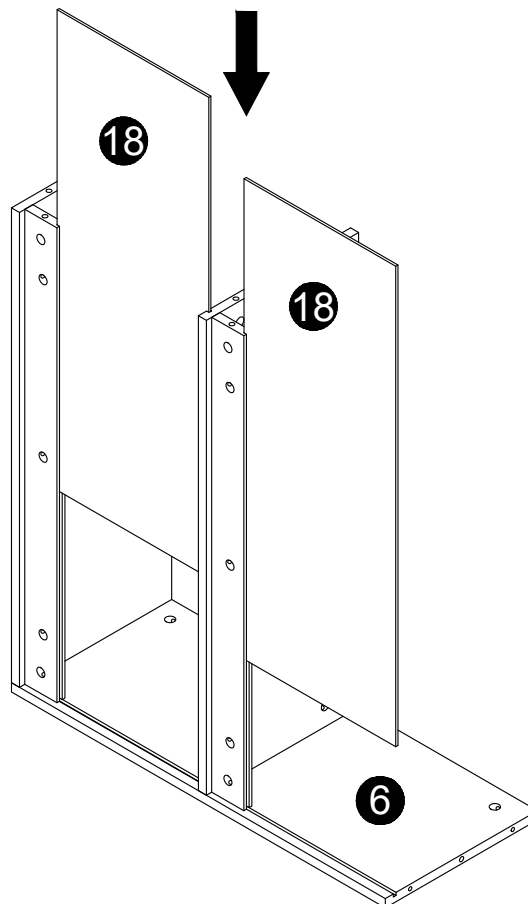
X3

7

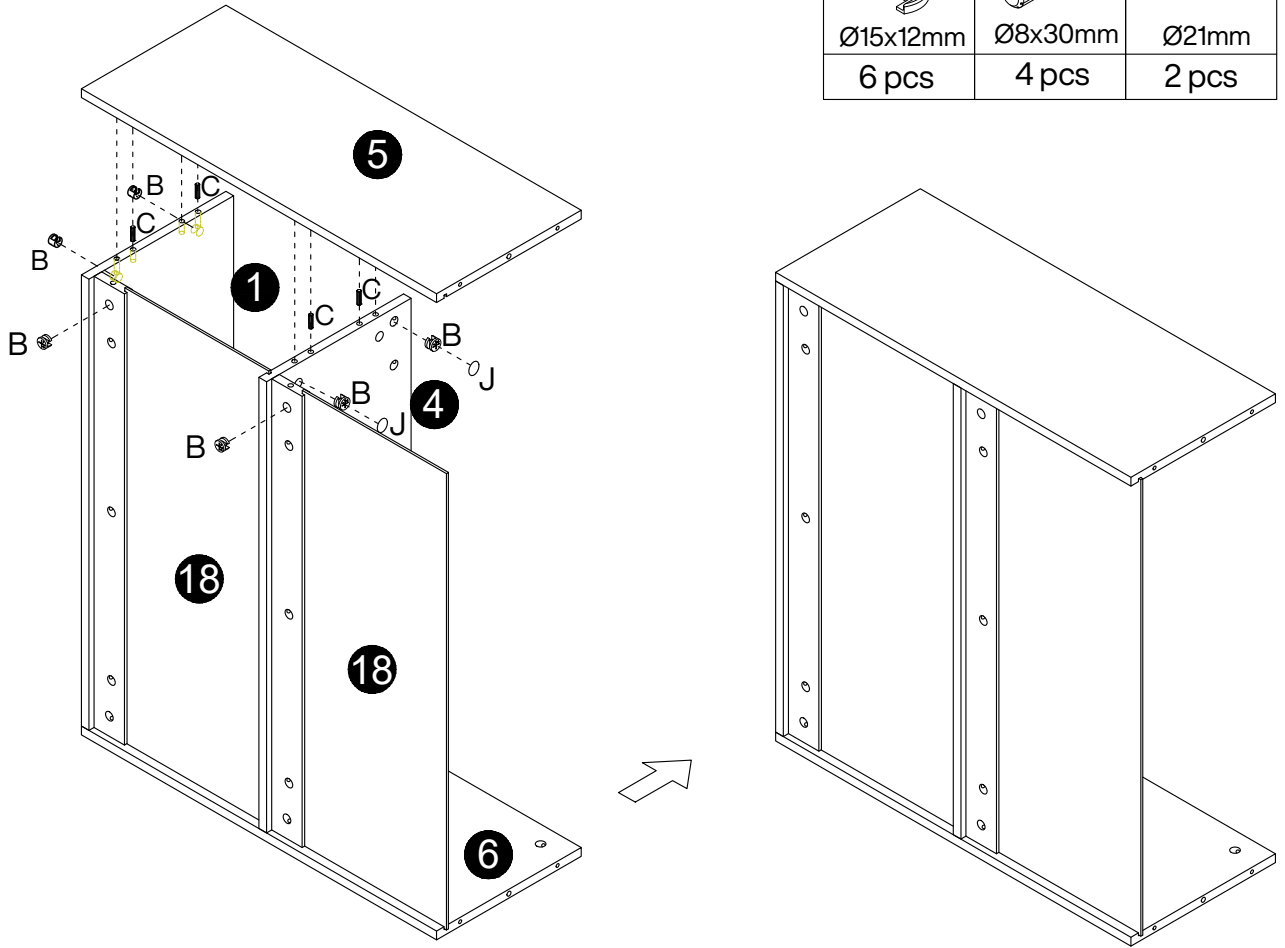


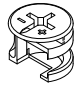
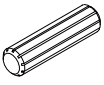

B	C	J
		
Ø15x12mm	Ø8x30mm	Ø21mm
6 pcs	4 pcs	2 pcs

8

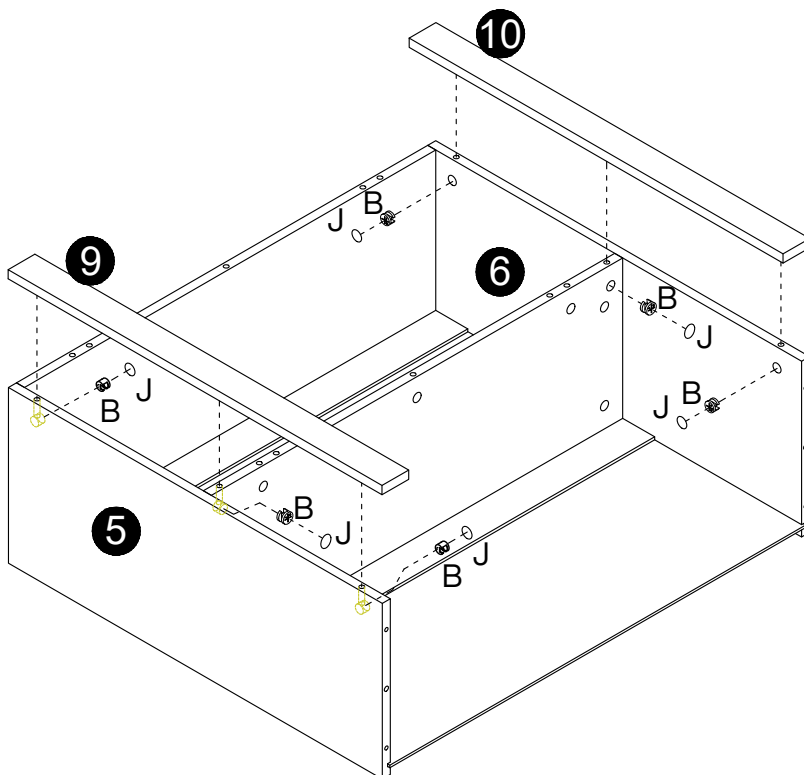


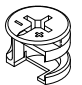

9



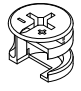
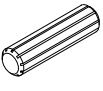
B	C	J
		
Ø15x12mm	Ø8x30mm	Ø21mm
6 pcs	4 pcs	2 pcs

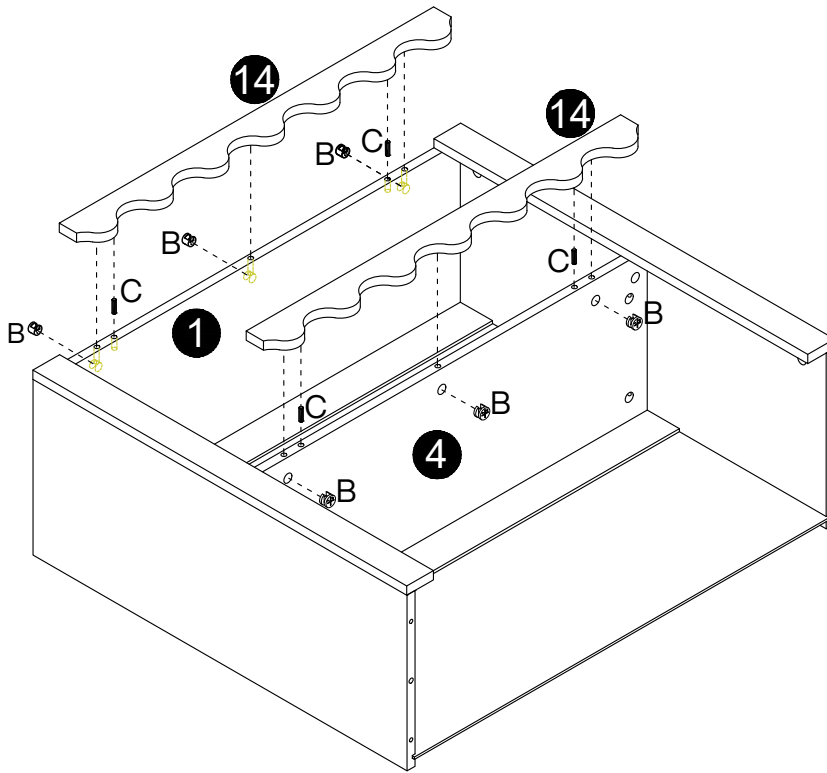
10




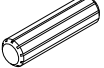
B	J
	
Ø15x12mm	Ø21mm
6 pcs	6 pcs


11

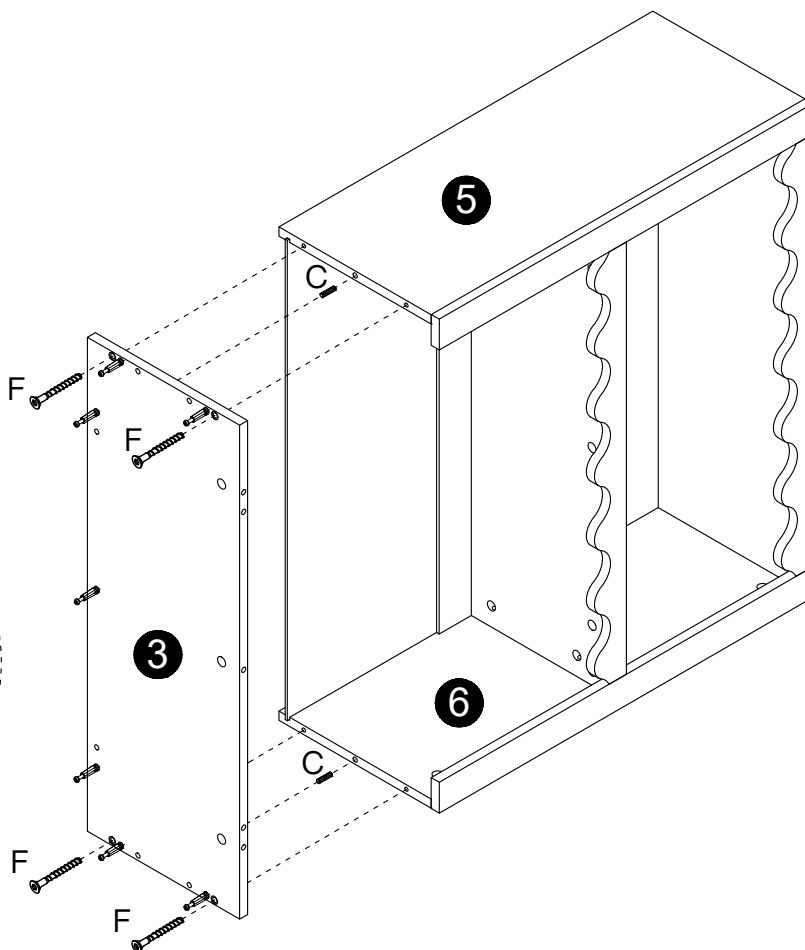
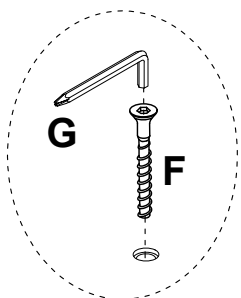
B	C
	
Ø15x12mm	Ø8x30mm
6 pcs	4 pcs



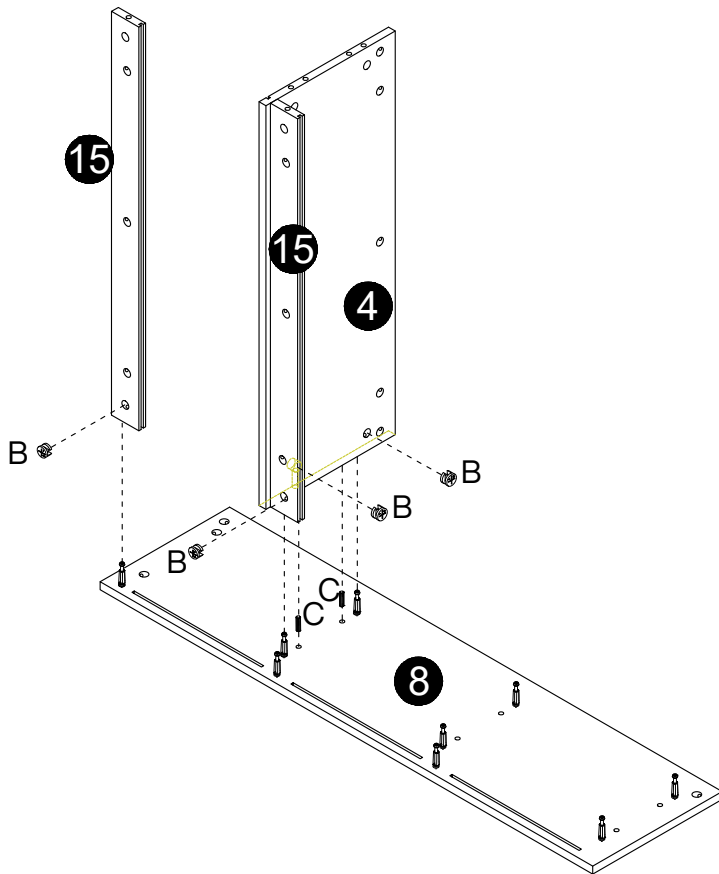
12

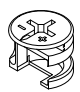
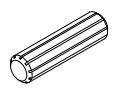
F	C
	
Ø7x47mm	Ø8x30mm
4 pcs	2 pcs

G

M4
1 pc

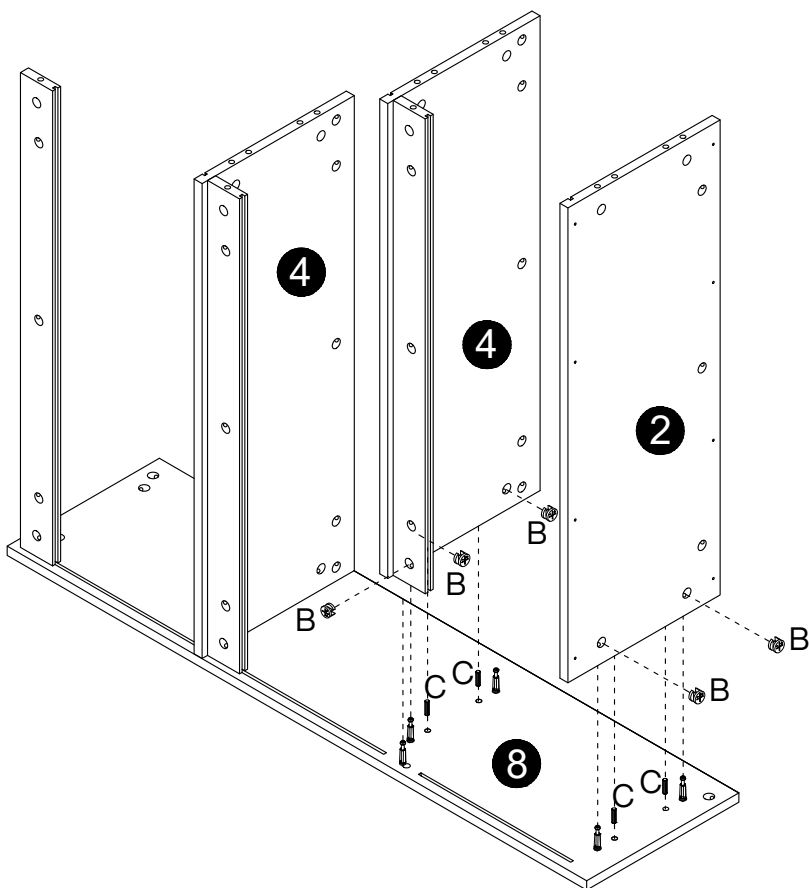


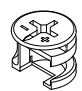
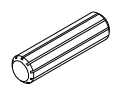
13



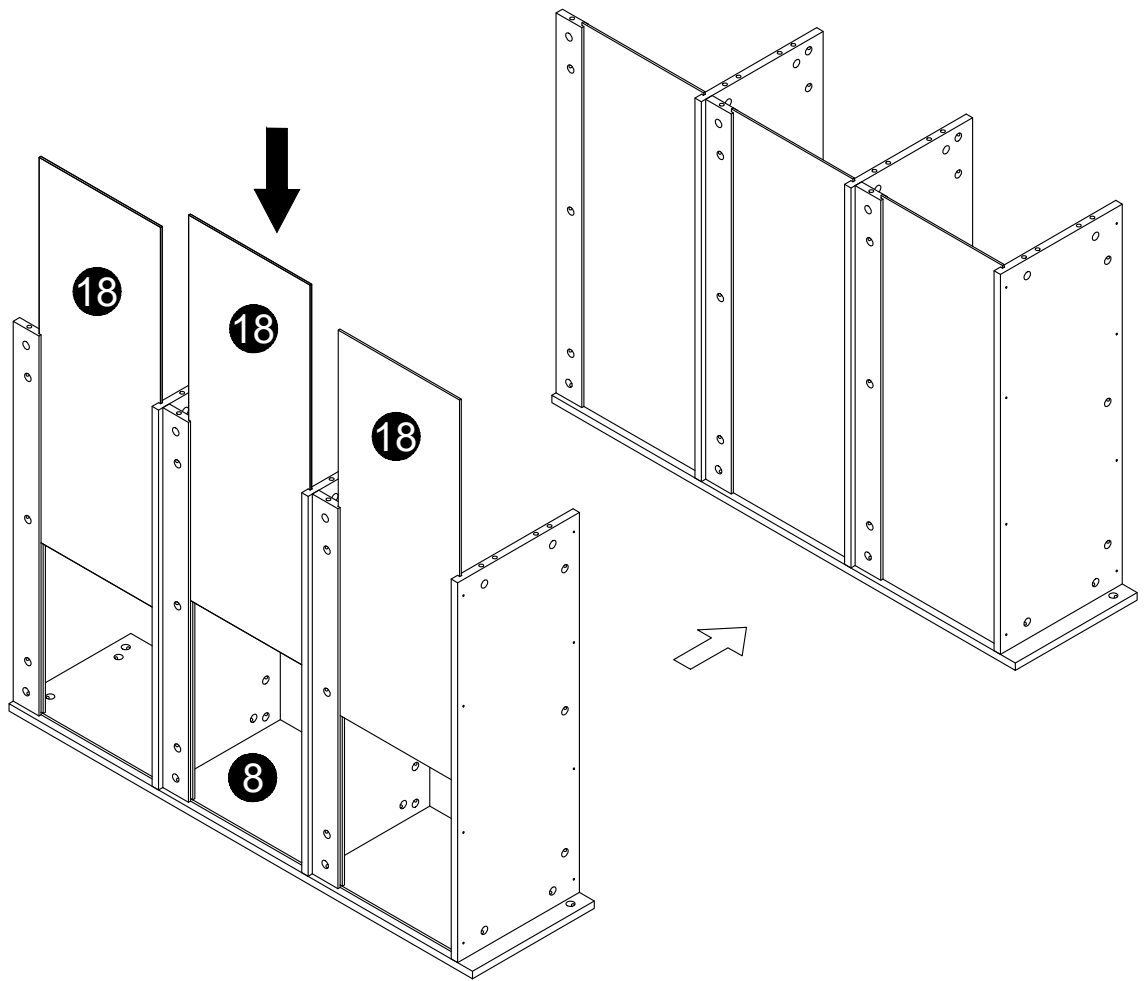
B	C
 Ø15x12mm	 Ø8x30mm
4 pcs	2 pcs

14

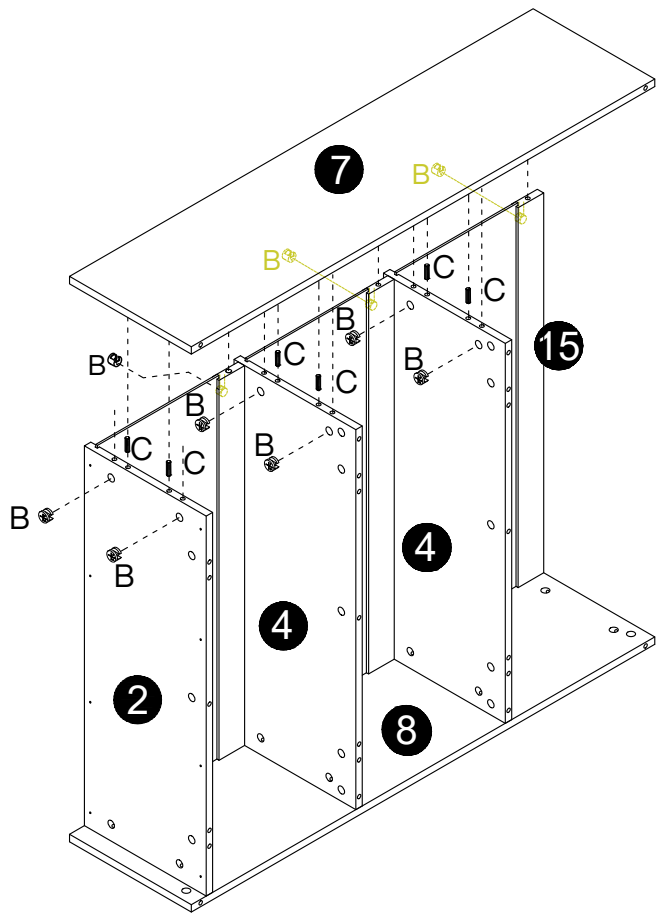



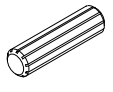
B	C
 Ø15x12mm	 Ø8x30mm
5 pcs	4 pcs

15

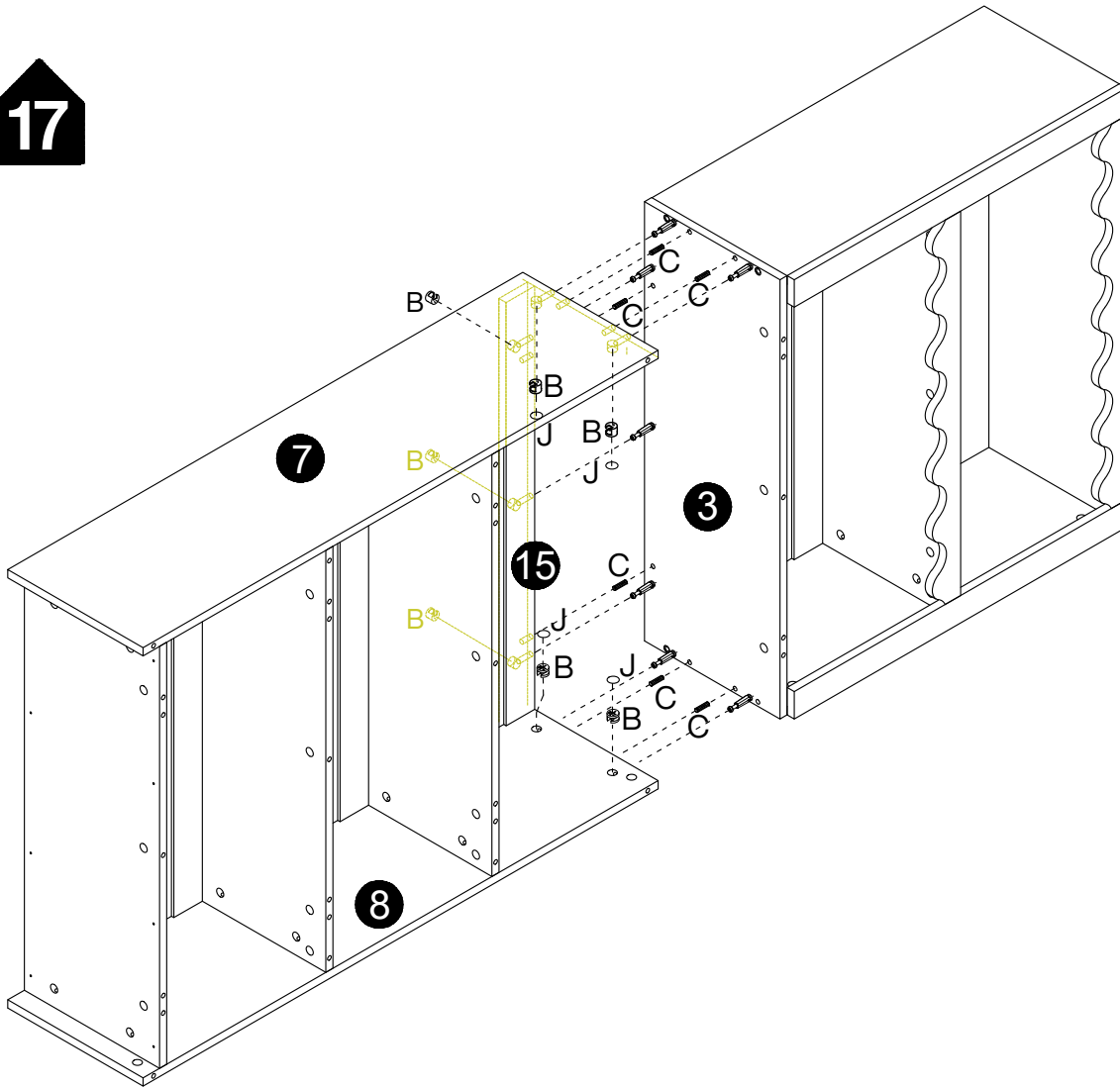



16

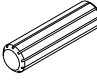



B	C
	
Ø15x12mm	Ø8x30mm
9 pcs	6 pcs

17

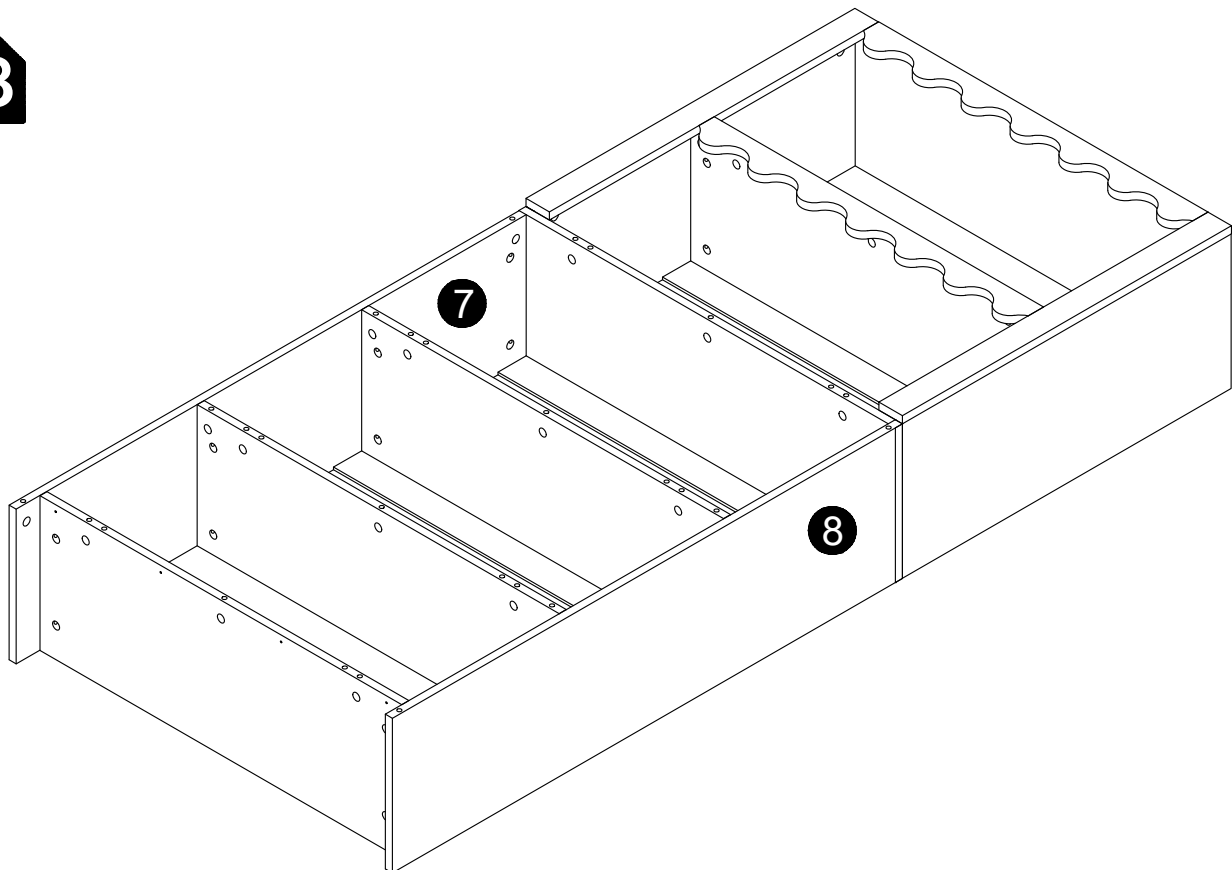


B

Ø15x12mm
7 pcs


C

Ø8x30mm
6 pcs

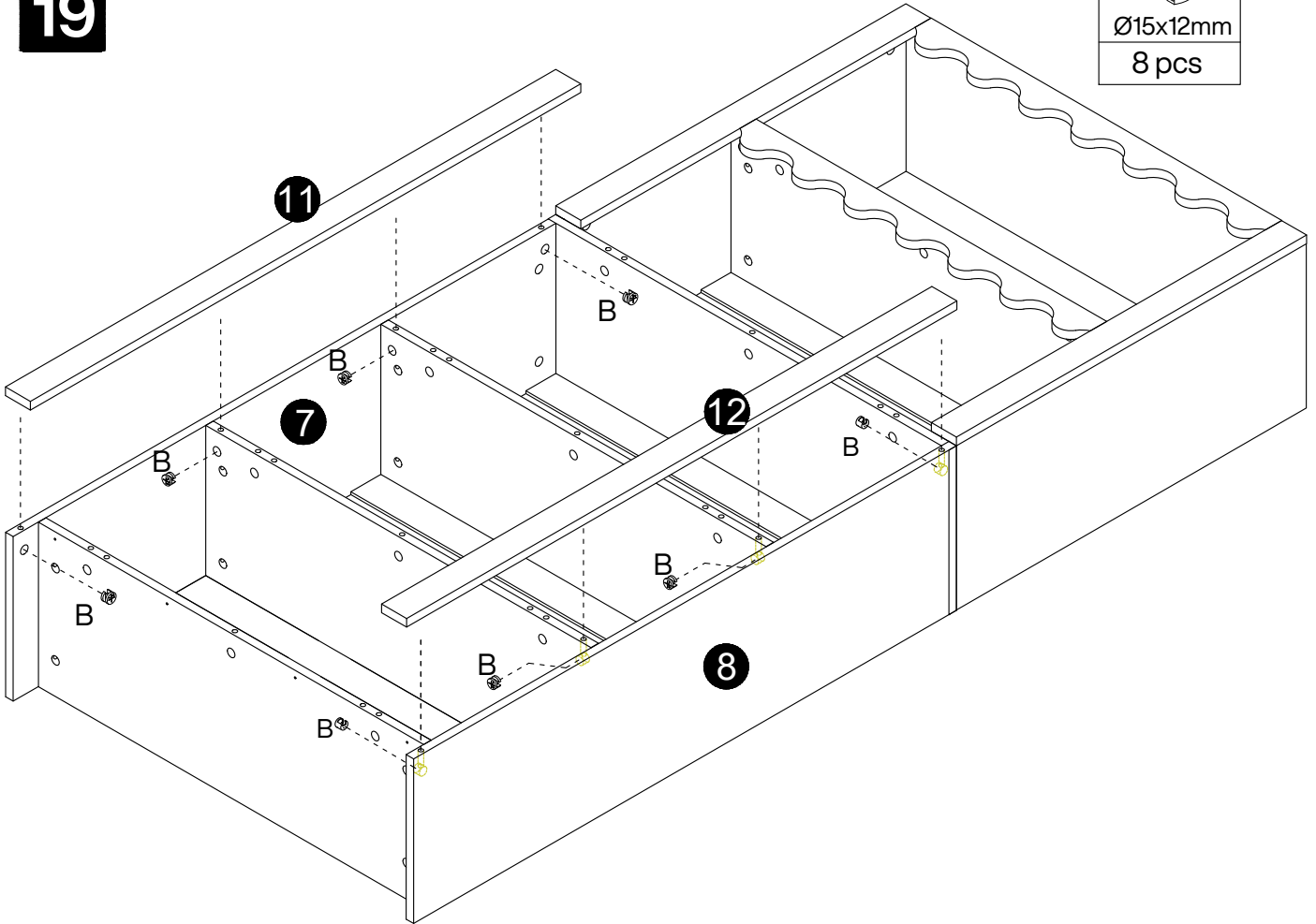
J

Ø21mm
4 pcs

18


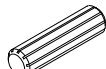


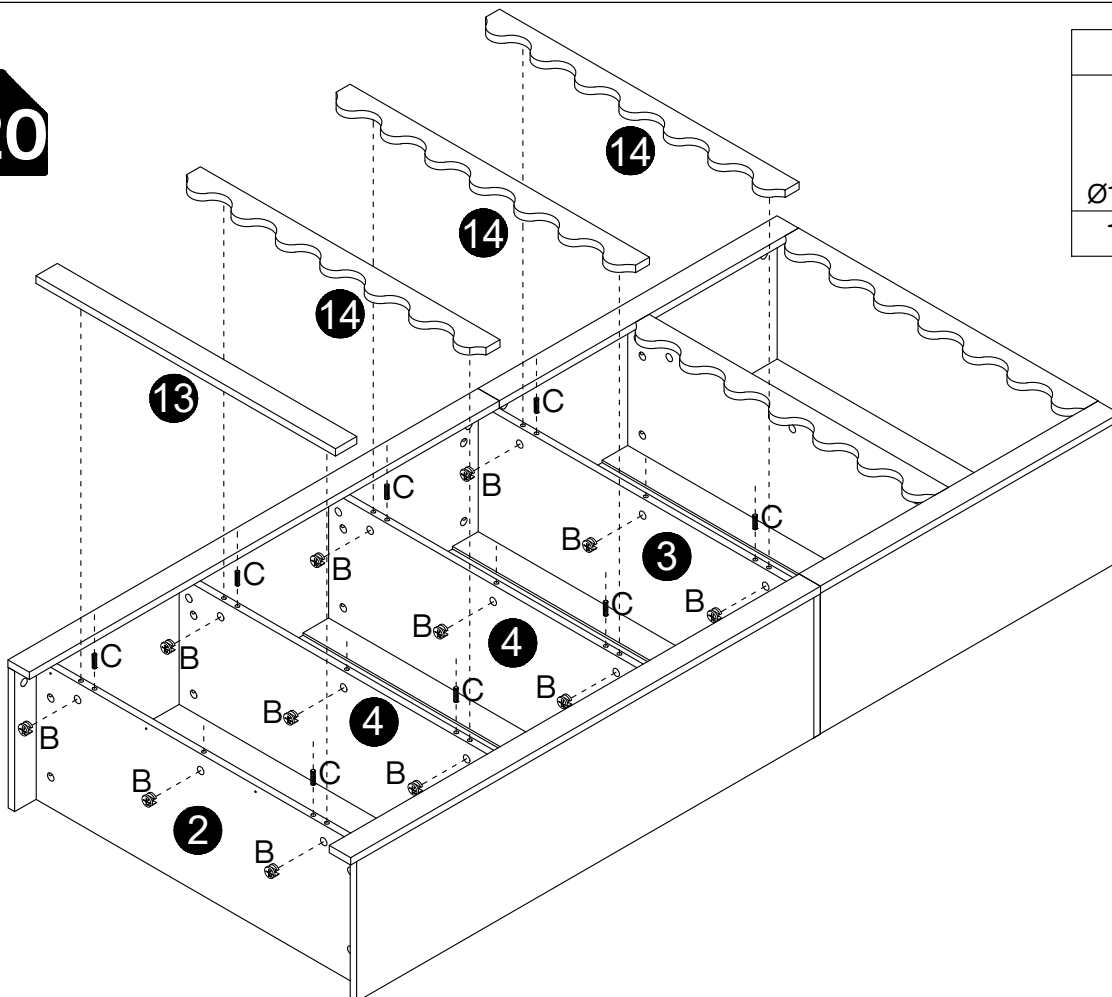
19

B

Ø15x12mm
8 pcs



20

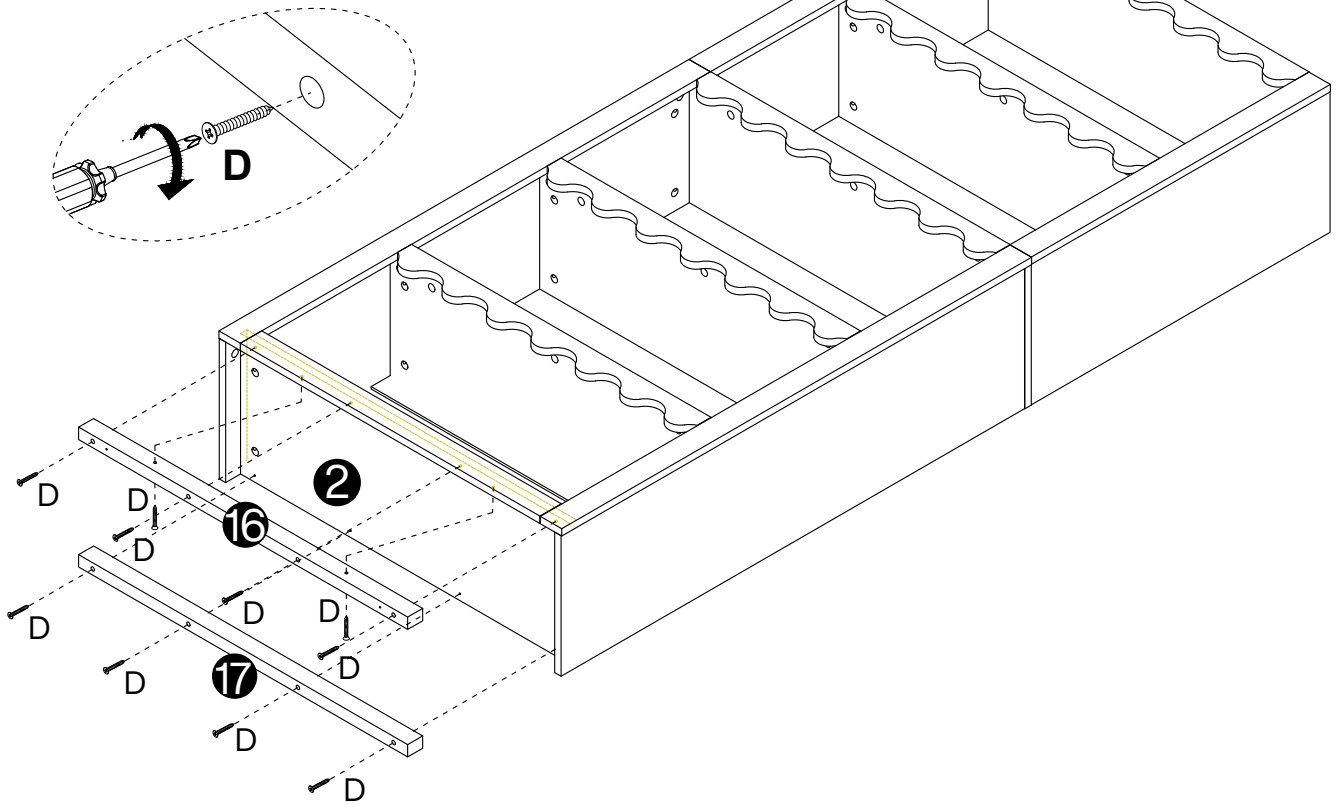
B	C
	
Ø15x12mm	Ø8x30mm
12 pcs	8 pcs




21

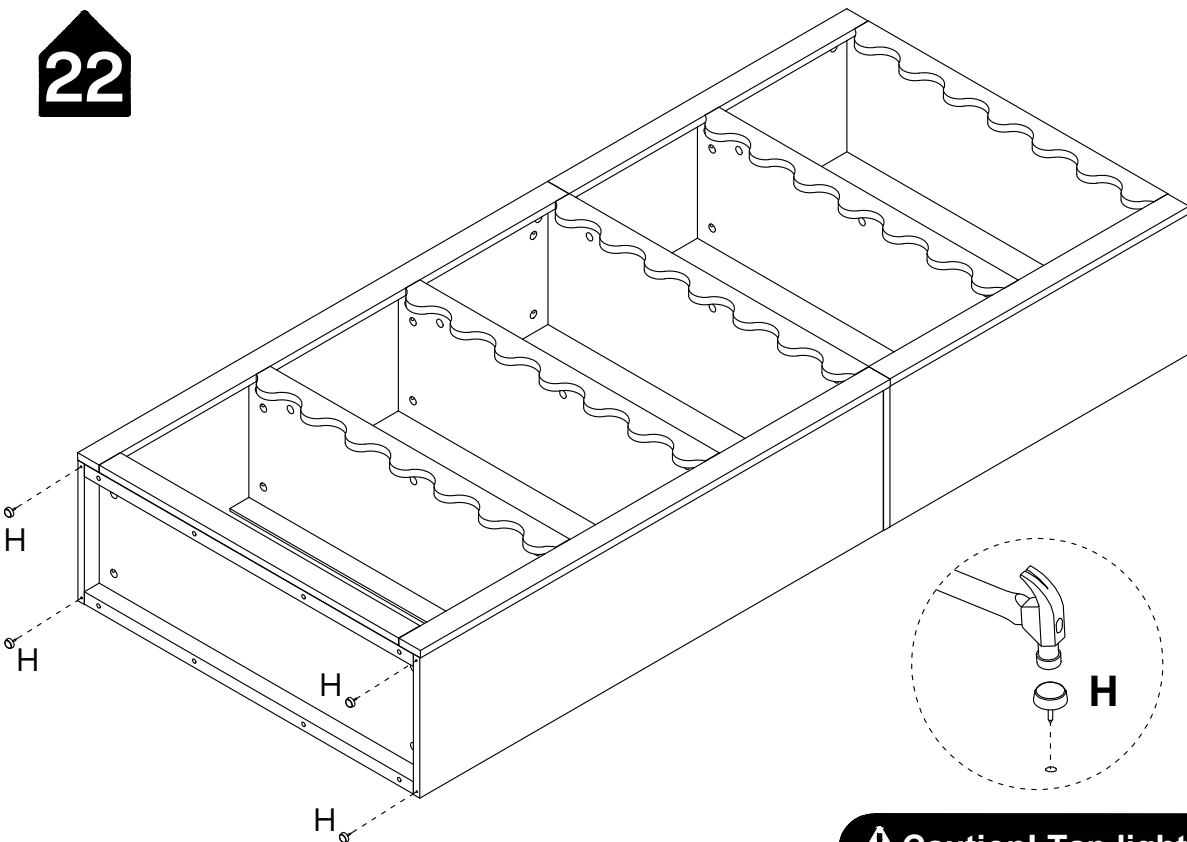
D

Ø4x35mm
10 pcs




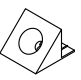
22

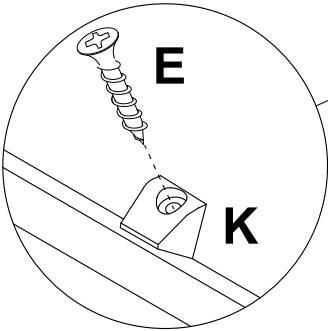
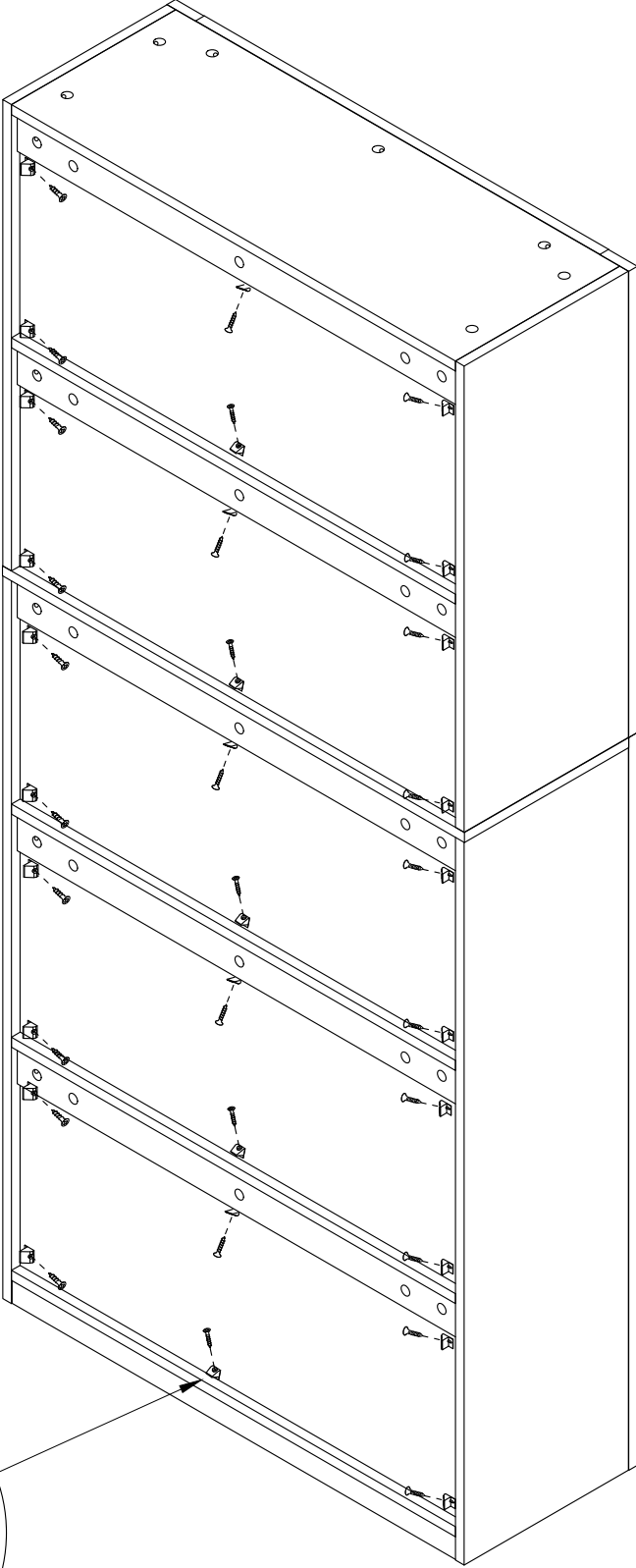
H

4 pcs



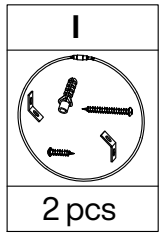
⚠ Caution! Tap lightly

23

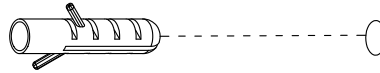
E	K
 Ø3x18mm	
30 pcs	30 pcs



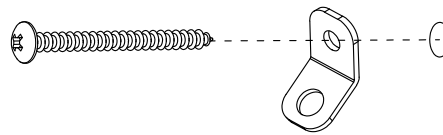
24



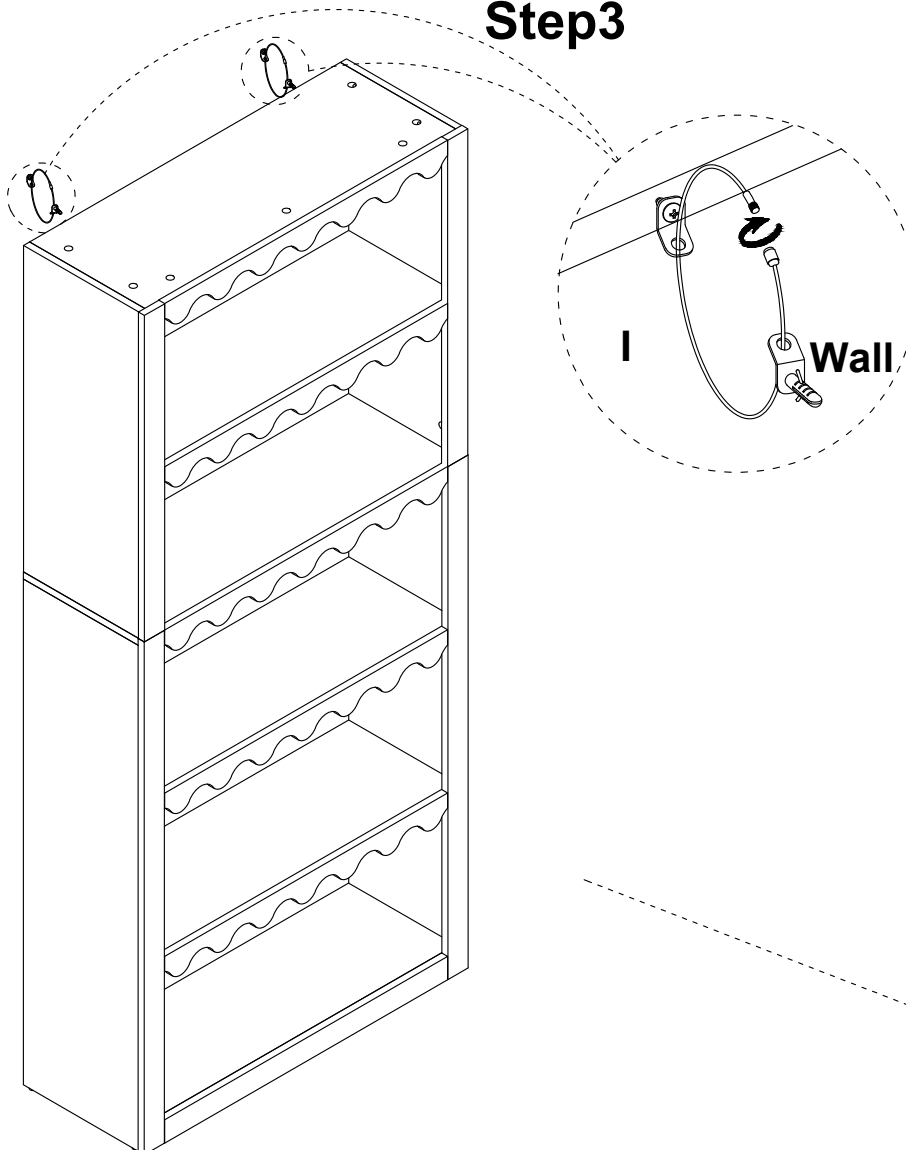
Step1 **Wall**



Step2



Step3



Thank you for your support!

