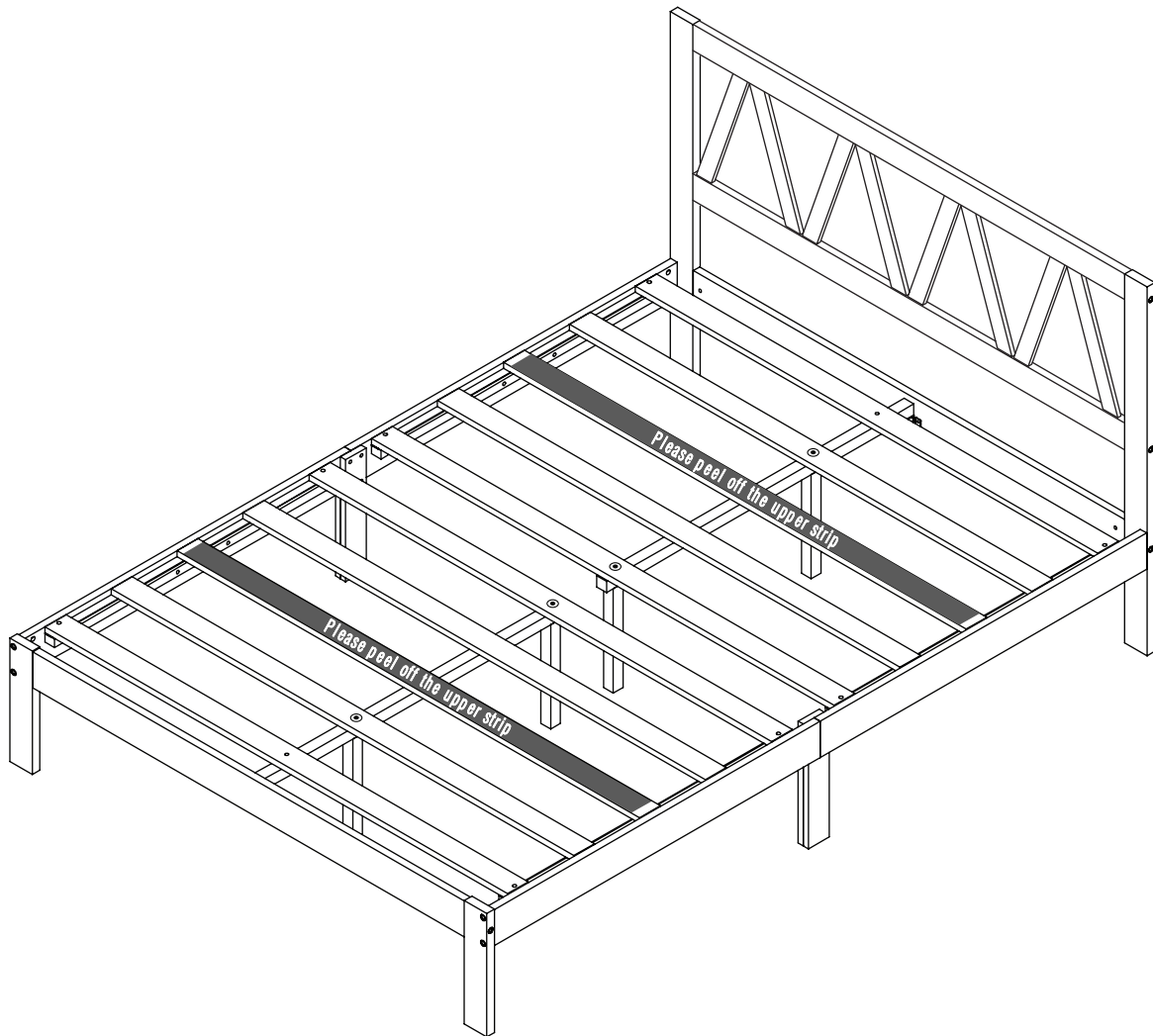
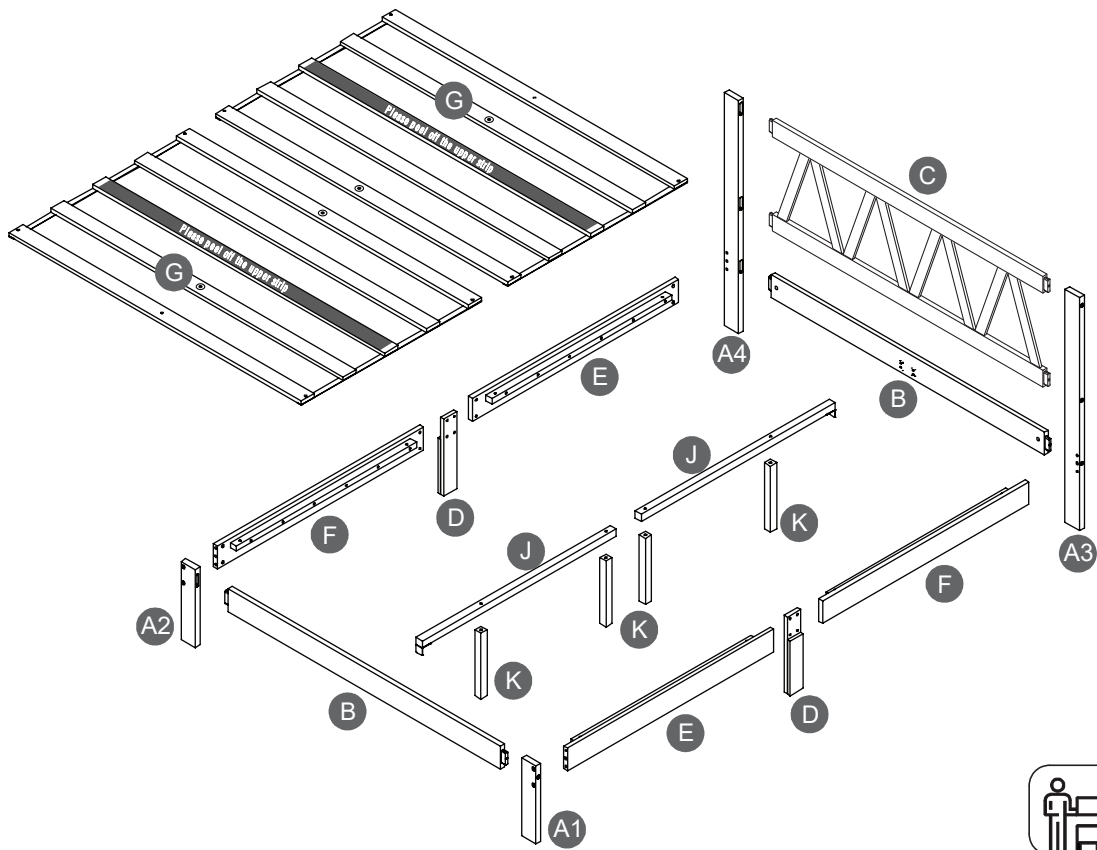






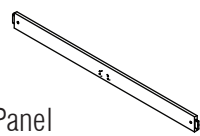
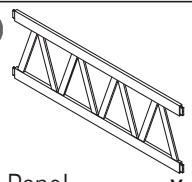

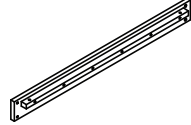
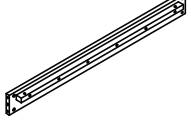

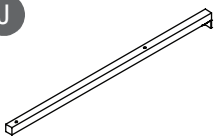

Full & Queen

Assembly Instructions ! Please keep for future reference






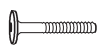
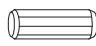


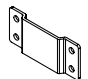
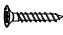
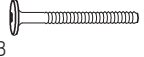


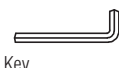


Components



 A1 Foot Post x 1	 A2 Foot Post x 1	 A3 Head Post x 1	 A4 Head Post x 1	 B Hb. Panel x 1 Hb. Support Bar x 2
 C Hb. Panel x 1	 D Side Rail Support x 2	 E Side Rail x 1	 F Side Rail x 2	 G Set of Slats x 2
 J Center Rail x 2	 K Support Leg x 4			

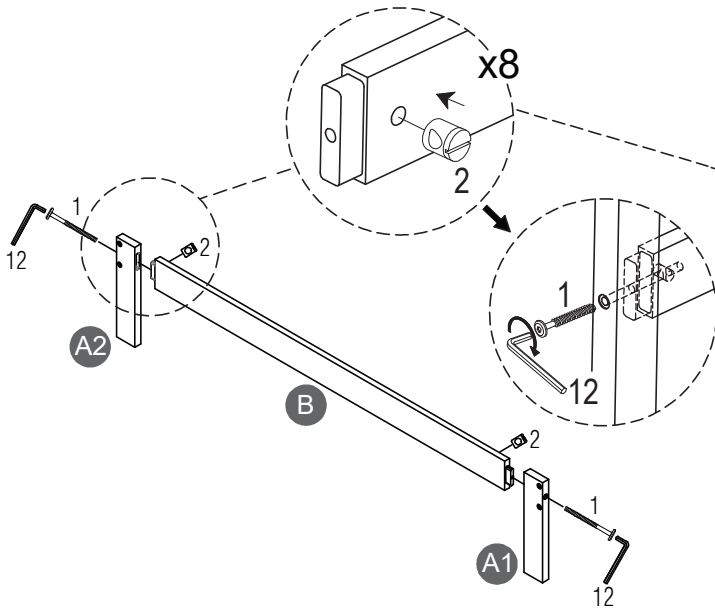
Hardware

Tool required for assembly : * Allen Key(supplied) * Phillips Screwdriver(not supplied)


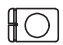
 ① JCBC M6x110mm x 8	 ② Barrel Nut M6 x 15mm x 16	 ③ M6 Flat Washer x 8	 ④ JCBC M6 x 30mm x 8	 ⑤ Wood Dowel M10 x 30mm x 4	 ⑥ JCBC M6 x 65mm x 8	 ⑦ JCBC-W M6 x 30mm x 8
 ⑧ Center Rail Bracket x 2	 ⑨ CSK Screw M4 x 16mm x 8	 ⑩ JCBB M8 x 70mm x 4	 ⑪ M8 Flat Washer x 4	 ⑫ Allen Key M4 x 1	 ⑬ Allen Key M5 x 1	

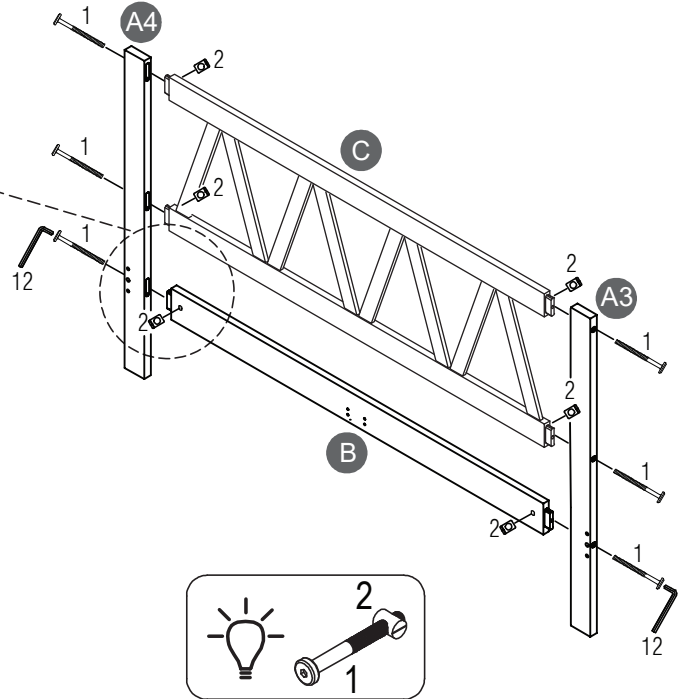
1 Assemble the Foot Post (A1)(A2) to the Fb. Panel (B).

1.	JCBC M6 x 110mm		x 2
2.	Barrel Nut M6 x 15mm		x 2




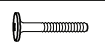
2 Assemble the Head Post (A3)(A4) to the Hb. Panel (C) and Hb Support Bar (B).

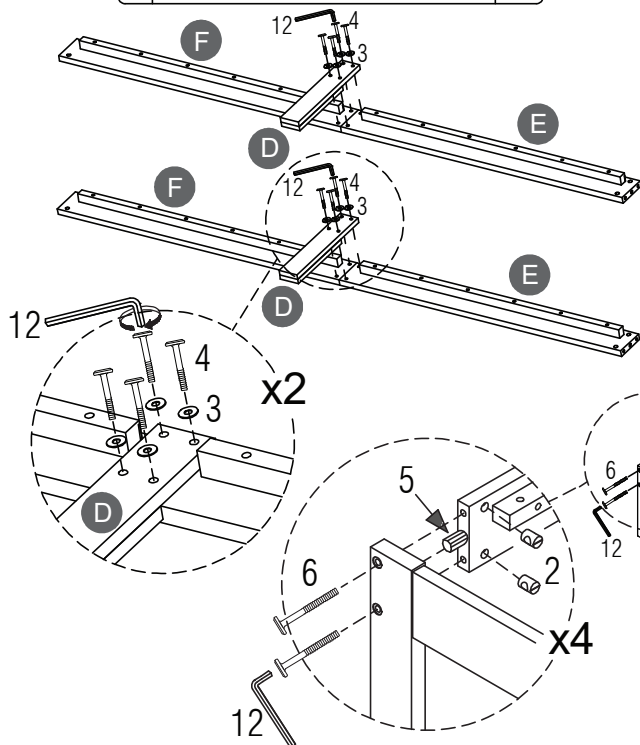
1.	JCBC M6 x 110mm		x 6
2.	Barrel Nut M6 x 15mm		x 6




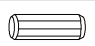

NOTE : DURING ASSEMBLY , DO NOT TIGHTEN ANY SCREWS UNTIL THE COMPLETE UNIT HAS BEEN ASSEMBLED.

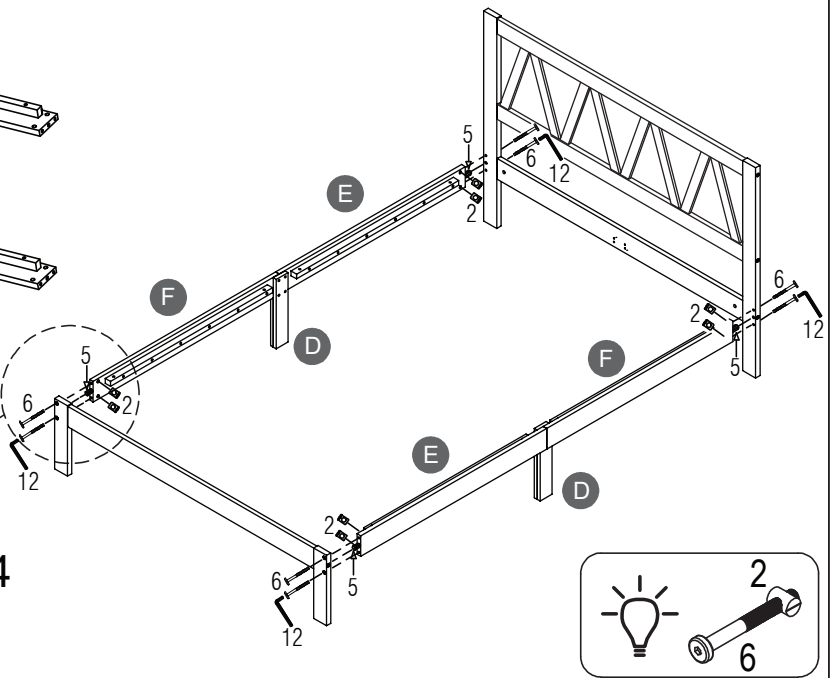
3 Assemble the Side Support Rails (D) to the all the Side Rails (E)(F).

3.	M6 Flat Washer		x 8
4.	JCBC M6 x 30mm		x 8




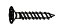
4 Assemble the Side Rails to the Headboard and Footboard.

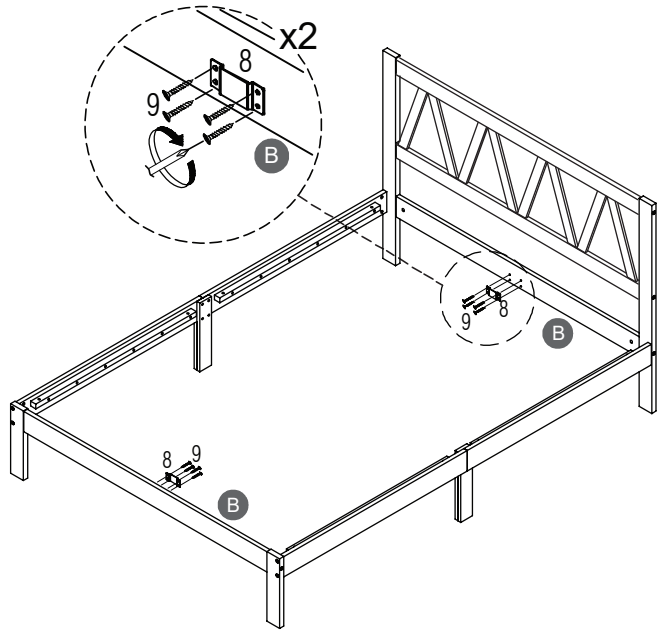
2.	Barrel Nut M6 x 15mm		x 8
5.	Wood Dowel M10 x 30mm		x 4
6.	JCBC M6 x 65mm		x 8



5


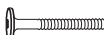

Attach the Center Rail Bracket.

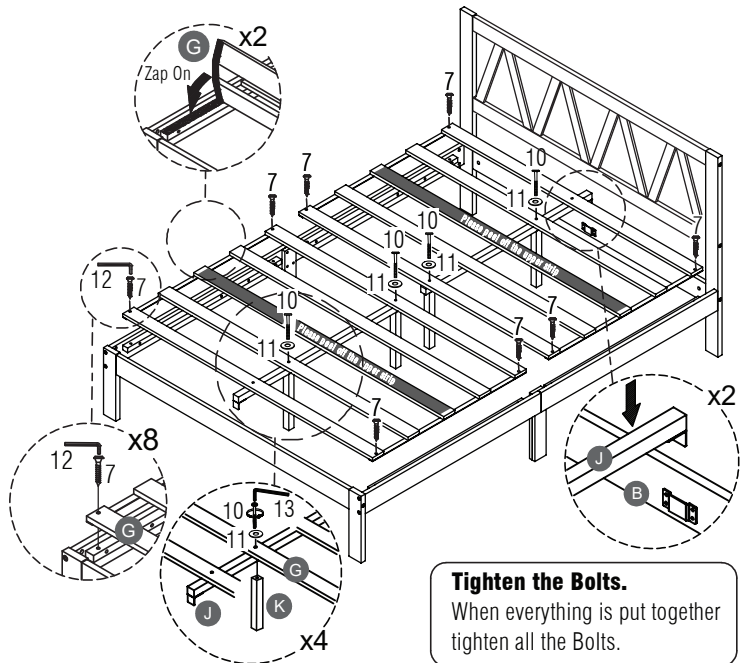
8.	Center Rail Bracket		x 2
9.	CSK Screw M4 x 16mm		x 8



6

Lock the Support Legs (K) onto the Slats (G) and Center Rail (J). Attach the Slats (G).

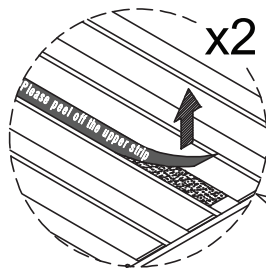
7.	JCBC-W M6 x 30mm		x 8
10.	JCBB M8 x 70mm		x 4
11.	M8 Flat Washer		x 4



Tighten the Bolts.
When everything is put together
tighten all the Bolts.

7

Remove adhesive protection strip from non-slip taped slats as shown to help keep your mattress in place.



Please make sure to only
remove the top vinyl strip
and not the whole tape!

