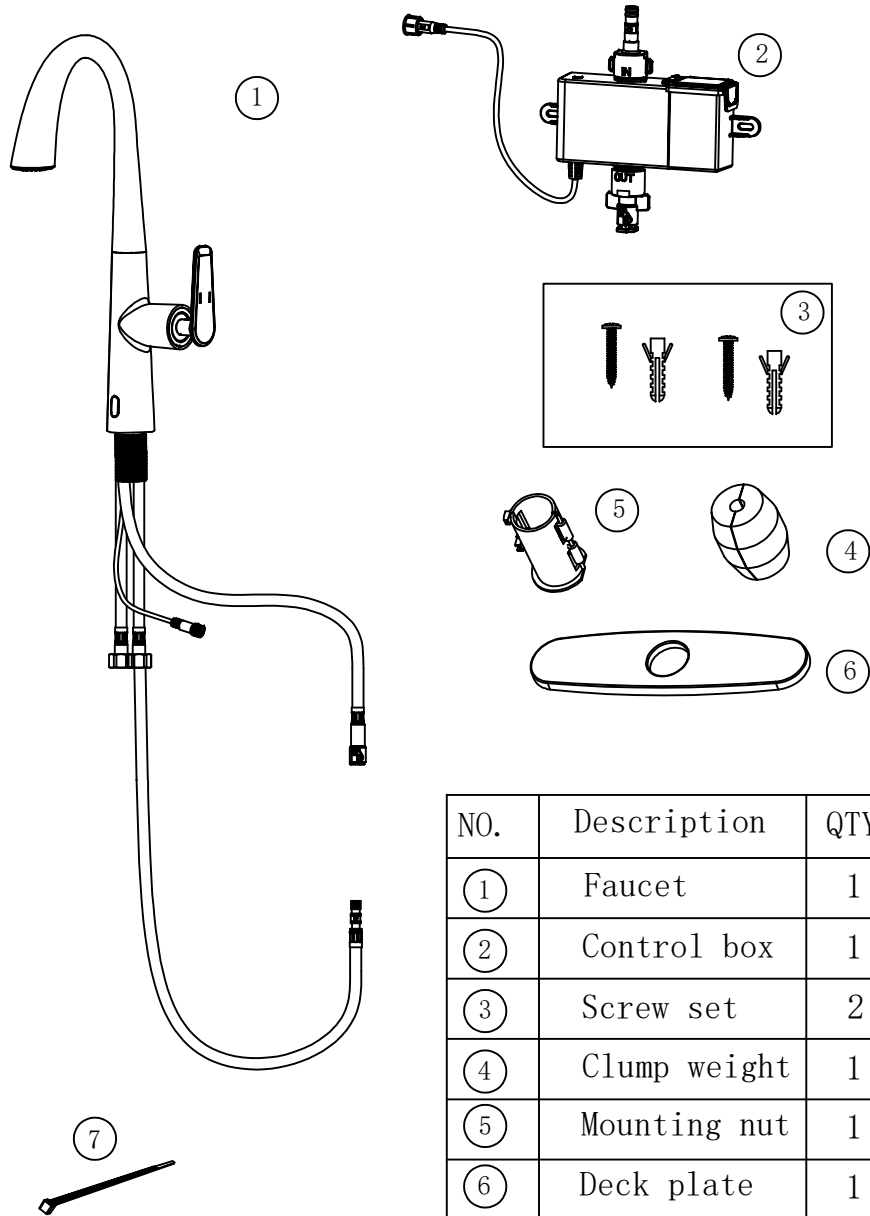


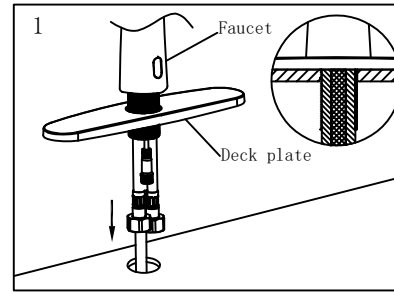
PRODUCT INSTALLATION MANUAL

List of standard parts

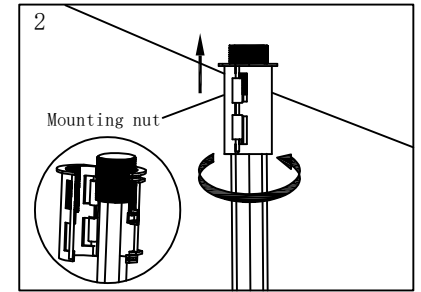


NO.	Description	QTY
①	Faucet	1
②	Control box	1
③	Screw set	2
④	Clump weight	1
⑤	Mounting nut	1
⑥	Deck plate	1
⑦	Zip tie	1

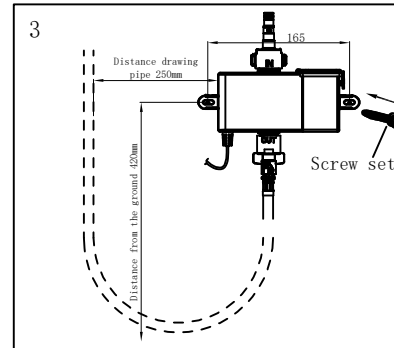
Installation instructions



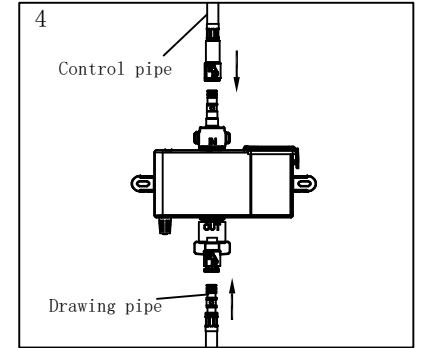
1. Put the bottom of the faucet on the base, and then insert the basin mounting hole.



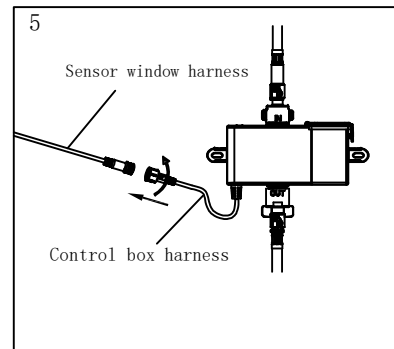
2. Align the quick nut with the thread at the bottom of the faucet. Close and screw up the fixed faucet.



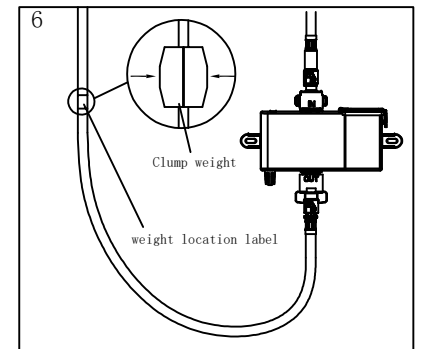
3. Mark and punch two $\varnothing 5.5$ holes as shown in the figure, insert the screw set into the hole.



4. Insert the control pipe downward towards the connector of the control box, and insert the drawing pipe upward.

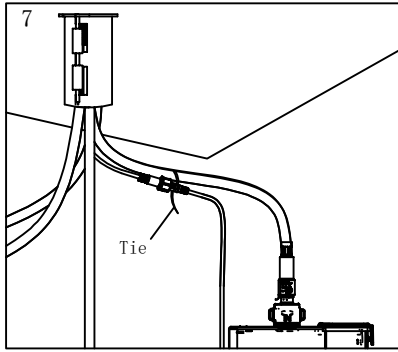


5. Control box harness terminal and induction window line. Connect the harness terminals and tighten them with nuts.

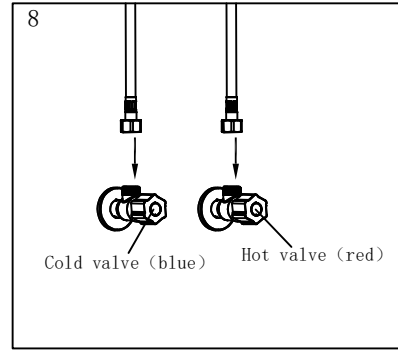


6. Assemble the hose at the mark of the counterweight. And fasten it to the center.

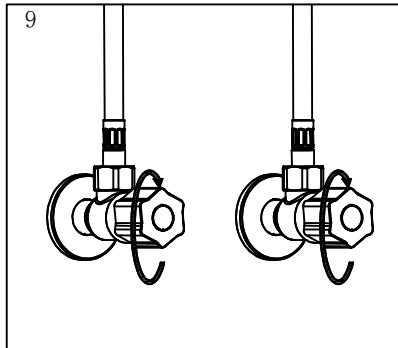
instructions



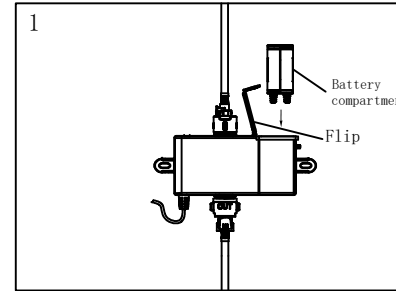
7. Bind the connected harness and control pipe with a tie



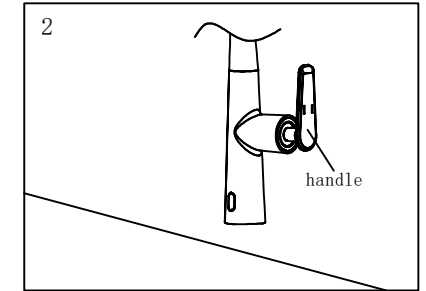
8. Connect the hot & cold supply lines onto the matching water valves and secure the connection with an adjustable wrench (pay attention to hot & cold signs).



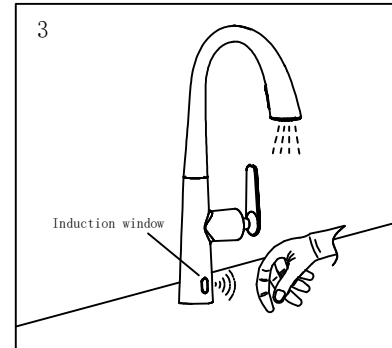
9. Turn on the water supply and check the water connections for leaks.



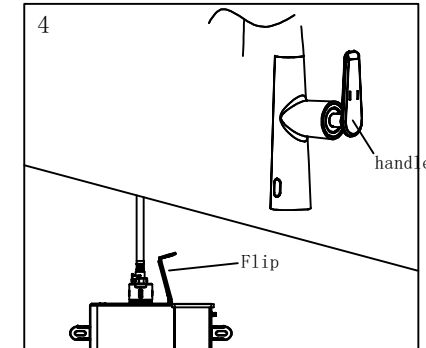
1. Open the flap and install four No. 5 batteries. Put it into the battery compartment and then put it into the control box. Inside, close the flap.



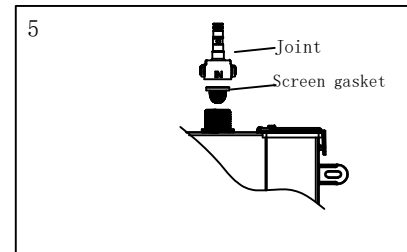
2. Pull your hand back to adjust the ratio of water output to cold and hot water (Hot left & cold right)



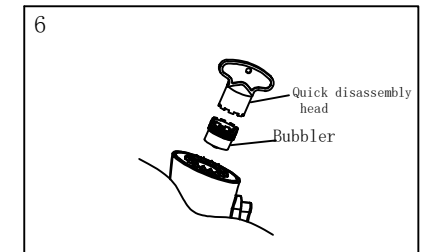
3. When the hand is close to the sensing window, the faucet will automatically open. Water out, close to it again and close the water out.



4. In case of power failure, open the flap and use the handle to control the water outlet of the tap.



5. When there is no water, unscrew the connector and take it out. Clean the filter screen gasket with clean water and replace it.



6. Disassemble bubbles with quick release head. Wash the container with clean water and replace it.