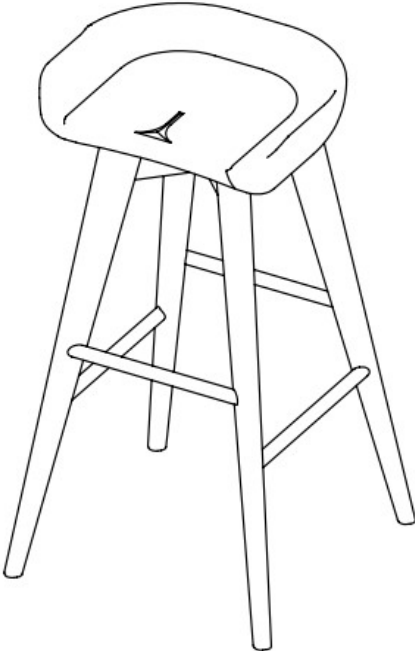


ASSEMBLY INSTRUCTION





A

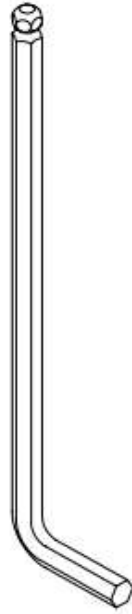
8PCS
M6*10

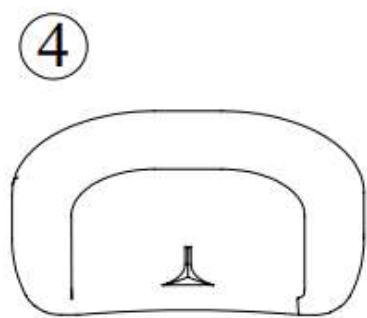
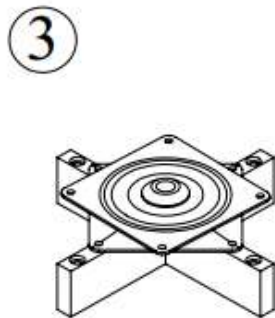
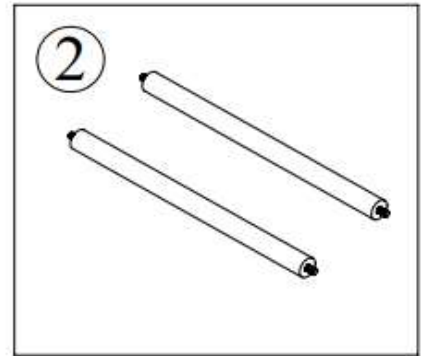
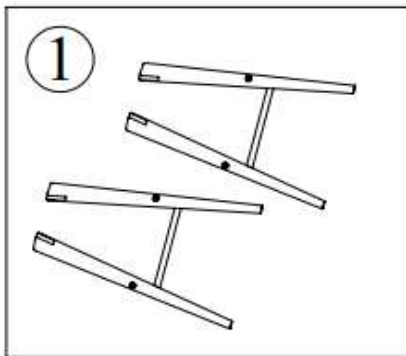
B

8PCS
M6*13

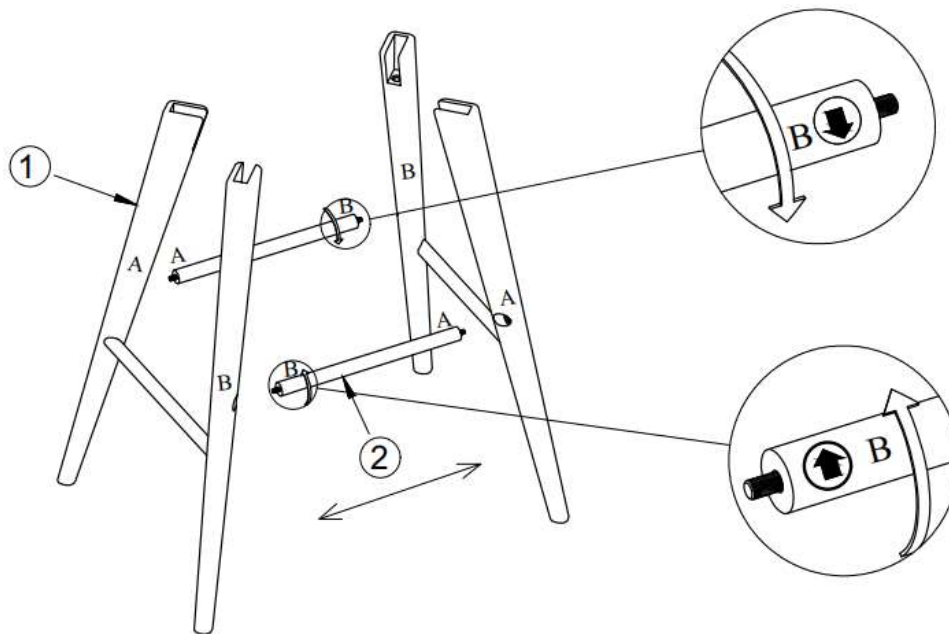
C

4PCS
M6*25

D

4PCS
M6*70

E

1PC
Allen Wrench
M4*110



01



-Locate both leg assemblies (Part 1) and stretchers (Part 2).

-Starting with one stretcher, match the letter on the ends of the stretcher to the letter on the threaded holes on the legs.

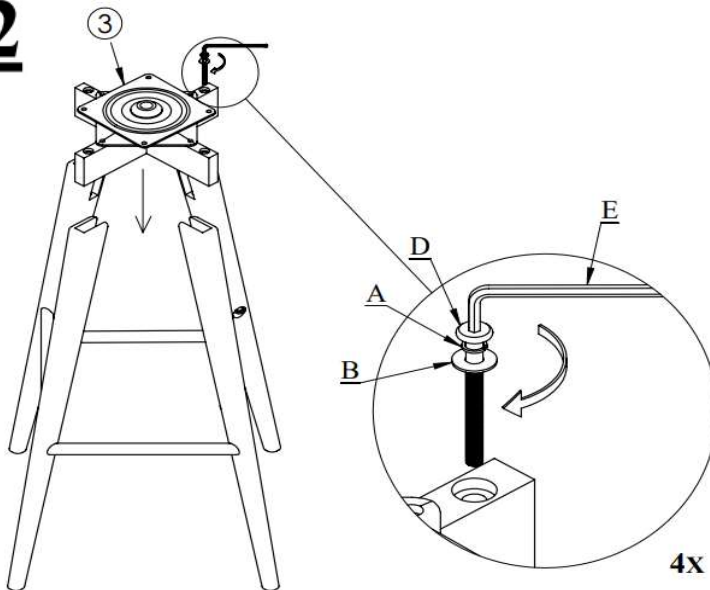
-Repeat above step for the remaining stretcher.




-With both stretchers inserted in BOTH leg assemblies, tighten both stretchers by turning them towards each other until completely tightened in both legs.

-When both stretchers are installed, check for tightness before proceeding to the next assembly step.

!! Hand tighten stretchers only, do not use any tools !!

02






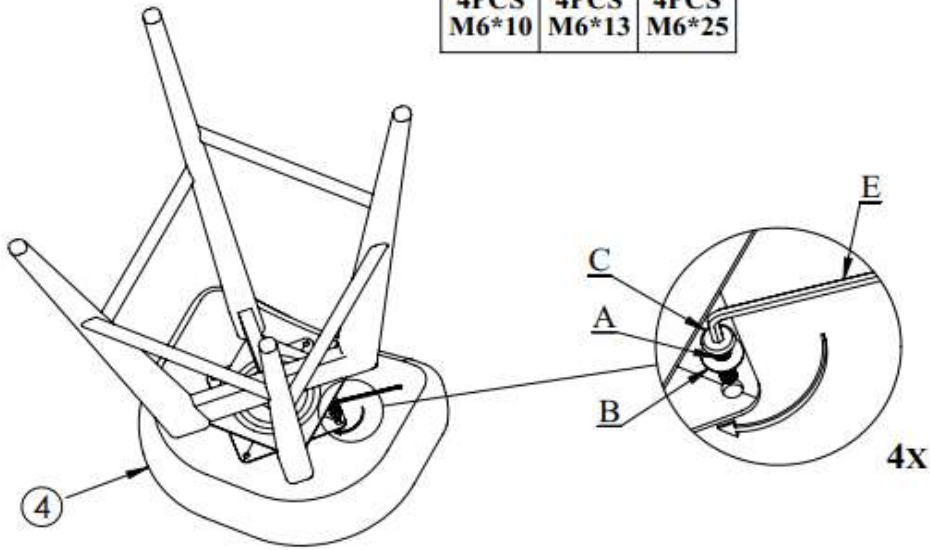
A	B	D
		
4PCS M6*10	4PCS M6*13	4PCS M6*70

TIGHTEN BOLT COMPLETELY

4x

03

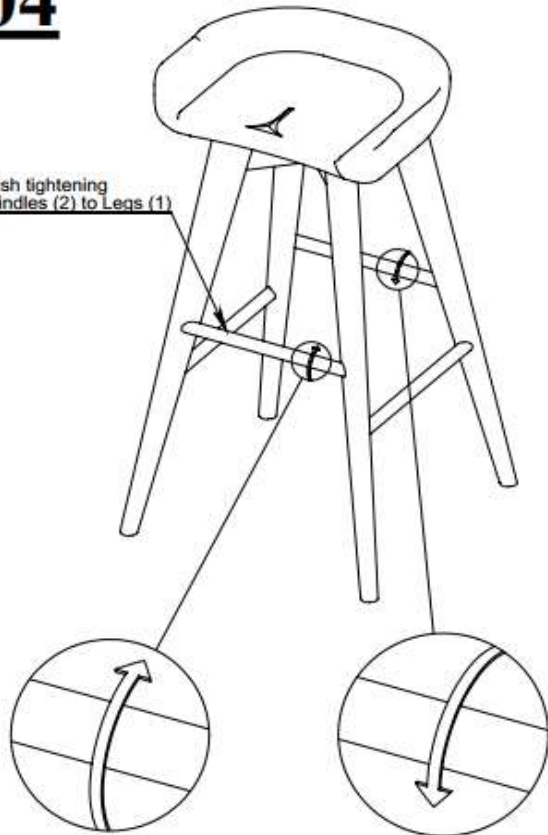
A 	B 	C 
4PCS M6*10	4PCS M6*13	4PCS M6*25



TIGHTEN BOLT COMPLETELY

04

Finish tightening
Spindles (2) to Legs (1)



BE SURE TO CHECK ALL BOLTS SECURELY
TIGHTENED PRIOR USING THIS STOOL