

# ASSEMBLY INSTRUCTIONS

HLGMFL009/010/011/012

Description: Shower Bench Stool

## Important safety instructions:

- Please carefully read all instructions before assembling.
- For your safety and ease, assembly by two or more adults is recommended.
- Keep instructions for future use.

## Pre-assembly:

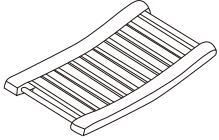
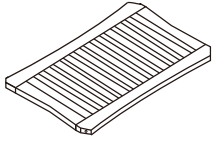
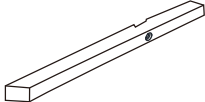
- Do not discard any contents until after assembly is complete to avoid accidentally discarding small parts or hardware.
- Remove all parts and hardware from box along with any plastic protective packaging.

## After-sales service :


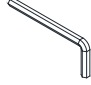

Thank you for purchasing our product. If you find any troubles with assembly or missing or damaged parts, please feel free to contact us. We will assist you to solve any troubles.

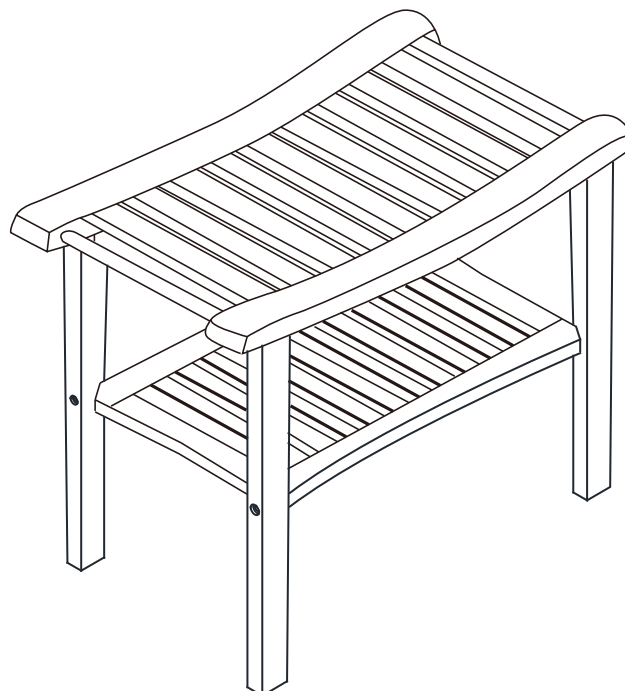
24 Hours Online Customer Service For You

## Parts List

Item	Description	QTY
1	Top frame 	1
2	Shelf rack 	1
3	Leg 	4

## Hardware List

Item	Description	QTY
A	Screw 	4
B	Allen wrench 	1
C	Bolt 	8 + 1 extra

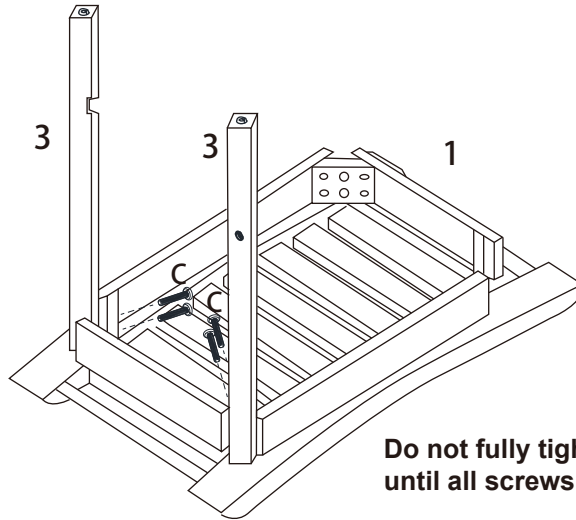
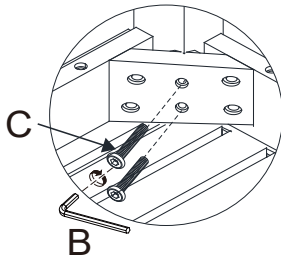


Step 1.

(B) x 1



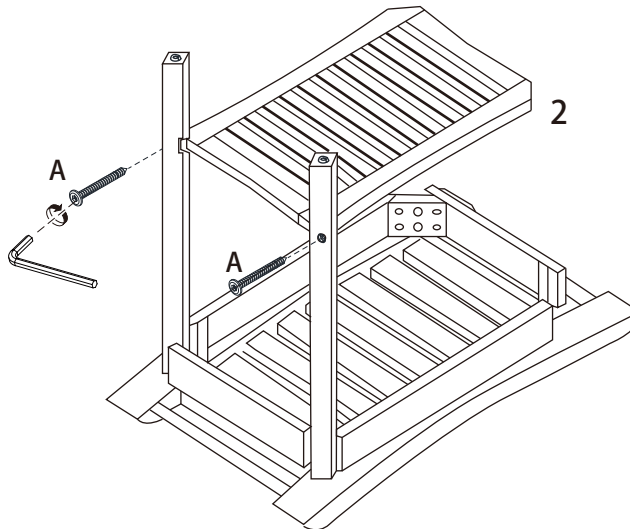
(C) x 4



Do not fully tighten screws until all screws are in position.

Step 2.

(A) x 2

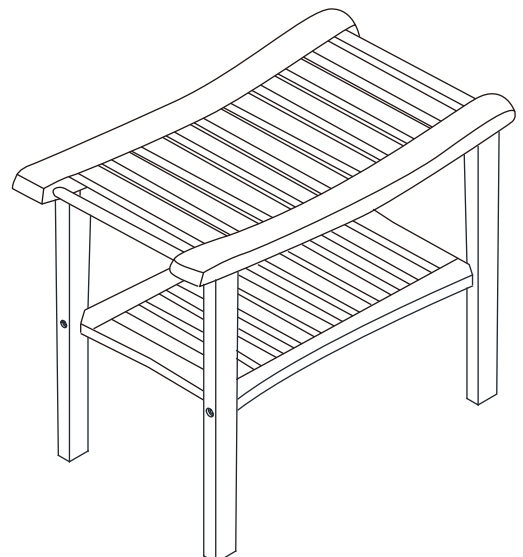
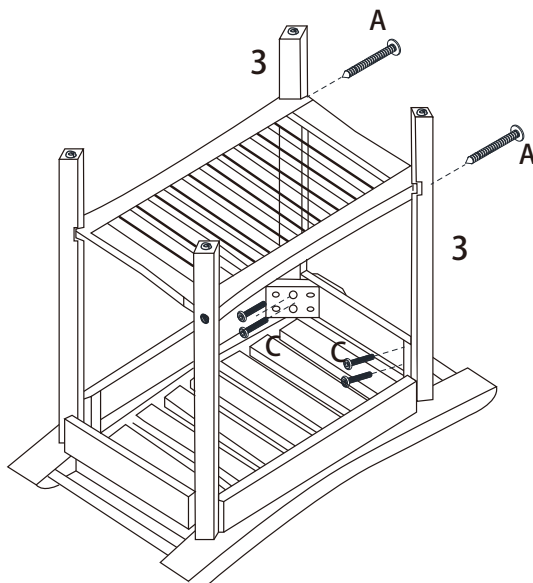


Step 3.

(A) x 2



(C) x 4



Tighten all screws