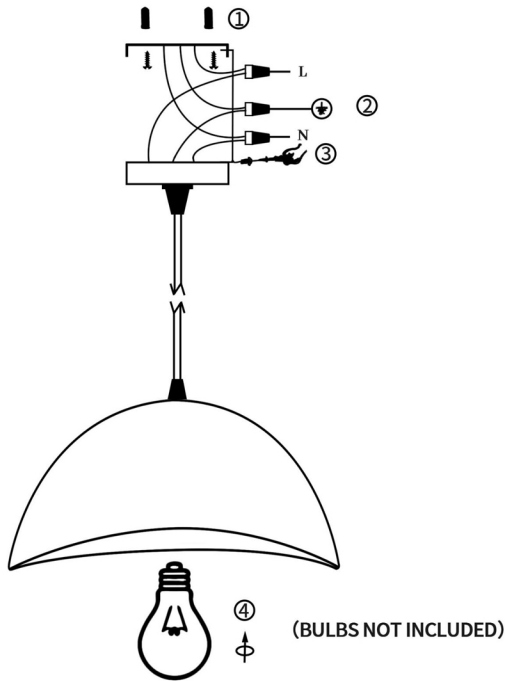


Franing - User Manual

Installation Instructions



Turn off the power switch before install the lamp

1. Install the hanging board on the ceiling.
2. Connect the power cord as shown.
3. Fix the ceiling tray with the lamp on the hanging board.
4. Install an LED light source

Connect the power supply and turn on the power switch

SPECIFICATIONS

Rated Voltage	AC 110-120V
Rated Power	Max 60W
Location	Indoor use only
Lifespan	>30000 hours

SAFETY INSTRUCTIONS



Do not use at
dry locations only



Do not use damaged
power cords



Keep children
supervised