

**COLLIER  
70" ACRYLIC DOUBLE  
ROLL TOP TUB**

Cat. No.  
ATDRN70I



L: 70"  
W: 31-3/4"  
H: 23-3/4"

Water depth: 16 1/4" to top of tub  
Water depth: 11-5/8" to overflow

**The following is recommended for ATDRN70I tubs:**

- Faucets: part #4602, 4022 or 4025
- Rigid, freestanding supplies: part #45024
- Leg tub drain: part #5599LT



Overflow can be drilled. With overflow drilled this tub requires drain 5599E. Tubs that have been drilled with overflow are "special order" and are not returnable.

Gallon Capacity: 57  
Shipping Weight: 425 lbs.  
Empty Weight: 200 lbs.  
Filled Weight: 676 lbs.

**Features:**

- ▶ Interior and exterior walls acrylic sheets
- ▶ Space between walls partially filled with fiberglass & resin
- ▶ No faucet holes
- ▶ No overflow
- ▶ Aluminum imperial feet available in 4 finishes
- ▶ Tub is thoroughly inspected before shipment



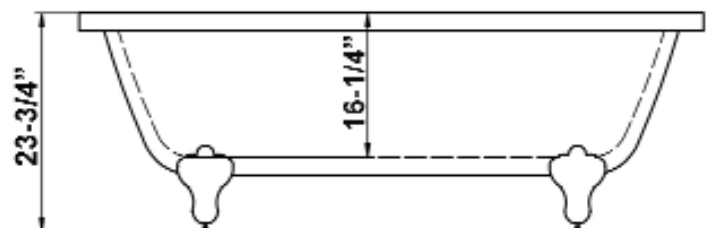
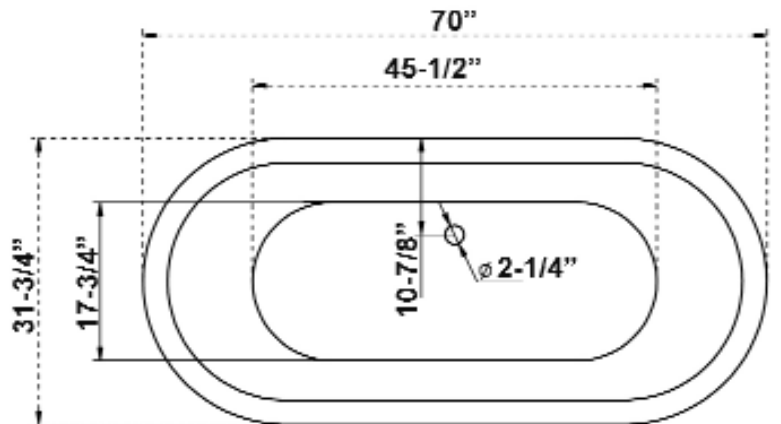
**Feet Finishes:**

- BN** Brushed Nickel
- CP** Polished Chrome
- PB** Polished Brass
- ORB** Oil Rubbed Bronze



**WARNING:** This product can expose you to chemicals, including Toluene and Styrene, which are known to the state of California to cause cancer and birth defects or other reproductive harm. For more information go to [www.P65Warnings.ca.gov](http://www.P65Warnings.ca.gov)

**Custom Colors Available** (inside of tub is always white enamel):  
Painted bathtubs are considered "special order" and are not returnable  
\$160 Bisque or Black \$250 Designer Color



Dimensions of fixture are nominal and specifications subject to change without notice.