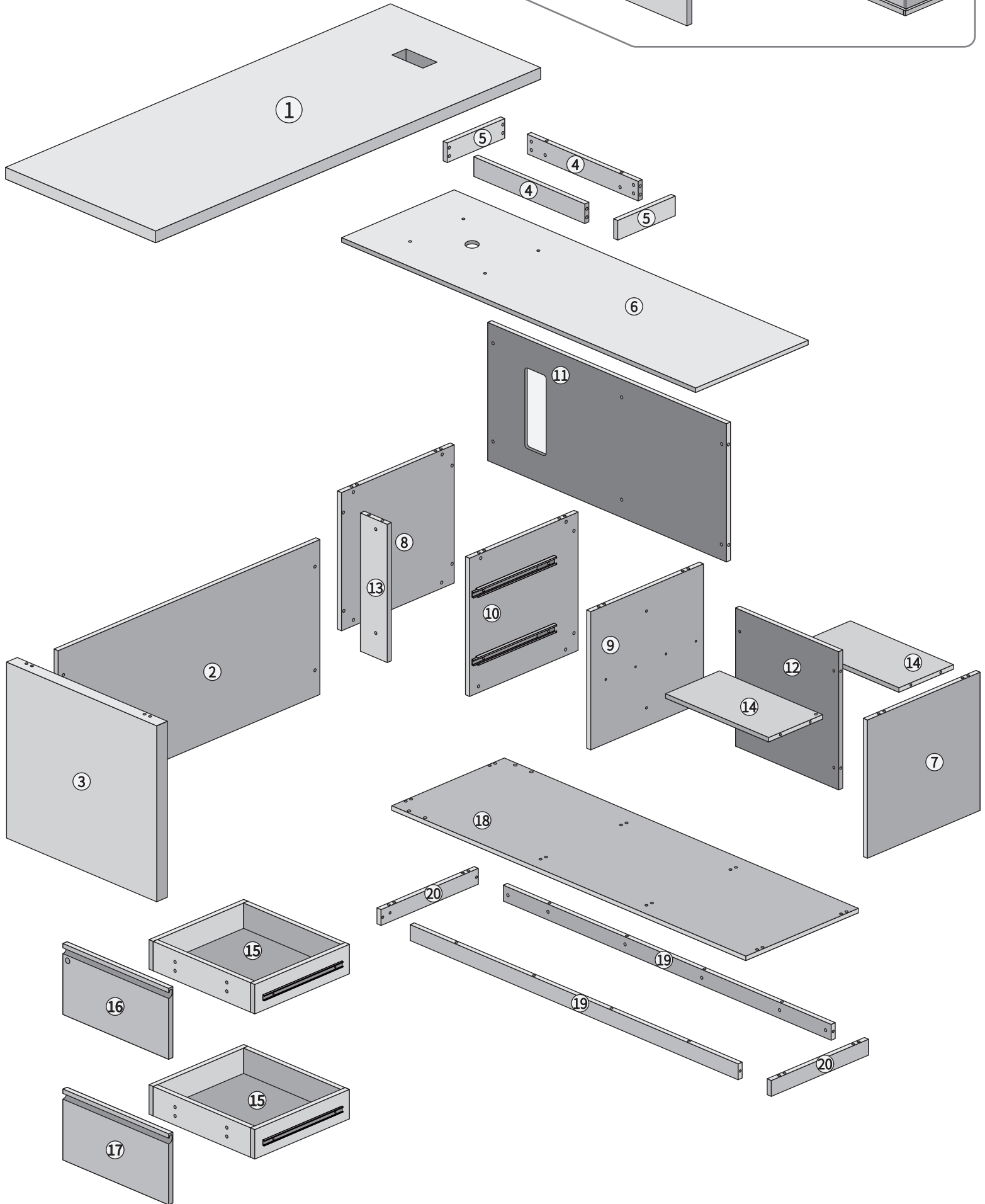
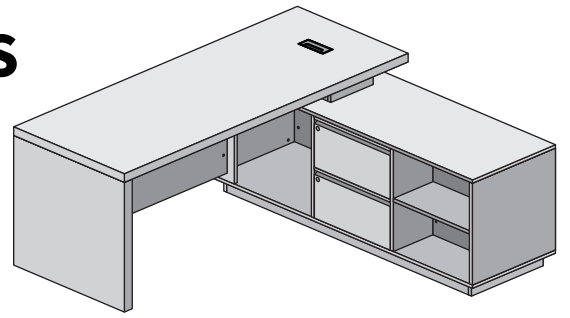


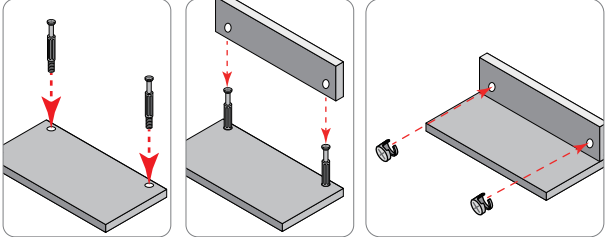

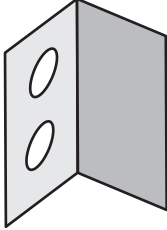
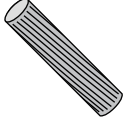
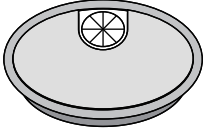

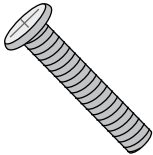
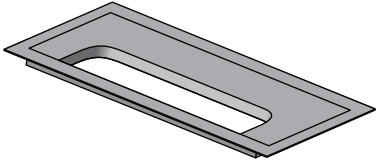

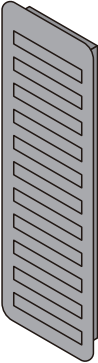


INSTALLATION INSTRUCTIONS



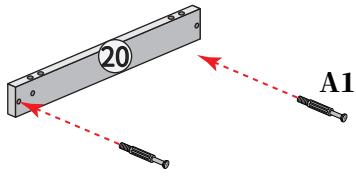
PARTS LIST

<p>A</p>	<p>A1</p>  <p>Three-in-one screw</p> <p>(The 3-in-1 connector consists of two parts)</p>	<p>A2</p>  <p>Eccentric nut</p>	
<p>B</p>	 <p>Anti-slip nail</p>		<p>G</p>  <p>Lock piece</p>
<p>C</p>	 <p>Wooden tenon</p>		<p>H</p>  <p>Cable holes</p>
<p>D</p>	 <p>Self-tapping screw</p>		
<p>E</p>	 <p>Screw</p>		<p>I</p>  <p>Desktop cable holes</p>
<p>F</p>	 <p>Layer board nail</p>		<p>J</p>  <p>Computer vents</p>

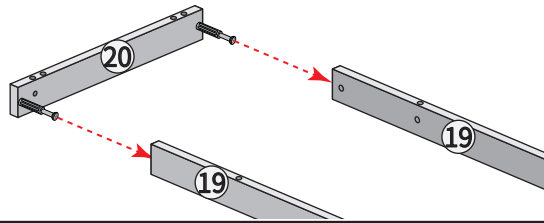
STEP 1

The vertical assembly between each two boards is connected in this way.

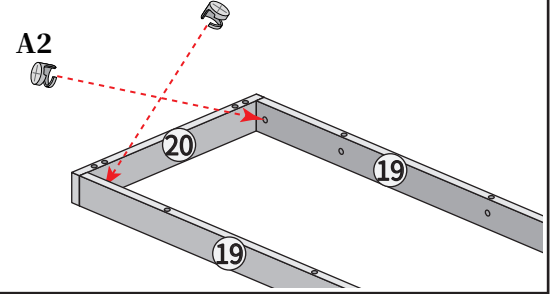
Install the #A1 (three-in-one screw) into the hole on the #20 board.



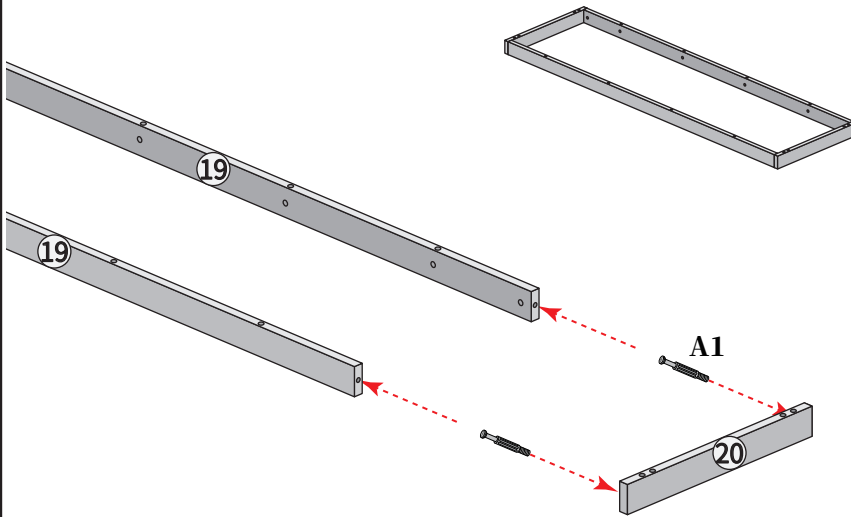
Align the #19 board with the screw, and then join the two boards together.



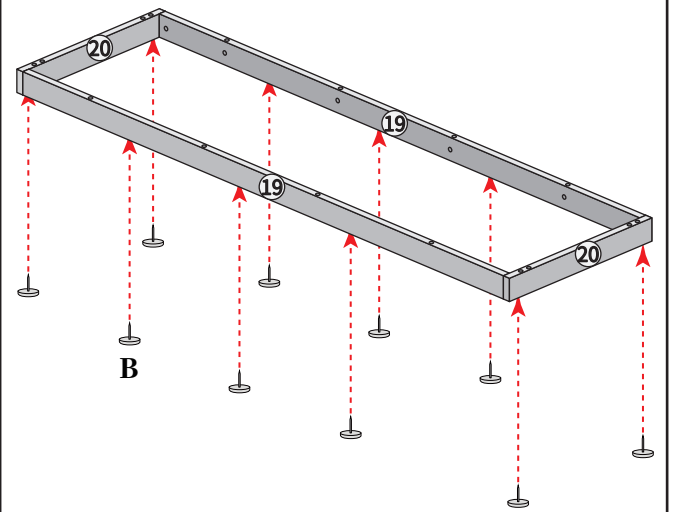
Fix #A2 onto the hole on #19 board and tighten it.

**STEP 2**

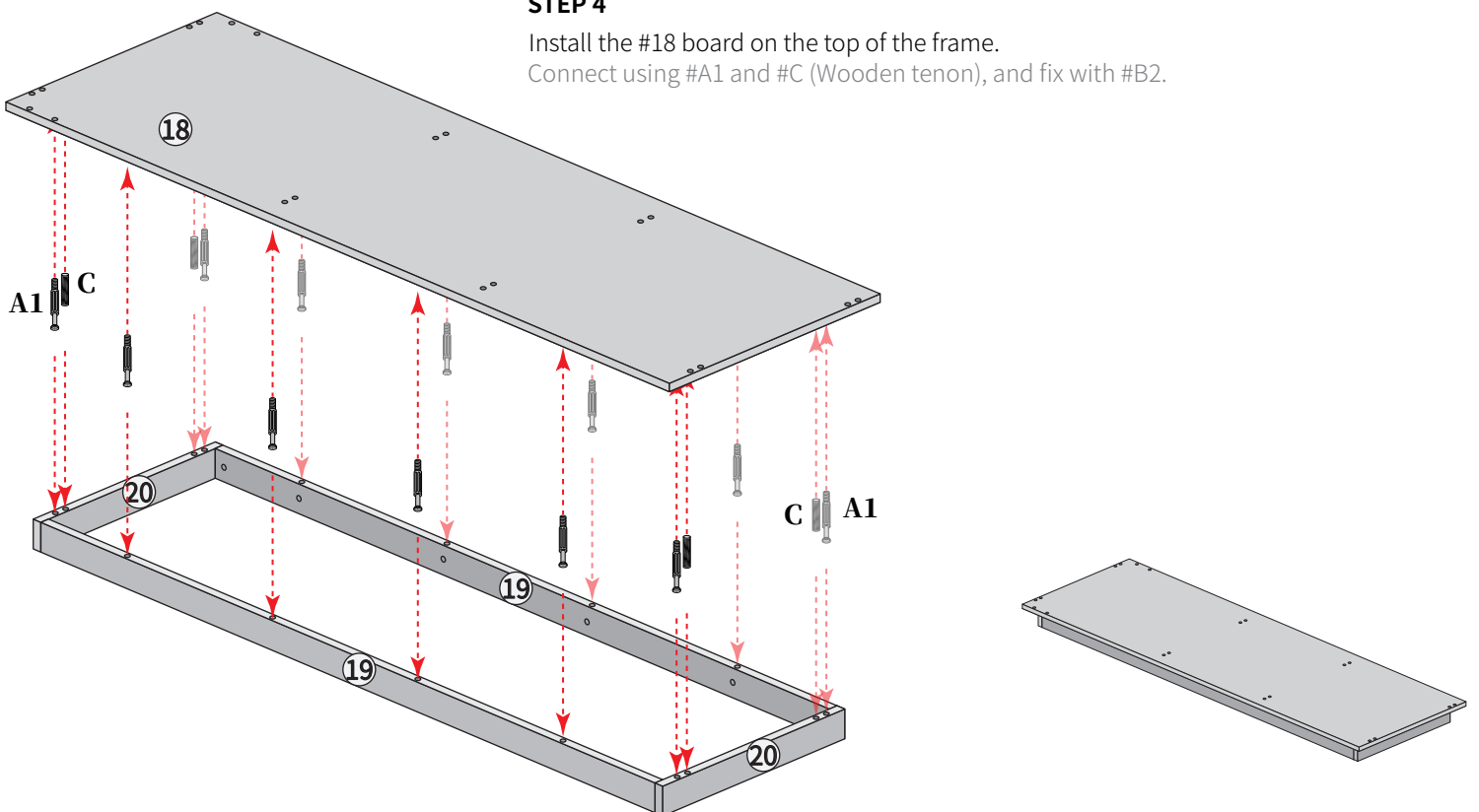
Connect another piece of #20 board to the other end of #19 board. Use #A1 for connection and #A2 for fixation

**STEP 3**

On the side of this frame that has no holes, which is the bottom that contacts the ground. #B(anti-slip nails) are installed.

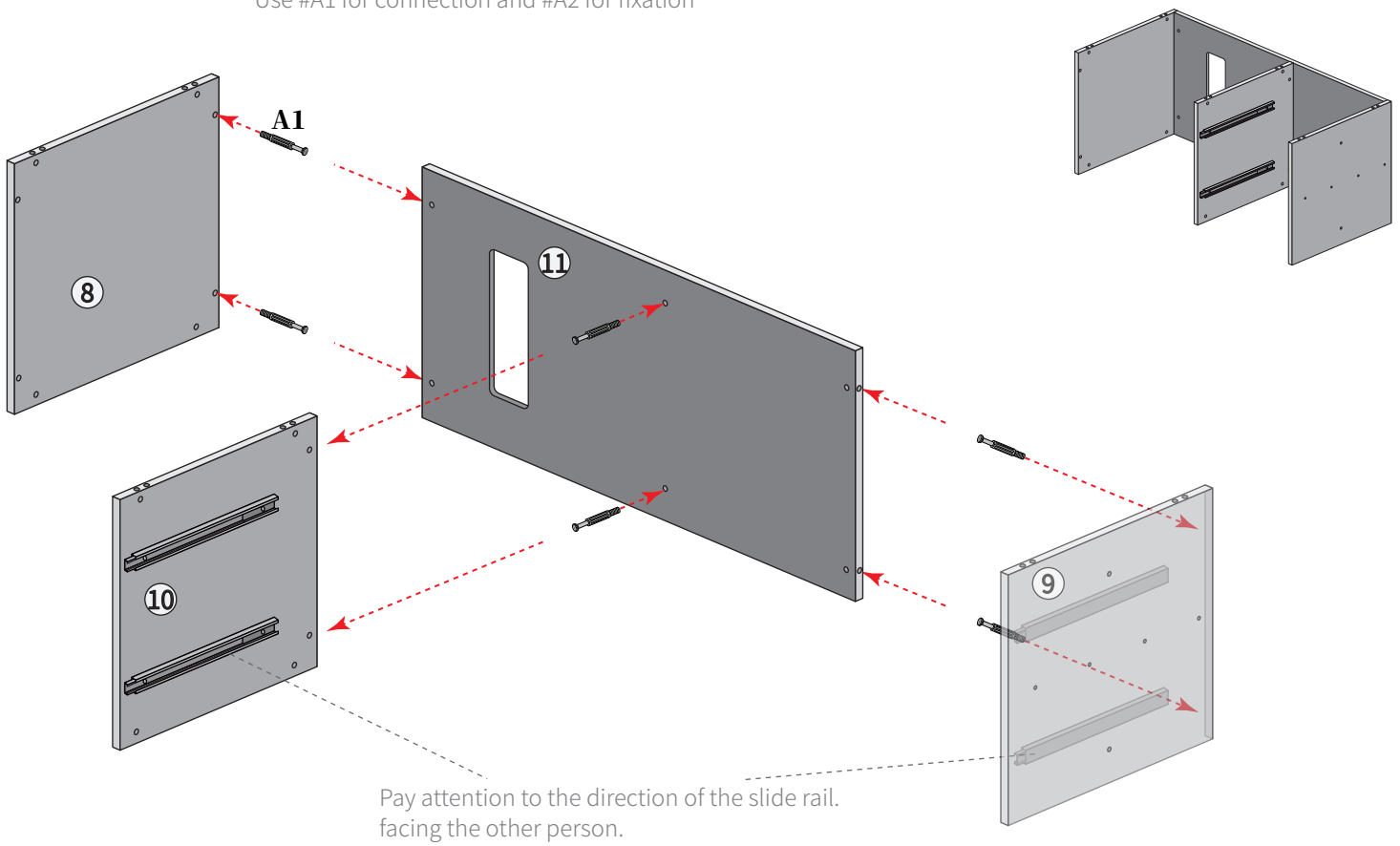
**STEP 4**

Install the #18 board on the top of the frame. Connect using #A1 and #C (Wooden tenon), and fix with #B2.



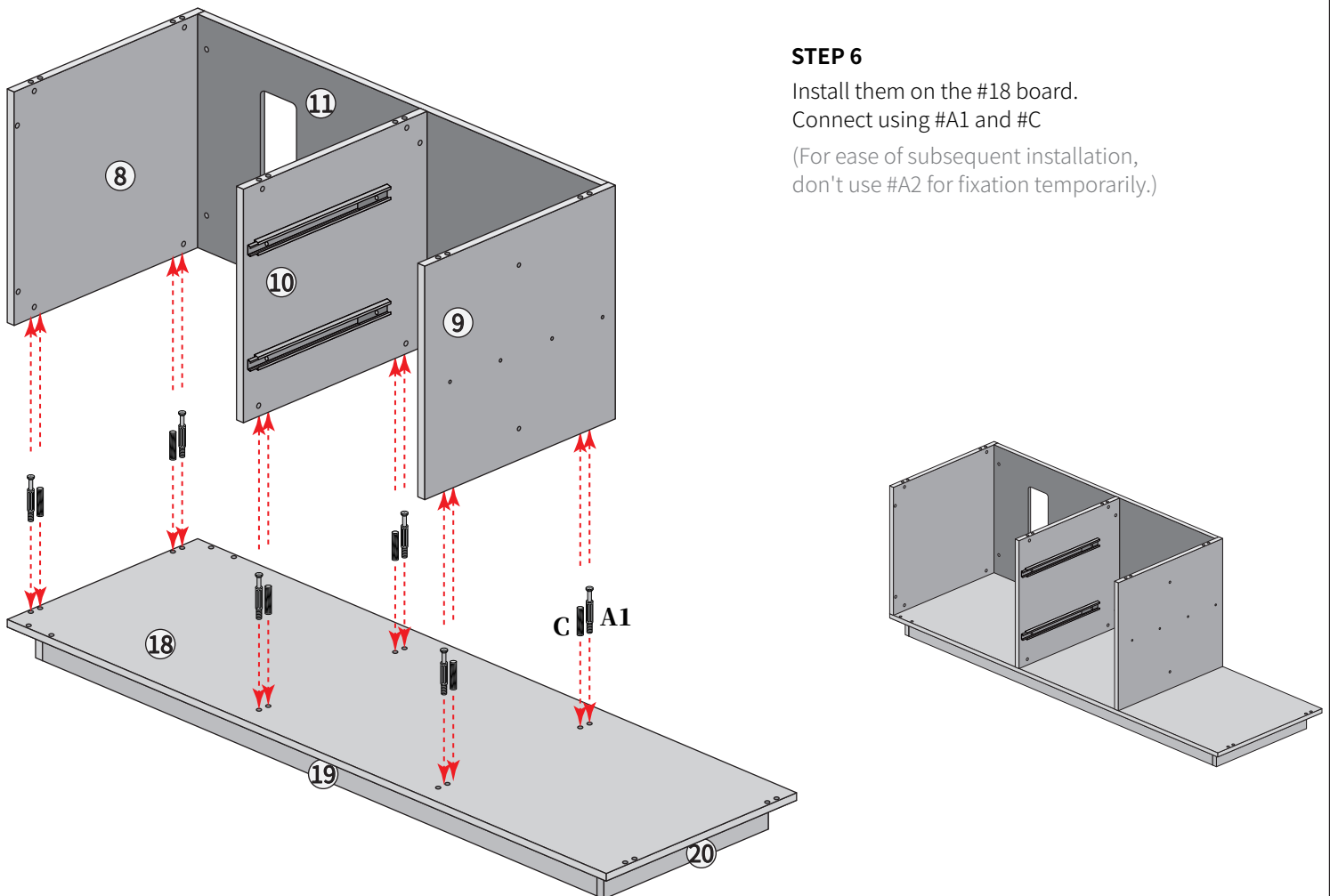
STEP 5

Assemble #8, #9, #10 and #11 together
Use #A1 for connection and #A2 for fixation



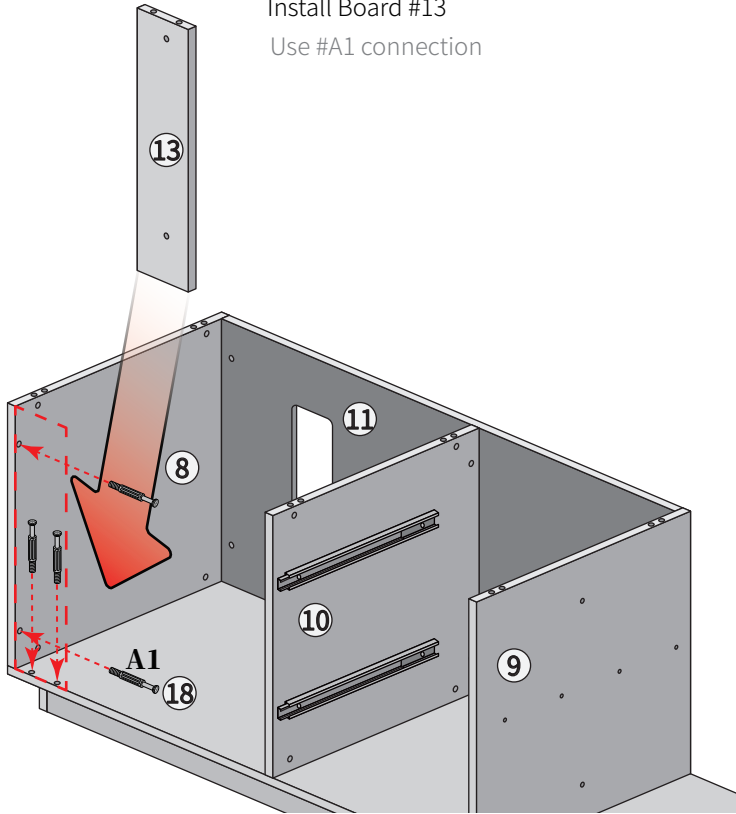
STEP 6

Install them on the #18 board.
Connect using #A1 and #C
(For ease of subsequent installation,
don't use #A2 for fixation temporarily.)



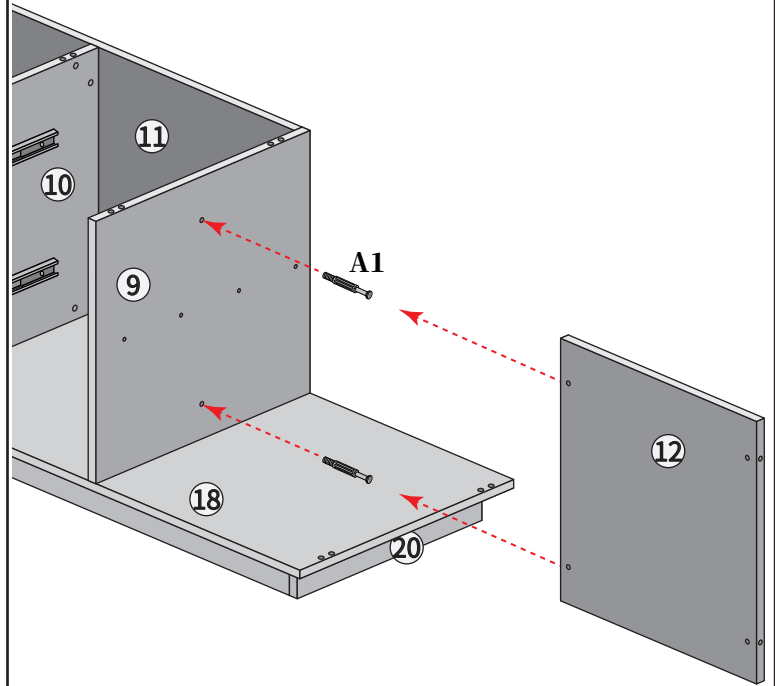
STEP 7

Install Board #13
Use #A1 connection



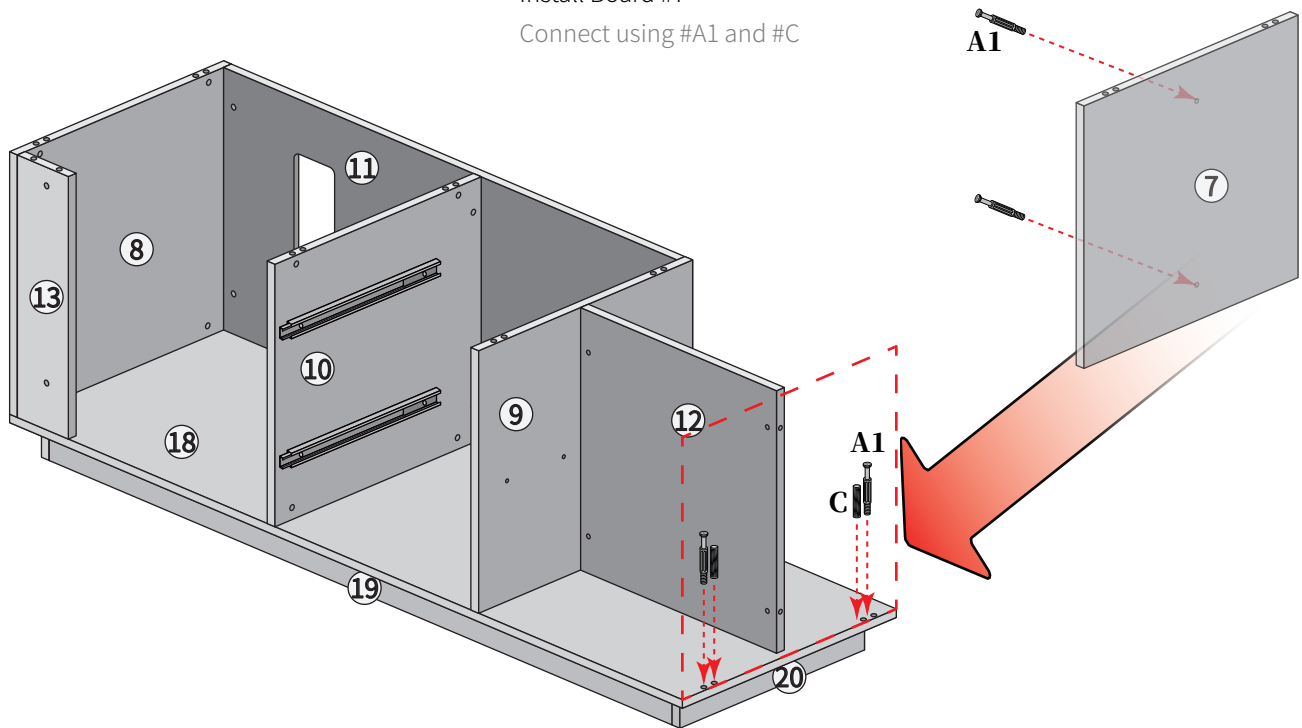
STEP 8

Install Board #12.
Use #A1 connection

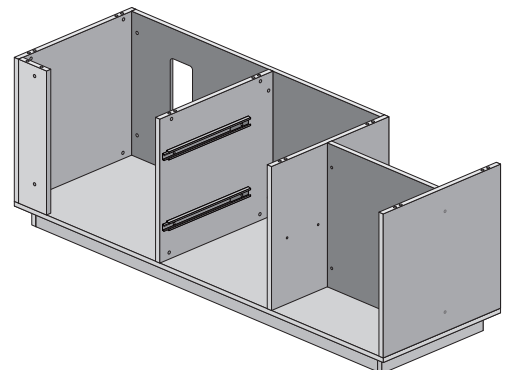


STEP 9

Install Board #7
Connect using #A1 and #C



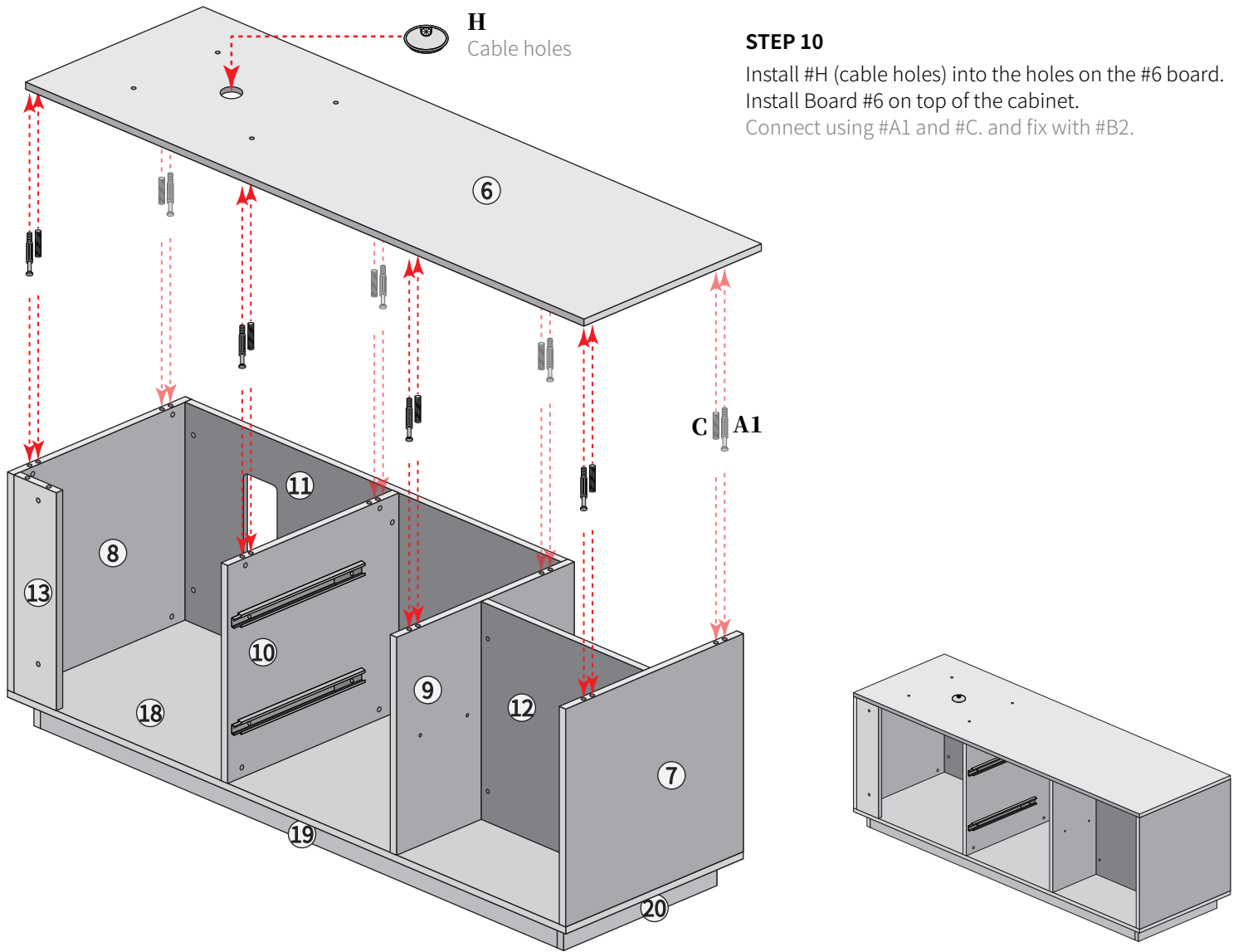
Then, all the screw holes should be tightened with #A2.



H
Cable holes

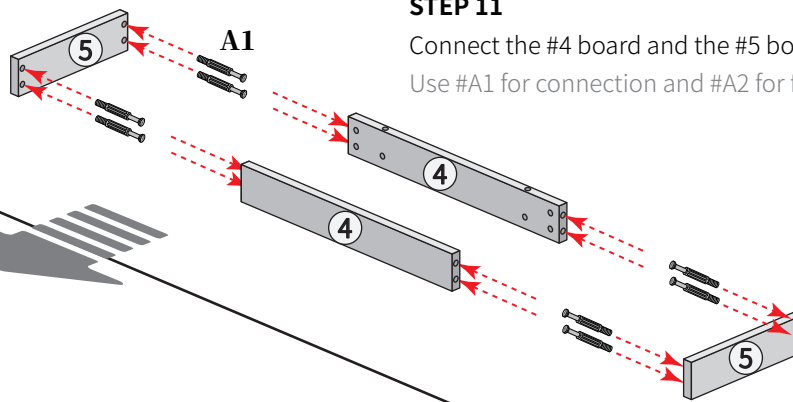
STEP 10

Install #H (cable holes) into the holes on the #6 board.
Install Board #6 on top of the cabinet.
Connect using #A1 and #C. and fix with #B2.



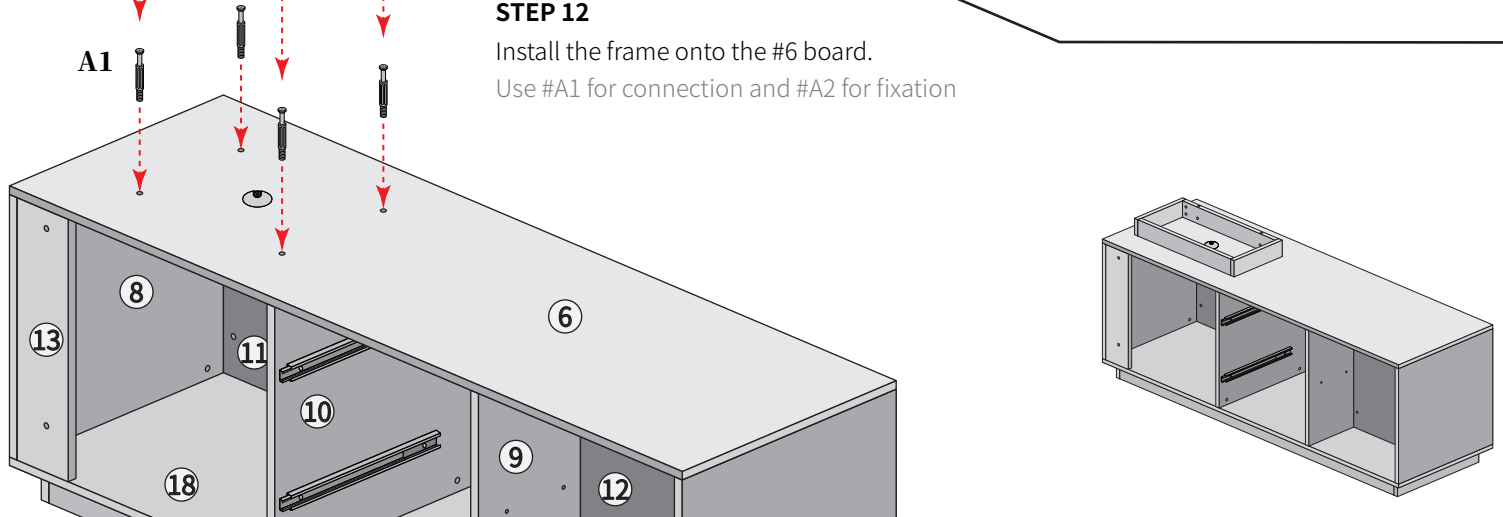
STEP 11

Connect the #4 board and the #5 board to form a frame.
Use #A1 for connection and #A2 for fixation



STEP 12

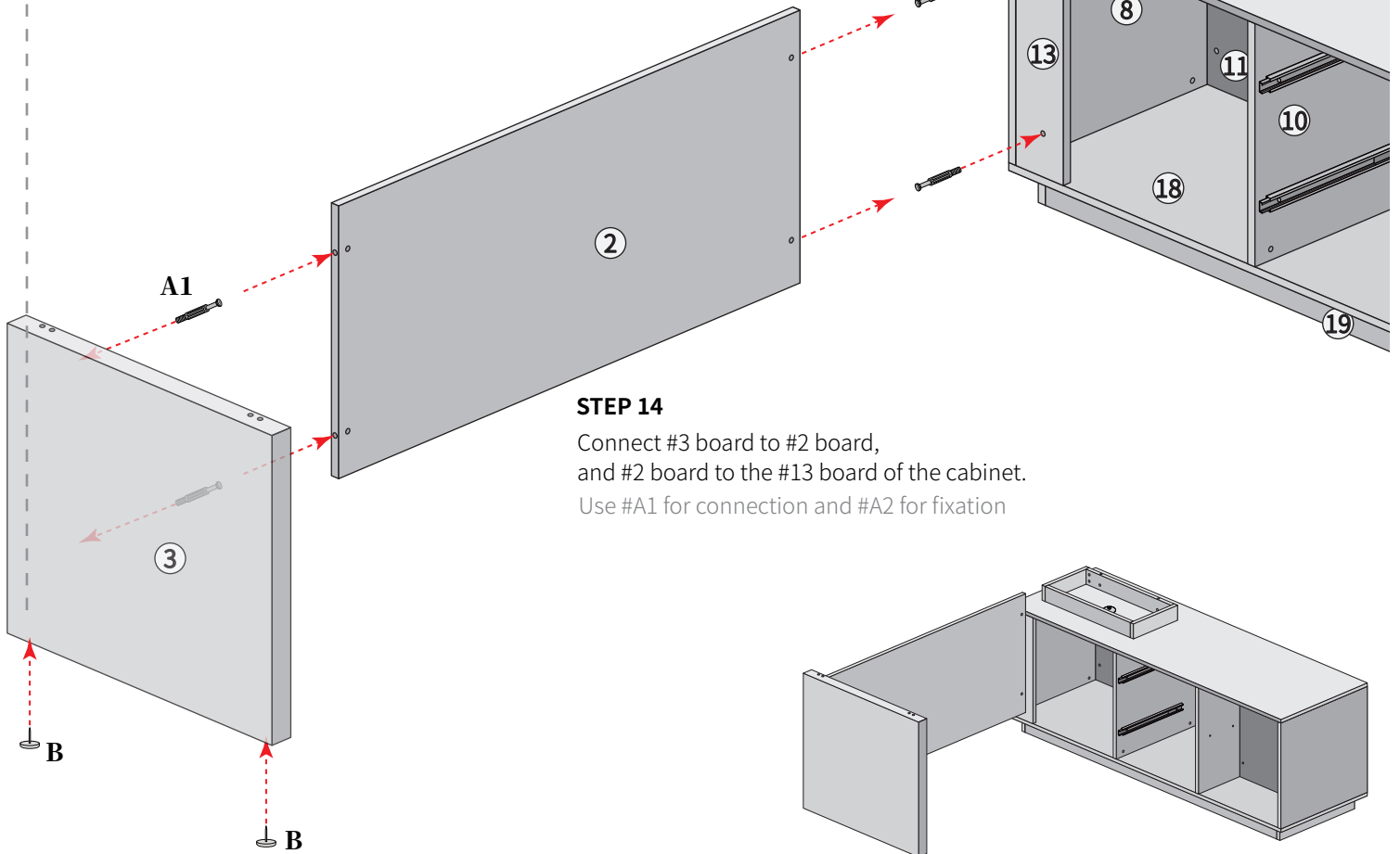
Install the frame onto the #6 board.
Use #A1 for connection and #A2 for fixation



STEP 13

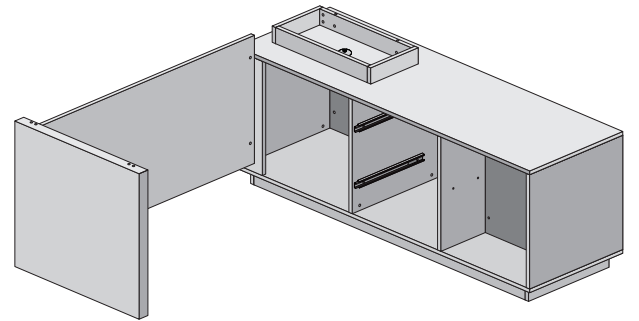
Install anti-slip nails at the bottom of the #3 board

(The un-pierced end is in contact with the ground at the bottom, while the pierced end points upwards)



STEP 14

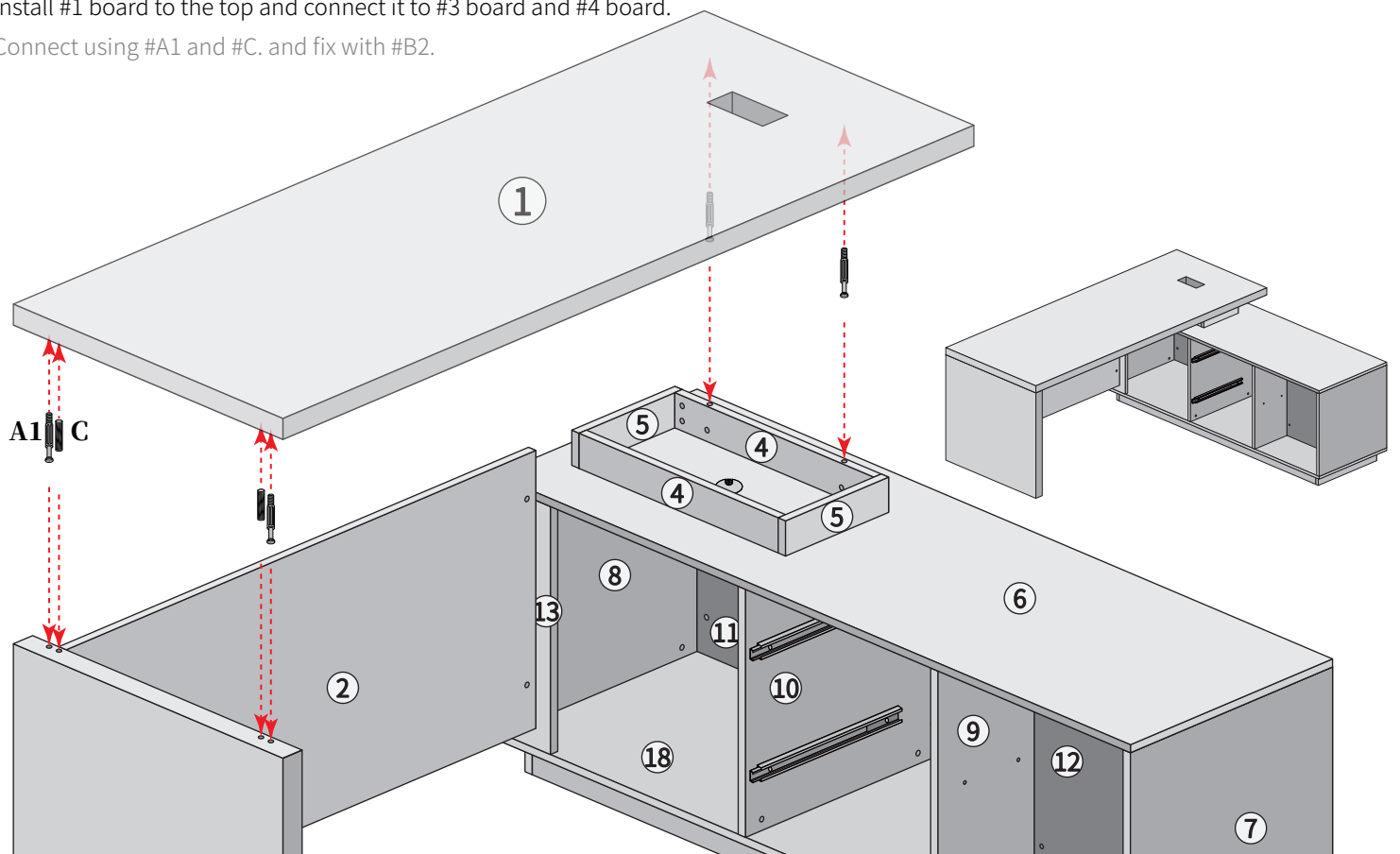
Connect #3 board to #2 board, and #2 board to the #13 board of the cabinet. Use #A1 for connection and #A2 for fixation

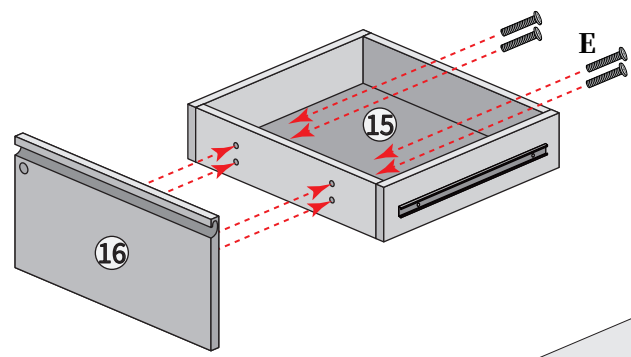


STEP 15

Install #1 board to the top and connect it to #3 board and #4 board.

Connect using #A1 and #C, and fix with #B2.



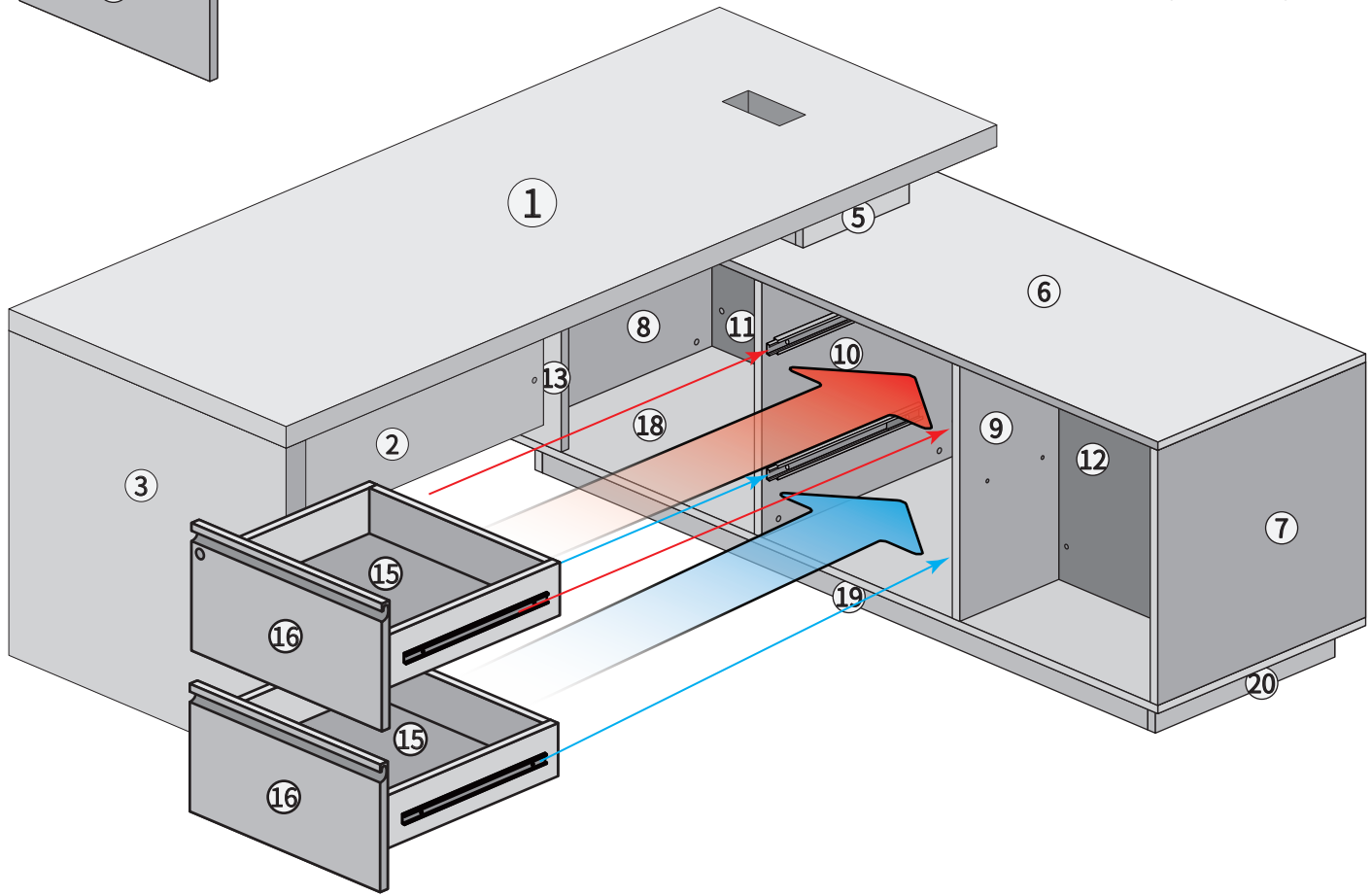


STEP 16

Install the #16 board onto the drawer and secure it with #E(Screw).

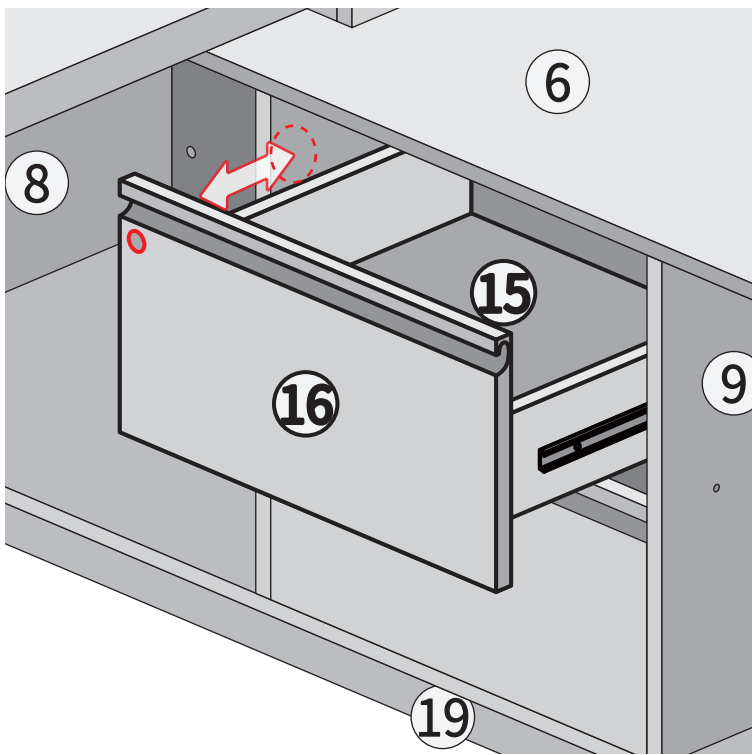
STEP 17

Place the drawer into the cabinet along the sliding track.

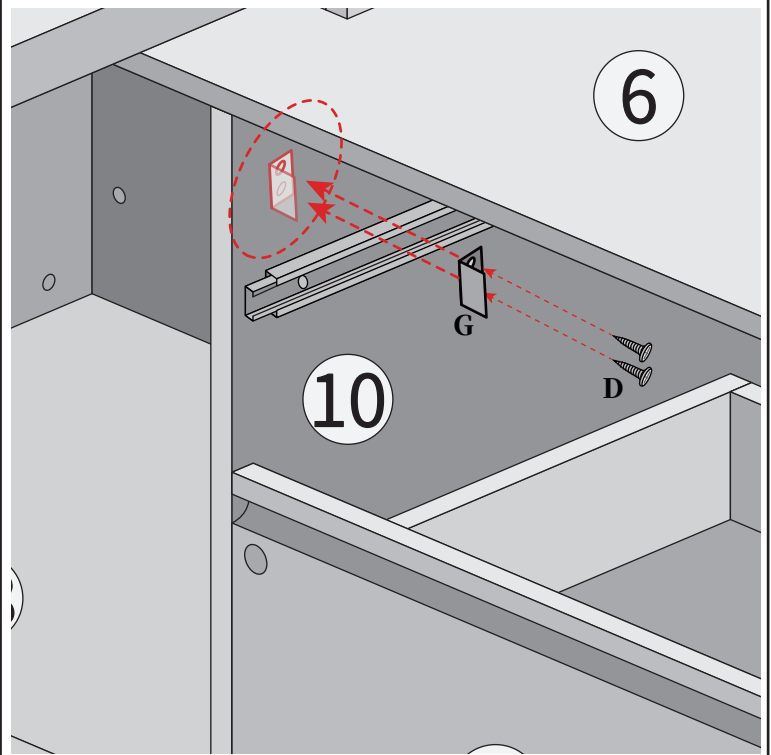


STEP 18

Pull the drawer out a little and mark the inner wall corresponding to the drawer lock.

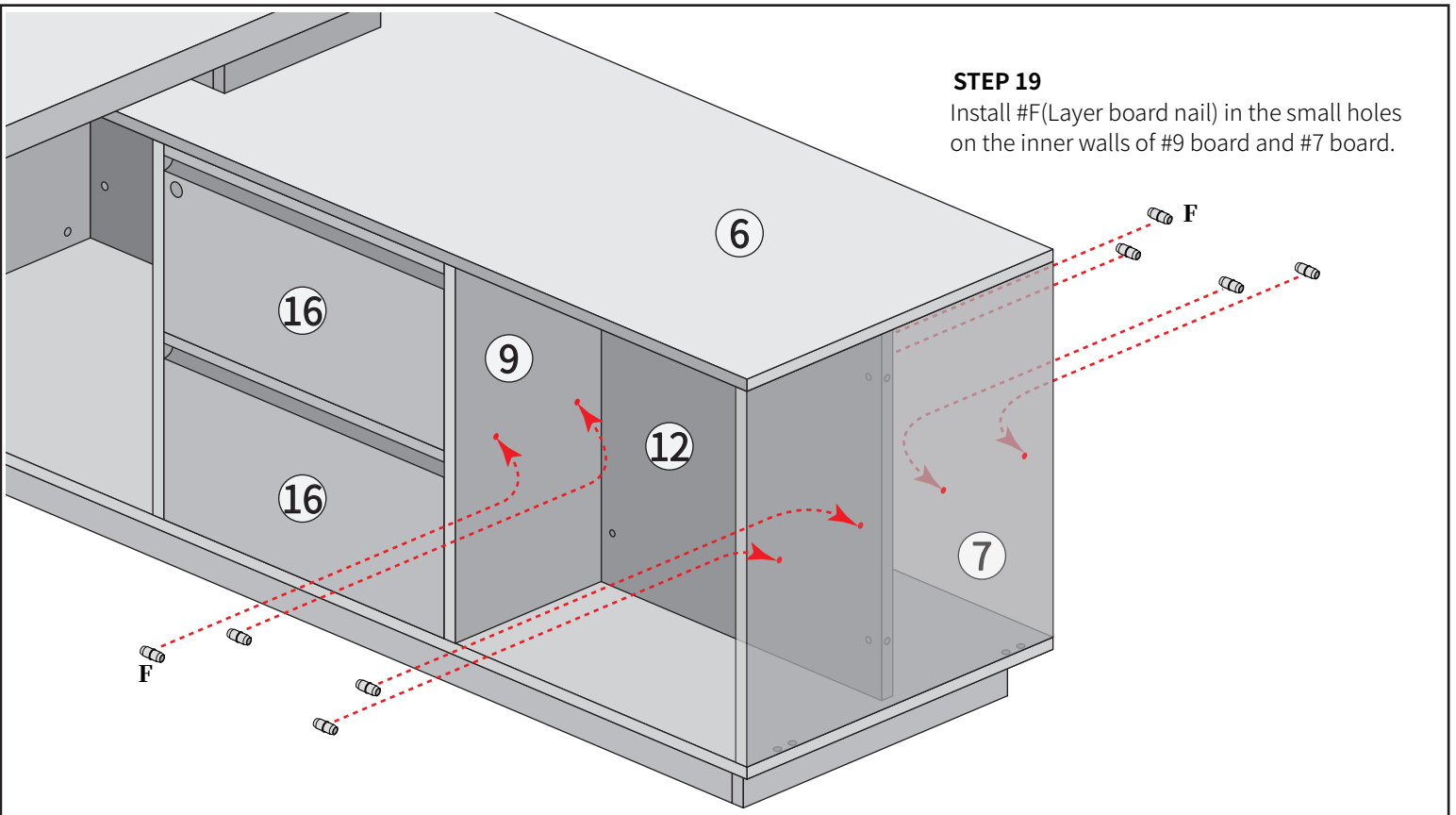


Install the #G(Lock piece) at the marked position using #D (self-tapping screws)



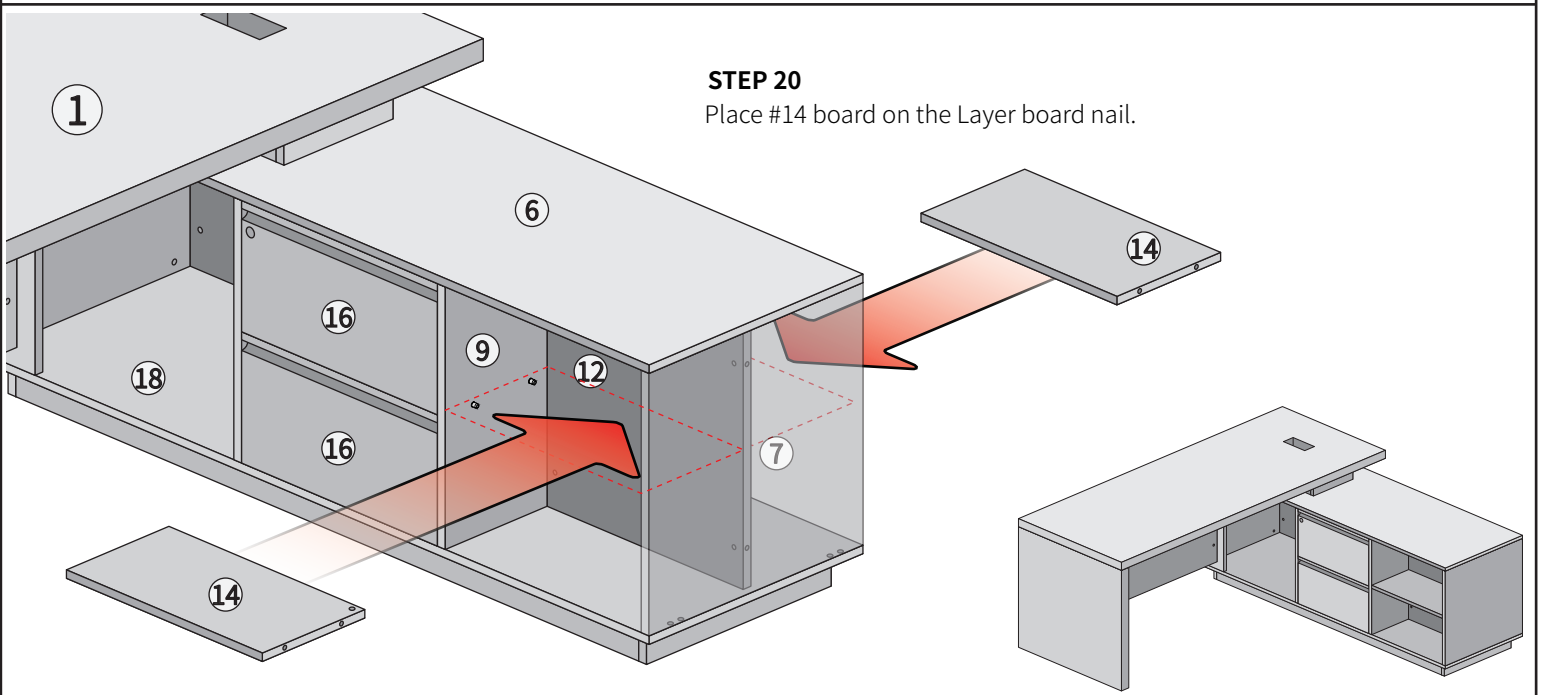
STEP 19

Install #F (Layer board nail) in the small holes on the inner walls of #9 board and #7 board.



STEP 20

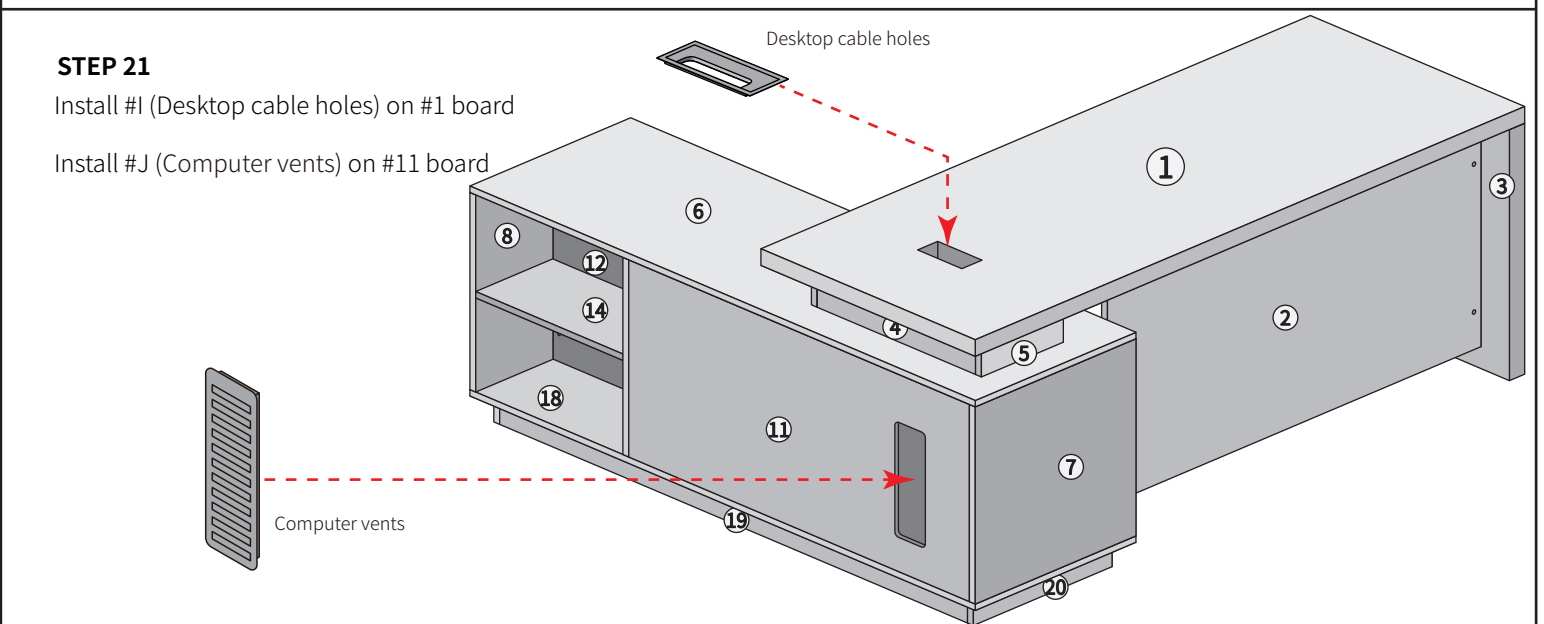
Place #14 board on the Layer board nail.



STEP 21

Install #I (Desktop cable holes) on #1 board

Install #J (Computer vents) on #11 board



INSTALLATION COMPLETED

