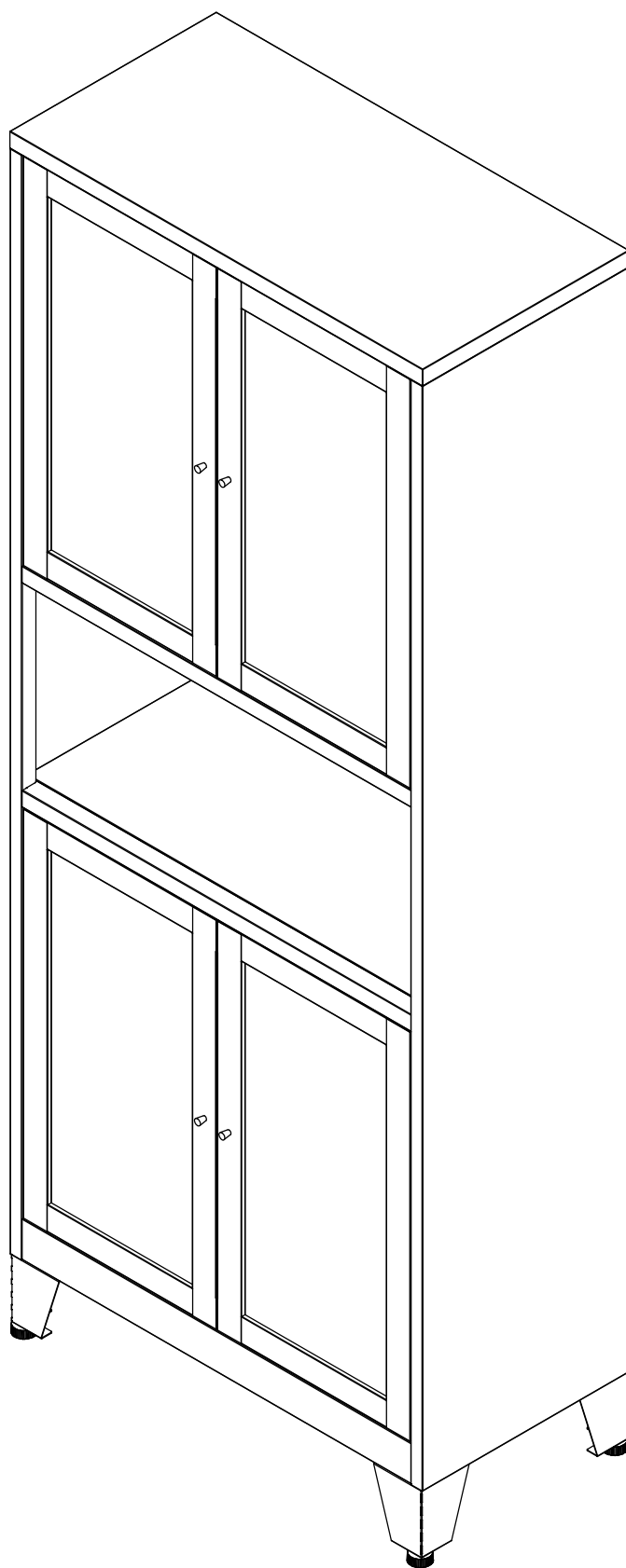


Installation Instructions



WARNING!

Important information, please read carefully and retain this information for future reference.
Only adults are allowed to assemble, keep children away.

If furniture is tipped over, it may cause serious injury or even death. To prevent tip-over of this furniture, be sure to use it with the wall attachment devices provided. Use the appropriate screws and plugs for your wall.

If the supplied wall attachment devices do not match the walls in your home, consult your local professional to use screws and plugs that fit your walls. Please read and follow each step in the instructions carefully.

Please pay attention to the iron corner protectors and cabinet parts inside the package. If the iron corner guard is damaged, you can just discard it; If you find any broken or damaged cabinet parts, please contact customer service immediately for replacement. Sharp edges of metal parts can cause serious injury.

Please pay attention to the glass parts of the cabinet (if included). If you find any broken or damaged parts, contact customer service immediately for replacement. Sharp edges of the glass may cause serious injury.

ABOUT US

Your new Metal Storage Cabinet has arrived and it will make your life so much easier. That's why we put so much effort into designing it to perfectly fit your needs.

But first things first, we need to install it!

When we say 'we', we mean we're going to guide you, step by step.

We created this instructions manual so that you won't feel overwhelmed and we also know that sometimes things just don't seem to fit, so don't hesitate to contact with our Amazon Customer Associate if you have questions or need help!

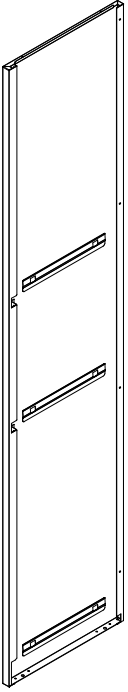
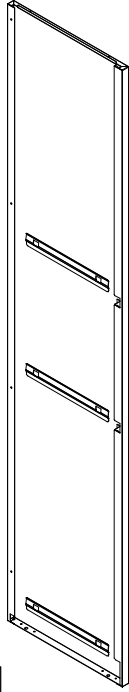
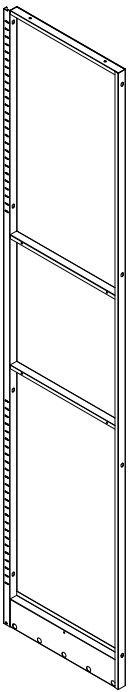
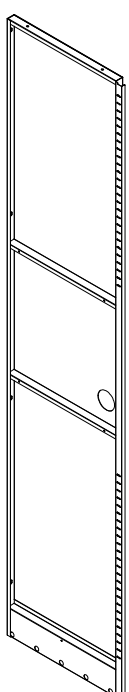
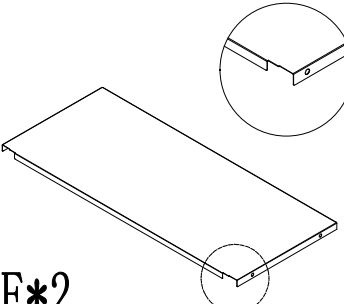
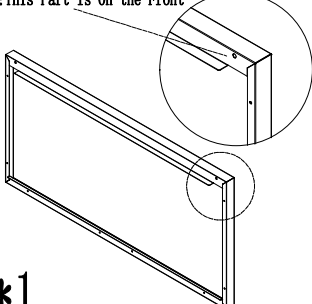
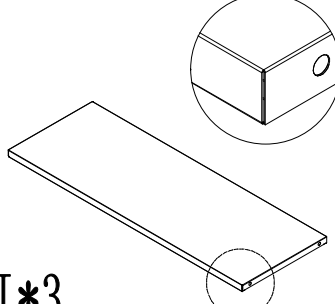
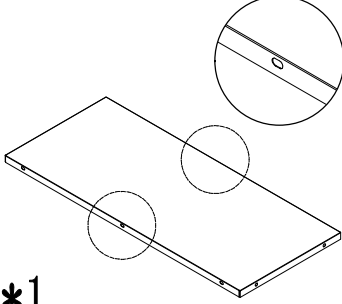
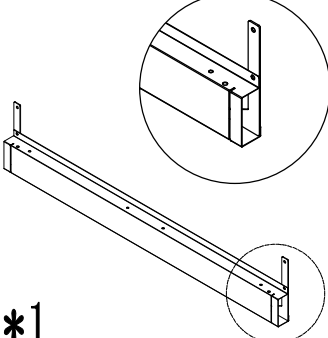
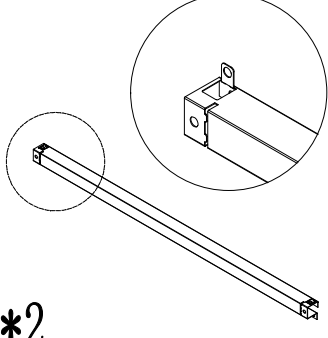
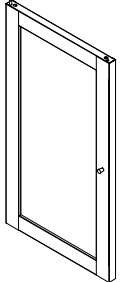
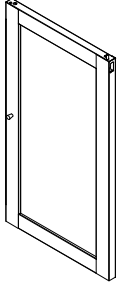
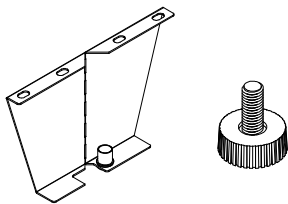
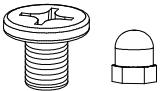

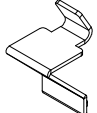

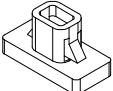

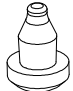

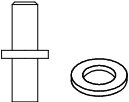
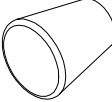

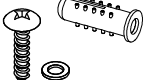
Missing A PART? DON'T WORRY, WE GOT YOUR BACK!

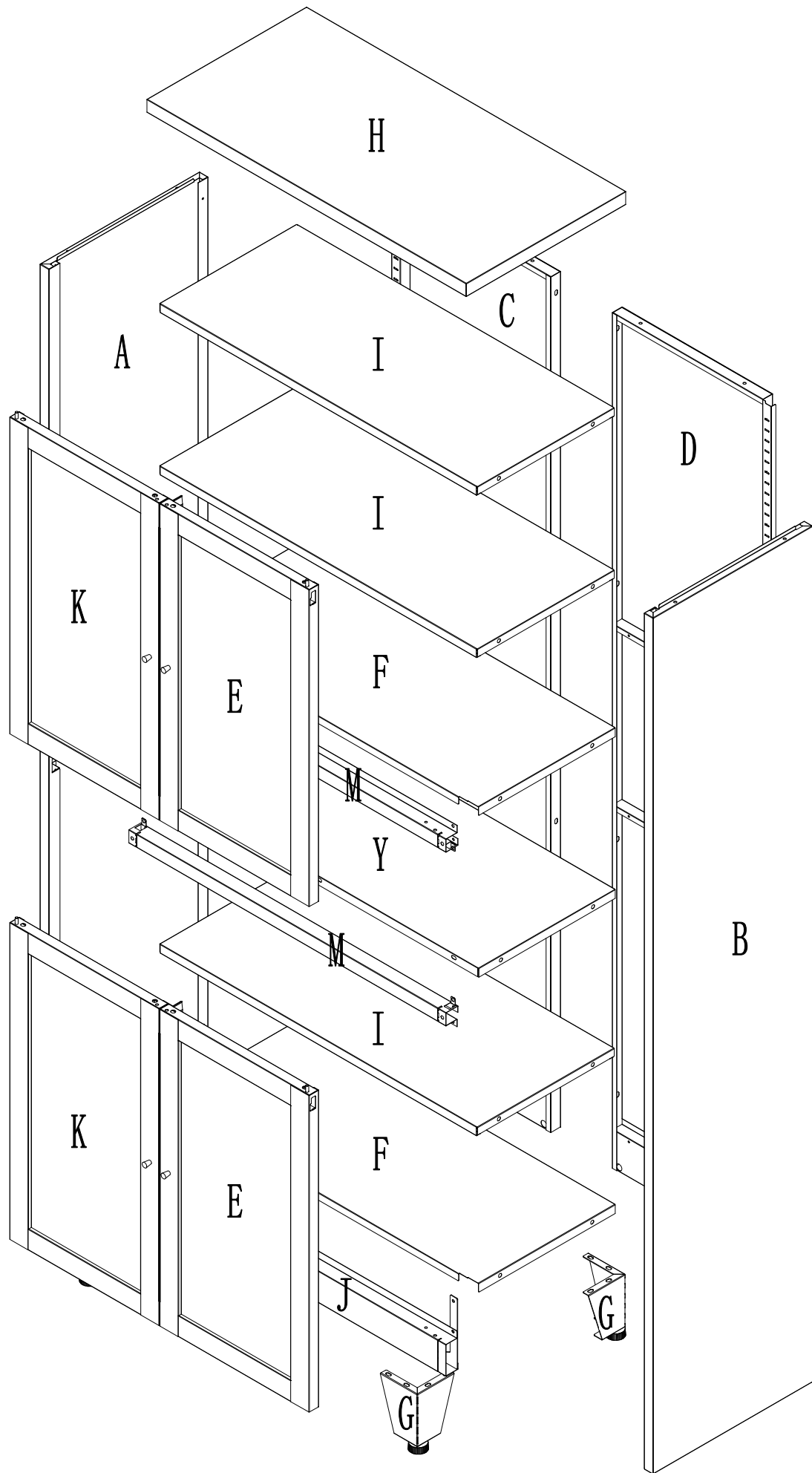
Compare the sketch on the next page with your package. Are all the pieces there?

However, sometimes error happen, so if anything is missing or damage, just send us an email and we will make sure to fix it!

If you find scratches on the sides of the product after you open the package.

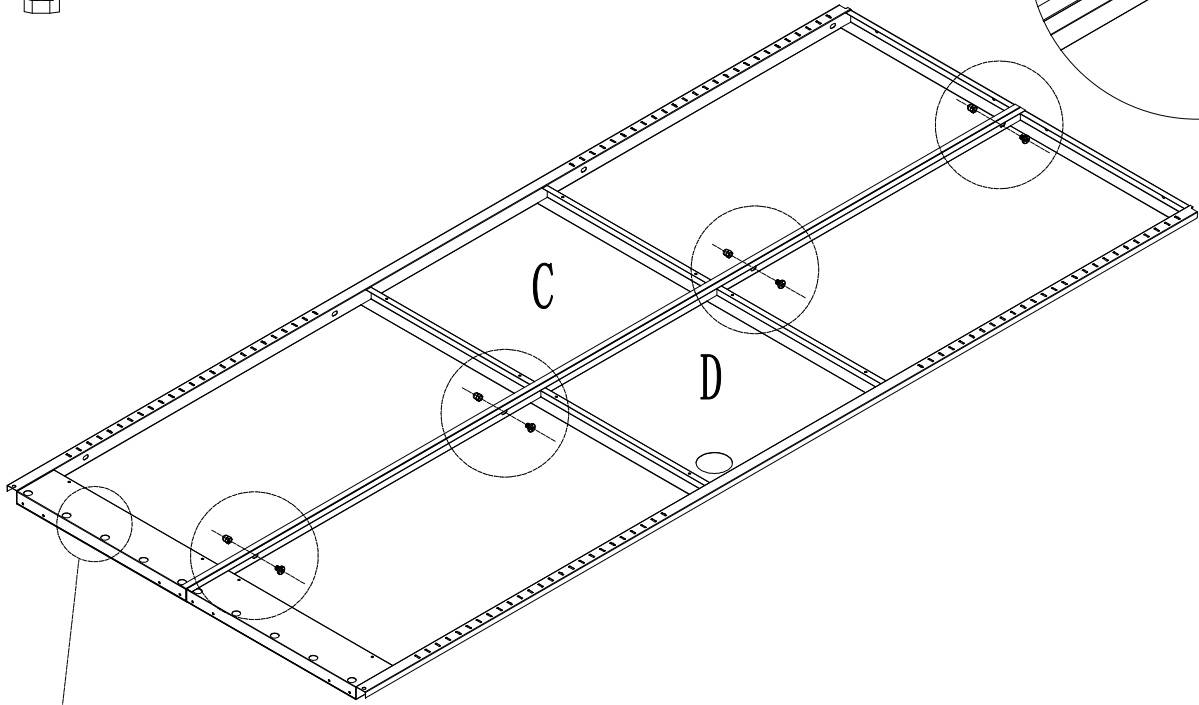
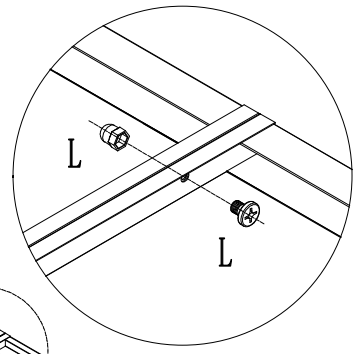
DON'T WORRY, this is the protection of express packages.

 <p>A*1</p>	 <p>B*1</p>	 <p>C*1</p>	 <p>D*1</p>		
 <p>F*2</p>	<p>Notice: This Part Is On the Front</p>  <p>H*1</p>	 <p>I*3</p>	 <p>Y*1</p>		
 <p>J*1</p>	 <p>M*2</p>	 <p>K*2</p>	 <p>E*2</p>		
 <p>G*4</p>	 <p>L*4</p>	 <p>N*49</p>	 <p>O*12</p>	 <p>R*8</p>	 <p>Q*4</p>
 <p>V*2</p>	 <p>Z*4</p>	 <p>P*2</p>	 <p>S*4</p>	 <p>T*4</p>	 <p>U*4</p>
	 <p>W*2</p>				



1

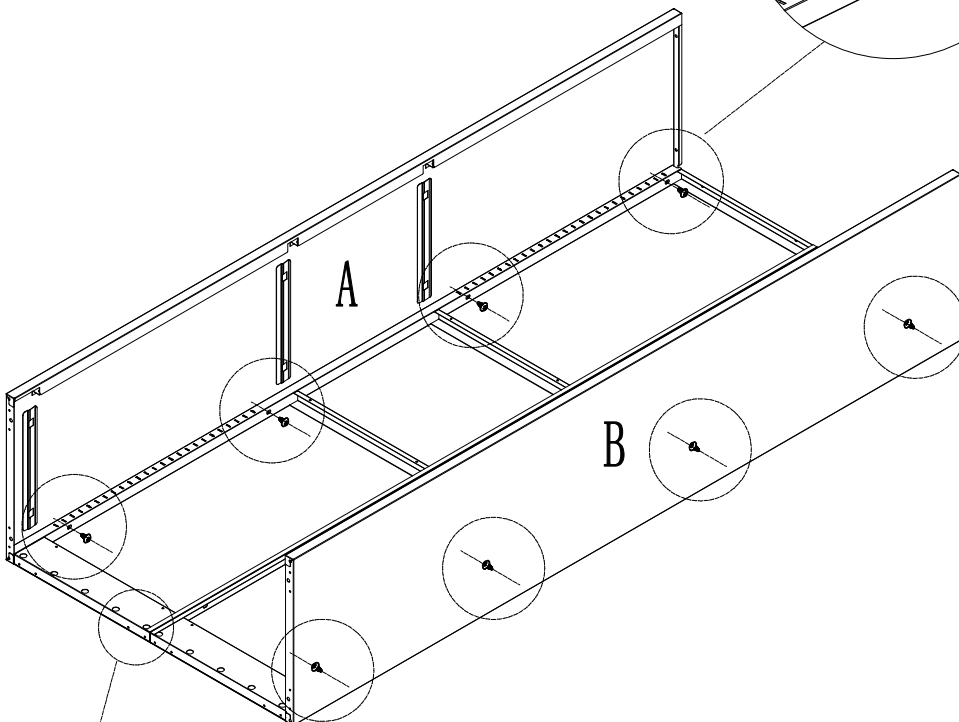
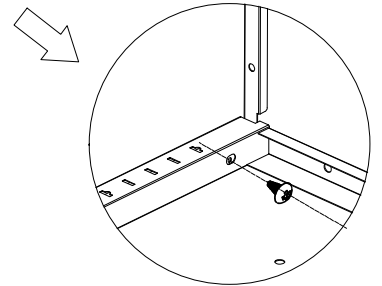
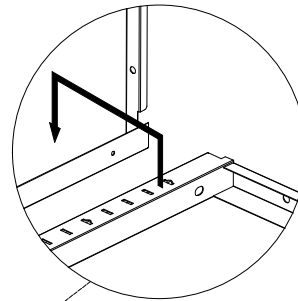
L*4



Attention hole position


2

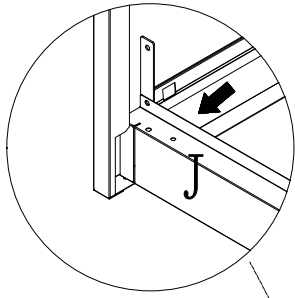
N*8



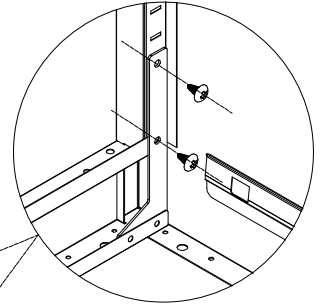
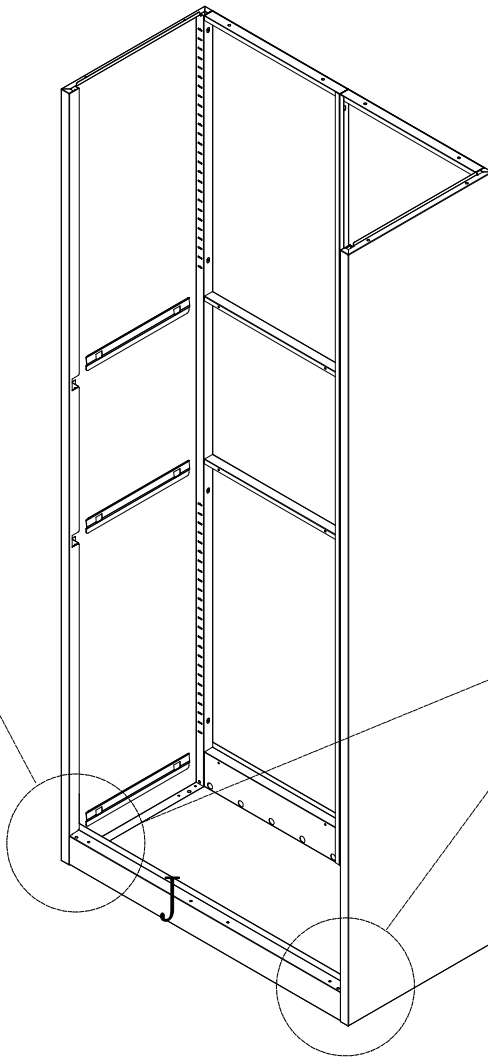
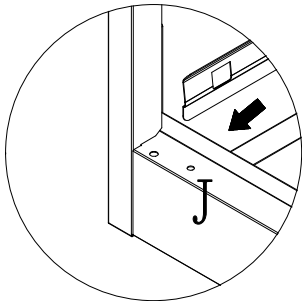
Attention hole position

3


N*4 

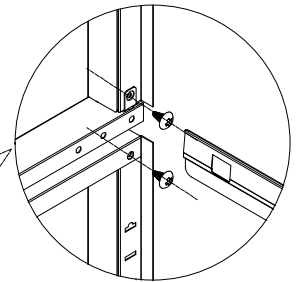
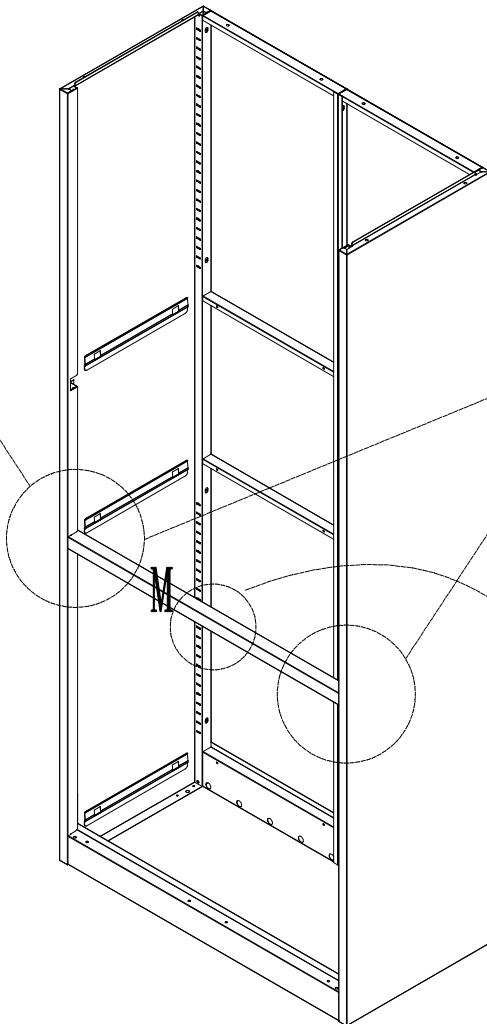
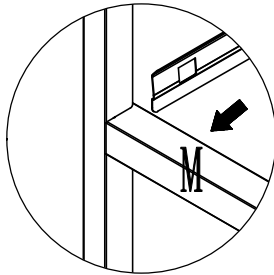
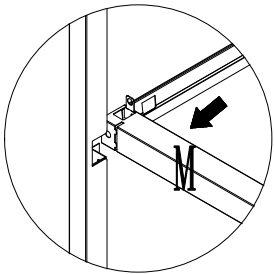
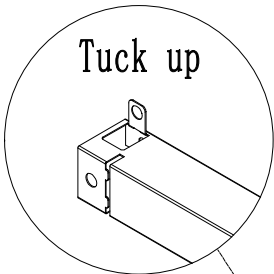


1




4

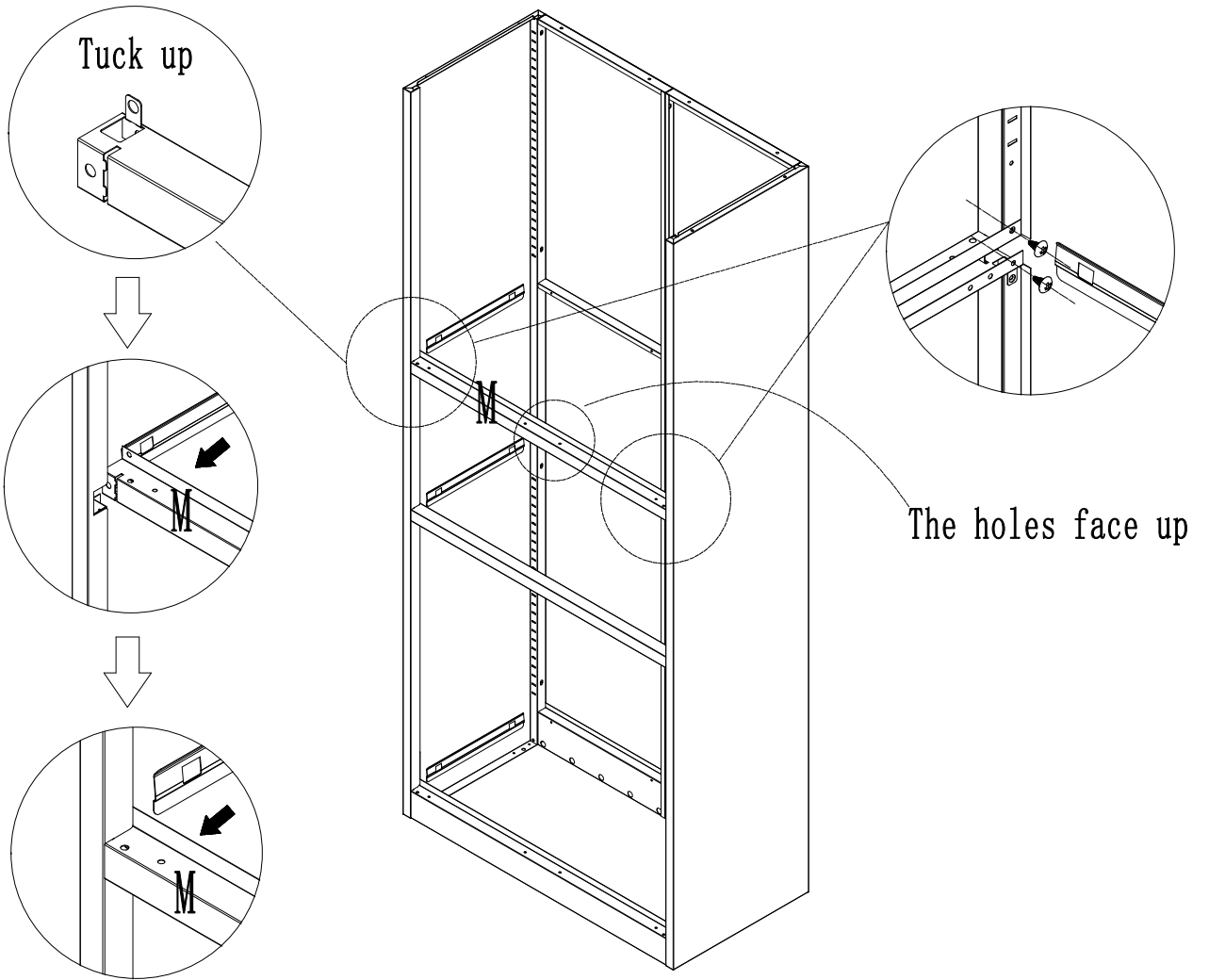
N*4 



The holes face down

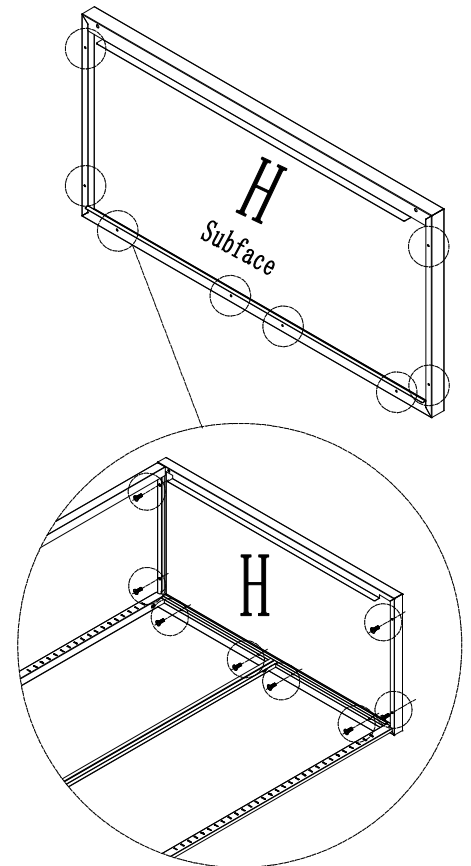
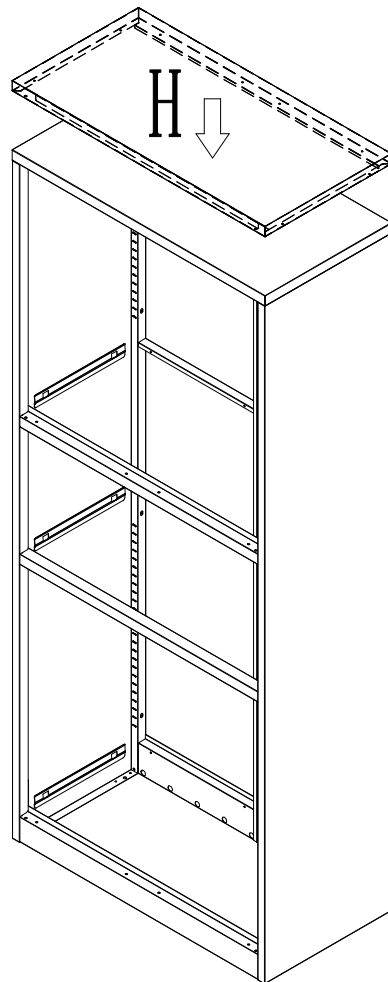
5

N*4 




6

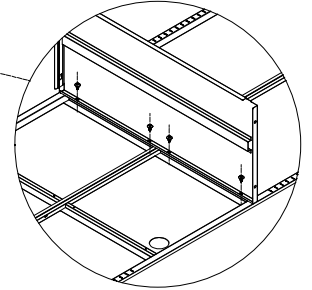
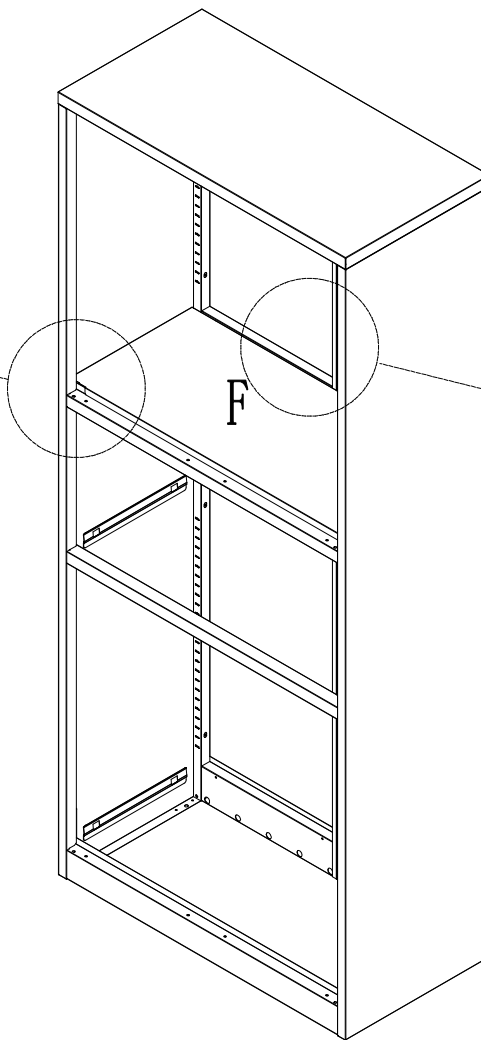
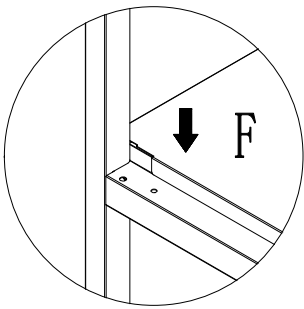
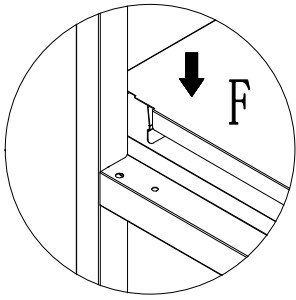
R*8 



Pay attention to the mounting direction of part H, screw R*8 is installed from the bottom

7

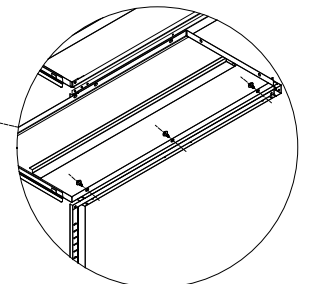
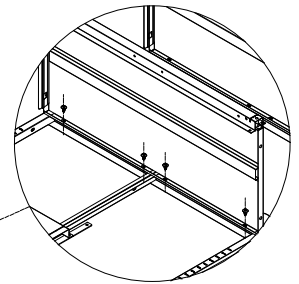
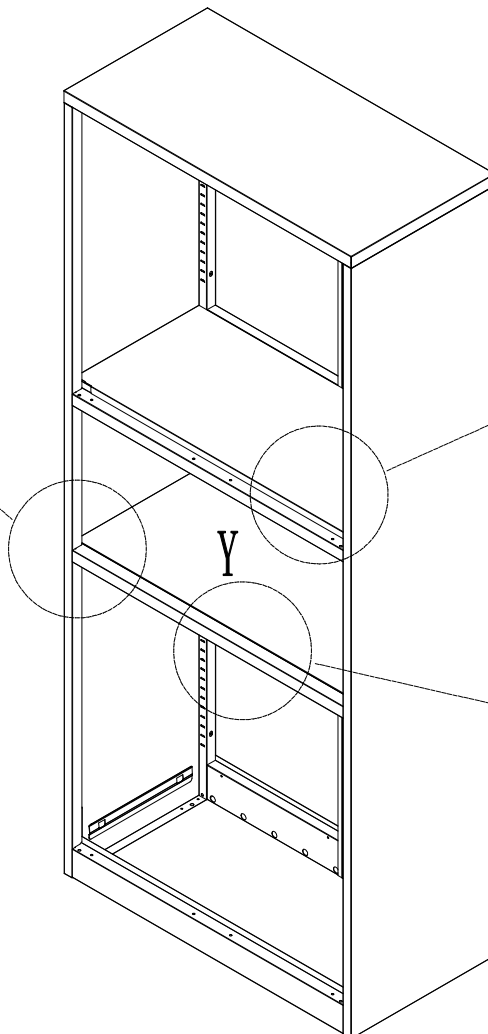
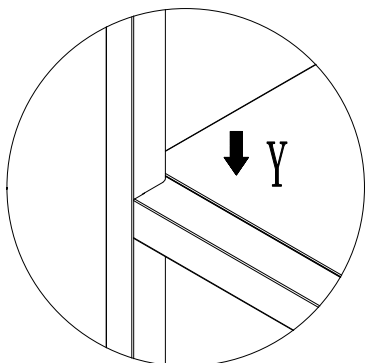
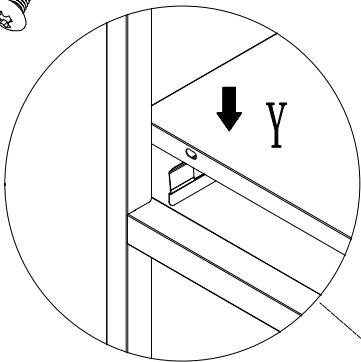
N*4 



Pay attention to the mounting direction of part F, screw N*4 is installed from the bottom


8

N*7 

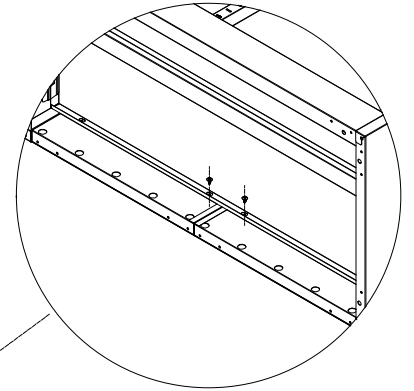
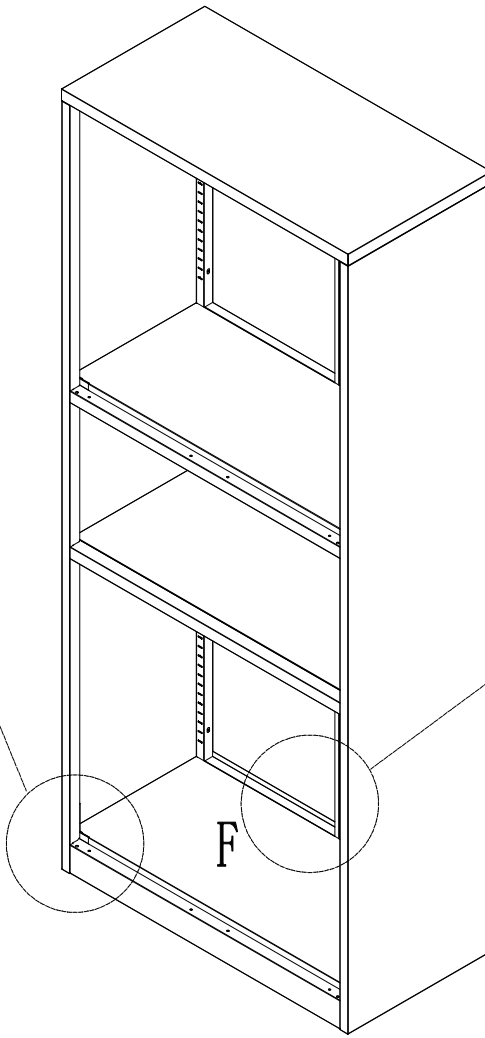
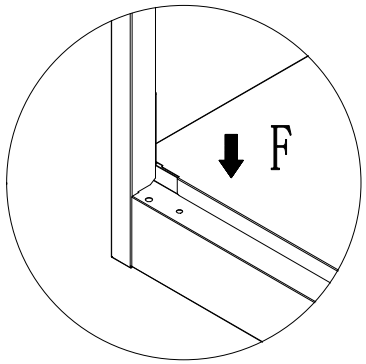
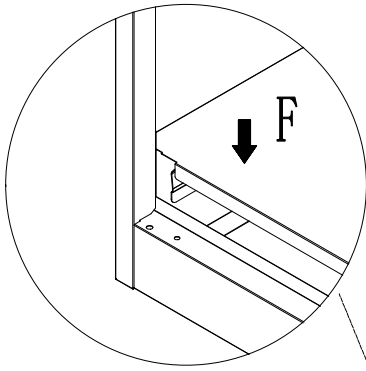


Pay attention to the mounting direction of part Y, screw N*7 is installed from the bottom


9

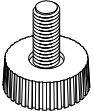
N*2 

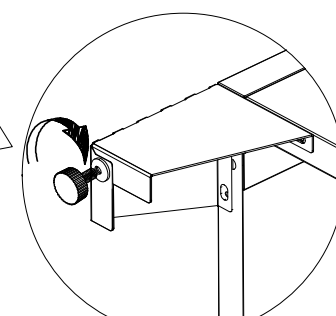
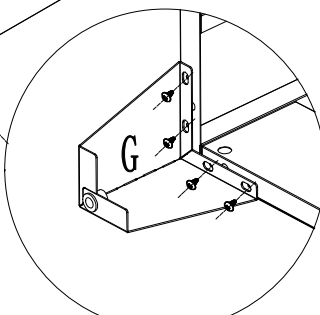
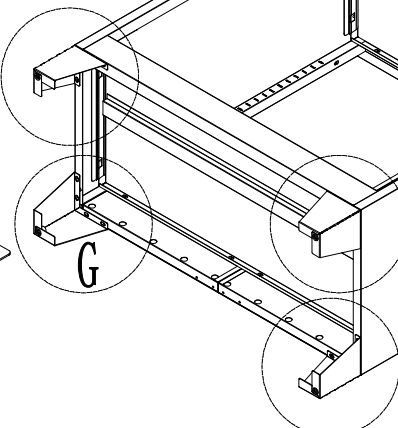
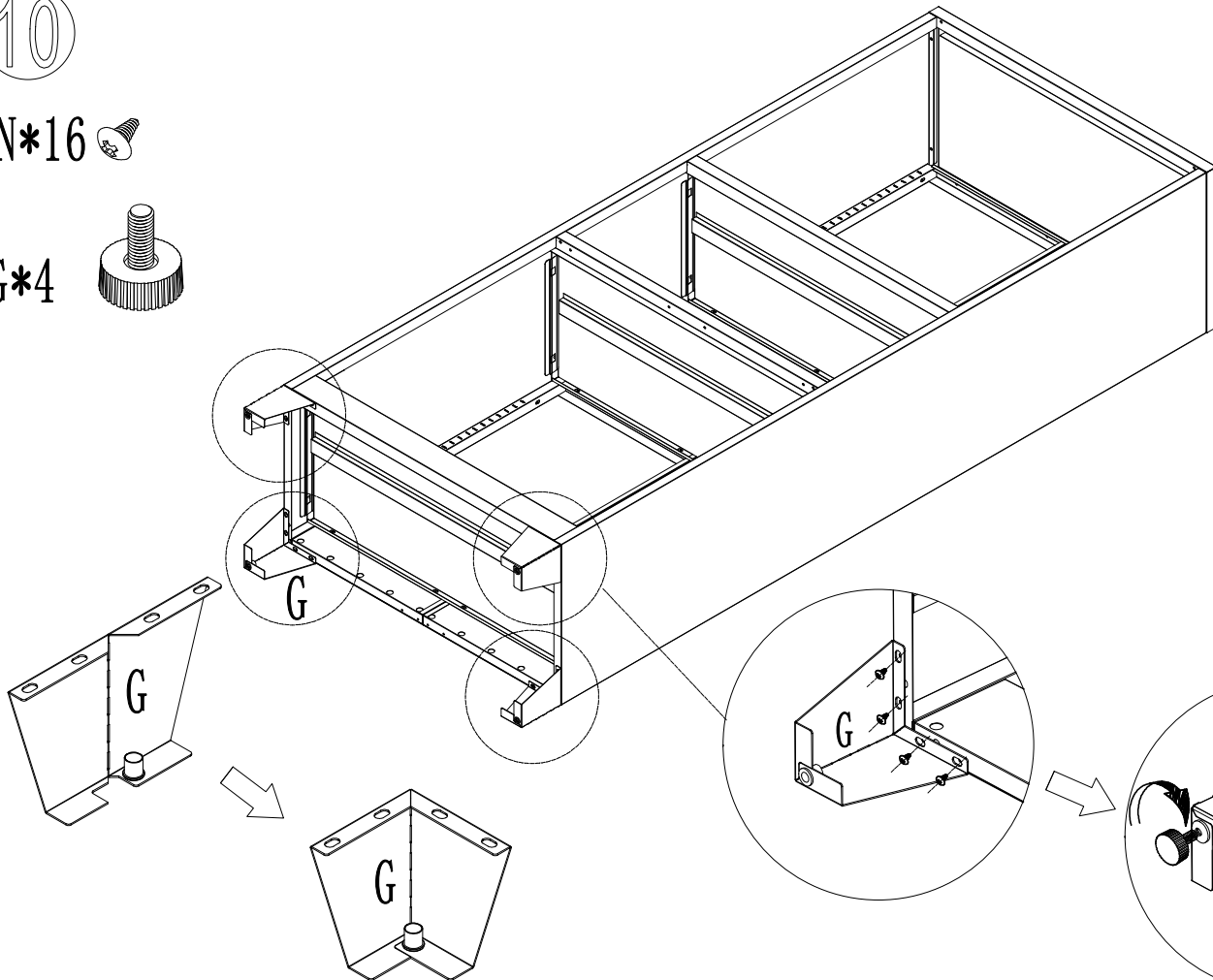
Pay attention to the mounting direction of part F, screw N*2 is installed from the bottom



10

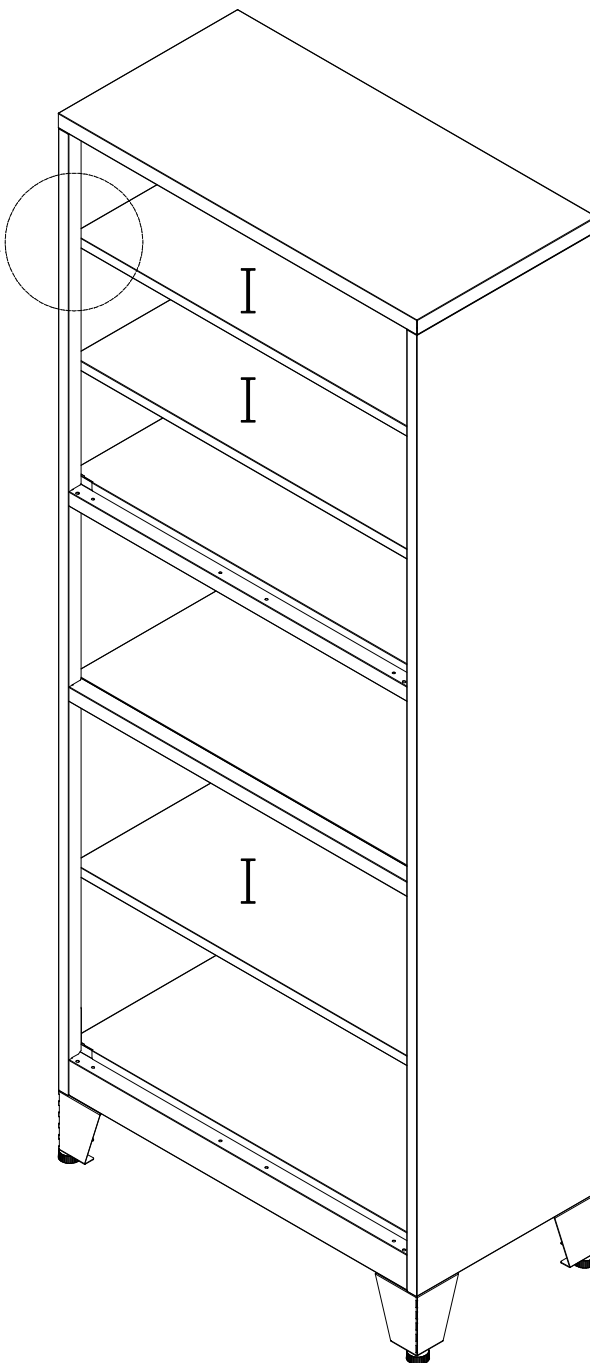
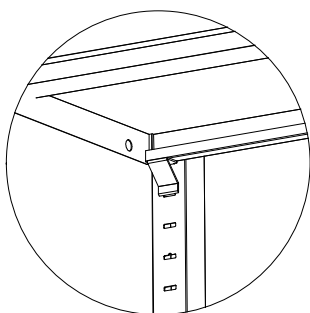
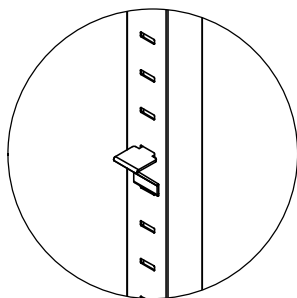
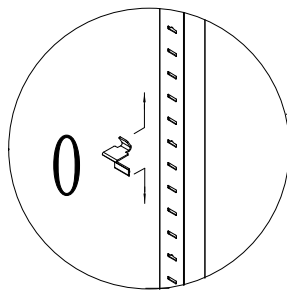
N*16 

G*4 



11

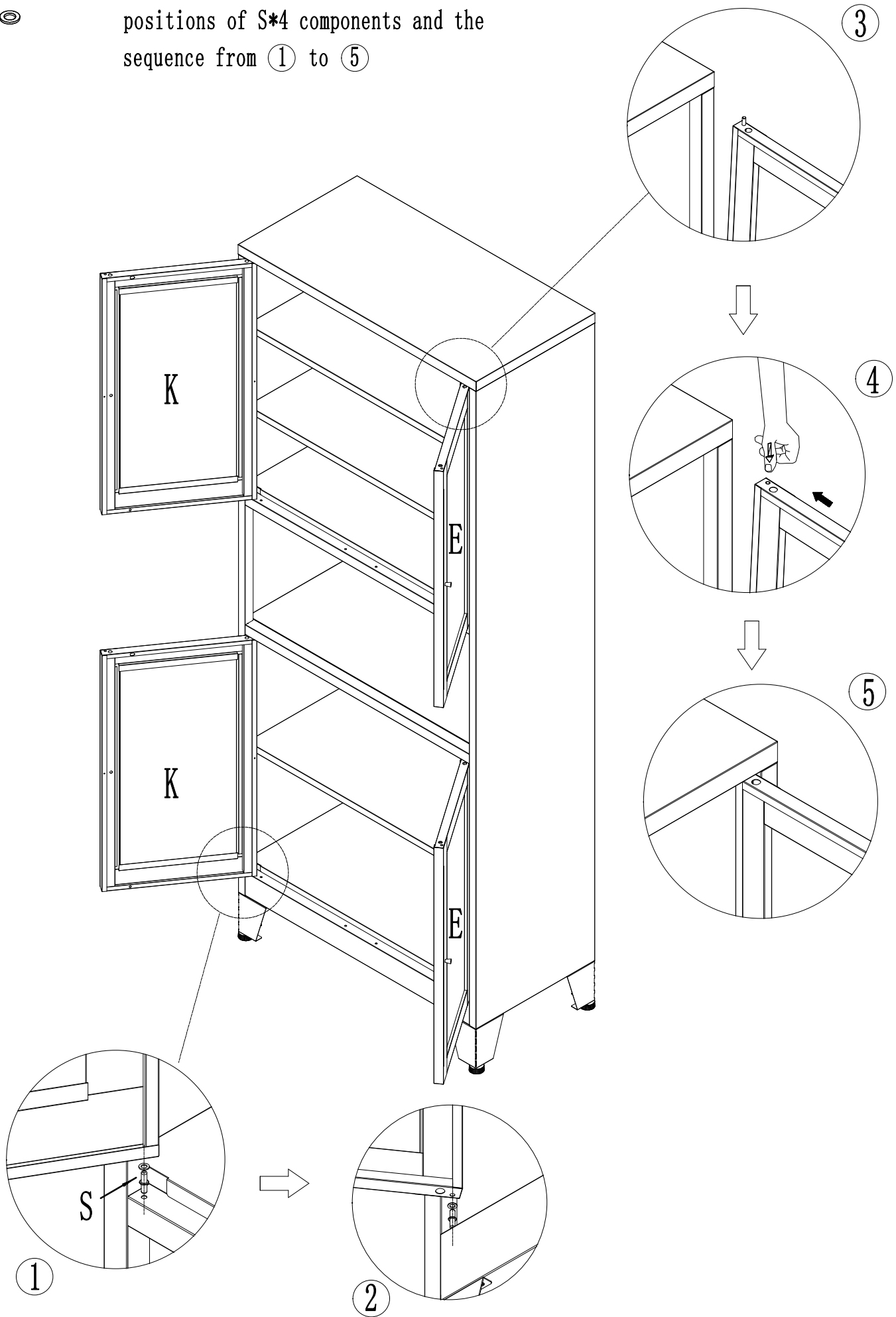
0*12



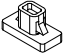
12

S*4 

Pay attention to the installation positions of S*4 components and the sequence from ① to ⑤



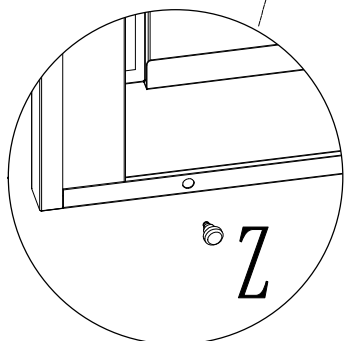
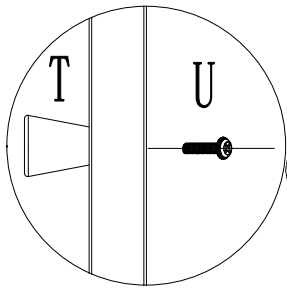
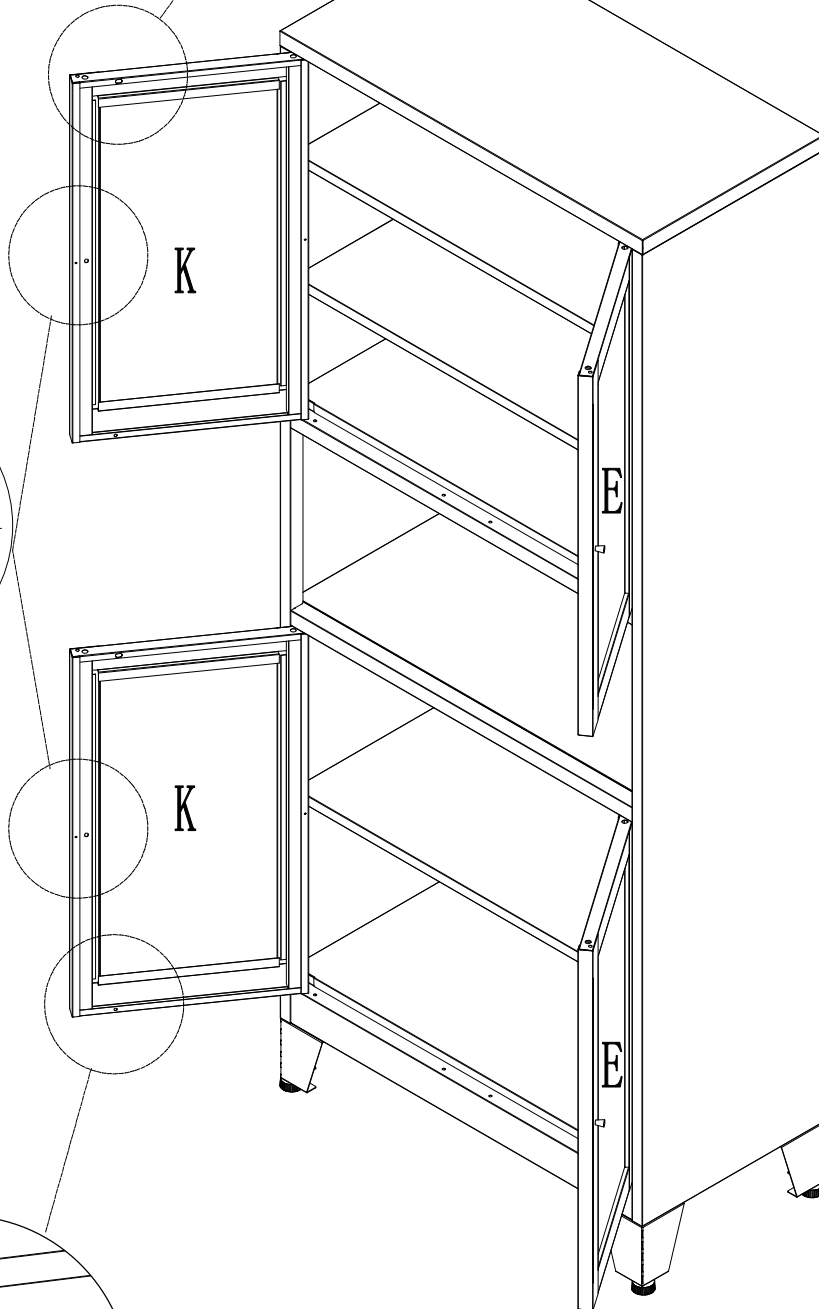
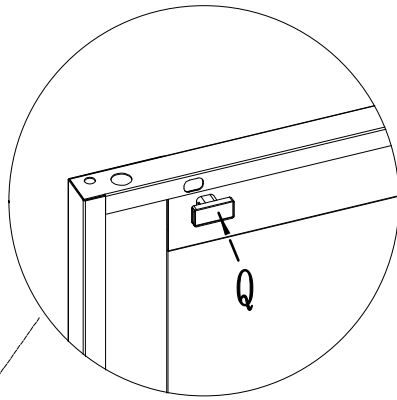
13

Q*4 

Z*4 

T*4 

U*4 

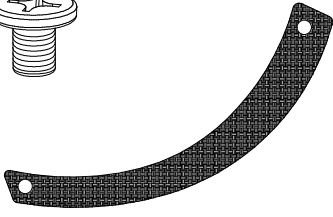


14

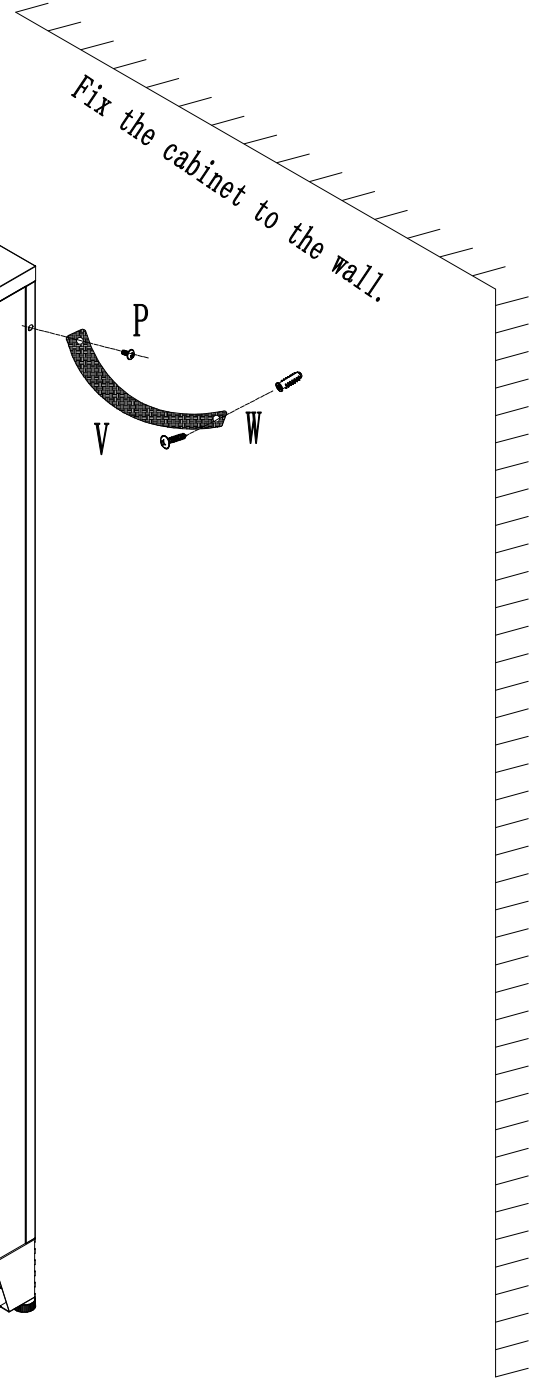
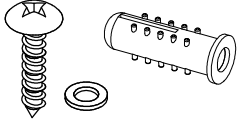
P*2



V*2



W*2



Fix the cabinet to the wall.

