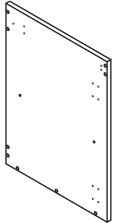
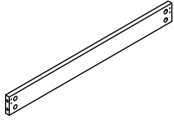
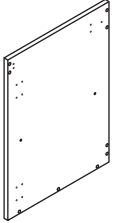
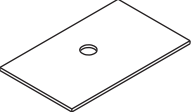
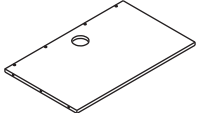
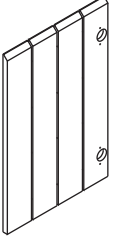
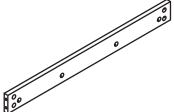
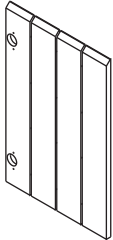
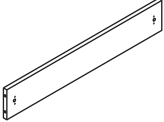
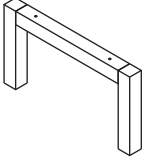

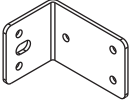



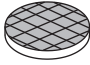
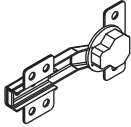

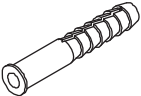


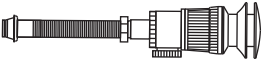
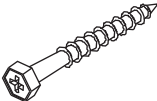
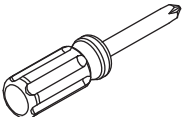



Bathroom Vanity

ASSEMBLY INSTRUCTIONS

1		x1	6		x1
2		x1	7		x1
3		x1	8		x1
4		x1	9		x1
5		x1	10		x2

ASSEMBLY INSTRUCTIONS

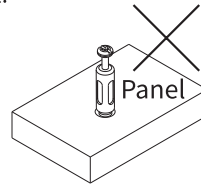
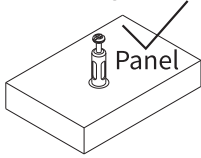
<p>A</p>	 $\varnothing 6 \times 26 \text{mm}$	<p>x22</p>	<p>I</p>		<p>x2</p>
<p>B</p>	 $\varnothing 15 \times 9 \text{mm}$	<p>x22</p>	<p>J</p>		<p>x2</p>
<p>C</p>	 $\varnothing 3.5 \times 14 \text{mm}$	<p>x42</p>	<p>K</p>		<p>x4</p>
<p>D</p>		<p>x4</p>	<p>L</p>		<p>x4</p>
<p>E</p>		<p>x2</p>	<p>M</p>		<p>x4</p>
<p>F</p>		<p>x2</p>	<p>N</p>		<p>x1</p>
<p>G</p>		<p>x2</p>	<p>O</p>		
<p>H</p>	 $\varnothing 4 \times 40 \text{mm}$	<p>x4</p>			

ASSEMBLY INSTRUCTIONS

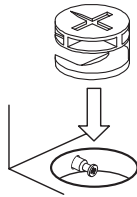
Use the Cam Lock and Eccentric Wheel

ECCENTRIC WHEEL

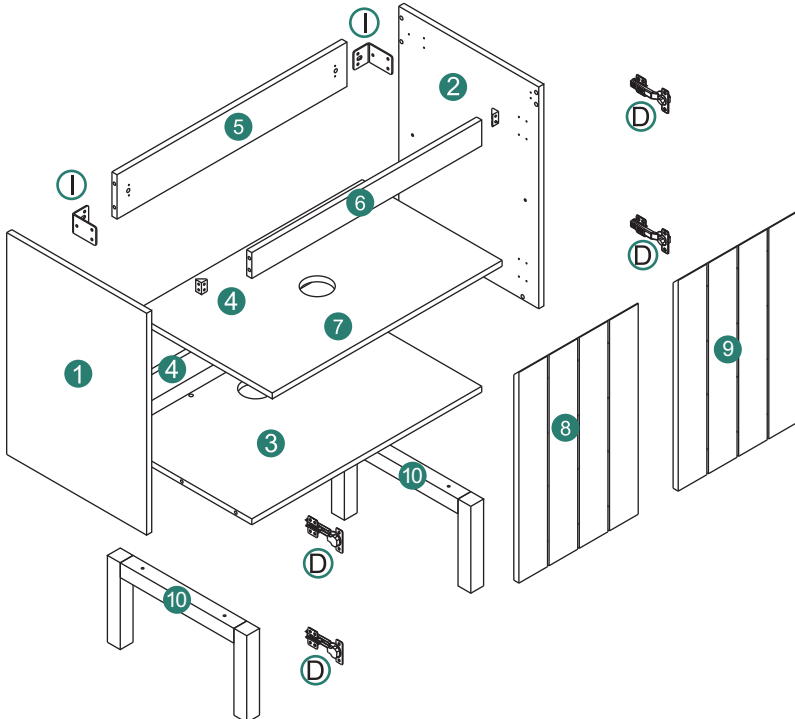
Tighten the bolt until the shoulder is aligned with the panel.
Be sure not to tighten too much or too little.



The pre-inserted nut should align with the center of the cam lock when joining two panels. The cam lock should be inserted before the eccentric wheel.

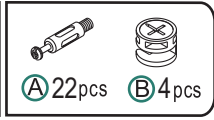
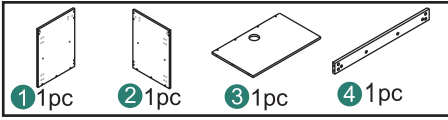



Turn the cam lock clockwise to tighten

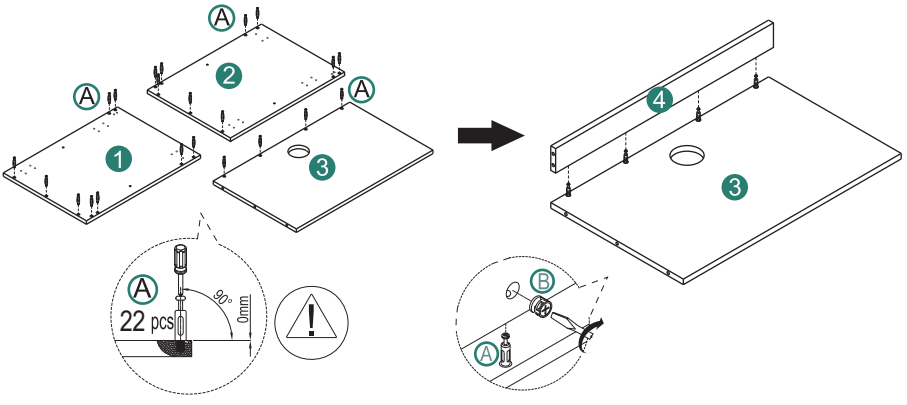


ASSEMBLY INSTRUCTIONS

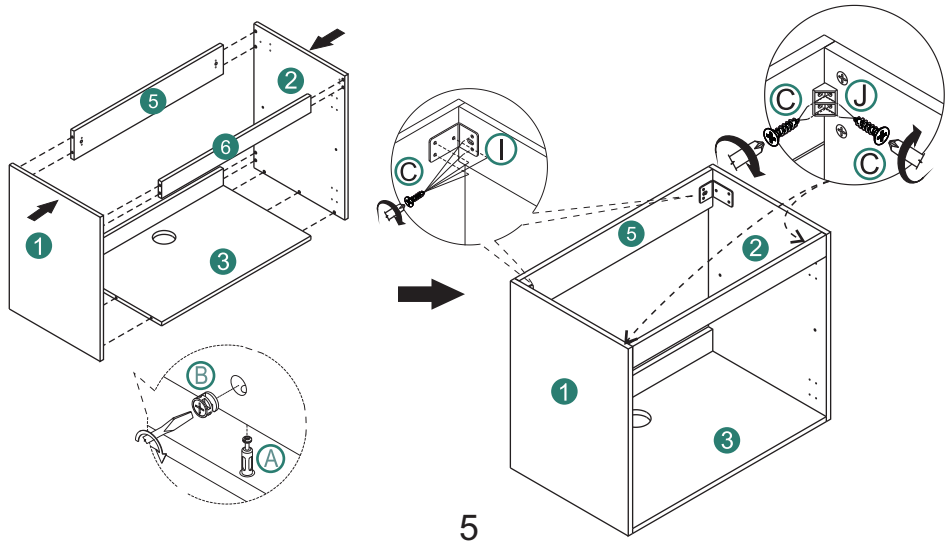
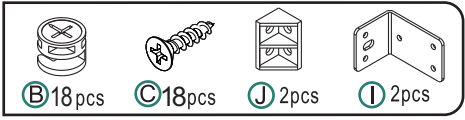
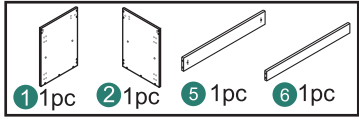
1



 The floor needs to be covered with paper or carpet protective material before installation!

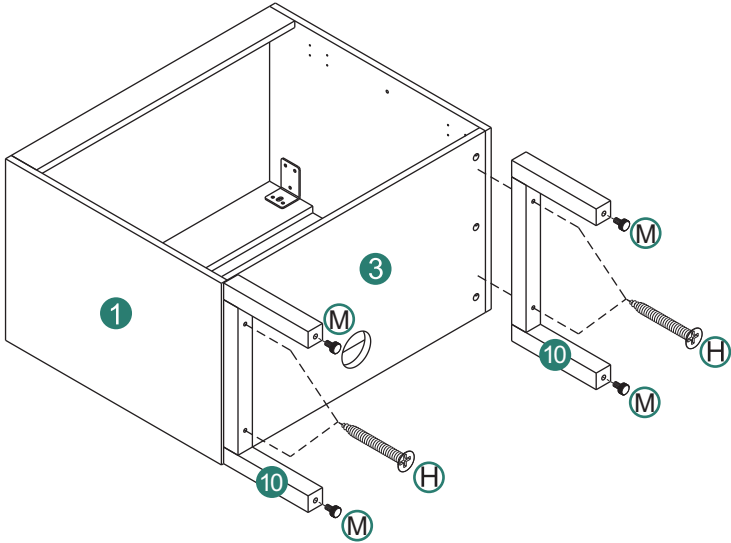


2

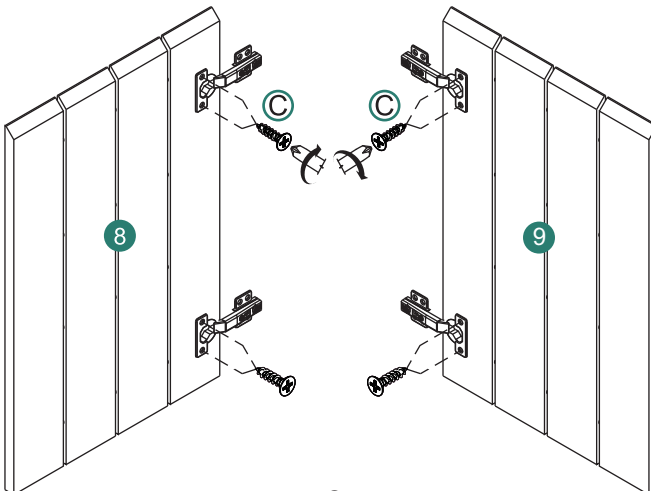
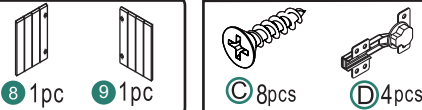


ASSEMBLY INSTRUCTIONS

3

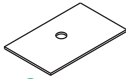


4



ASSEMBLY INSTRUCTIONS

5



7 1pc



8 1pc



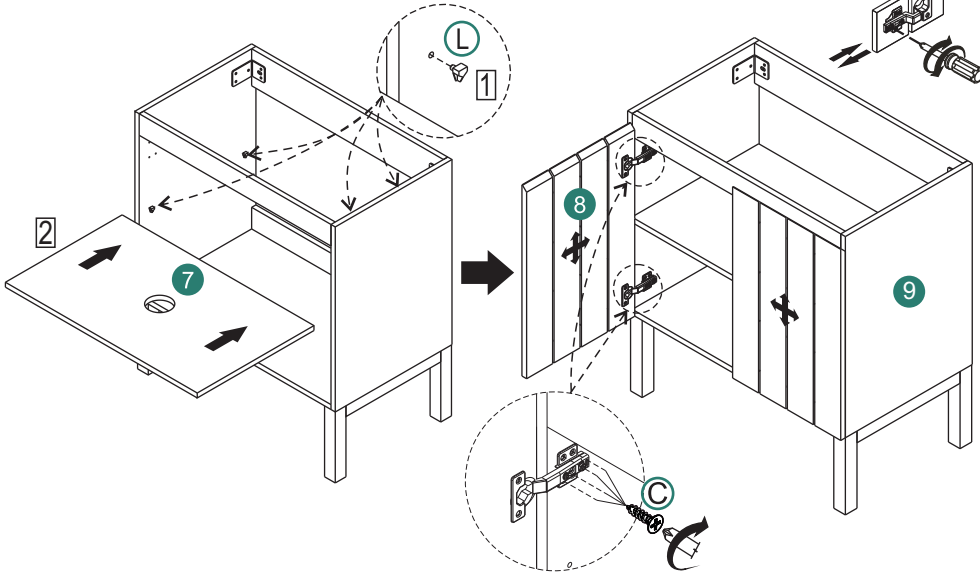
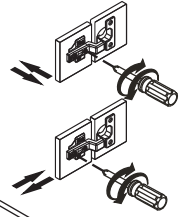
9 1pc



C 16pcs



L 4pcs



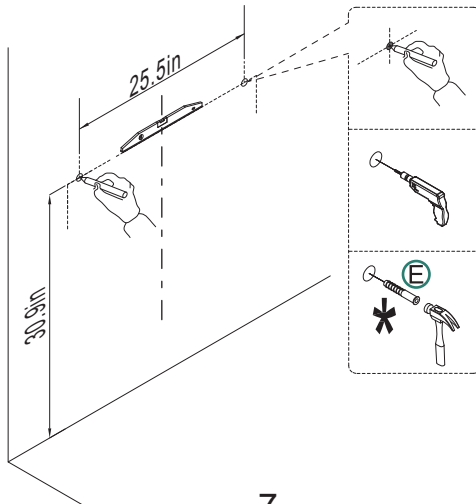
6



E 2 pcs



Bring your own tools

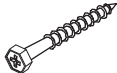


ASSEMBLY INSTRUCTIONS

7



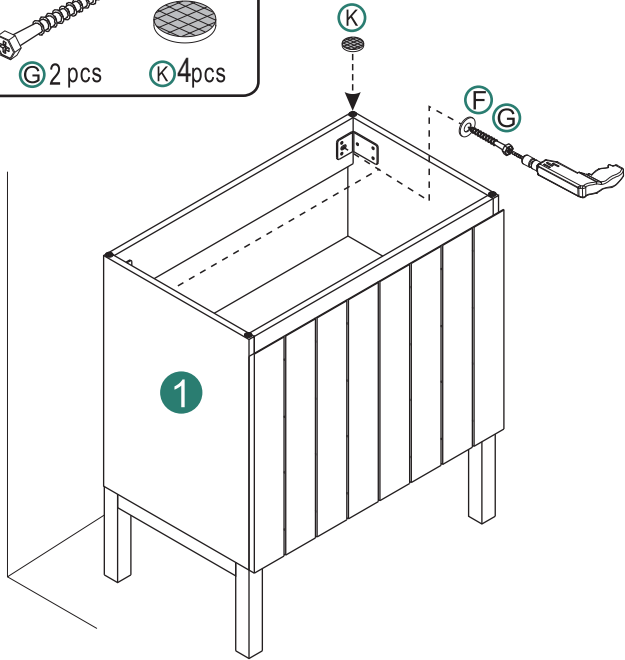
F 2 pcs



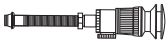
G 2 pcs



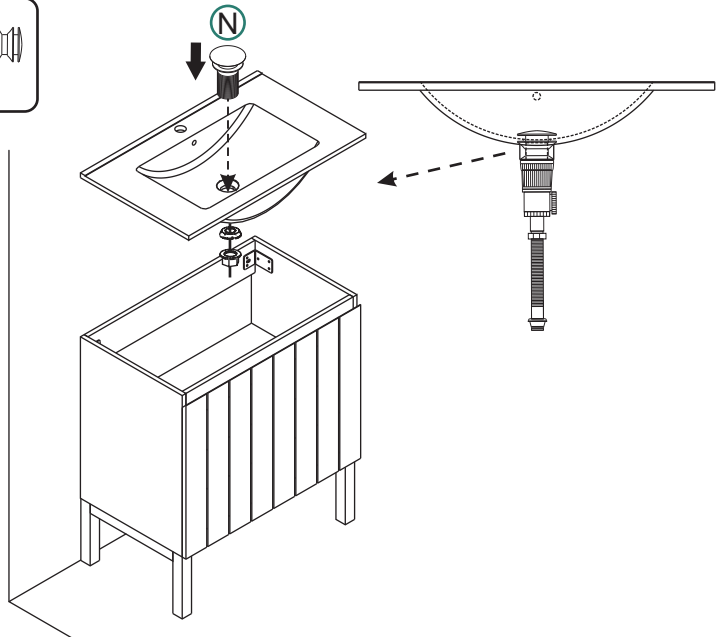
K 4 pcs



8



N 1 pcs



8