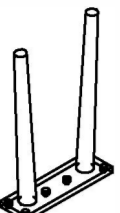
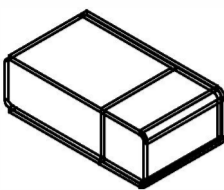
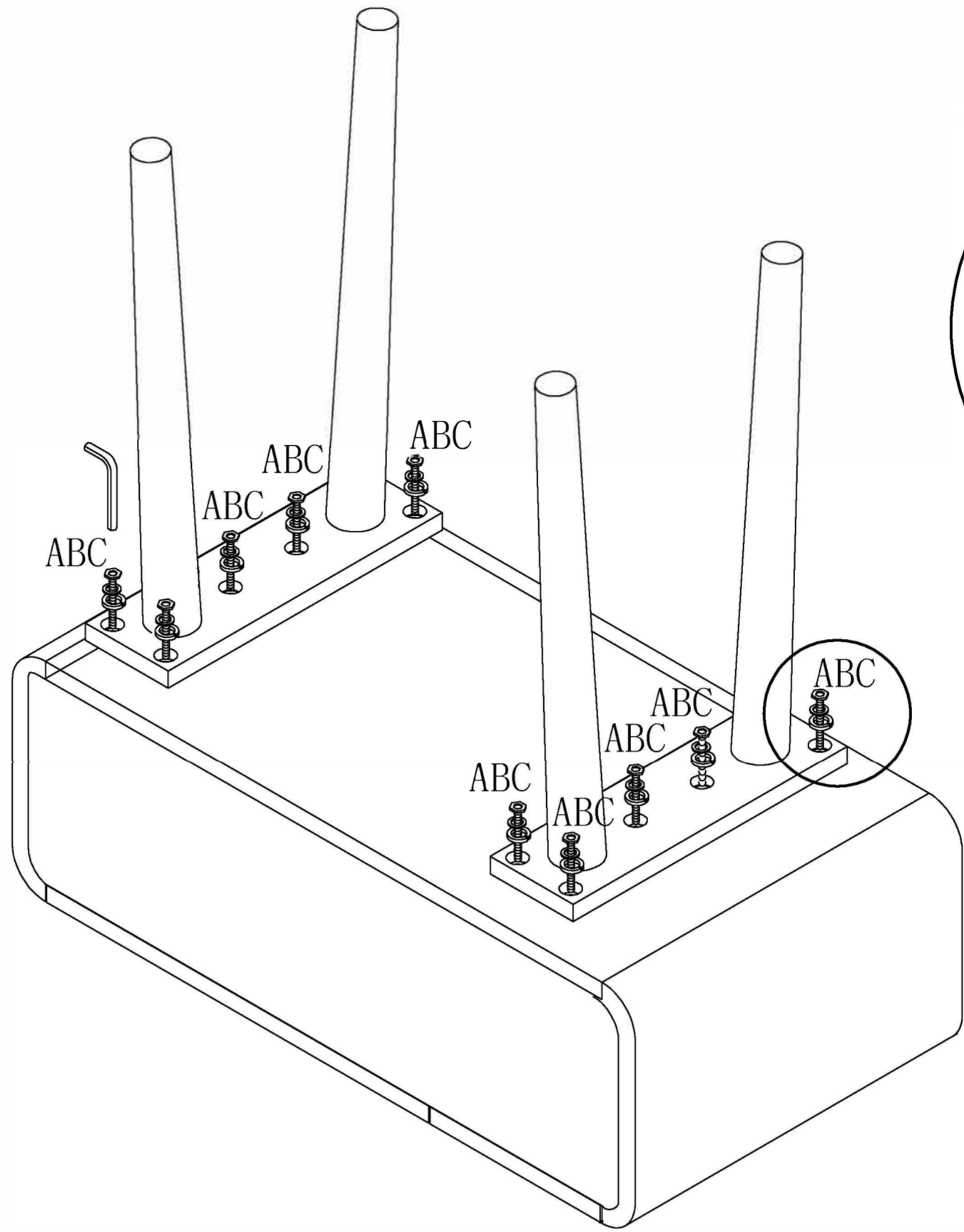





| NO. | Parts   | Quantity |
|-----|---|----------|
| ①   |  | 2        |
| ②   |  | 1        |

STEP 1



STEP 2

| NO. | Parts   | Quantity |
|-----|---|----------|
| A   |  | M8*25=12 |
| B   |  | M8=12    |
| C   |  | M8=12    |

