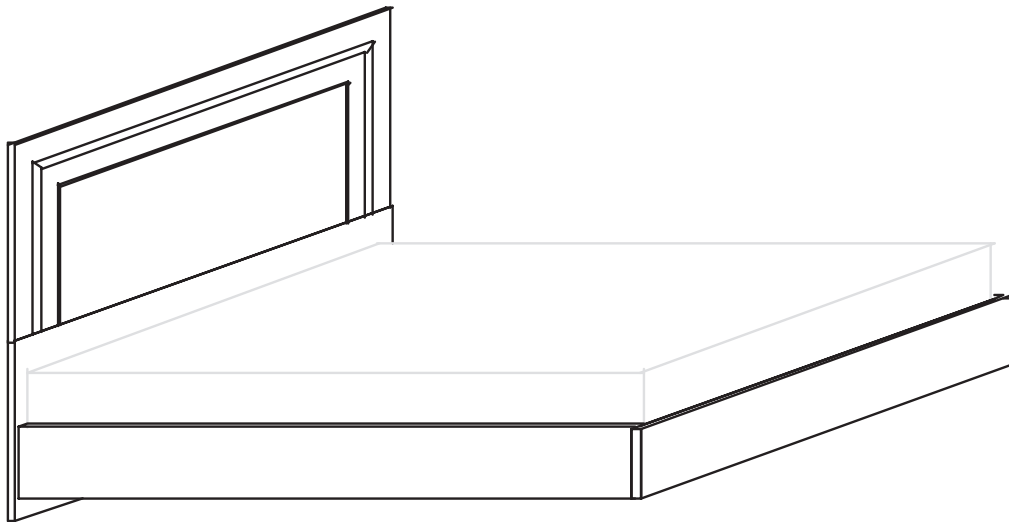




BED

ASSEMBLY INSTRUCTIONS



IMPORTANT
ASSEMBLING THIS
UNIT NEEDS
MINIMUM 2 PEOPLE

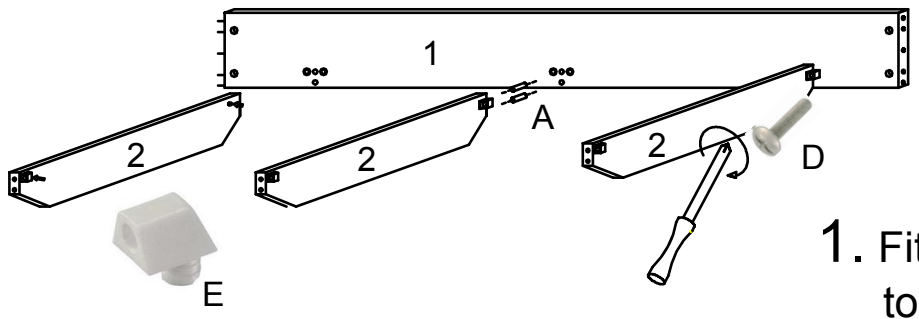


NO
DON'T USE THE DRILL









LEGEND

1	Side rails
2	Ring / Slat support
3	Side rails
4	Footboard
5	Under headboard
6	Headboard

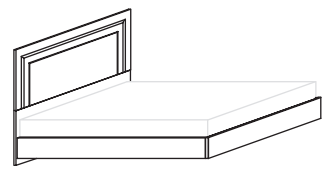
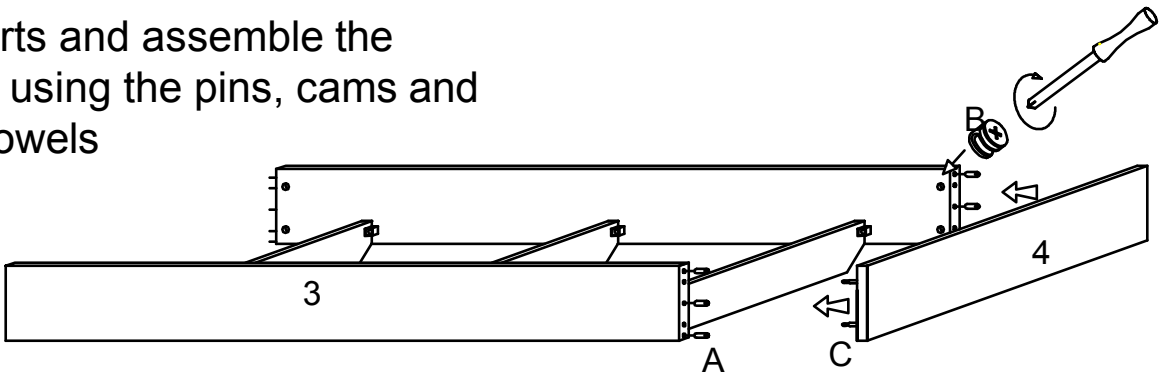


1. Fit the slat supports to the side rail, using the screws 4MA

PARTS CHECKLIST

A		Wooden dowels (24 pcs)
B		Cams(8 pcs)
C		Pins(8 pcs)
D		Screws TBL 4MA (6 pcs)
E		Cams for TBL 4MA(6 pcs)
F		Screws TBL 6MA (18 pcs)

2. Assemble the other side rail on the slat supports and assemble the footboard, using the pins, cams and wooden dowels



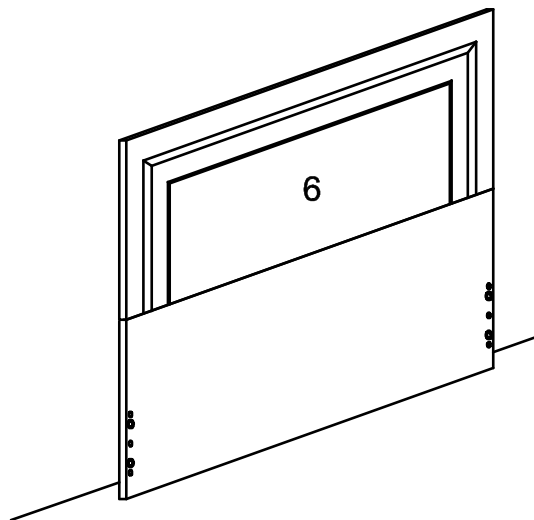
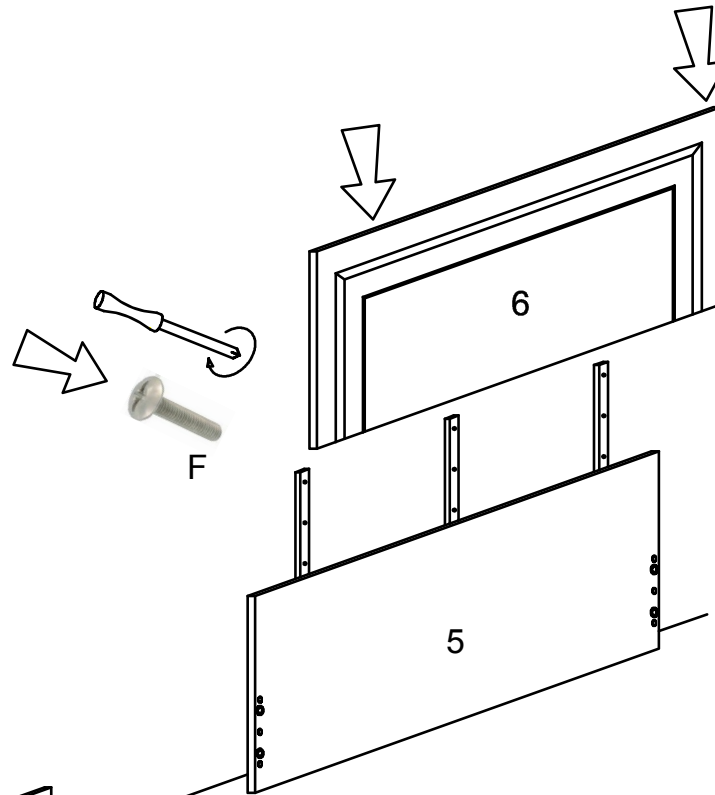
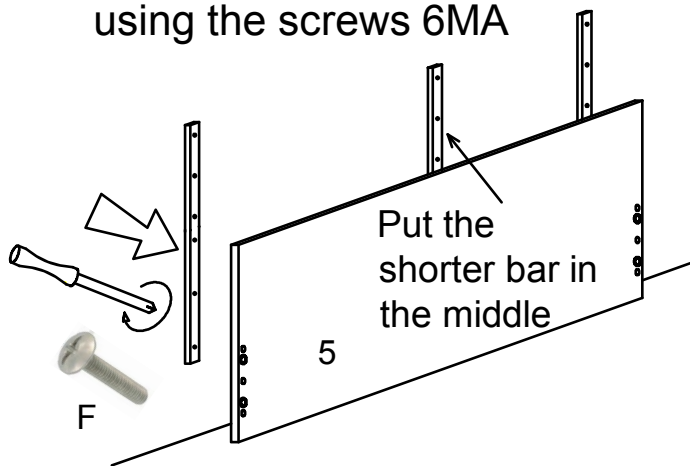
IMPORTANT
ASSEMBLING THIS
UNIT NEEDS
MINIMUM 2 PEOPLE



NO
DON'T USE THE DRILL



3. Fit the iron bars first on the under headboard and then on the headboard, using the screws 6MA

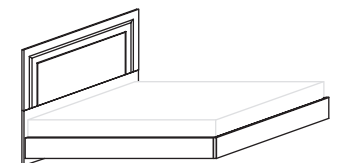


LEGEND

1	Side rails
2	Ring / Slat support
3	Side rails
4	Footboard
5	Under headboard
6	Headboard

PARTS CHECKLIST

A		Wooden dowels (24 pcs)
B		Cams(8 pcs)
C		Pins(8 pcs)
D		Screws TBL 4MA (6 pcs)
E		Cams for TBL 4MA(6 pcs)
F		Screws TBL 6MA (18 pcs)



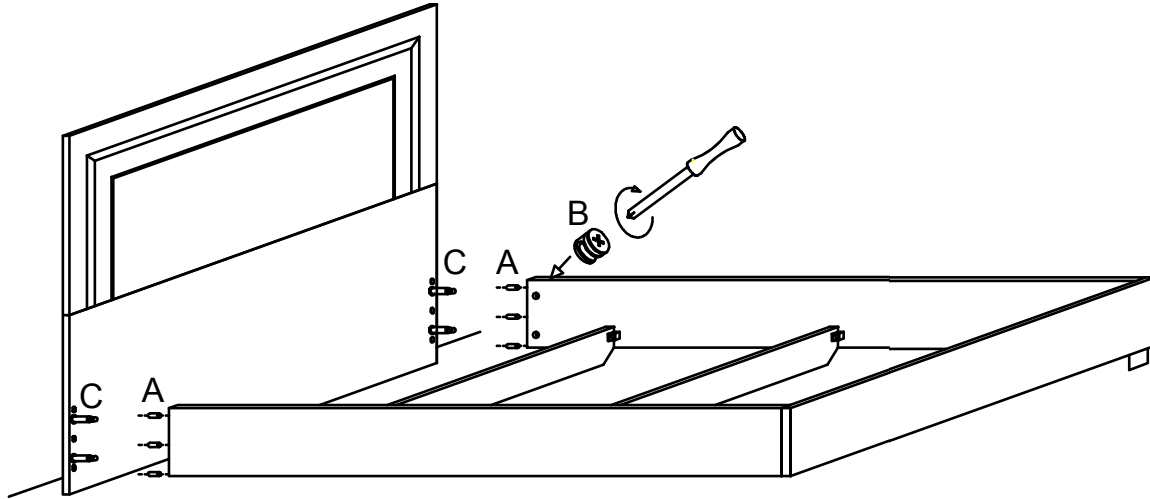
IMPORTANT
ASSEMBLING THIS
UNIT NEEDS
MINIMUM 2 PEOPLE



NO
DON'T USE THE DRILL



4. Assemble the headboard to the side rails. Using the pins, cams and wooden dowels

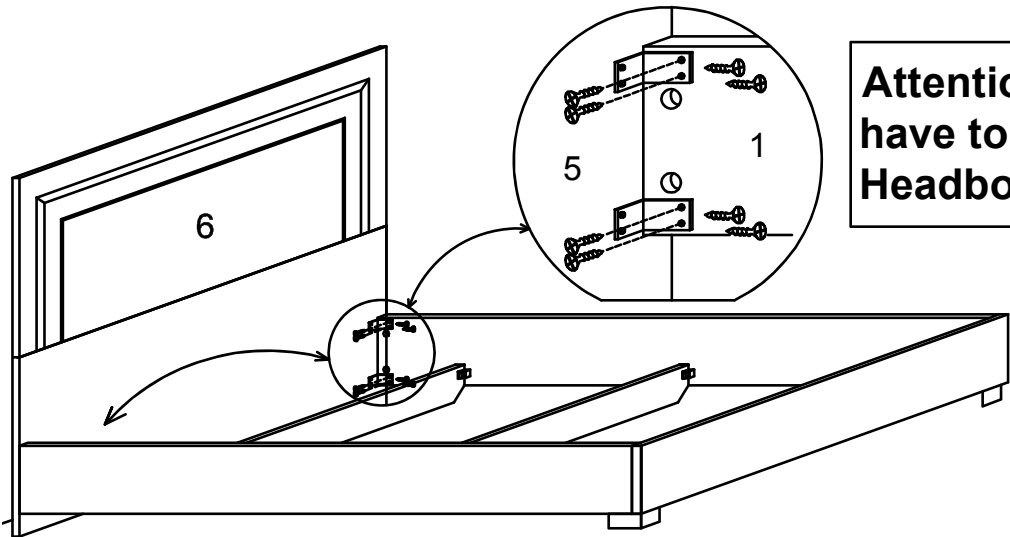


LEGEND

1	Side rails
2	Ring / Slat support
3	Side rails
4	Footboard
5	Under headboard
6	Headboard

PARTS CHECKLIST

A		Wooden dowels (24 pcs)
B		Cams(8 pcs)
C		Pins(8 pcs)
D		Screws TBL 4MA (6 pcs)
E		Cams for TBL 4MA(6 pcs)
F		Screws TBL 6MA (18 pcs)



Attention: the iron corners have to be fixed only on the Headboard side

5. Fit the iron corner on the side rails and to the under headboard, using the screws TSP 4x20

