

CARE & MAINTENANCE

1. Protect against moisture.
2. Wipe a clean, lint free cloth.
3. Do not use ammoniated detergents, metal or furniture polish or other abrasive cleaning agents.
4. Avoid Spills, wipe up immediately with a dry, clean, lint free cloth.
5. Do not expose to harsh or direct sunlight.
6. Please make sure that you have all parts indicated before you begin assembly of this item.
7. This item should be assembled on a soft surface to prevent scratching the finish during assembly.
7. This item may require periodic tightening.

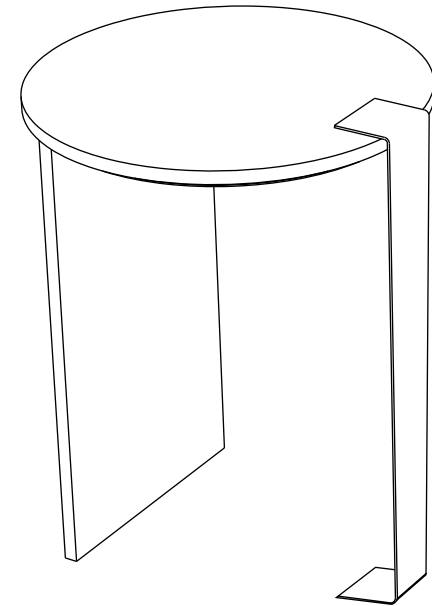
JONATHAN Y

Item: MTB1100A

Description: Marble End Table

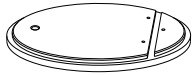


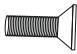


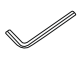
Size: 17"W x 17"D x 20.66"H

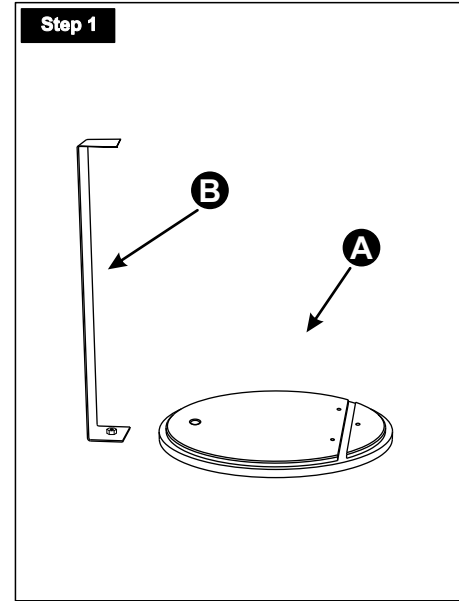
ASSEMBLY INSTRUCTIONS



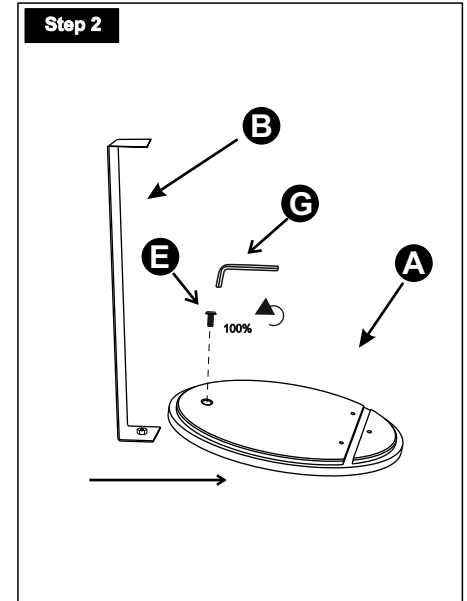
If there are any questions relating to defects, missing parts, assembly issues, or replacements, please send a detailed email to cs@jonathany.com

Part List and Hardware List

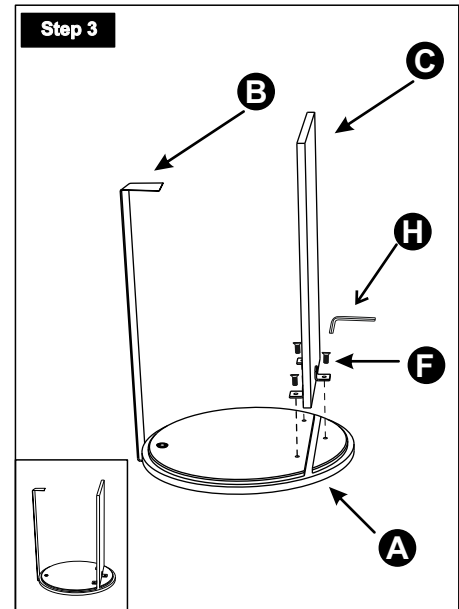
PIECE	DESCRIPTION	PICTURE	QUANTITY
A	MARBLE TOP		1
B	METAL LEG		1
C	MARBLE LEG		1
E	LARGE SCREW		1
F	SMALL SCREW		3
G	LARGE ALLEN KEY		1
H	SMALL ALLEN KEY		1



Place the Marble Top (A) upside down on a soft, clean surface to prevent the scratches.



Attach Metal Leg (B) by inserting a screw (E) and tighten with Allen key (G).



Tighten the Marble Leg screws (F) firmly using care with Allen key (H).

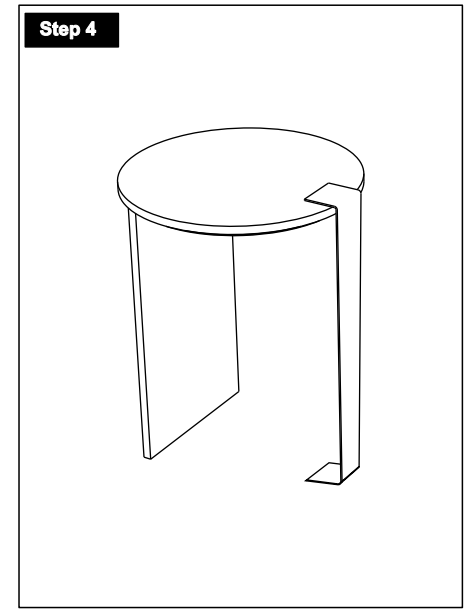


Table is now assembled and ready to use.