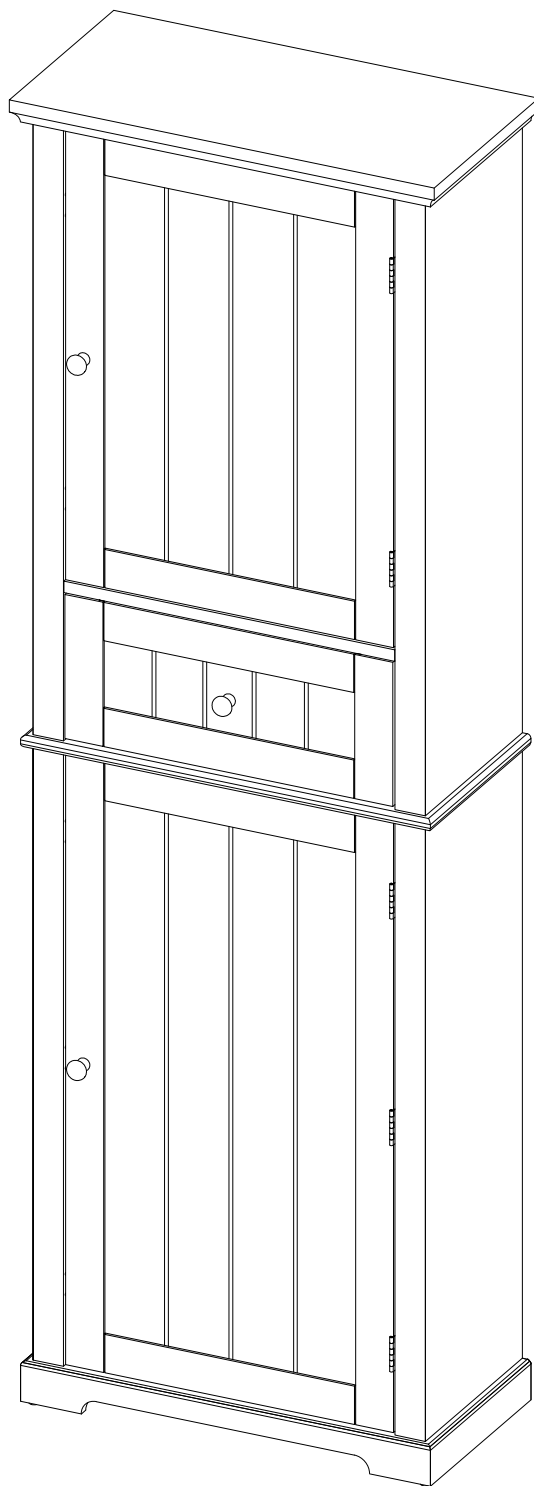


Bathroom storage cabinet

Assembly Instructions - Please keep for future reference



Important - Please read these instructions fully before starting assembly

Issue 1 - 23/09/24



Safety and Care Advice

Important – Please read these instructions fully before starting assembly

- Check you have all the components and tools listed on the following pages.
- Remove all fittings from the plastic bags and separate them into their groups.
- Keep children and animals away from the work area, small parts could choke if swallowed.
- Make sure you have enough space to layout the parts before starting.

- During assembly do not stand or put weight on the product, this could cause damage.
- Assemble the item as close to its final position (in the same room) as possible.
- Assemble on a soft level surface to avoid damaging the unit or your floor.
- Parts of the assembly will be easier with 2 people.



- To reduce the likelihood of damaging your product please ensure that your power drill is set on a low torque setting.

Care and maintenance

- Only clean using a damp cloth and mild detergent, do not use bleach or abrasive cleaners.
- From time to time check that there are no loose screws on this unit.
- This product should not be discarded with household waste. Take to your local authority waste disposal centre.

Handy Hints

- Assemble all parts and bolts loosely during assembly, only once the product is complete should you fully tighten the bolts
- Regularly check and ensure That all bolts and fittings are tightened properly.

WARNING In order to help prevent overturning – please follow these instructions

To help prevent product toppling over please follow the below steps:-

Use the anti tip strap or wall fixing method provided (if applicable)
Do not allow children to climb or hang on the furniture
Do not open more than one drawer at a time
Do not place heavy items in the top drawers
Do not place heavy items on top of the furniture, unless the furniture has been designed for this purpose

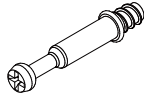

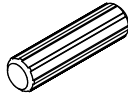

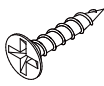

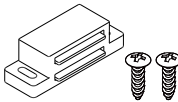
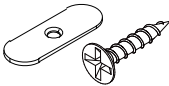
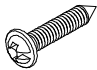
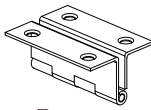
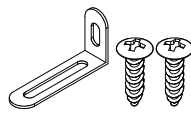
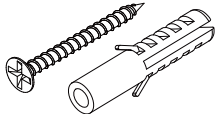
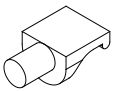
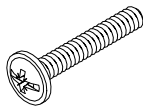
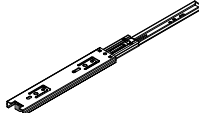

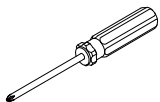
Please note that only the anti tip strap is provided.

You will need to provide wall plugs and screws applicable for your wall type

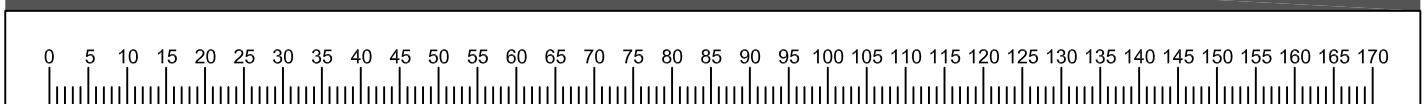
Components - Fittings

Please check you have all the panels listed below

Note: The quantities below are the correct amount to complete the assembly. In some cases more fittings may be supplied than are required.

| | | | |
|--|---|--|--|
| <p>A</p>  <p>Cam Bolt x 36</p> | <p>B</p>  <p>Cam Lock x 36</p> | <p>C</p>  <p>6*30mm Dowel x 42</p> | <p>D</p>  <p>4*35mm Screw x 12</p> |
| <p>E</p>  <p>3.5*12mm Screw x 28</p> | <p>F</p>  <p>Handle x 3</p> | <p>G</p>  <p>Magnetism Mass x 2</p> | <p>H</p>  <p>Metal Plate x 2</p> |
| <p>I</p>  <p>2.5*12mm Screw x 28</p> | <p>J</p>  <p>Hinge x 5</p> | <p>K</p>  <p>Wall Fixing x 1</p> | <p>L</p>  <p>Wall Plug x 1</p> |
| <p>M</p>  <p>Shelf Bracket x 4</p> | <p>N</p>  <p>M4*16mm Screw x 3</p> | <p>O</p>  <p>Runner x 2</p> | <p>P</p>  <p>4*30mm Screw x 4</p> |
| <p>Q</p>  <p>Screwdriver x 1</p> | | | |

Ruler - Use this ruler to help correctly identify the screws



The screws length is measured from the head to the point (35mm screw shown).

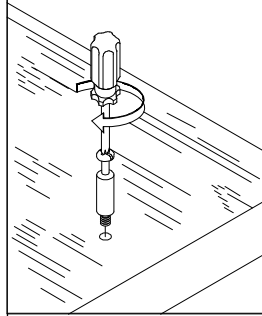
Using Camlocks

Step 1

Connect the male camlock as directed in the assembly instructions using a screwdriver.

1

DO NOT OVER TIGHTEN.
NE PAS SERRER EXCESSIVEMENT.



Step 2

Push the male camlock into the entry hole.

2

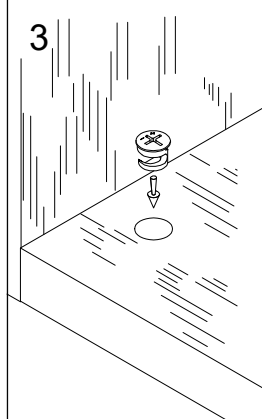


Step 3

Insert the female camlock as shown in the instruction.

Note: ensure that the arrow on the top of the camlock points towards the entry hole for the male camlock.

3



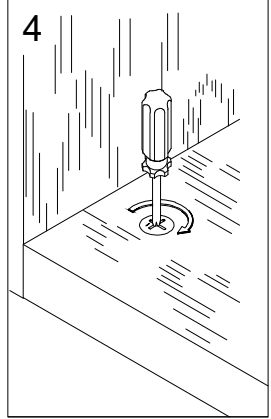
Step 4

Turn the female camlock clockwise with a screwdriver.

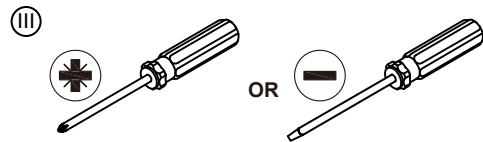
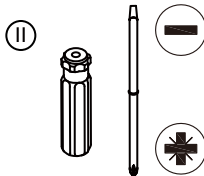
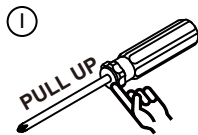
You should feel a click when the camlock is locked in place.

The joint is now secure.

4

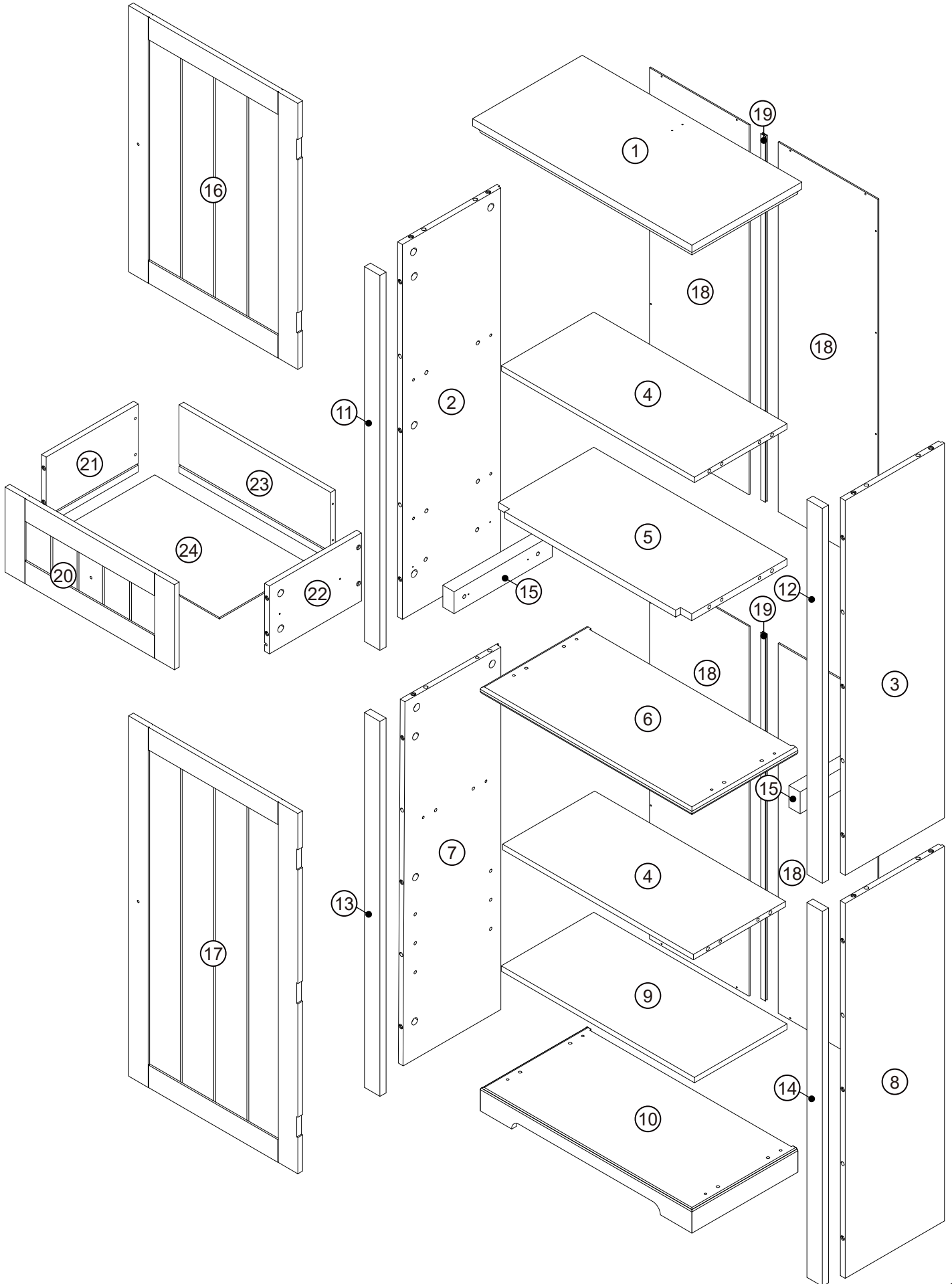


Tools required

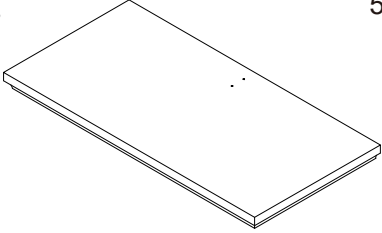
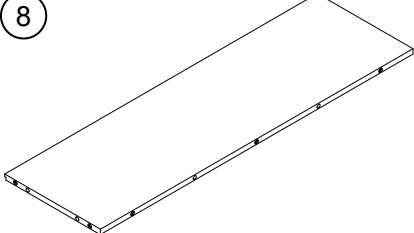
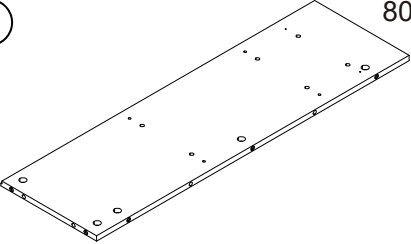
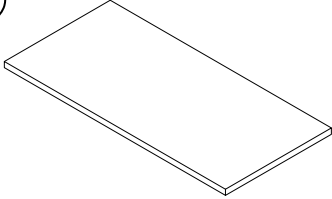
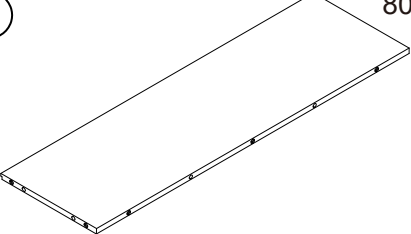
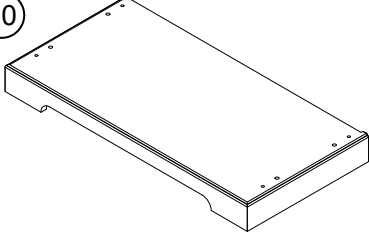
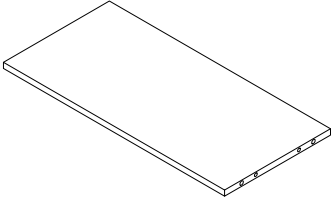
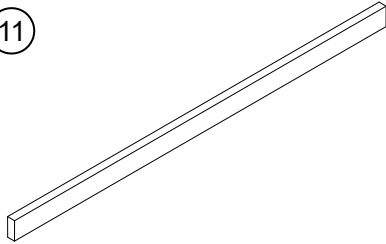
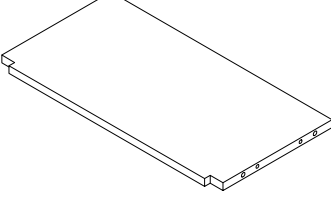
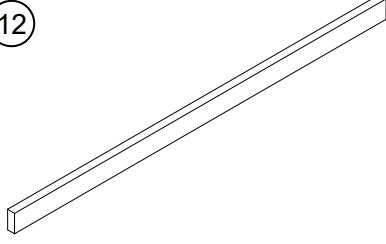
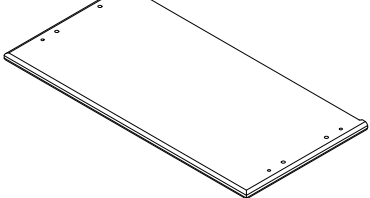
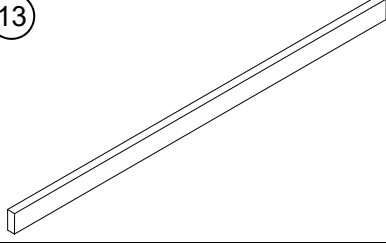
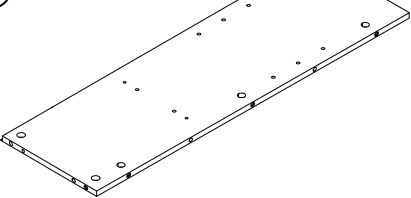
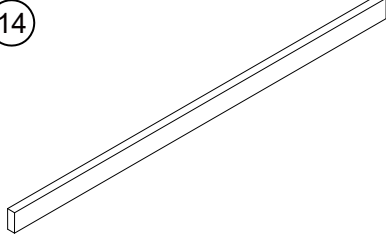


Screwdrivers can be converted to Phillips and Slotted.

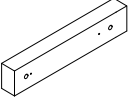
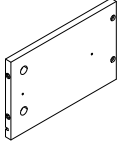
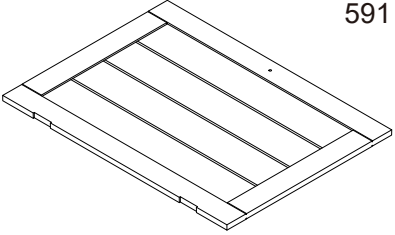
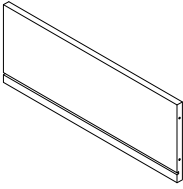
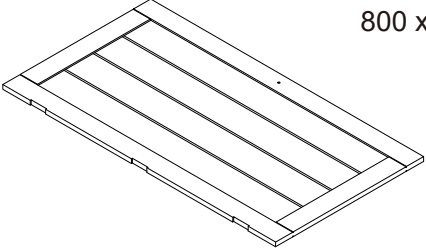
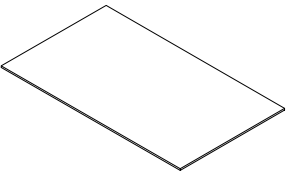
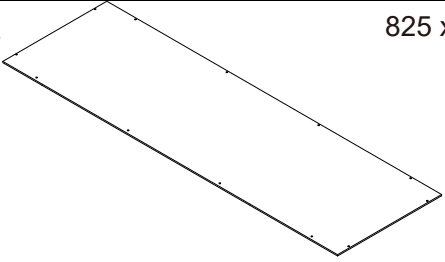
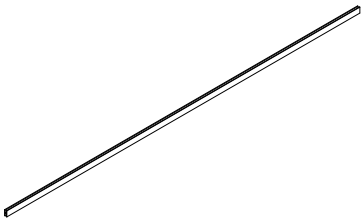
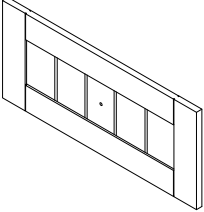
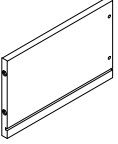
Assembly Instructions



Assembly Instructions

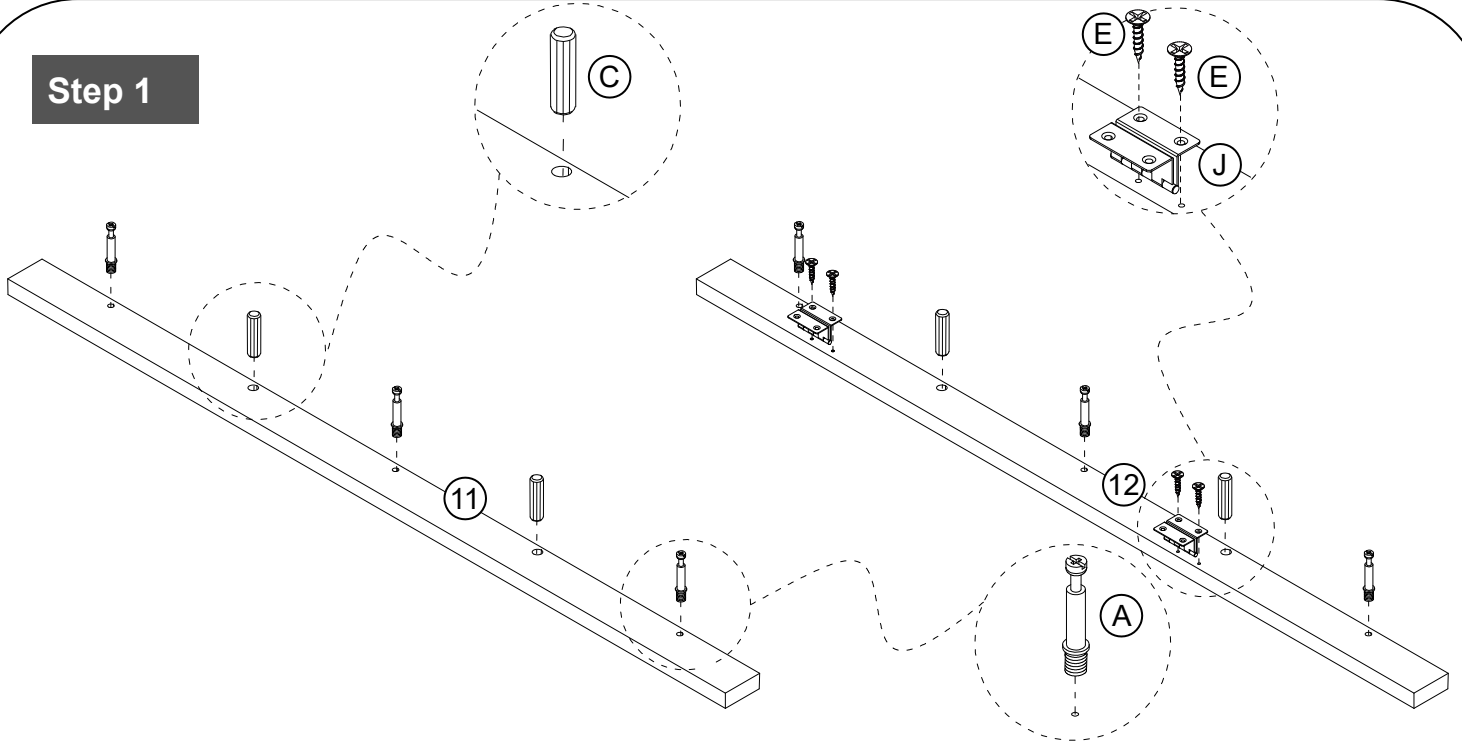
| | |
|---|---|
| <p>①</p>  <p>560 x 280 x 30 mm</p> <p>1</p> | <p>⑧</p>  <p>807 x 240 x 12 mm</p> <p>1</p> |
| <p>②</p>  <p>807 x 240 x 12 mm</p> <p>1</p> | <p>⑨</p>  <p>483 x 233 x 12 mm</p> <p>1</p> |
| <p>③</p>  <p>807 x 240 x 12 mm</p> <p>1</p> | <p>⑩</p>  <p>542 x 272 x 40 mm</p> <p>1</p> |
| <p>④</p>  <p>486 x 234 x 12 mm</p> <p>2</p> | <p>⑪</p>  <p>807 x 40 x 15 mm</p> <p>1</p> |
| <p>⑤</p>  <p>486 x 250 x 15 mm</p> <p>1</p> | <p>⑫</p>  <p>807 x 40 x 15 mm</p> <p>1</p> |
| <p>⑥</p>  <p>540 x 270 x 15 mm</p> <p>1</p> | <p>⑬</p>  <p>807 x 40 x 12 mm</p> <p>1</p> |
| <p>⑦</p>  <p>807 x 240 x 12 mm</p> <p>1</p> | <p>⑭</p>  <p>807 x 40 x 12 mm</p> <p>1</p> |

Assembly Instructions

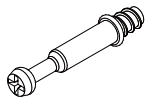
| | |
|--|--|
| <p>15</p> <p>233 x 40 x 25 mm</p>  <p>2</p> | <p>22</p> <p>230 x 150 x 12 mm</p>  <p>1</p> |
| <p>16</p> <p>591 x 427 x 15 mm</p>  <p>1</p> | <p>23</p> <p>383 x 150 x 12 mm</p>  <p>1</p> |
| <p>17</p> <p>800 x 427 x 15 mm</p>  <p>1</p> | <p>24</p> <p>391 x 226 x 3 mm</p>  <p>1</p> |
| <p>18</p> <p>825 x 250 x 3 mm</p>  <p>4</p> | |
| <p>19</p> <p>810 x 5 x 5 mm</p>  <p>2</p> | |
| <p>20</p> <p>427 x 190 x 15 mm</p>  <p>1</p> | |
| <p>21</p> <p>230 x 150 x 12 mm</p>  <p>1</p> | |

Assembly Instructions

Step 1

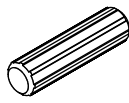


(A)



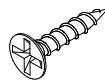
Cam Bolt x 6

(C)



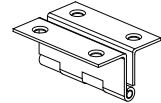
6*30mm Dowel x 4

(E)



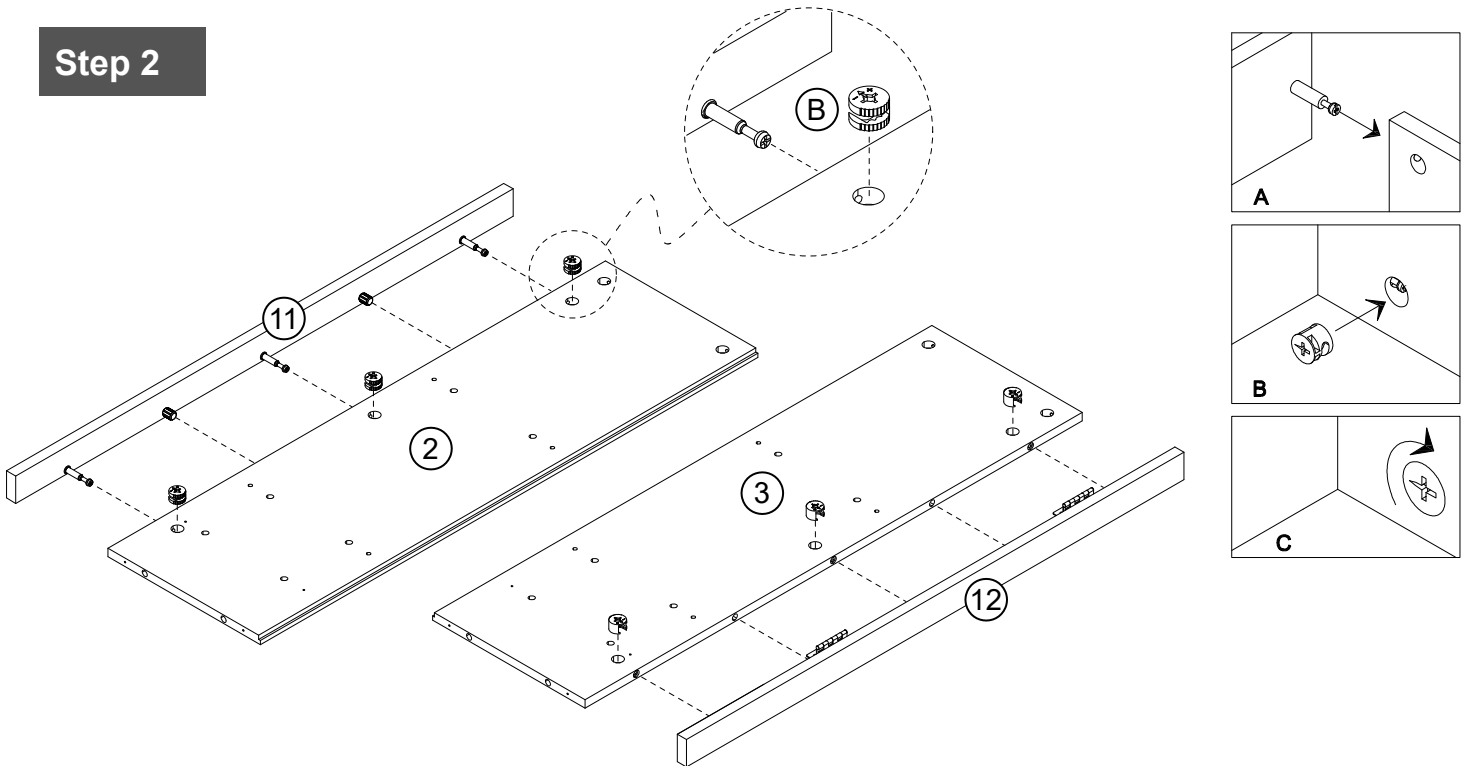
3.5*12mm Screw x 4

(J)



Hinge x 2

Step 2



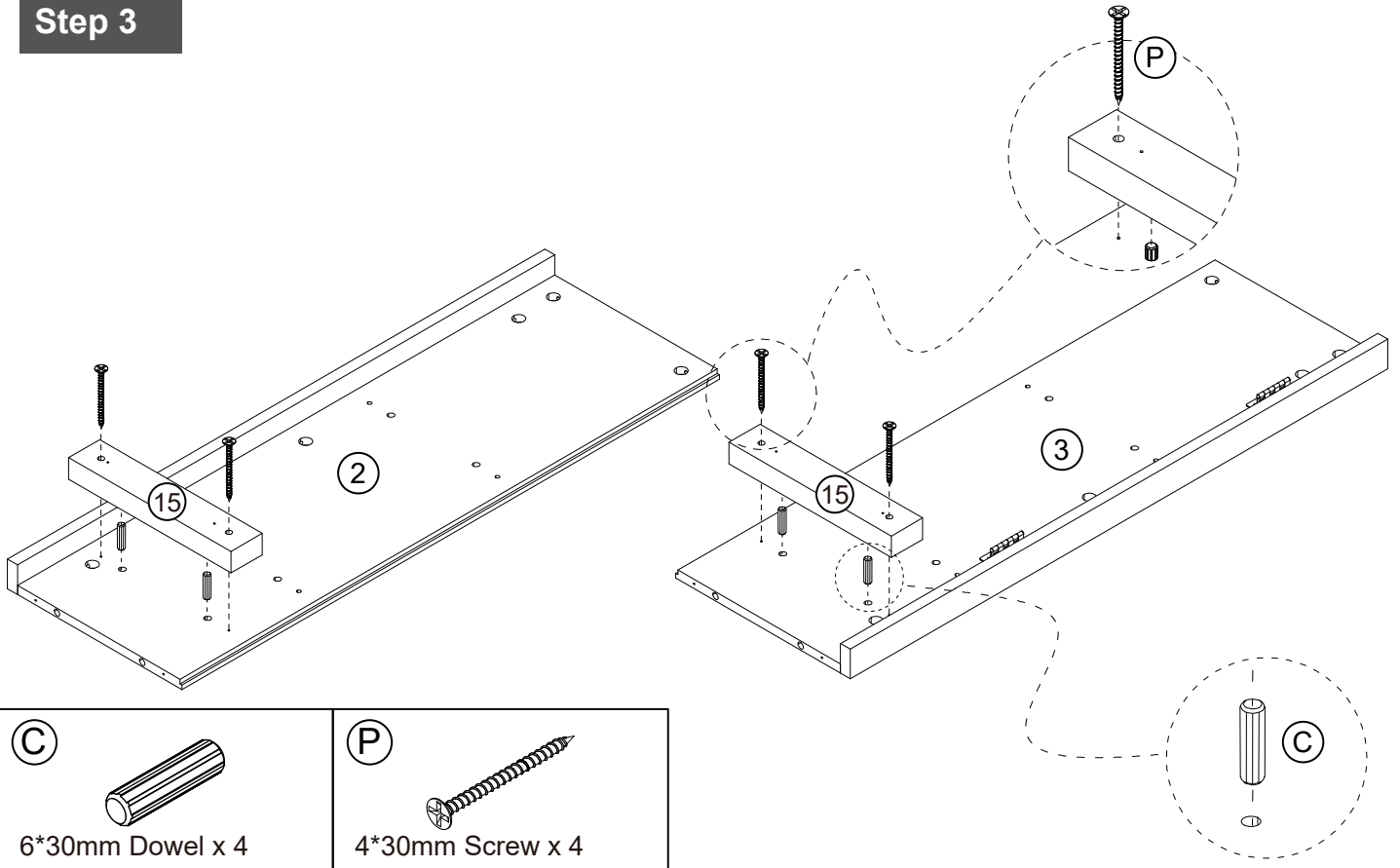
(B)



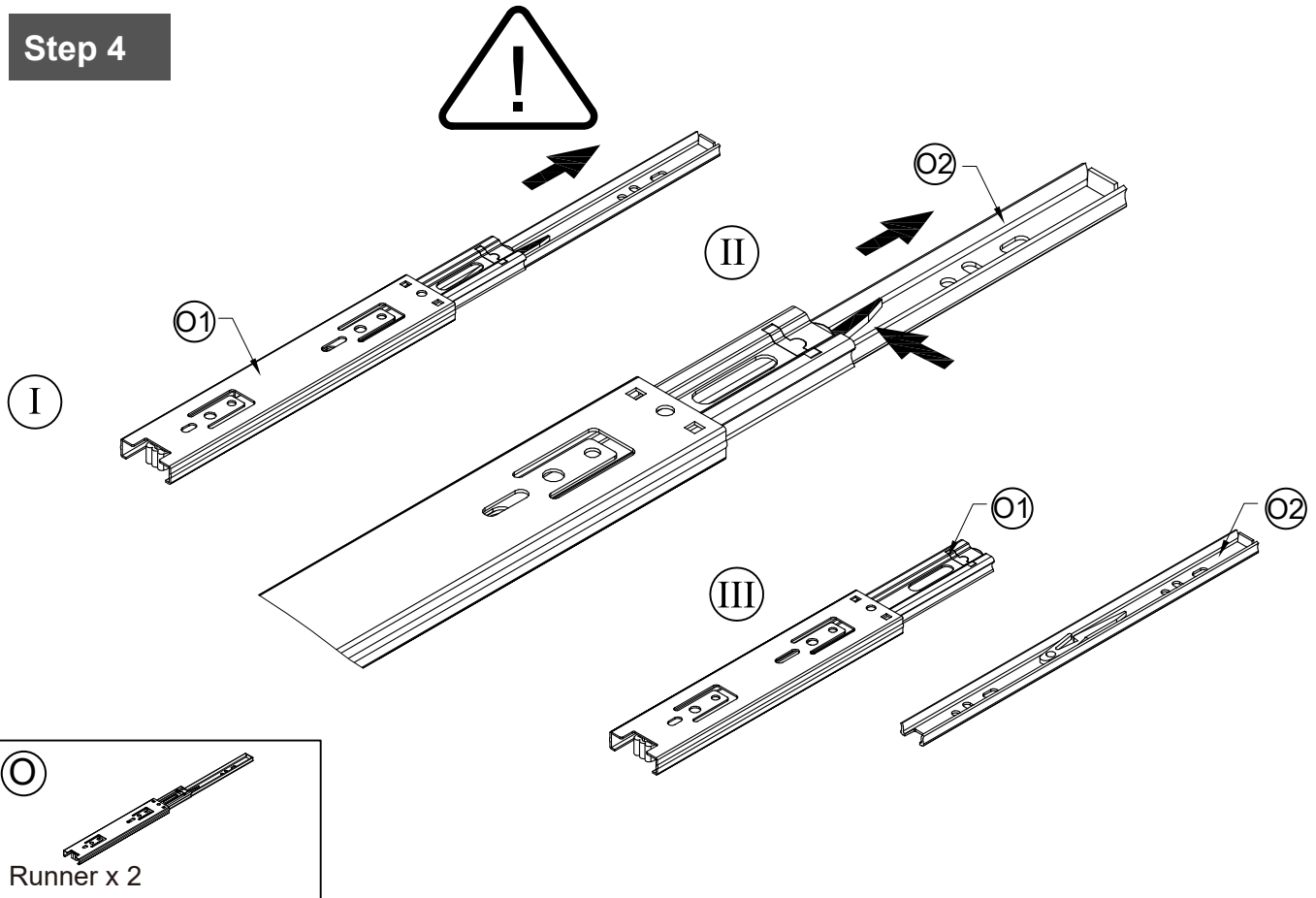
Cam Lock x 6

Assembly Instructions

Step 3

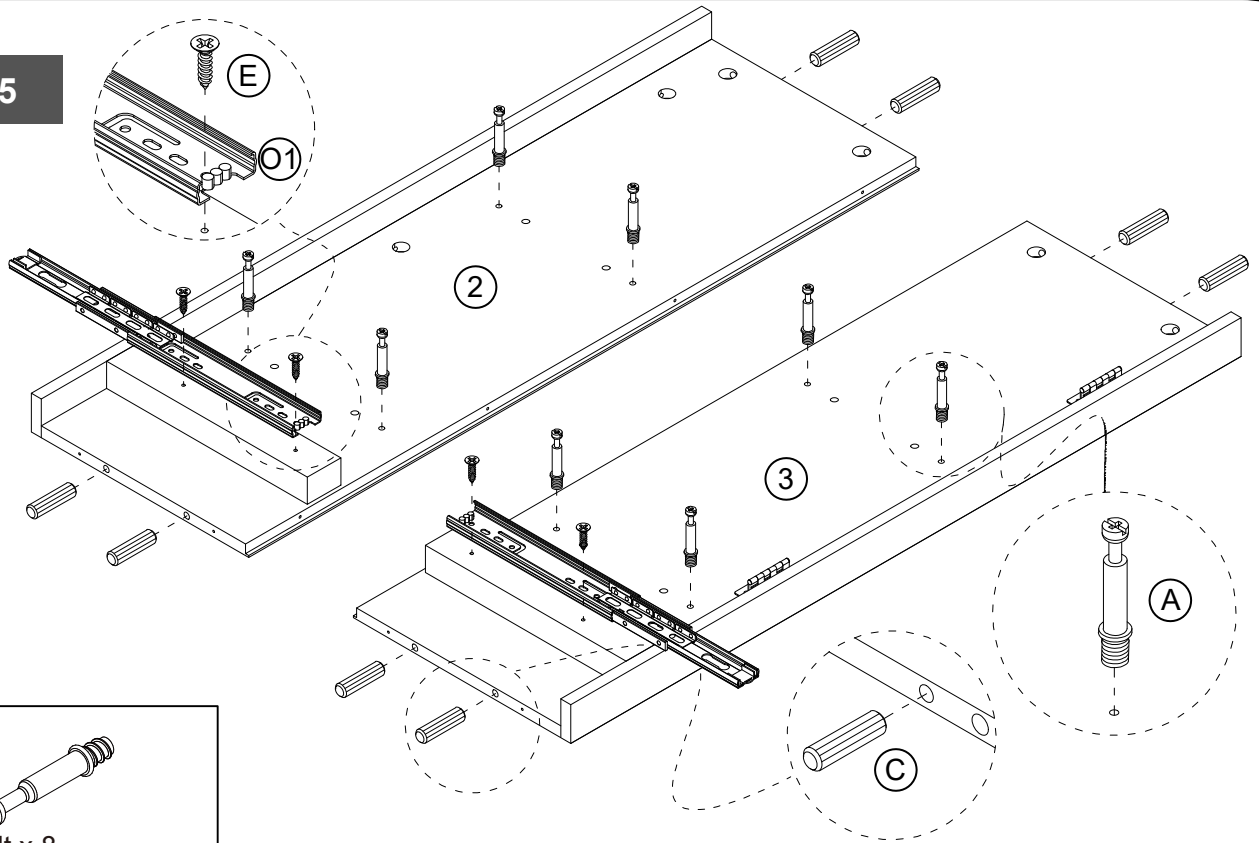


Step 4

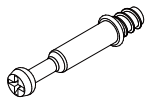


Assembly Instructions

Step 5

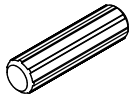


A



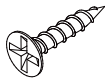
Cam Bolt x 8

C



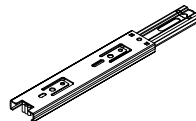
6*30mm Dowel x 8

E



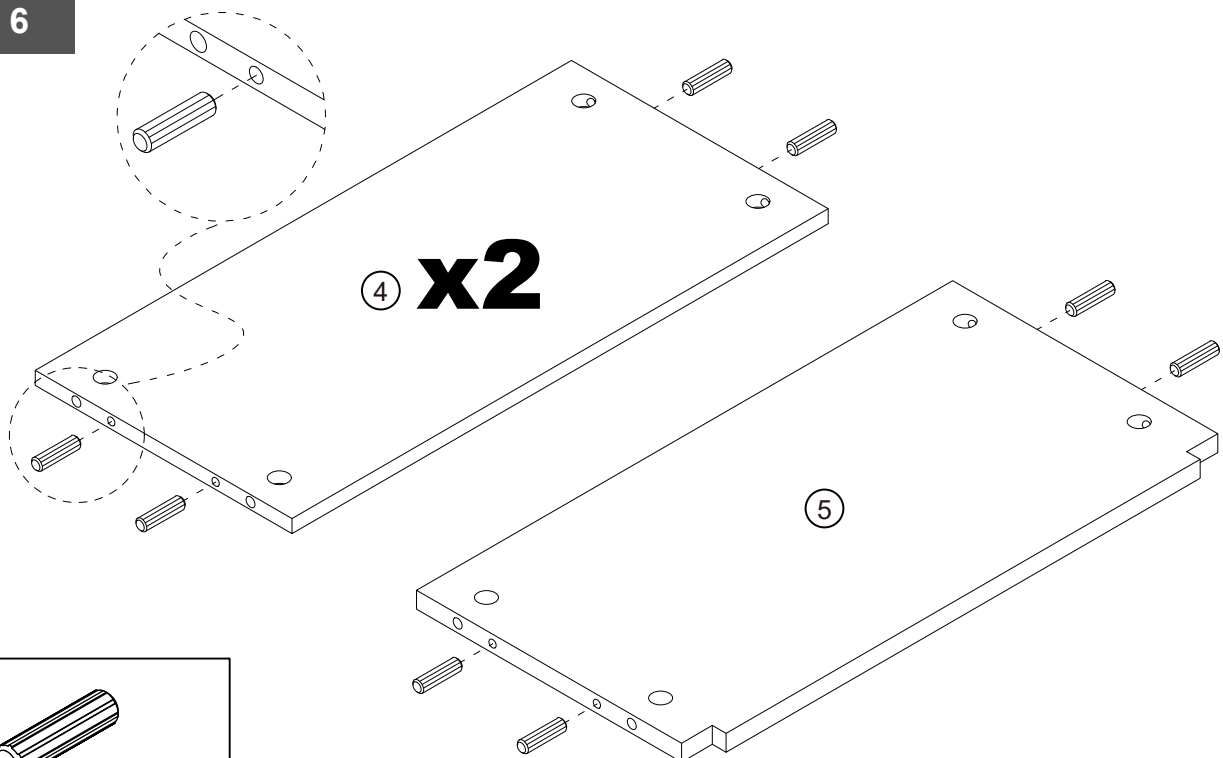
3.5*12mm Screw x 4

01

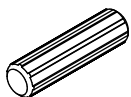


Runner x 2

Step 6



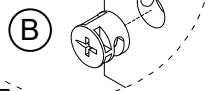
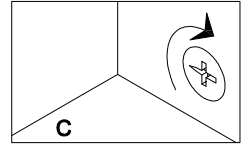
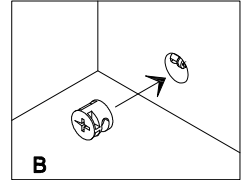
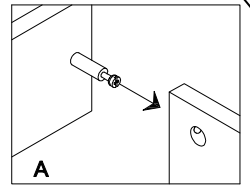
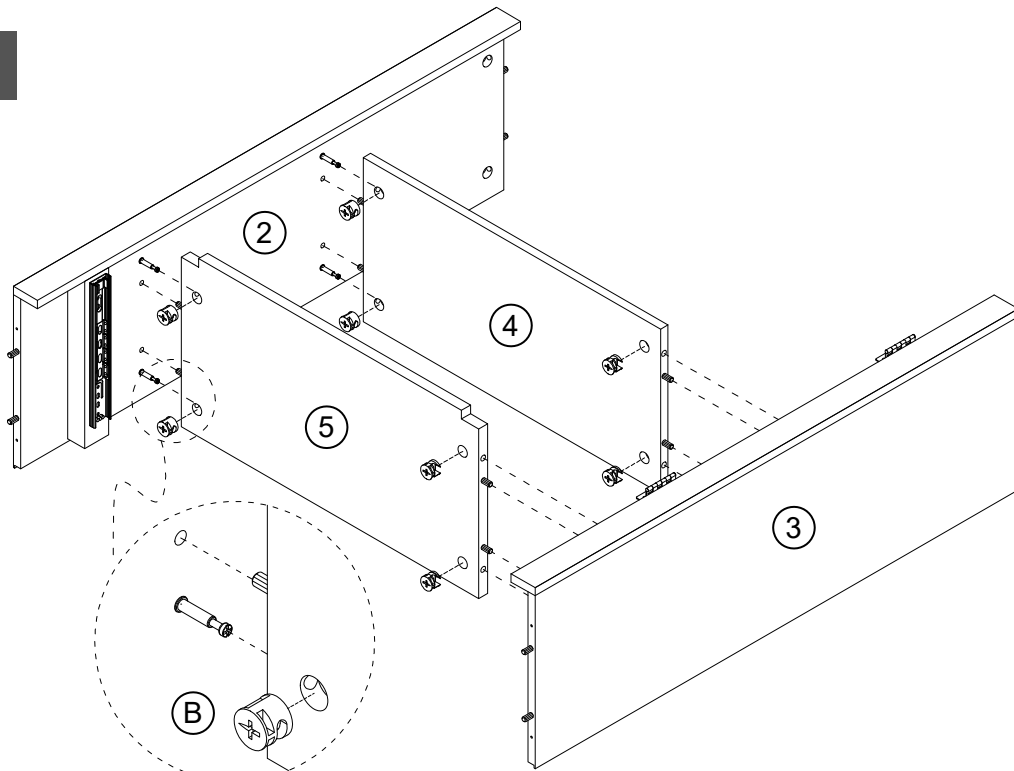
C



6*30mm Dowel x 12

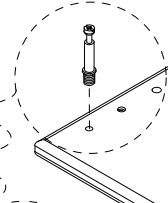
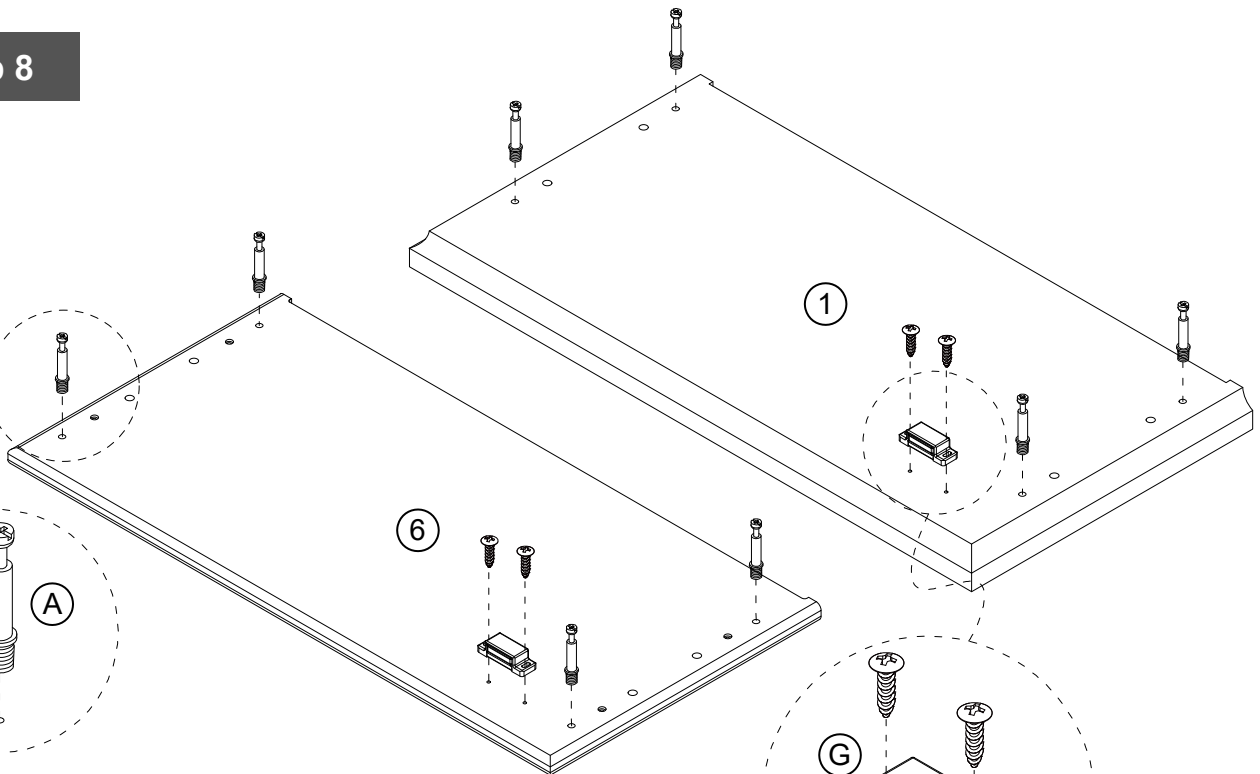
Assembly Instructions

Step 7

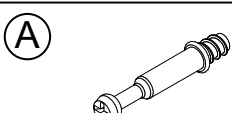
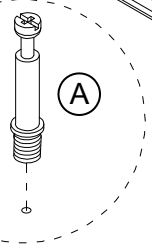


Cam Lock x 8

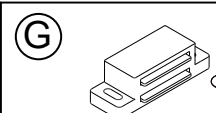
Step 8



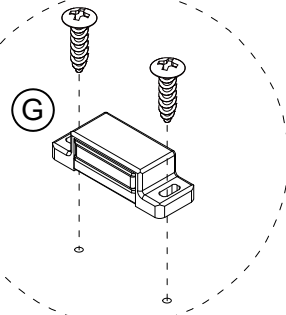
A



Cam Bolt x 8

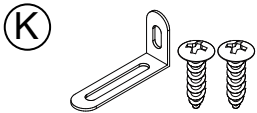
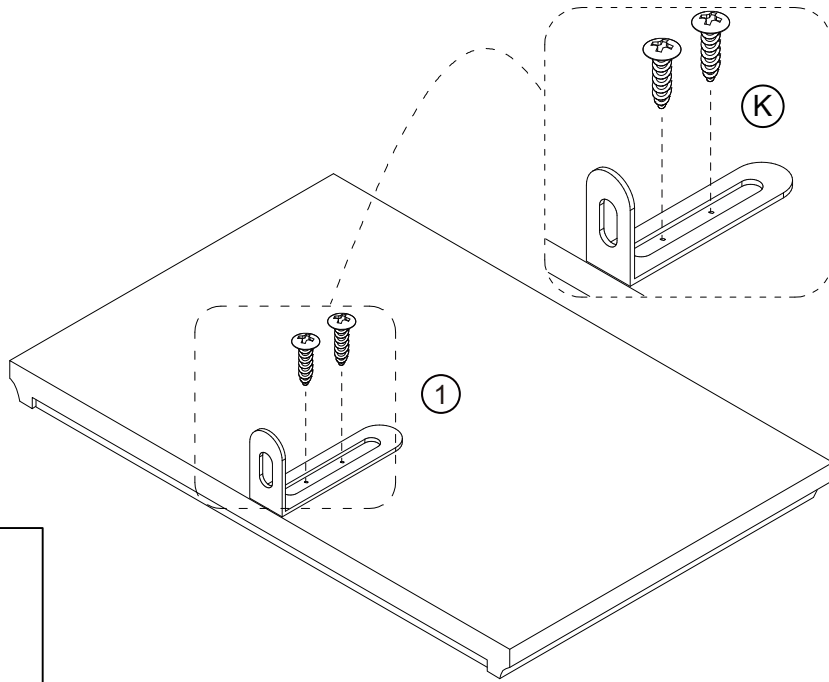


Magnetism Mass x 2

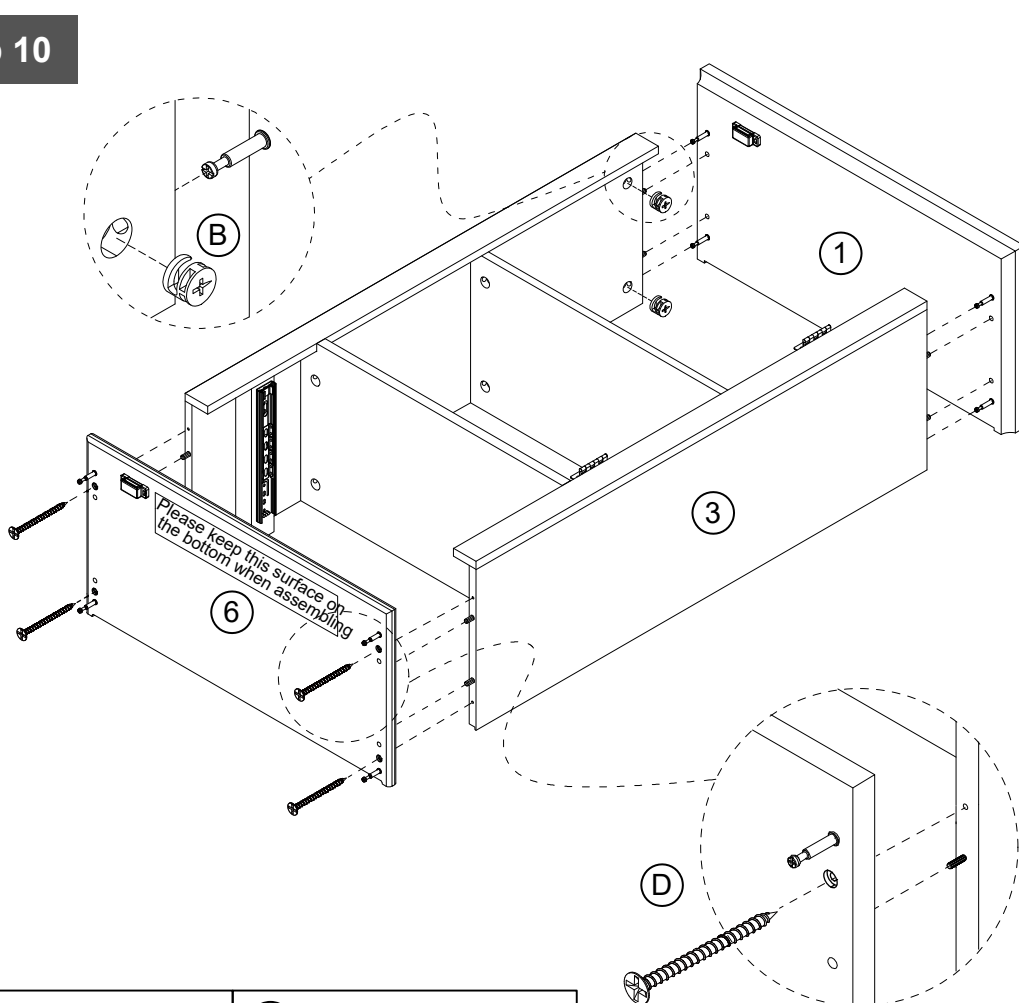


Assembly Instructions

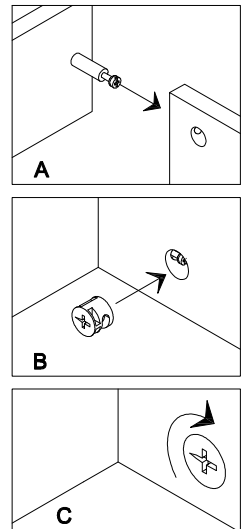
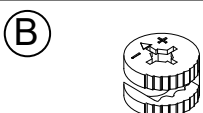
Step 9



Step 10

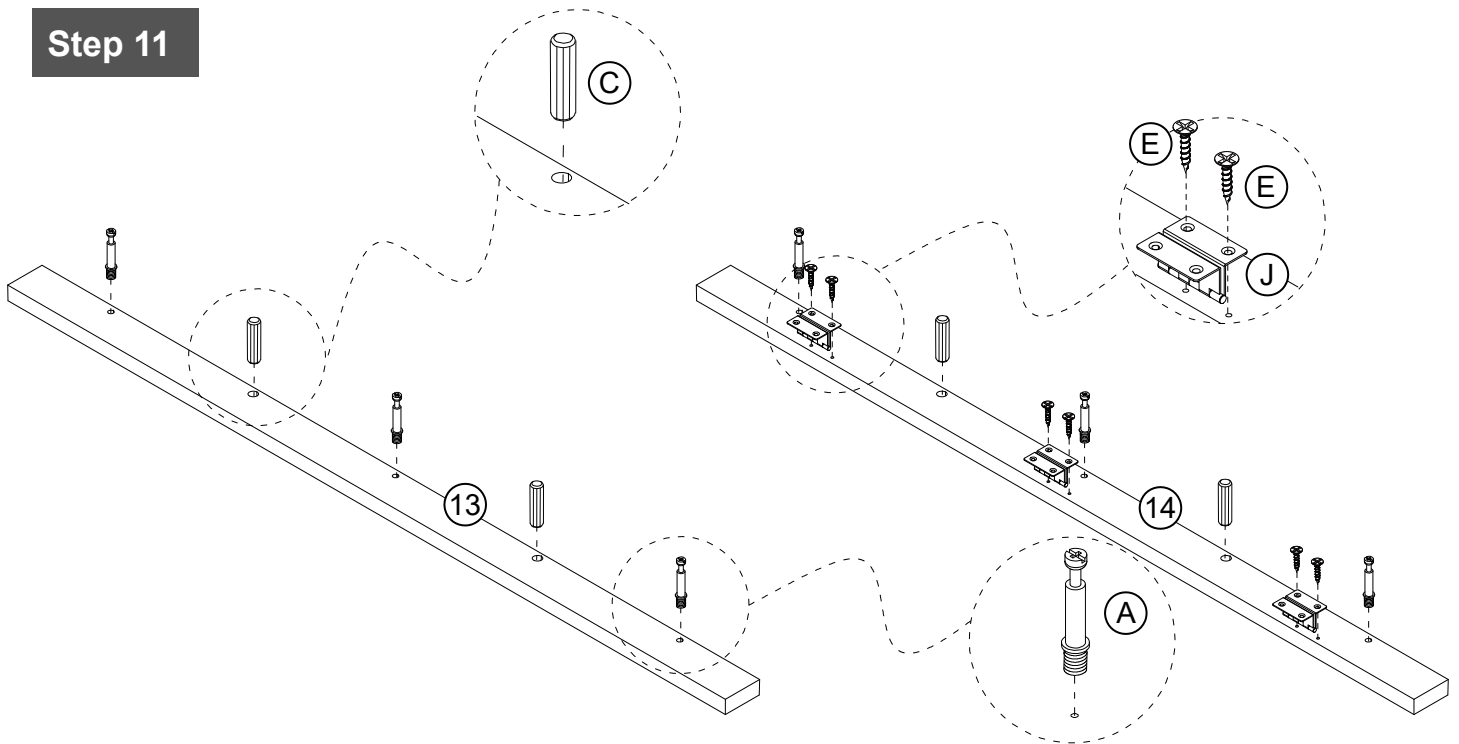


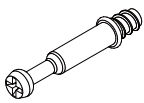
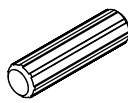
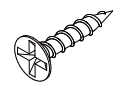
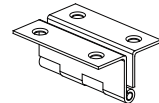
Please keep this surface on the bottom when assembling



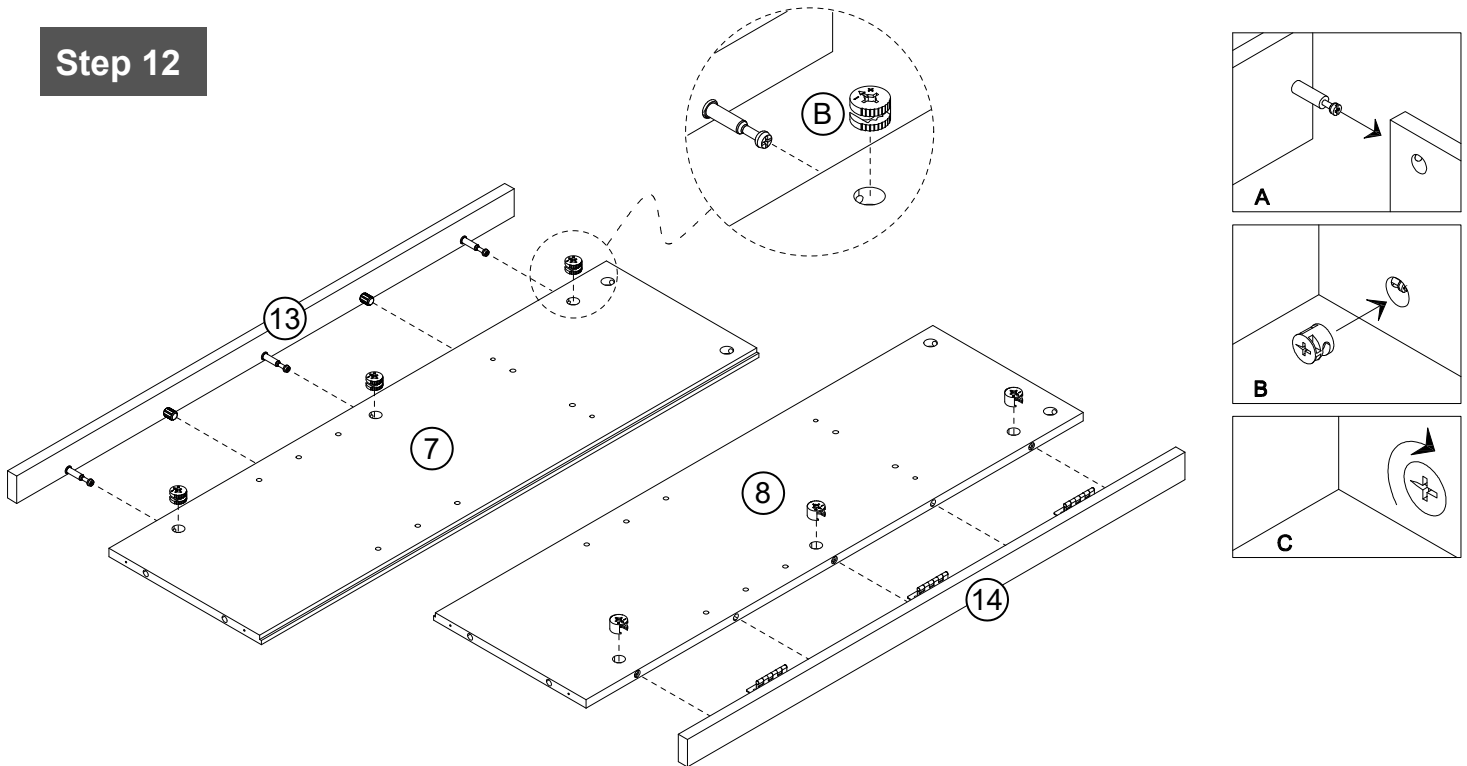
Assembly Instructions

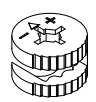
Step 11



| | | | |
|---|---|---|--|
| <p>(A)</p>  <p>Cam Bolt x 6</p> | <p>(C)</p>  <p>6*30mm Dowel x 4</p> | <p>(E)</p>  <p>3.5*12mm Screw x 6</p> | <p>(J)</p>  <p>Hinge x 3</p> |
|---|---|---|--|

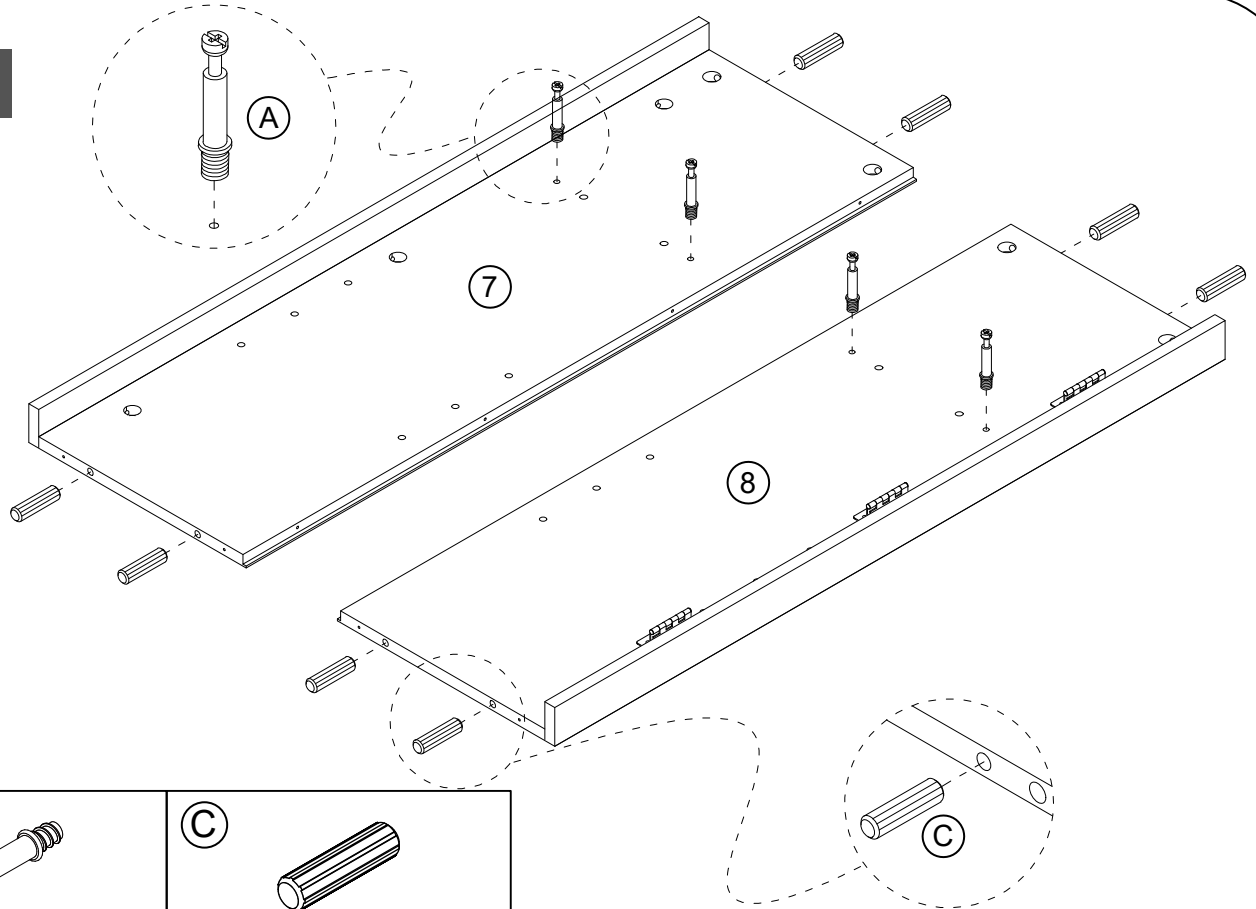
Step 12



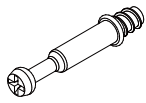
| |
|---|
| <p>(B)</p>  <p>Cam Lock x 6</p> |
|---|

Assembly Instructions

Step 13

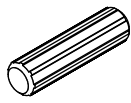


A



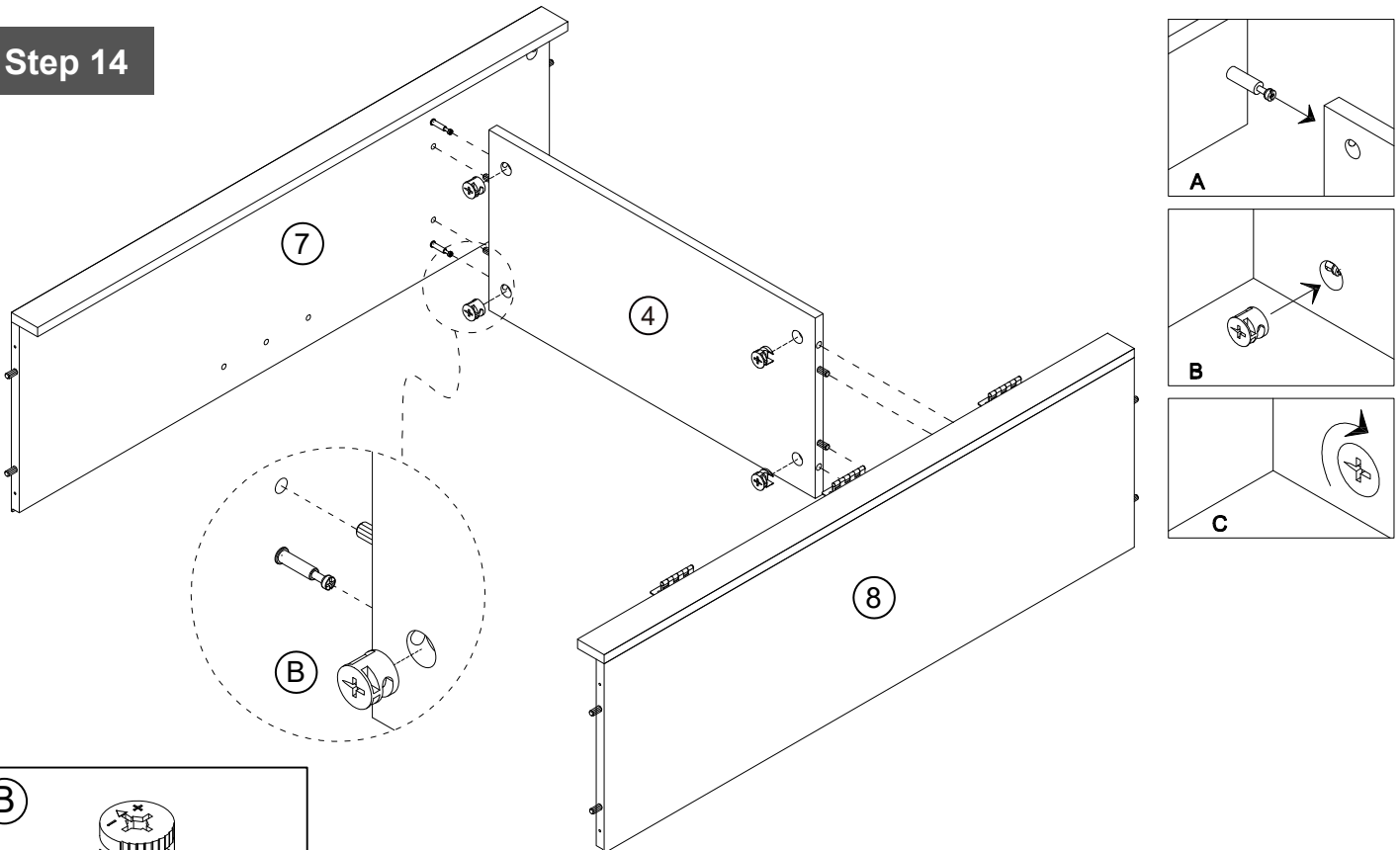
Cam Bolt x 4

C



6*30mm Dowel x 8

Step 14



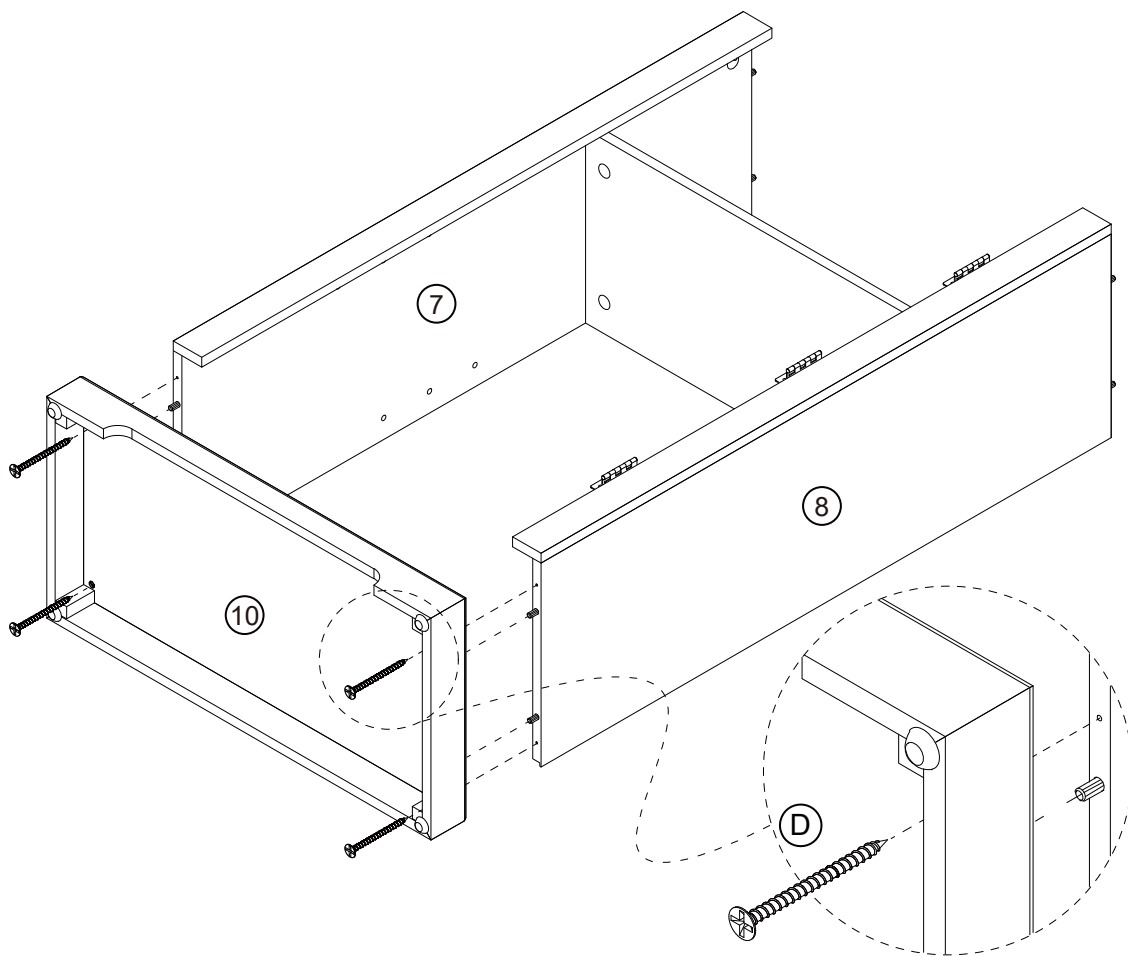
B



Cam Lock x 4

Assembly Instructions

Step 15



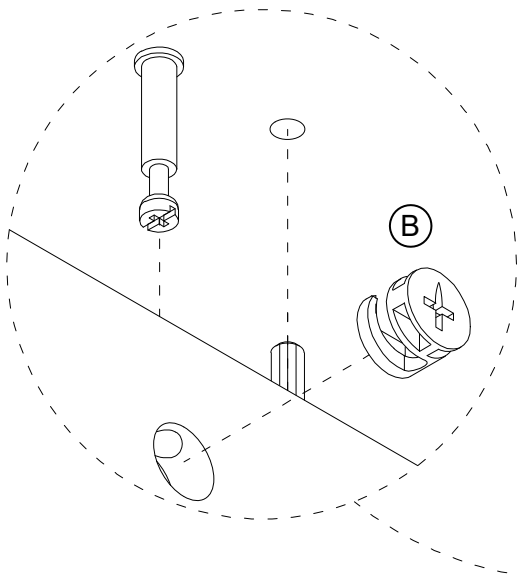
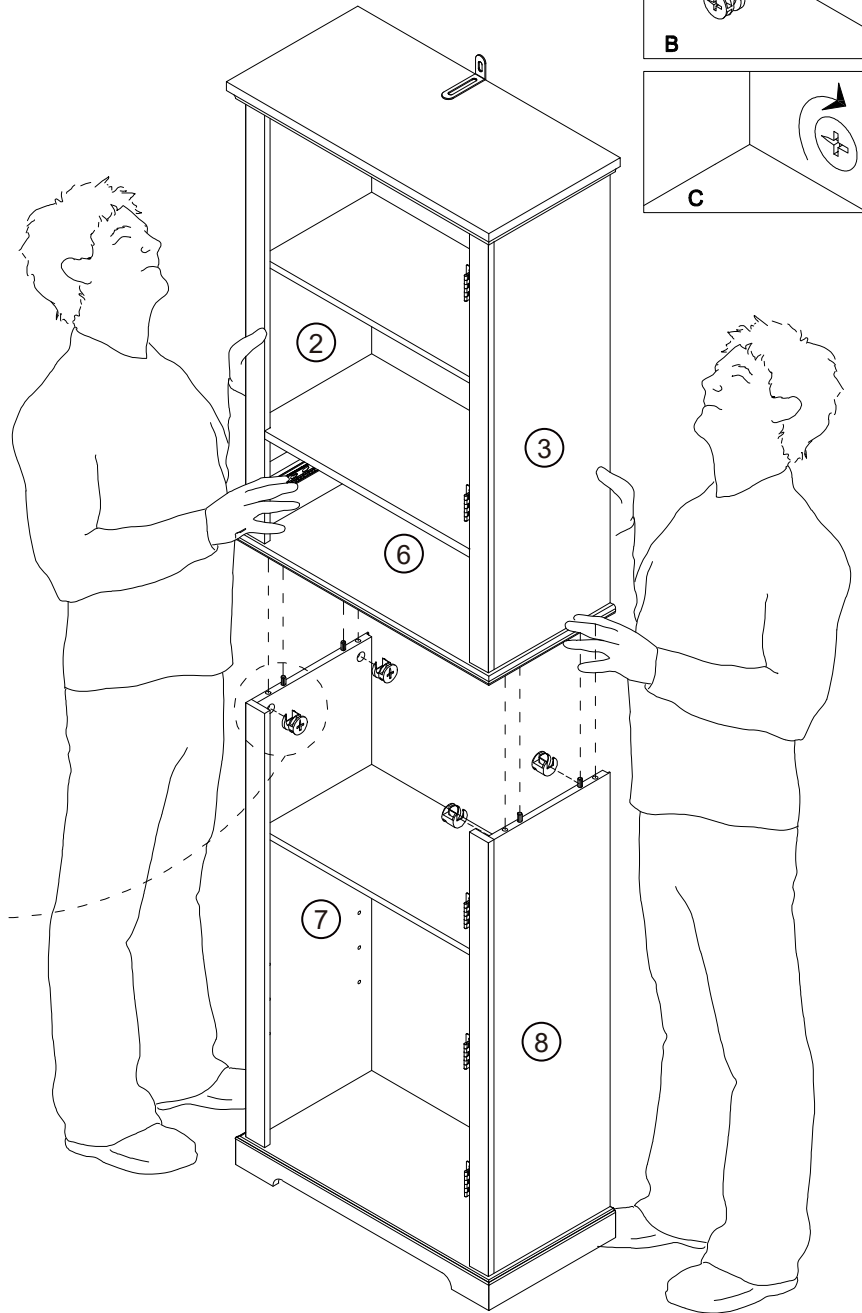
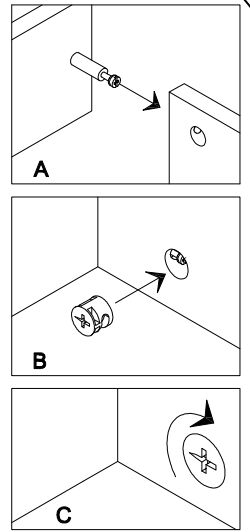
D



4*35mm Screw x 4

Assembly Instructions

Step 16



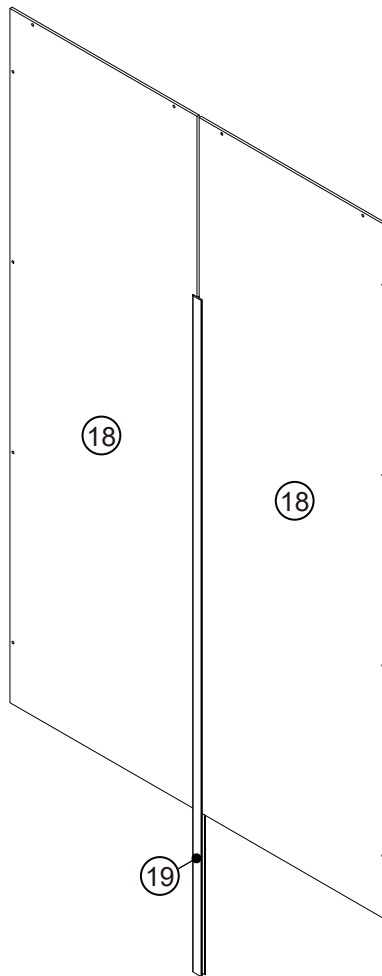
B



Cam Lock x 4

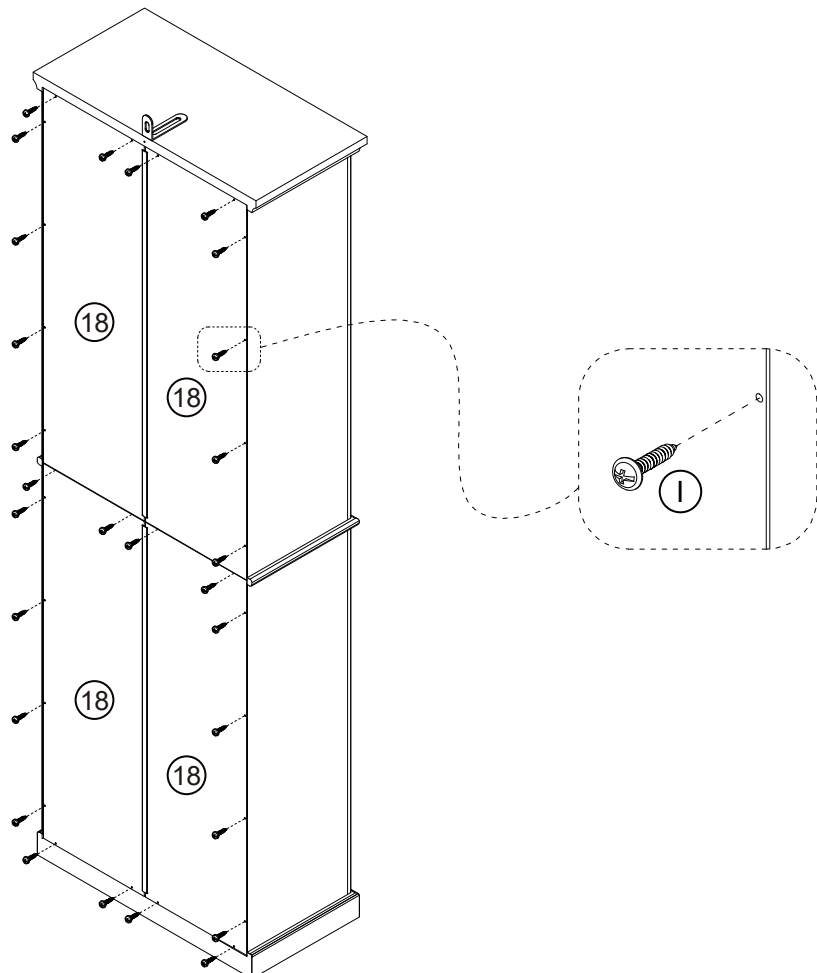
Assembly Instructions

Step 17

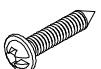


x2

Step 18



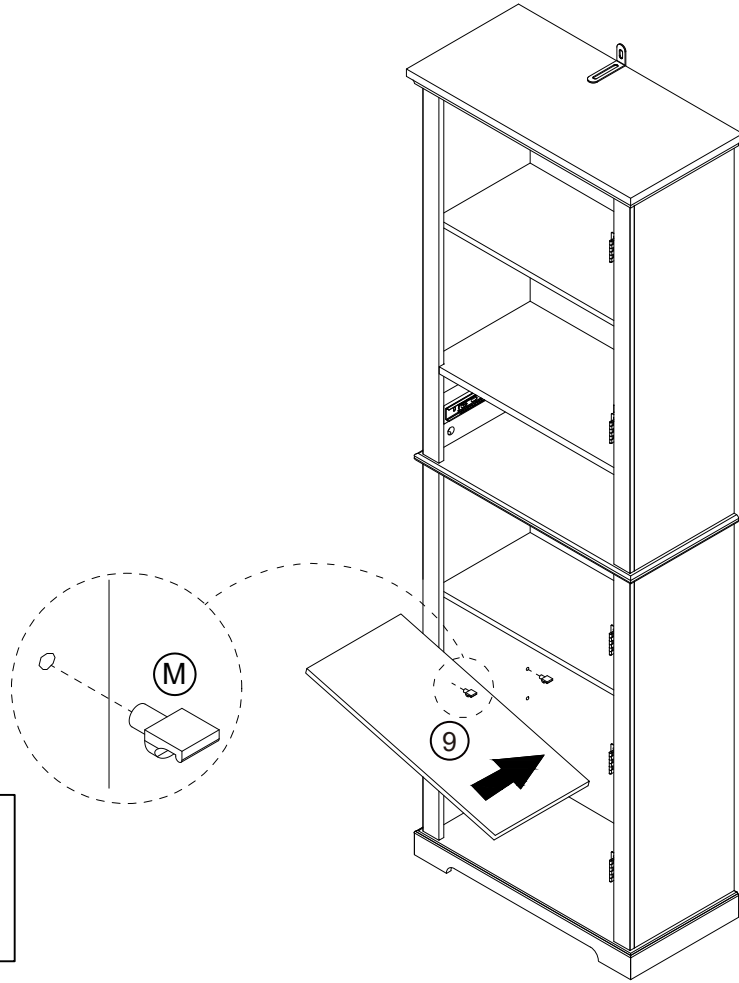
1



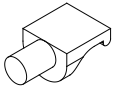
2.5*12mm Screw x 28

Assembly Instructions

Step 19

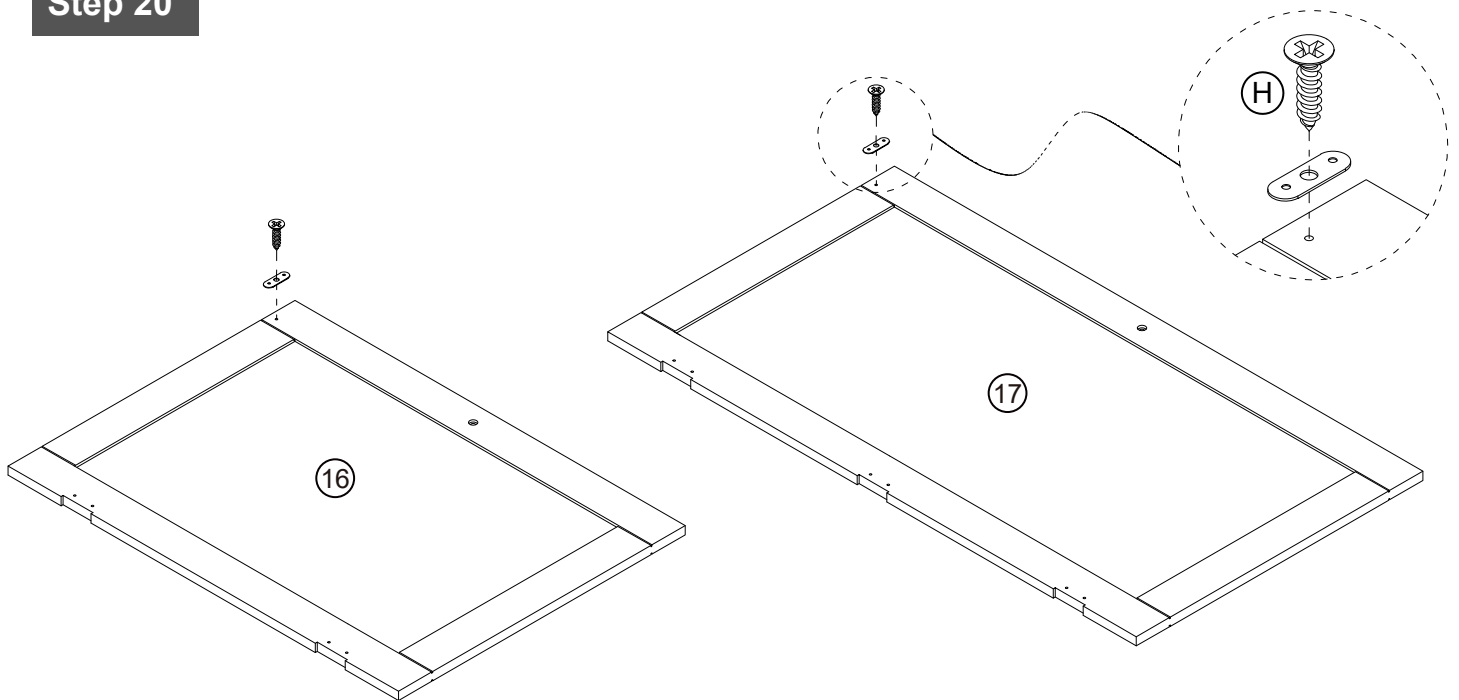


(M)

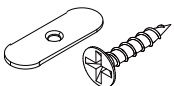


Shelf Bracket x 4

Step 20



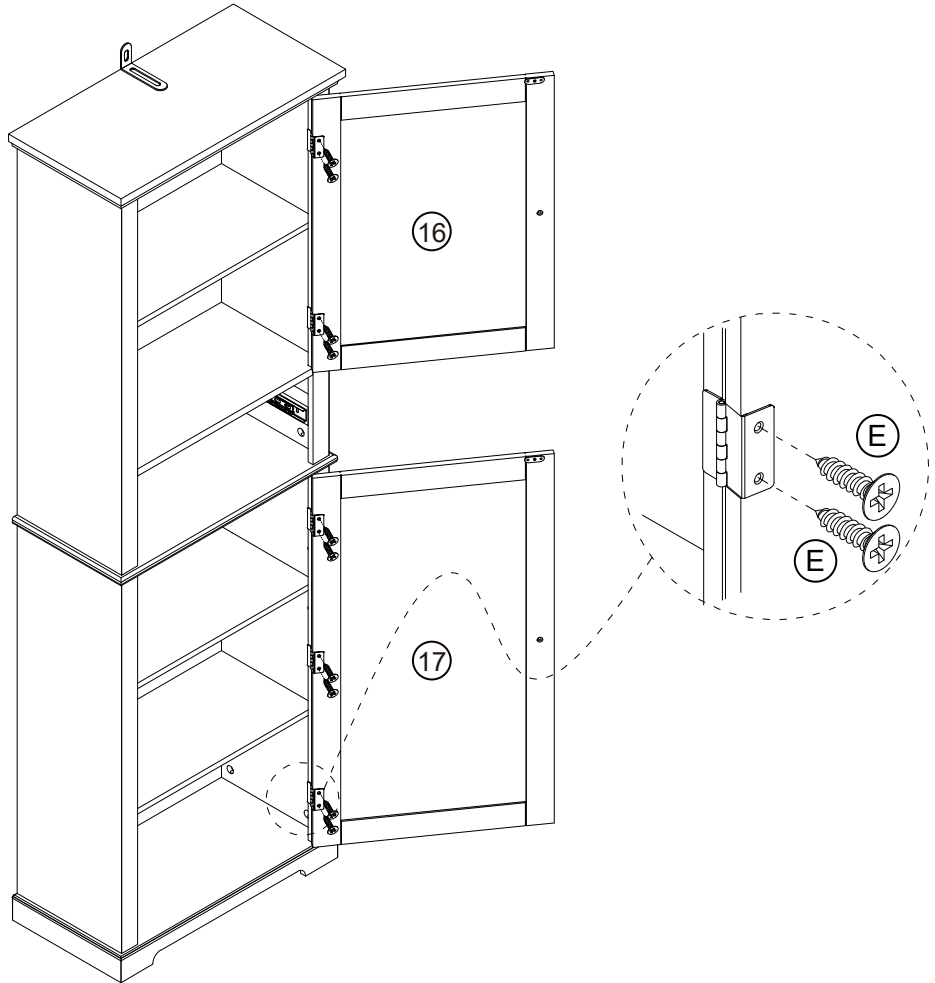
(H)



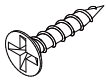
Metal Plate x 2

Assembly Instructions

Step 21

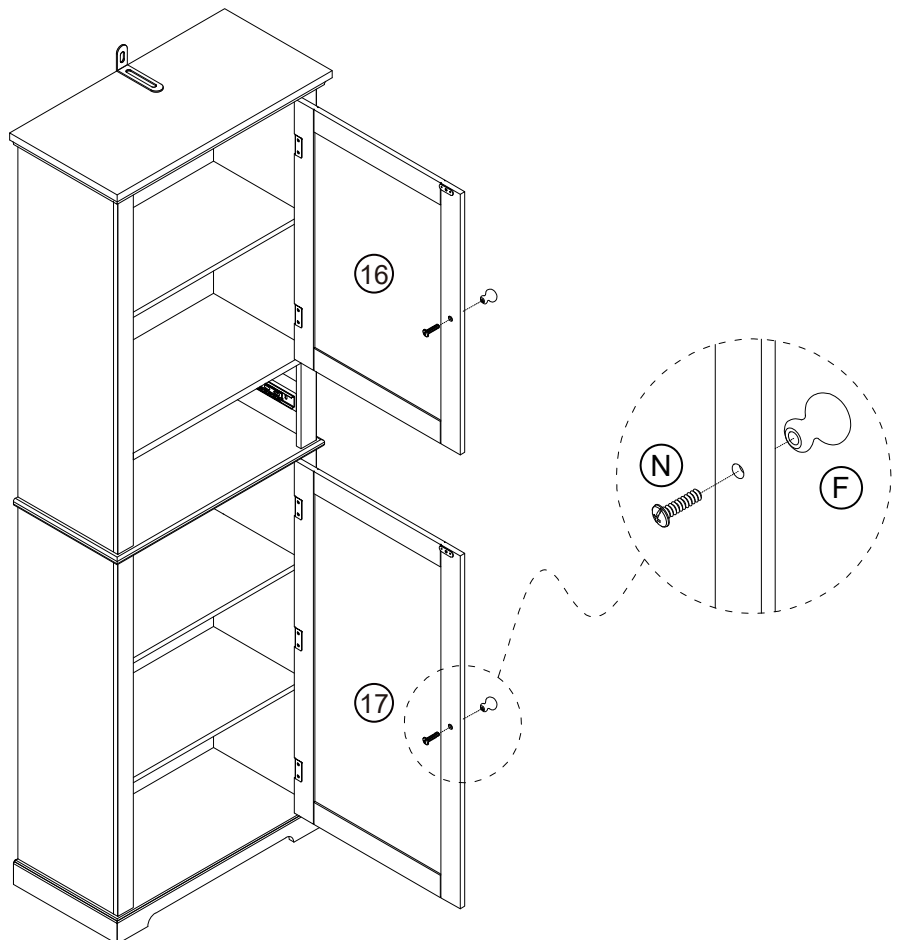


(E)



3.5*12mm Screw x 10

Step 22

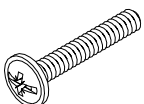


(F)



Handle x 2

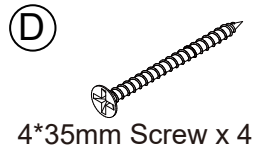
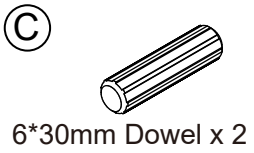
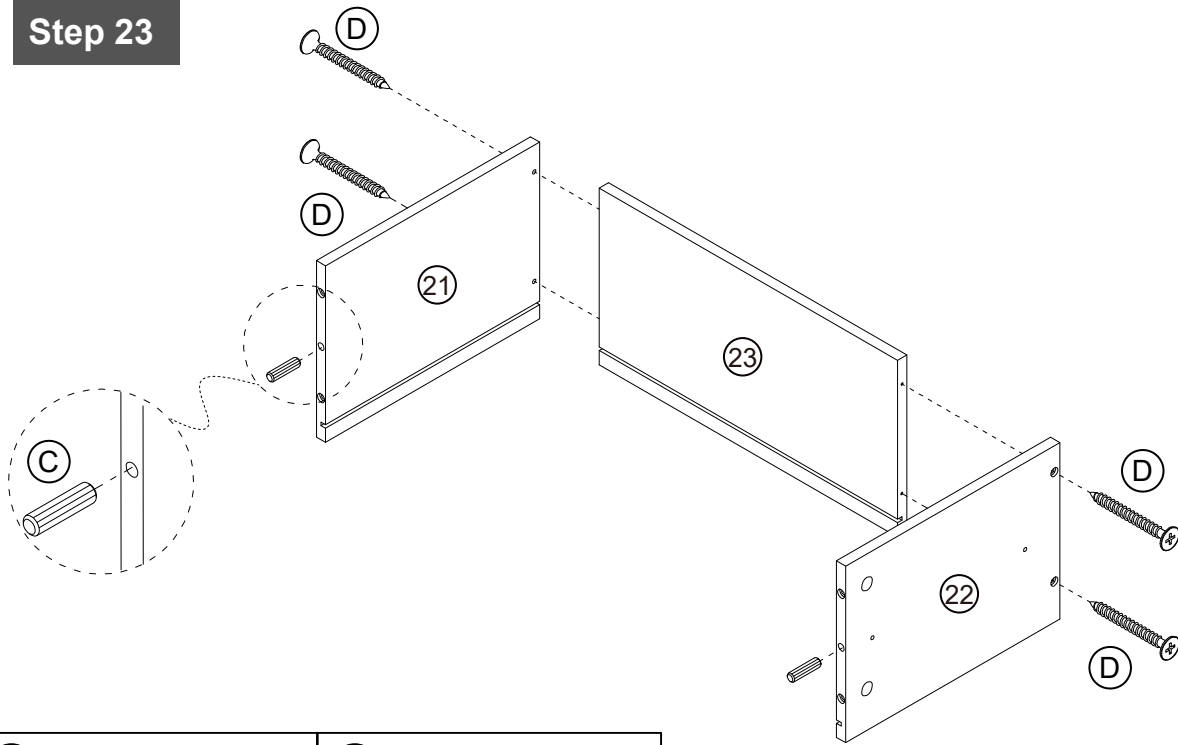
(N)



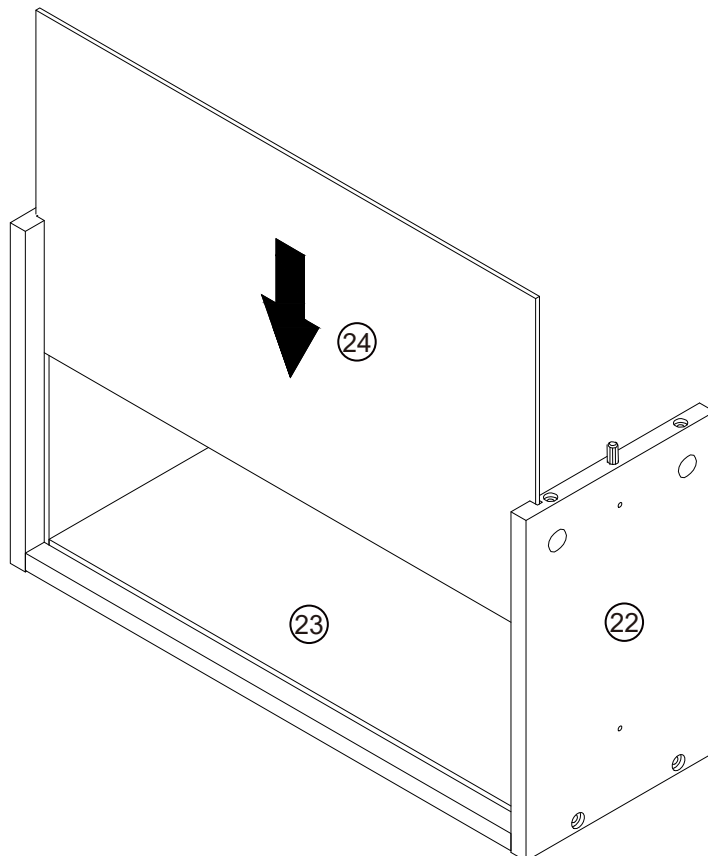
M4*16mm Screw x 2

Assembly Instructions

Step 23

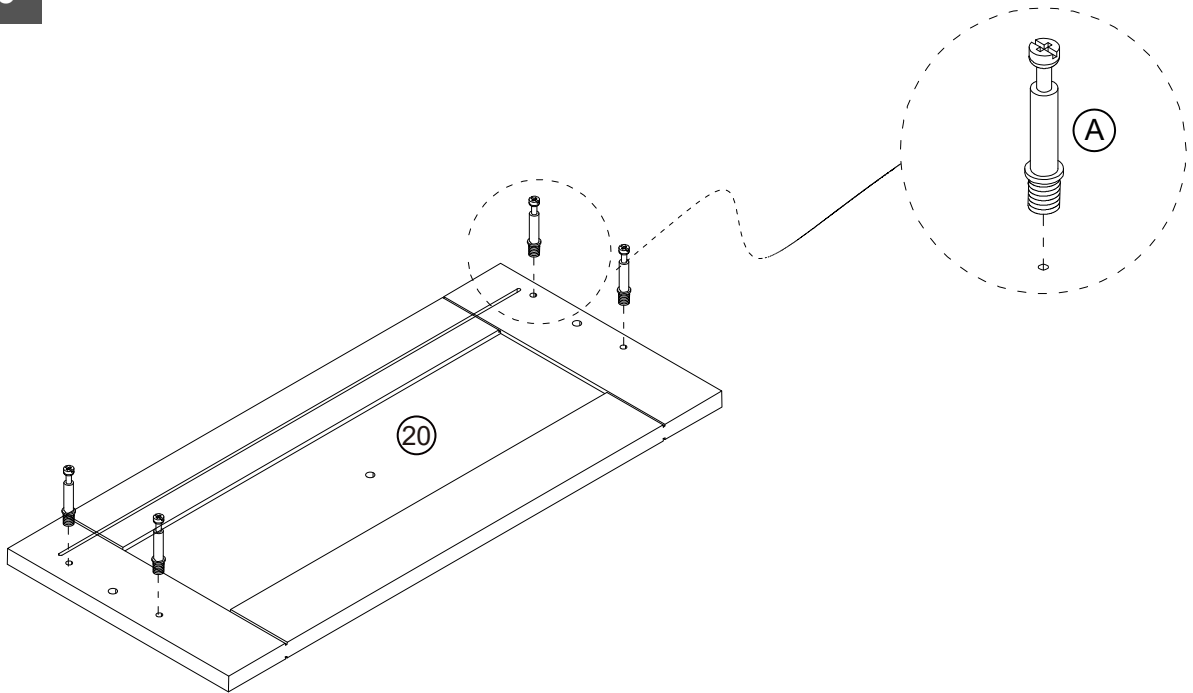


Step 24

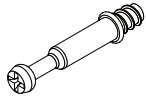


Assembly Instructions

Step 25

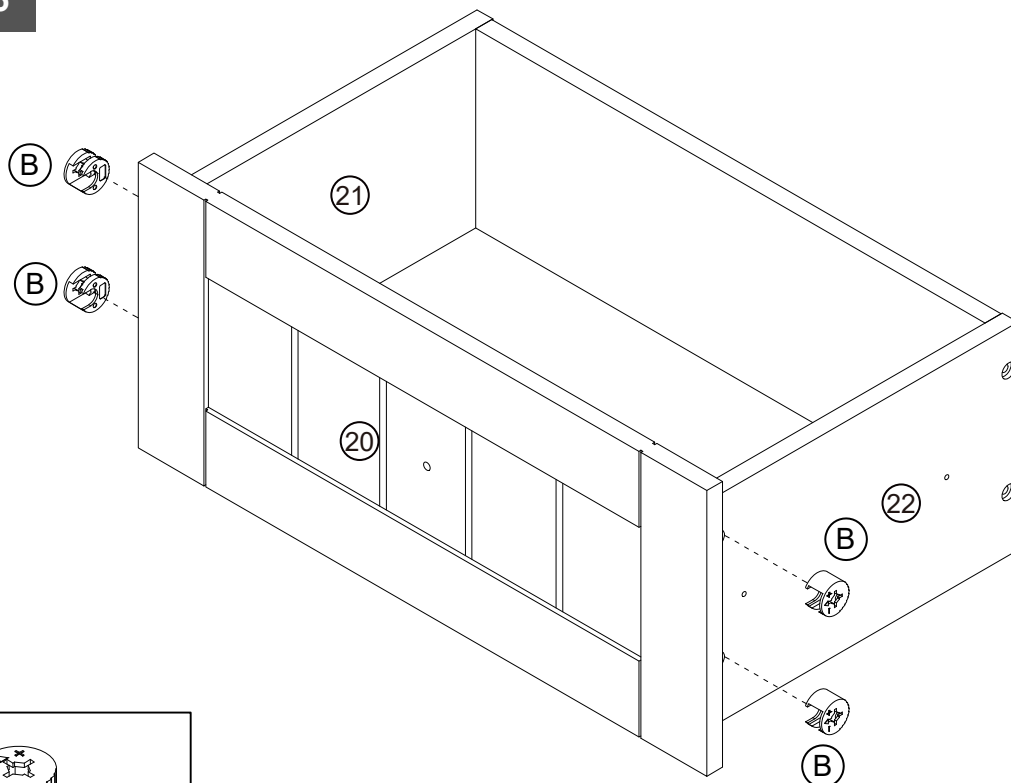


(A)



Cam Bolt x 4

Step 26



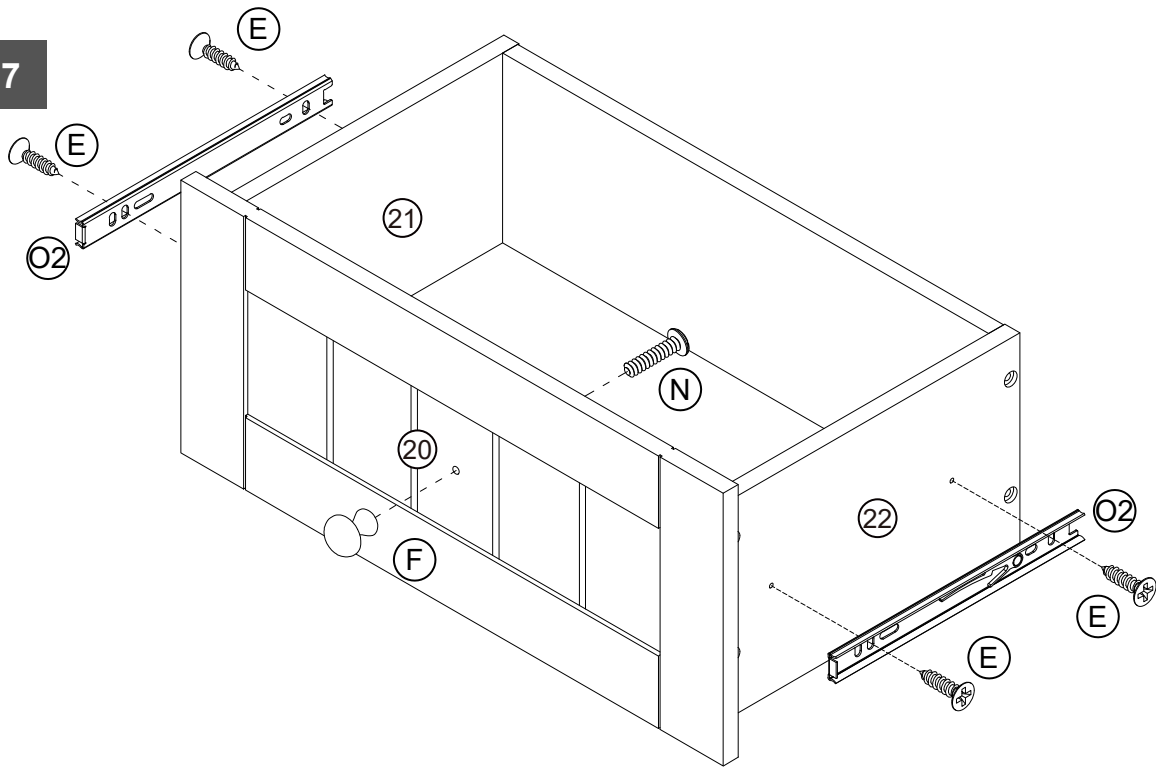
(B)



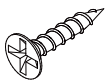
Cam Lock x 4

Assembly Instructions

Step 27



E



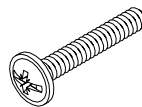
3.5*12mm Screw x 4

F



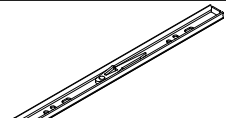
Handle x 1

N



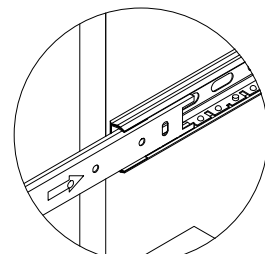
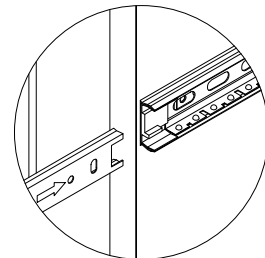
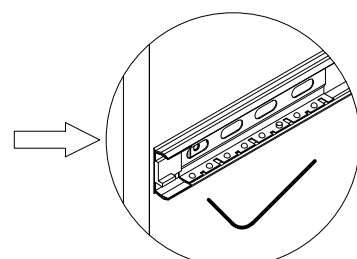
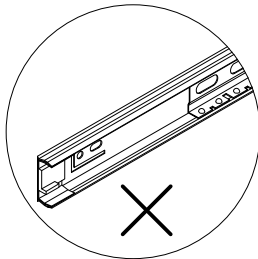
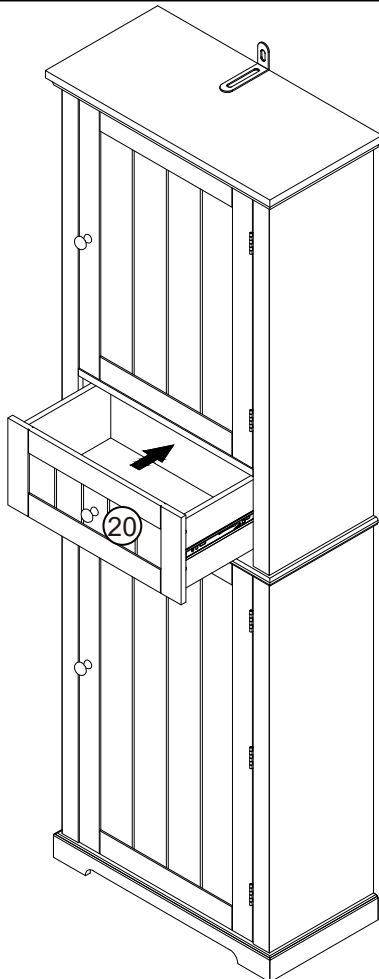
M4*16mm Screw x 1

O2



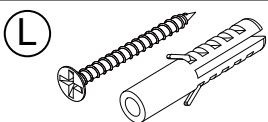
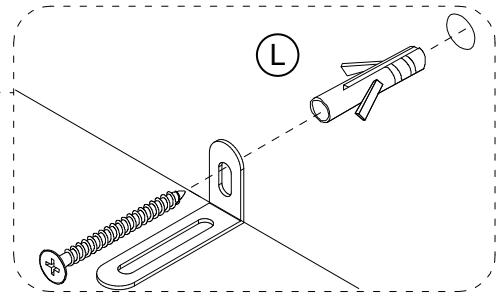
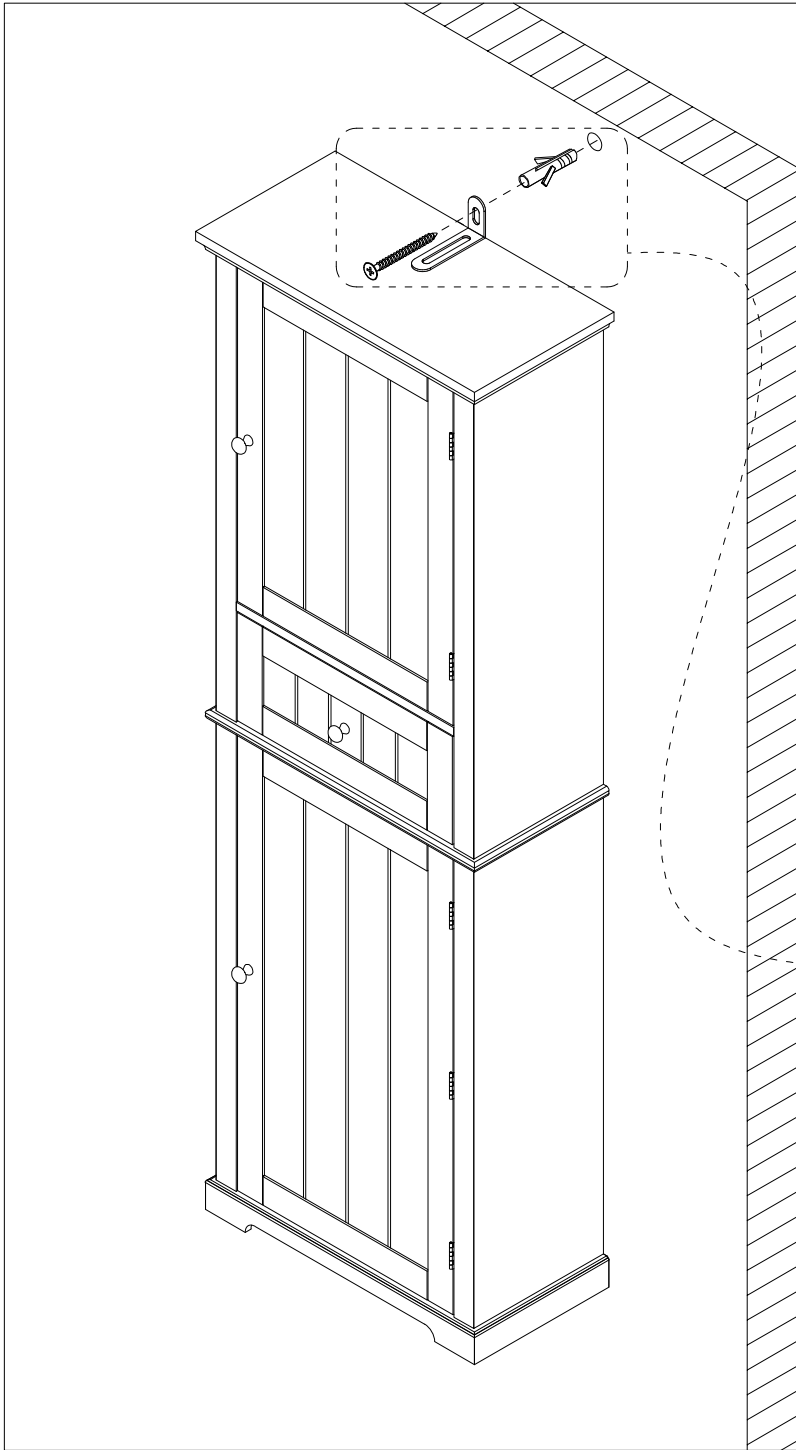
Runner x 2

Step 28



Assembly Instructions

Step 29



Wall Plug x 1

Assembly Instructions

Step 30

