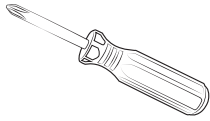


USER MANUAL

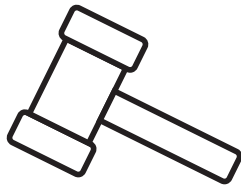


SHOE CABINET

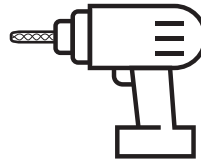
TOOLS REQUIRED



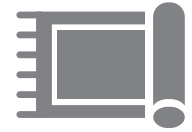
Phillips screwdriver
(Not included)



Hammer
(Not included)



Drill
(Not included)



Protective blanket
(Not included)



ATTENTION

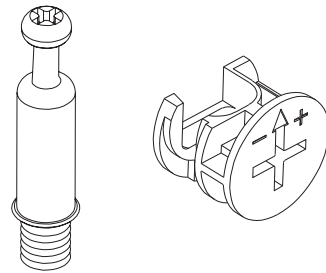
Keep children and pets away while assembling.



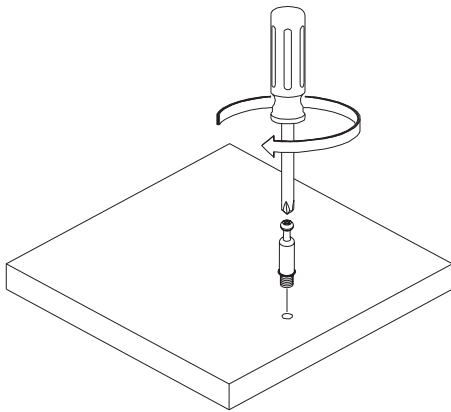
How to use cam locks

CAM LOCK FASTENING SYSTEM

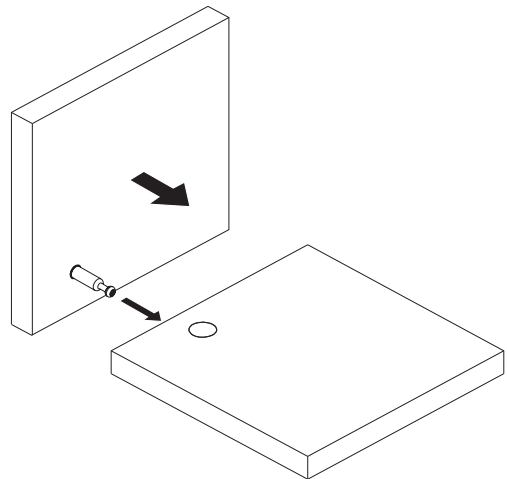
This Cam Lock Fastening System will be used throughout the assembly process.



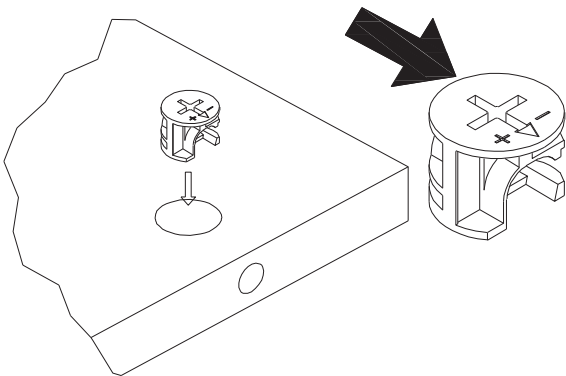
1



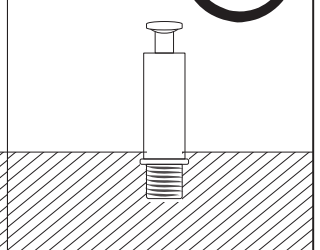
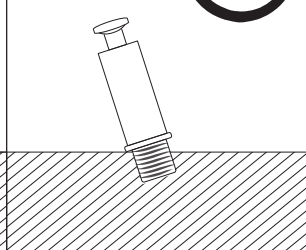
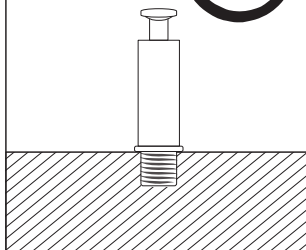
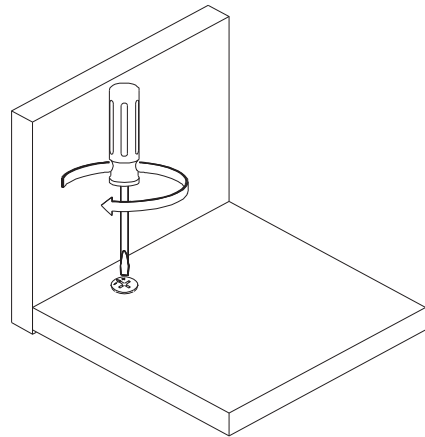
2



3



4



INTRODUCTION

Thank you for purchasing our products. Committed to providing customers with the best quality products and service has always been our lifelong goal. Before using the product, please read this instruction manual carefully to ensure correct use. Keep the instruction manual in a place where the user can find it at any time.

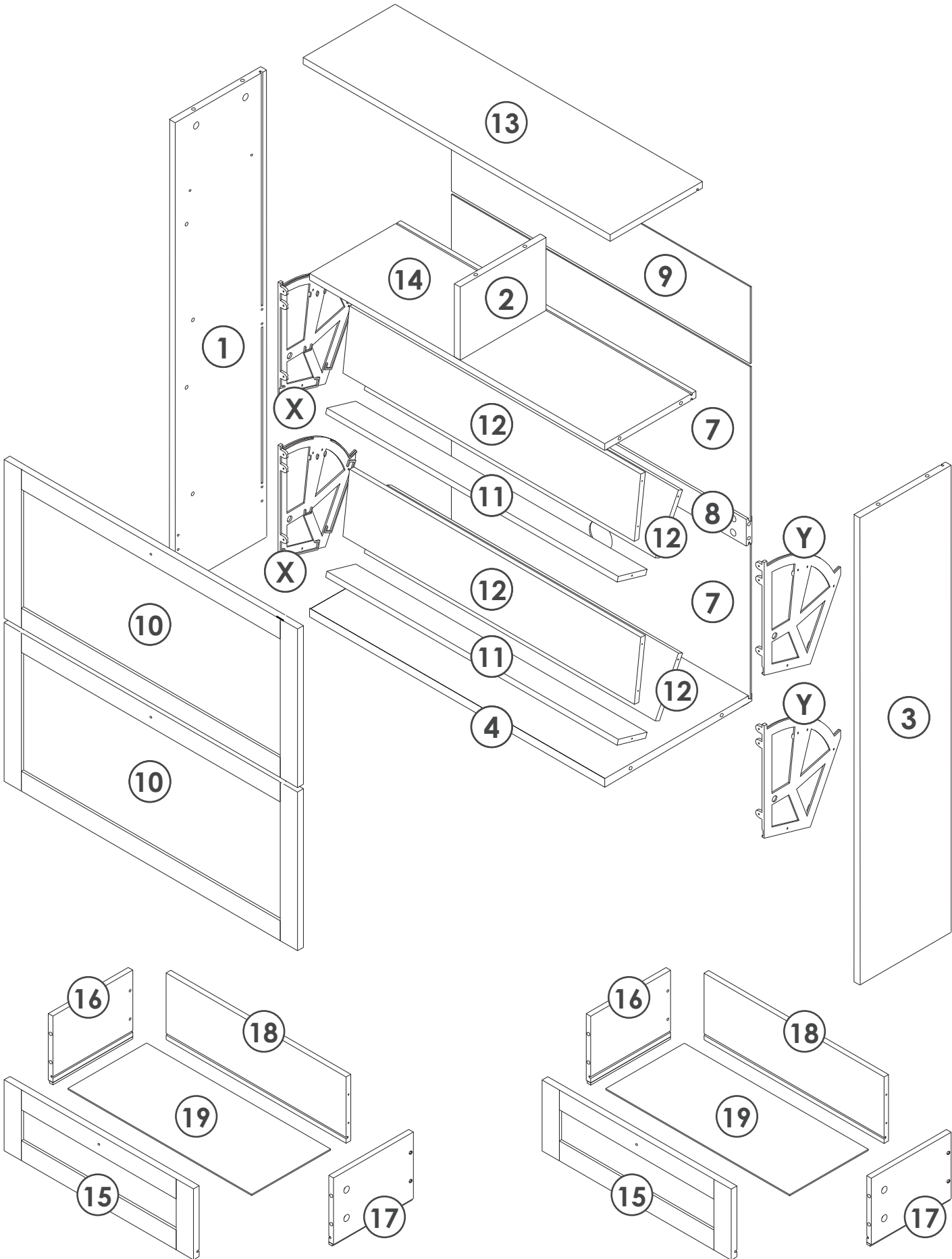
PRECAUTIONS

1. There are many components and accessories in the package. Each component and accessory is labeled with a letter or a number, check carefully before using any of them. Keep them away from children to prevent accidents.
2. Please install the product on a clean and soft underlay (such as carpet or cardboard) to avoid scratching or damaging the surface of the product.
3. The main components of the product is relatively heavy. Please pay attention to safety during installation.
4. The product is not stable during installation. Please do not move it randomly before it is completely installed.
5. If you have any questions during installation, please contact the customer service in time.

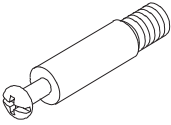

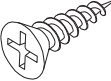
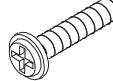

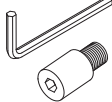




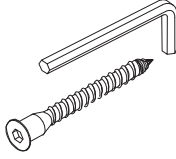
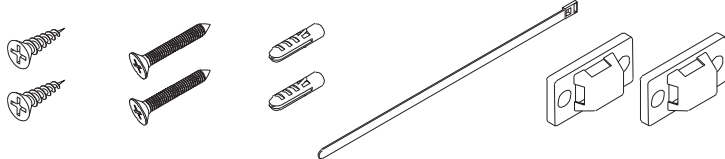
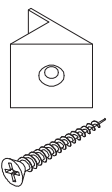
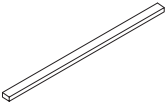
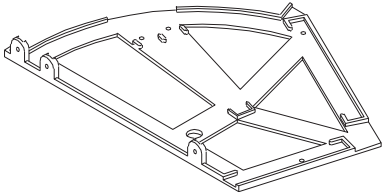
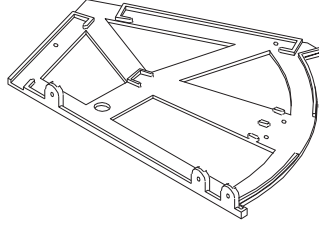
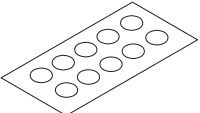
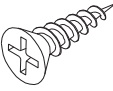
***PLEASE BE SURE TO FOLLOW THE INSTALLATION STEPS IN THE MANUAL TO AVOID UNNECESSARY LOSSES CAUSED BY IMPROPER INSTALLATION.**

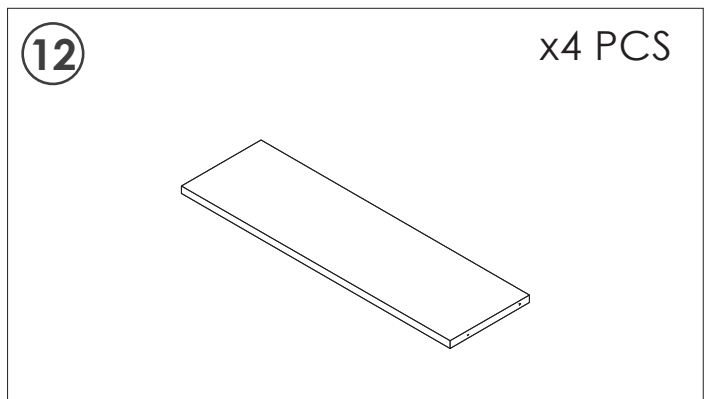
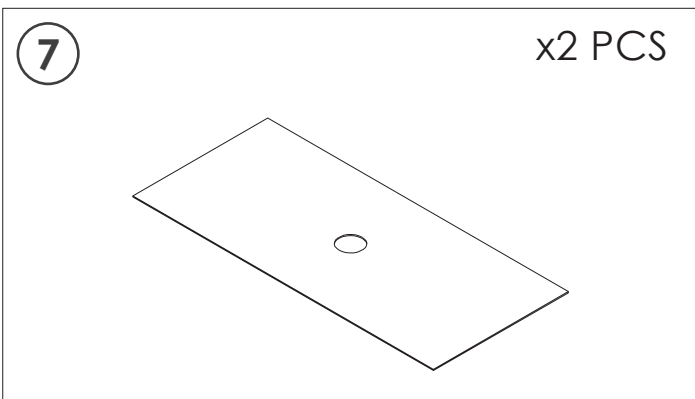
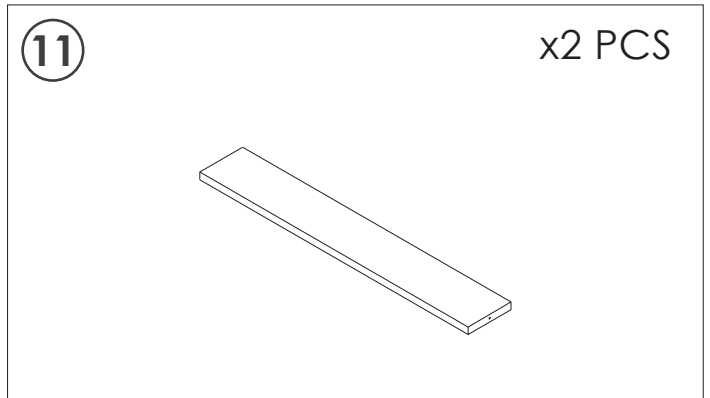
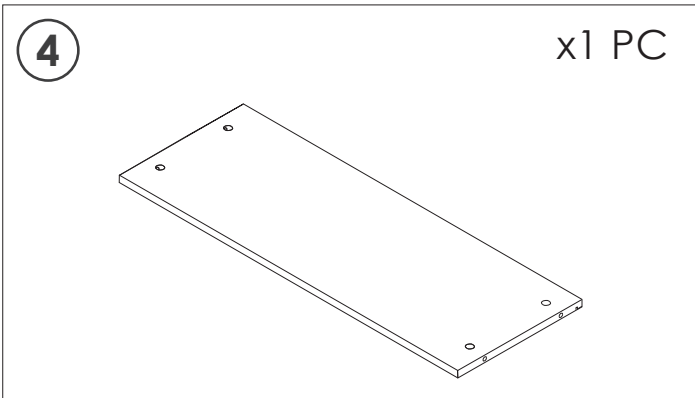
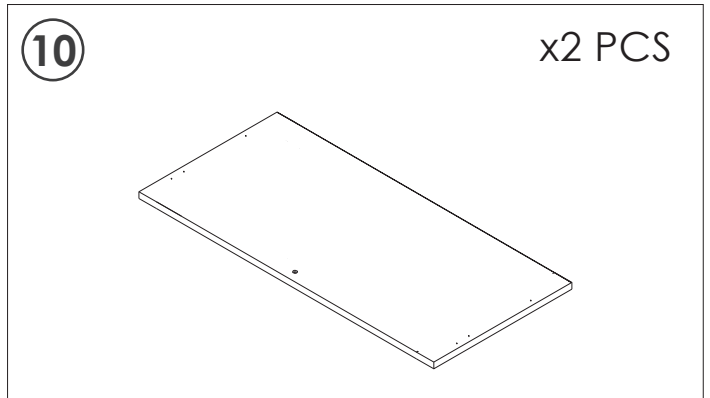
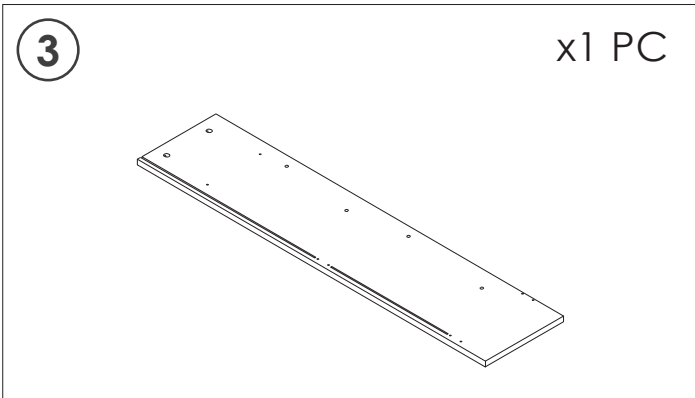
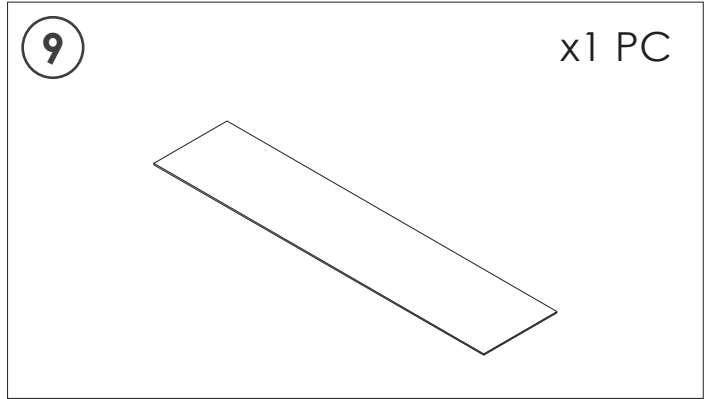
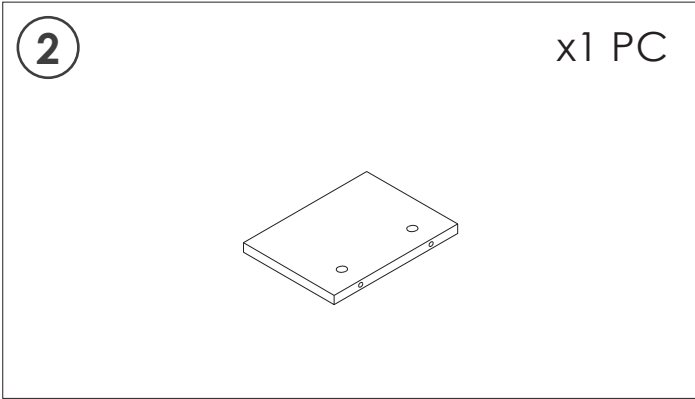
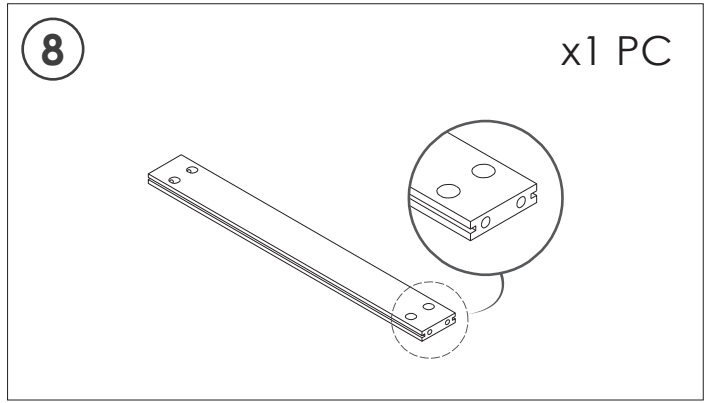
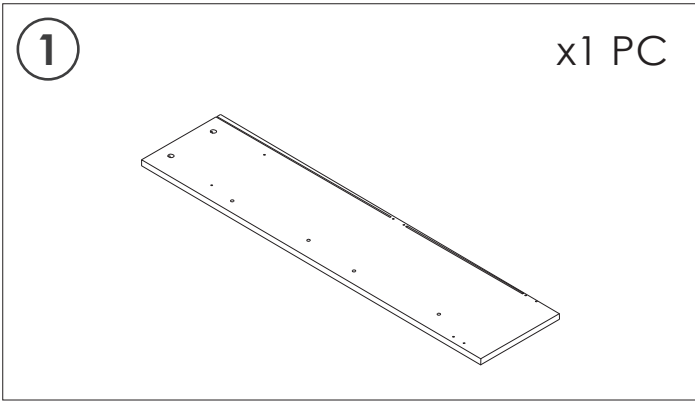
***IF YOU NEED FUTHER ASSIATANCE, PLEASE CONTACT THE CUSTOMER SERVICE ONLINE.**

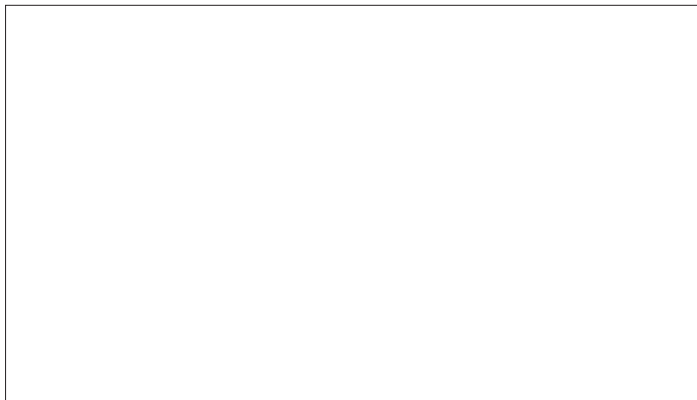
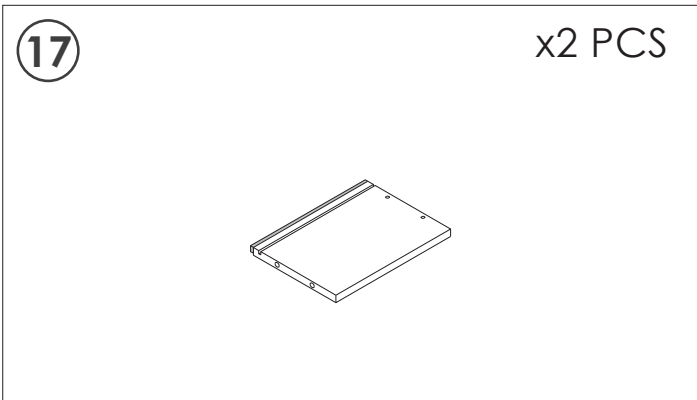
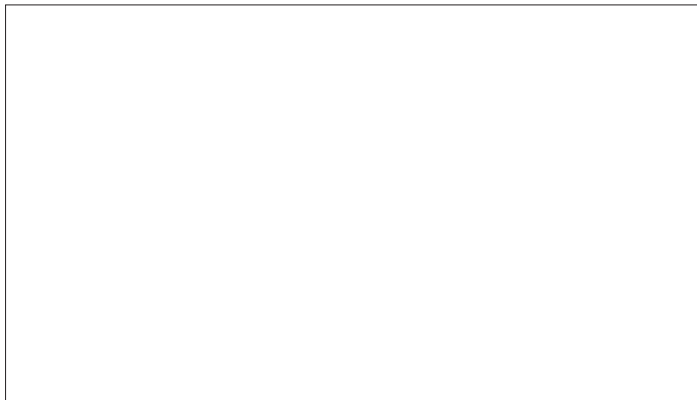
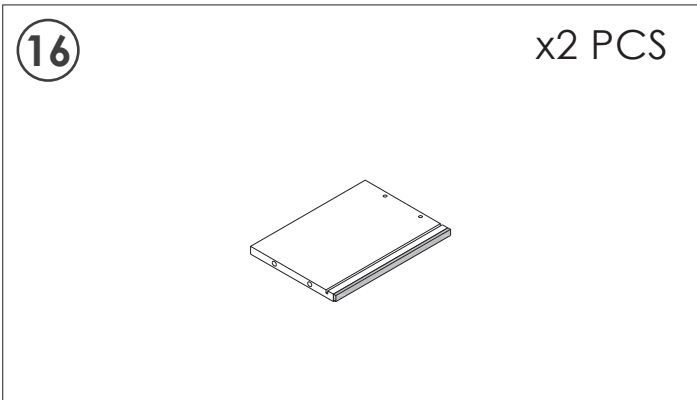
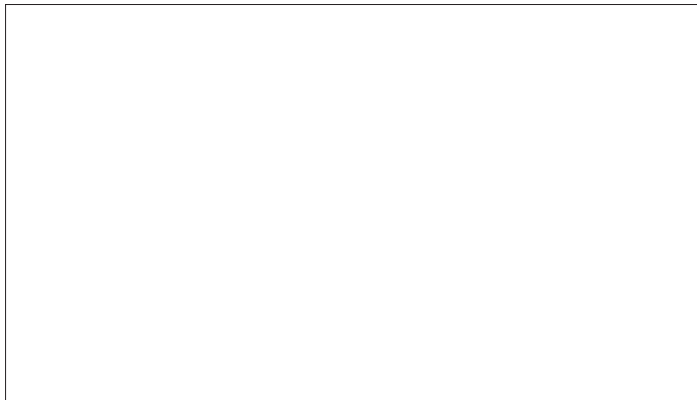
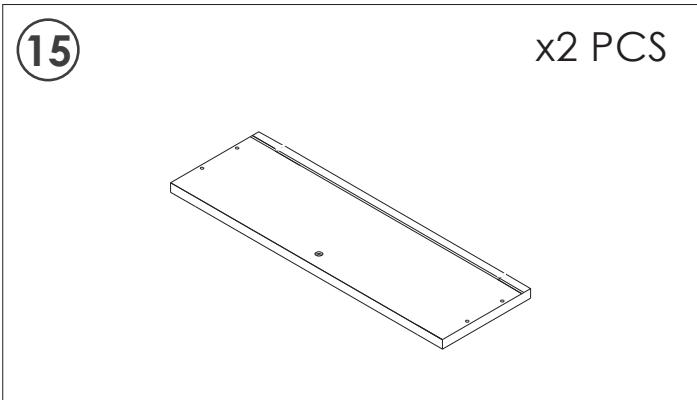
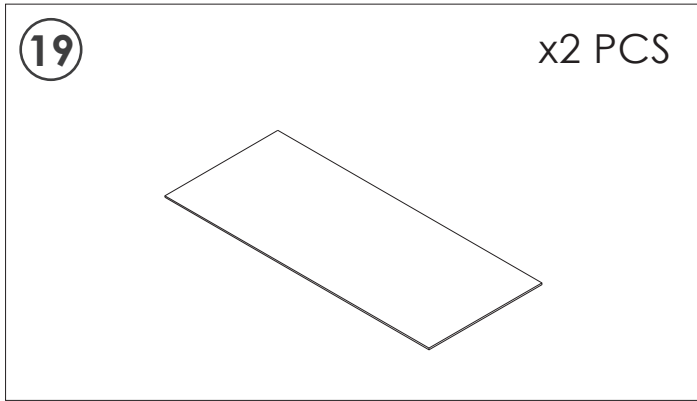
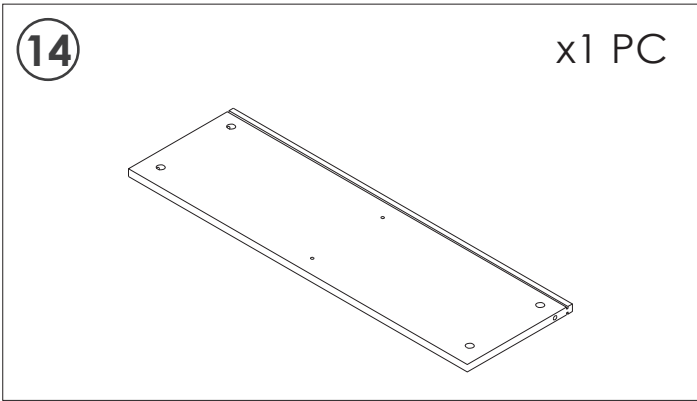
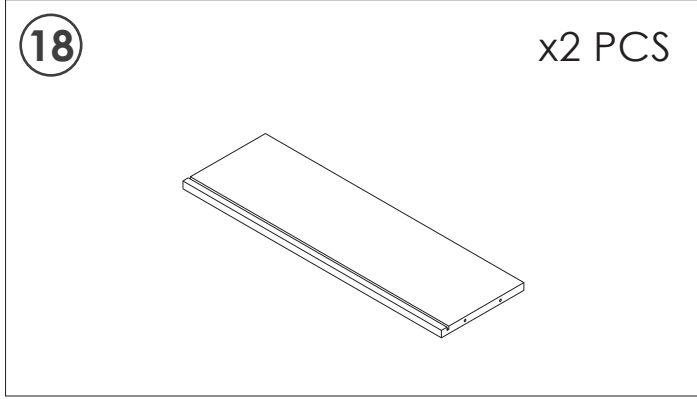
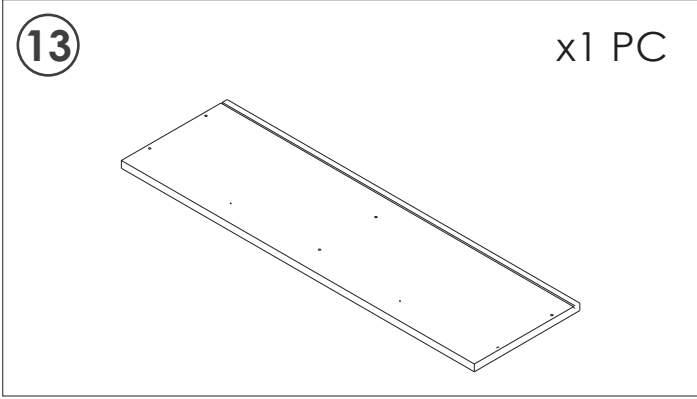
PACKAGE CONTAINS



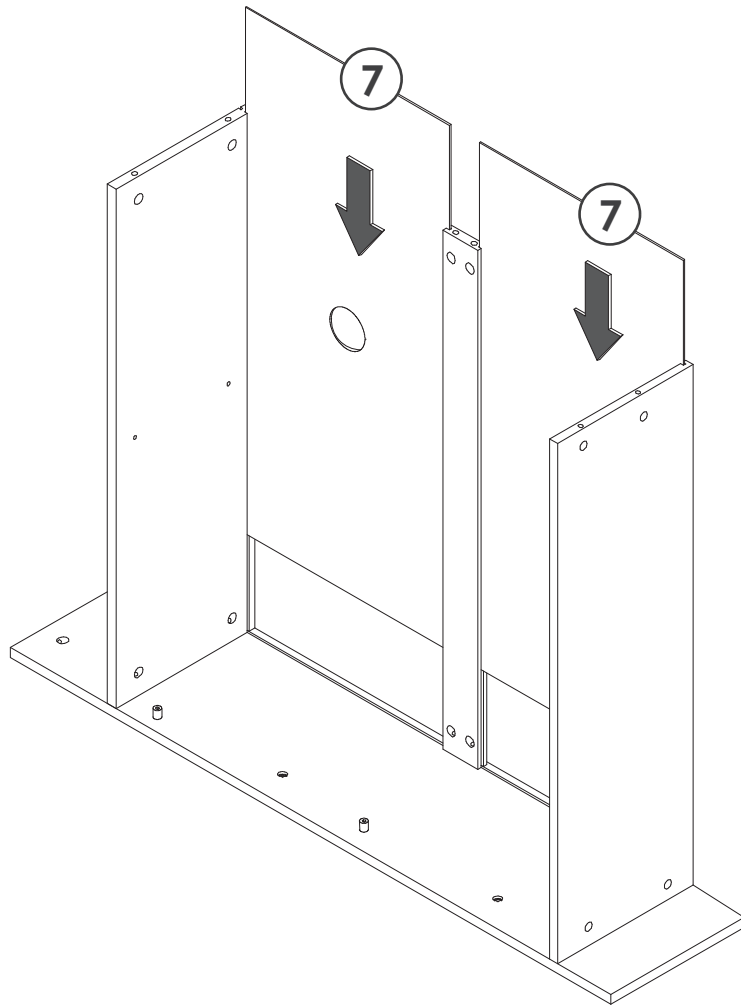
HARDWARES LIST

<p>A x26</p>  <p>M6*40mm</p>	<p>B x26</p>  <p>15*11mm</p>	<p>C x32</p>  <p>M3.5*16mm</p>	<p>D x4</p>  <p>M4*20mm</p>	<p>E x4</p> 
<p>F x4</p> 	<p>G x4</p> 	<p>J x4</p>  <p>M6*16mm</p>	<p>K x2</p> 	<p>P x4</p> 
<p>L x10</p>  <p>M5*40mm</p>	<p>M x2 sets</p> 			<p>N x12</p>  <p>M3*16mm</p>
<p>Q x4</p> 	<p>X x2</p> 		<p>Y x2</p> 	
<p>R x24</p> 	<p>S x2</p>  <p>M3.5*12mm</p>			



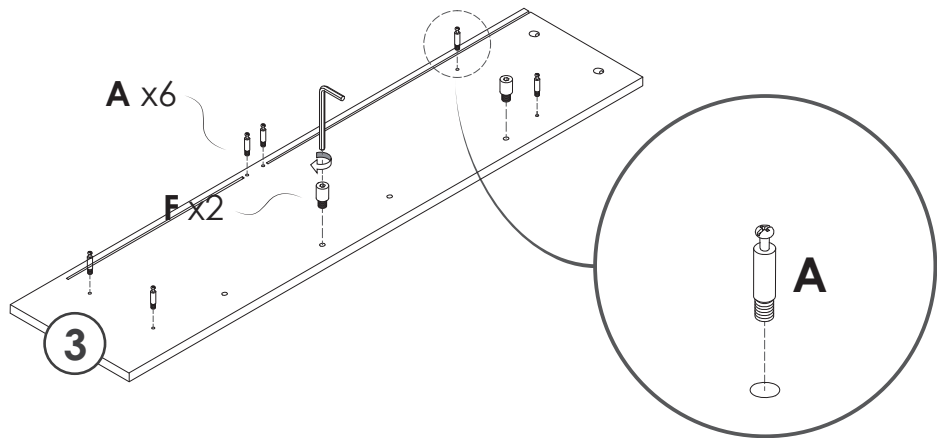


03



04

- A** x6pcs
M6*40mm
- F** x2pcs



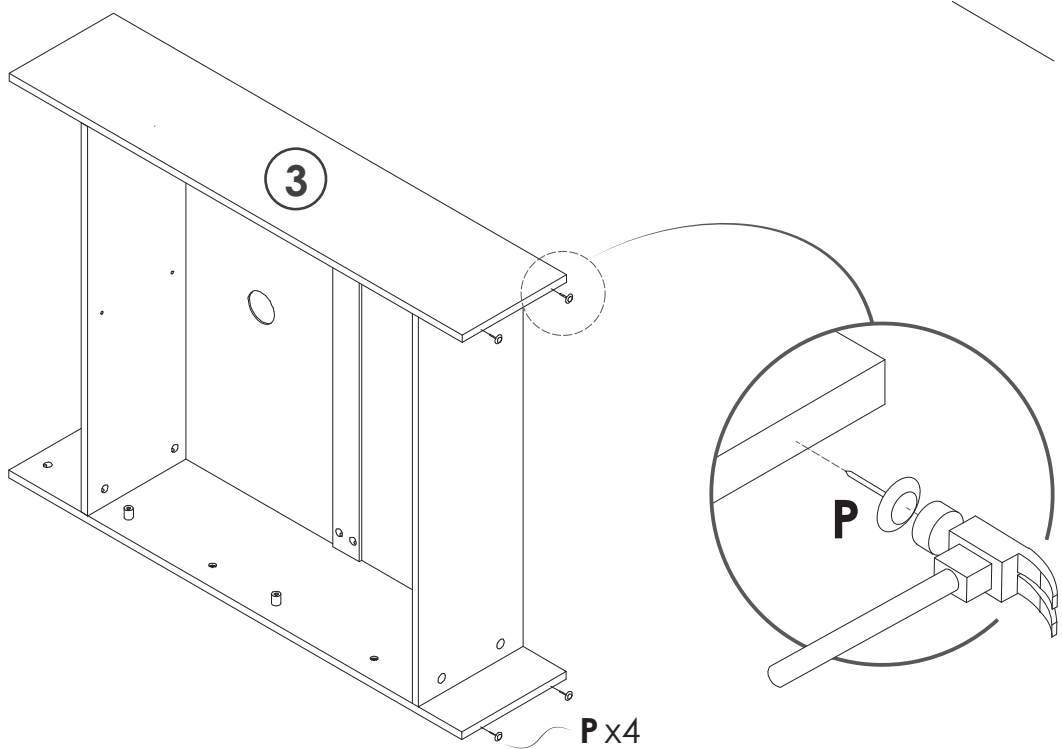
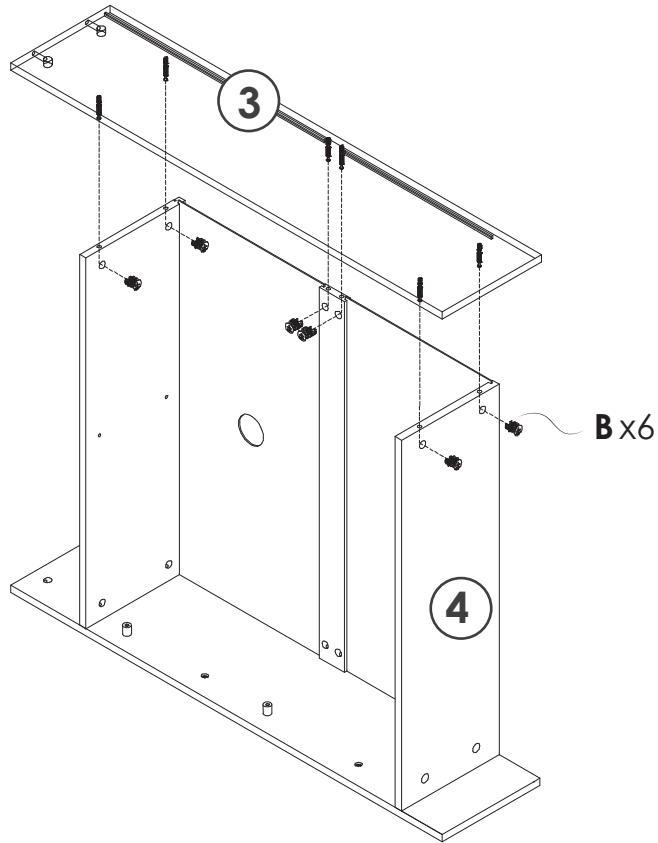
05

B x6pcs

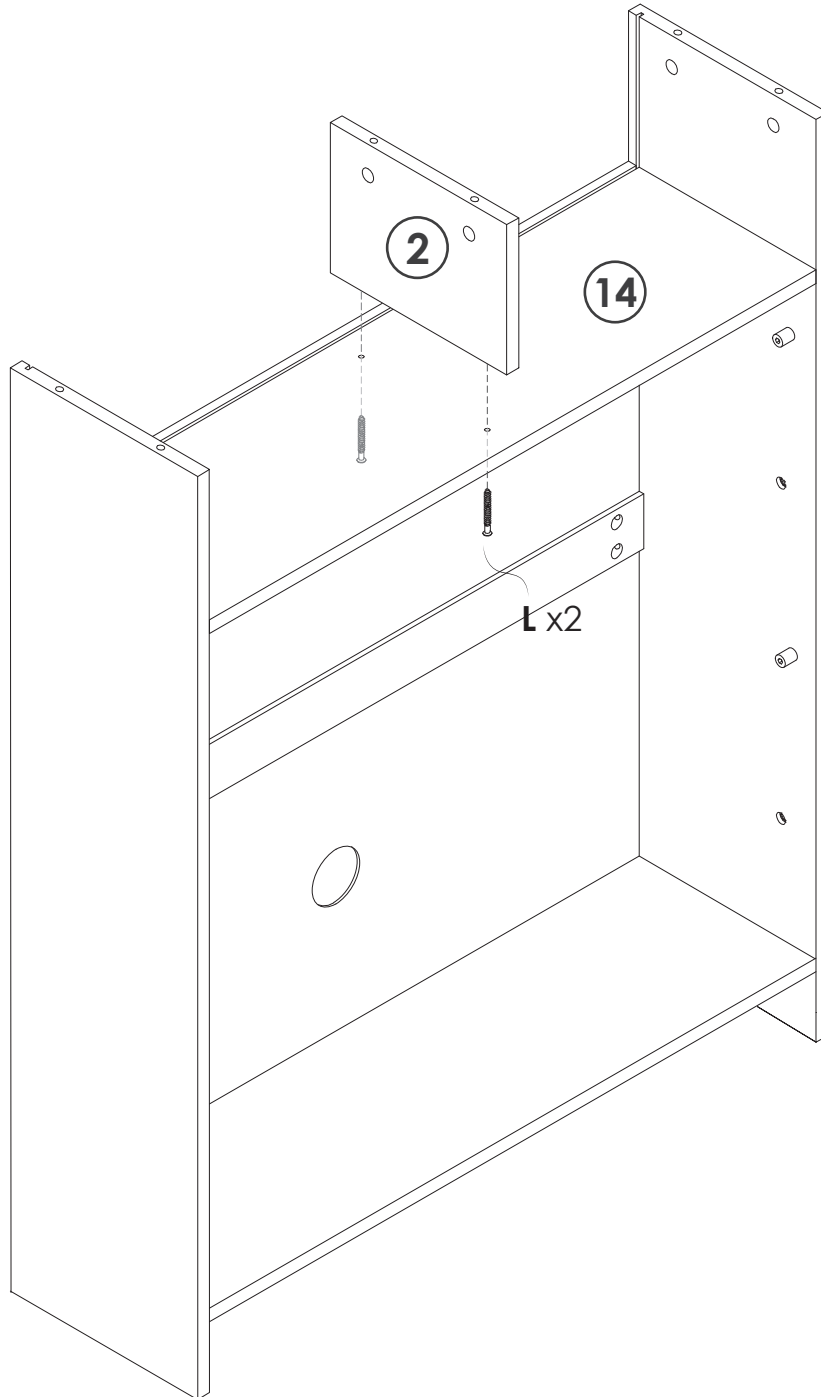
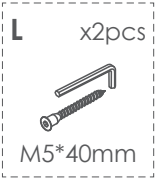


15*11mm

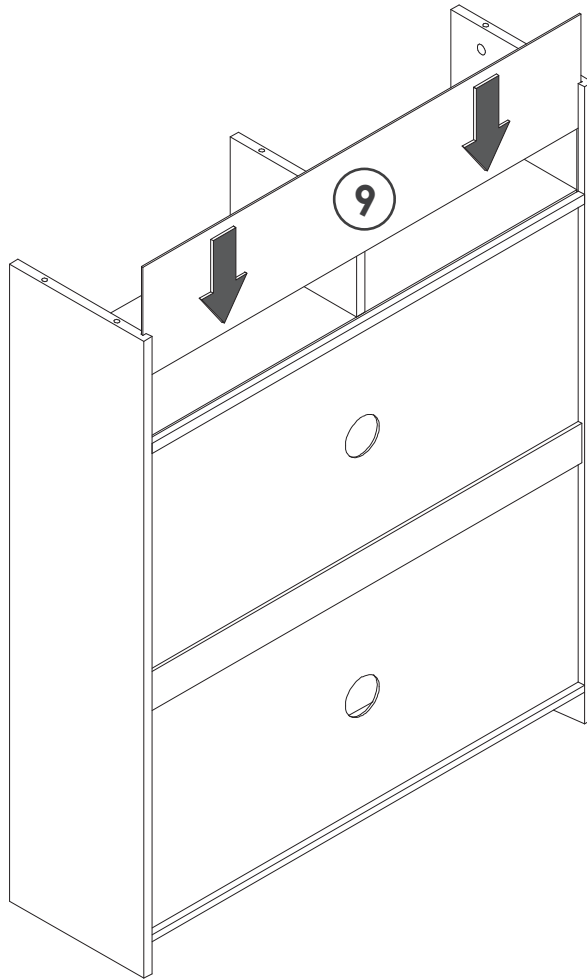
P x4pcs



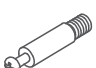


06

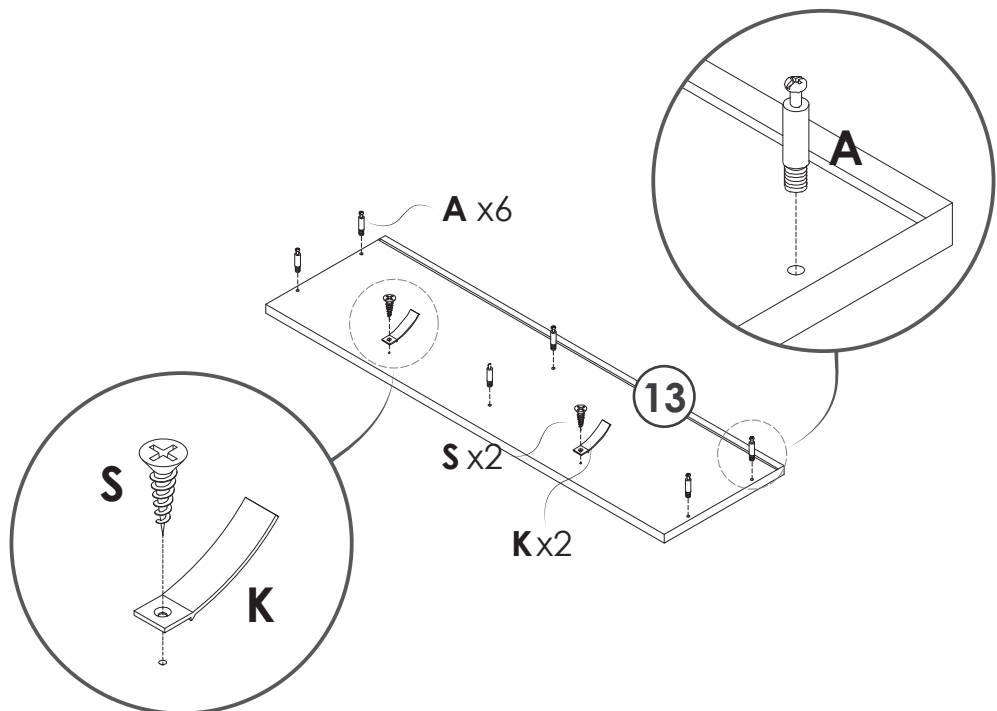


07

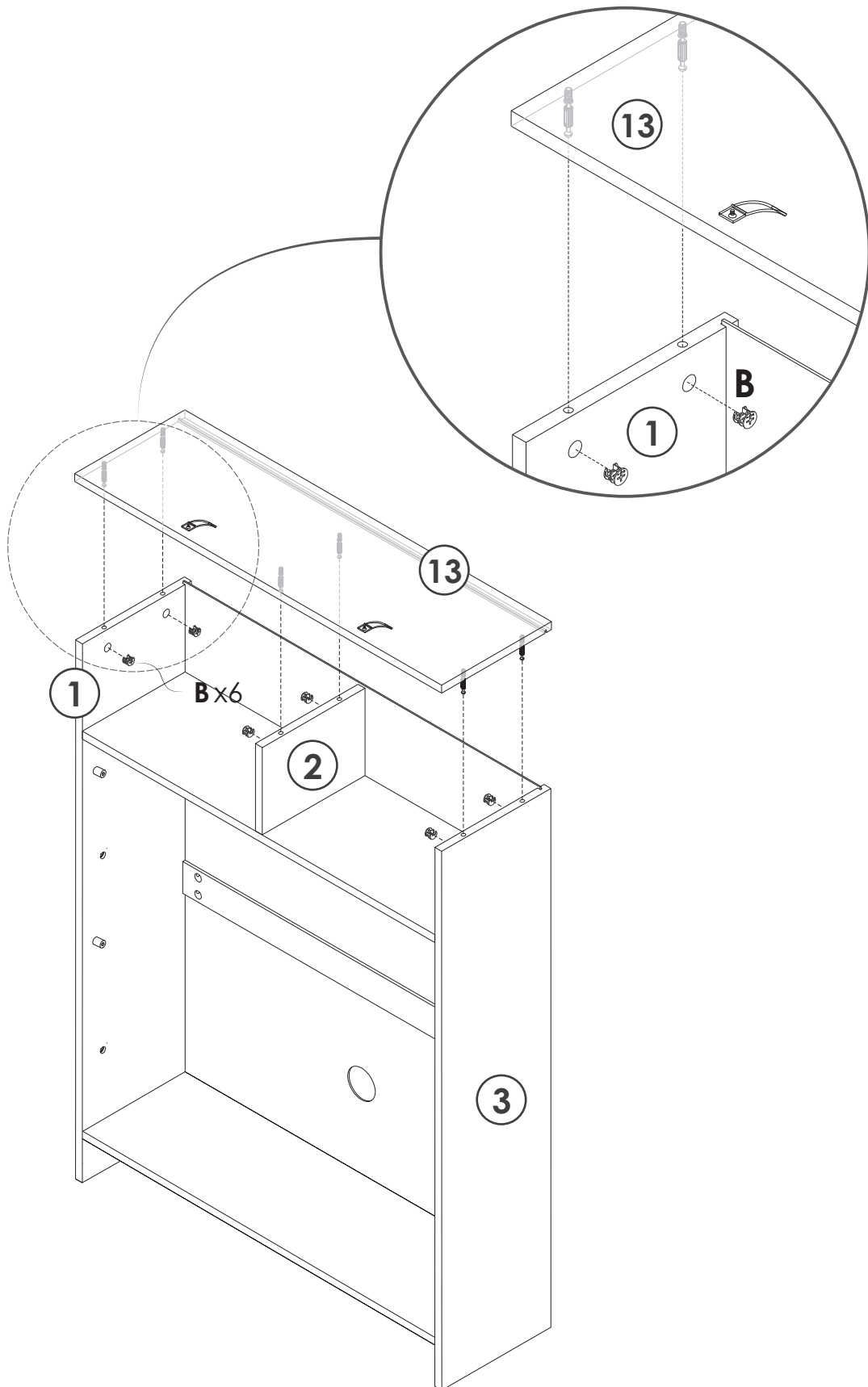
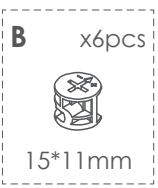


08

- A** x6pcs

M6*40mm
- S** x2pcs

M3.5*12mm
- K** x2pcs




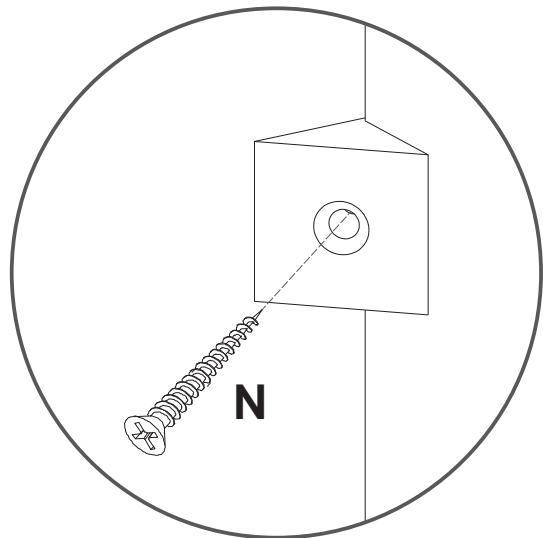
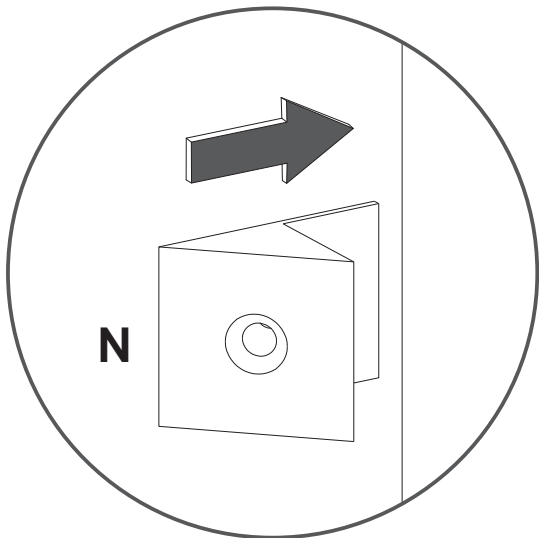
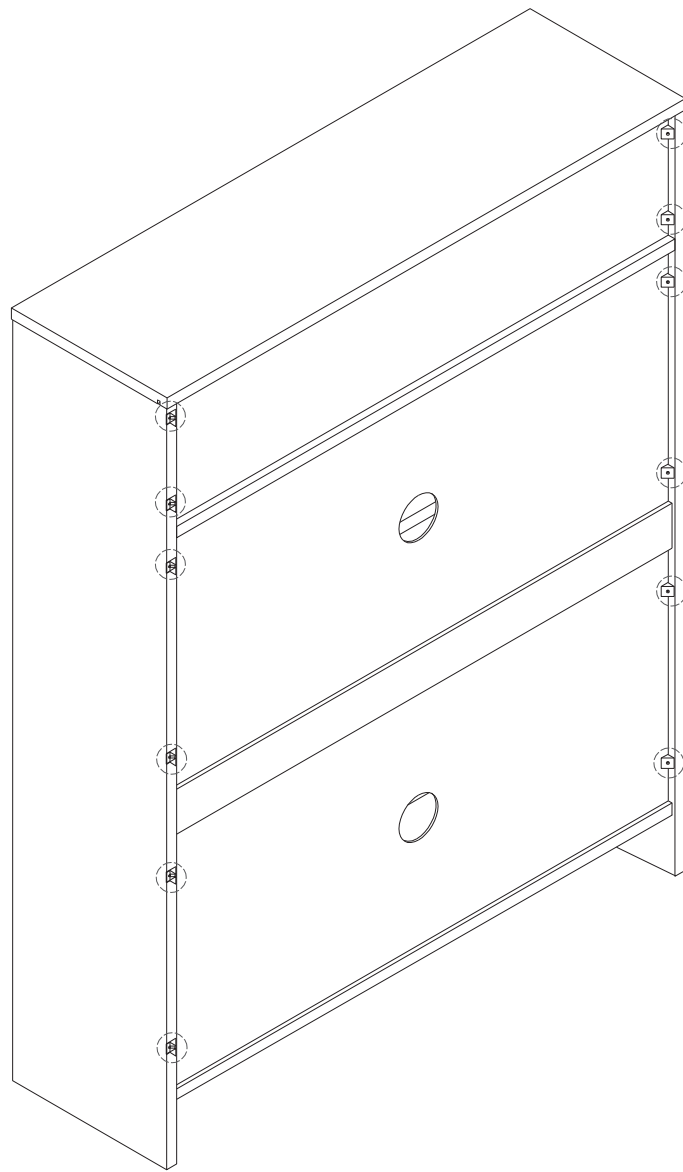
09



10

N x12pcs

M3*16mm



11

C x12pcs

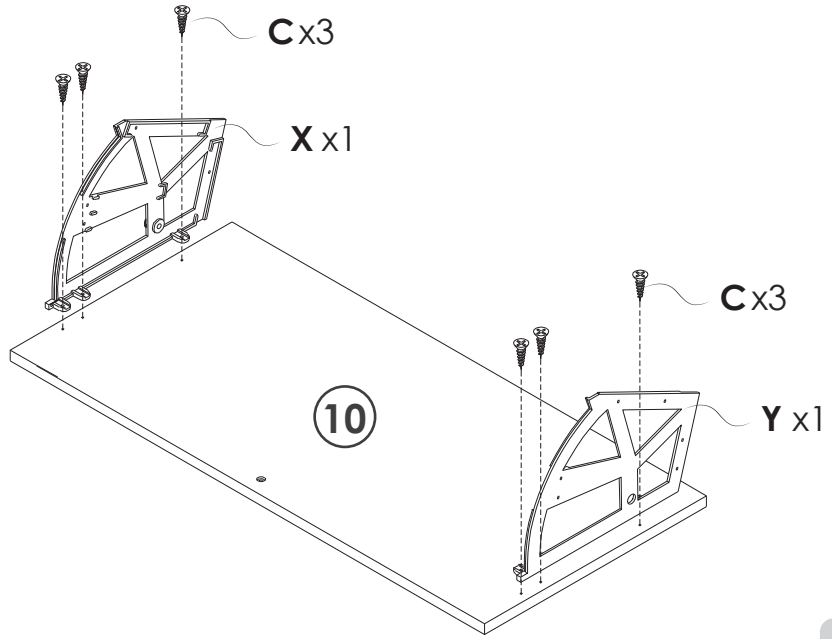
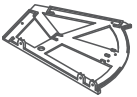


M3.5*16

X x2pcs

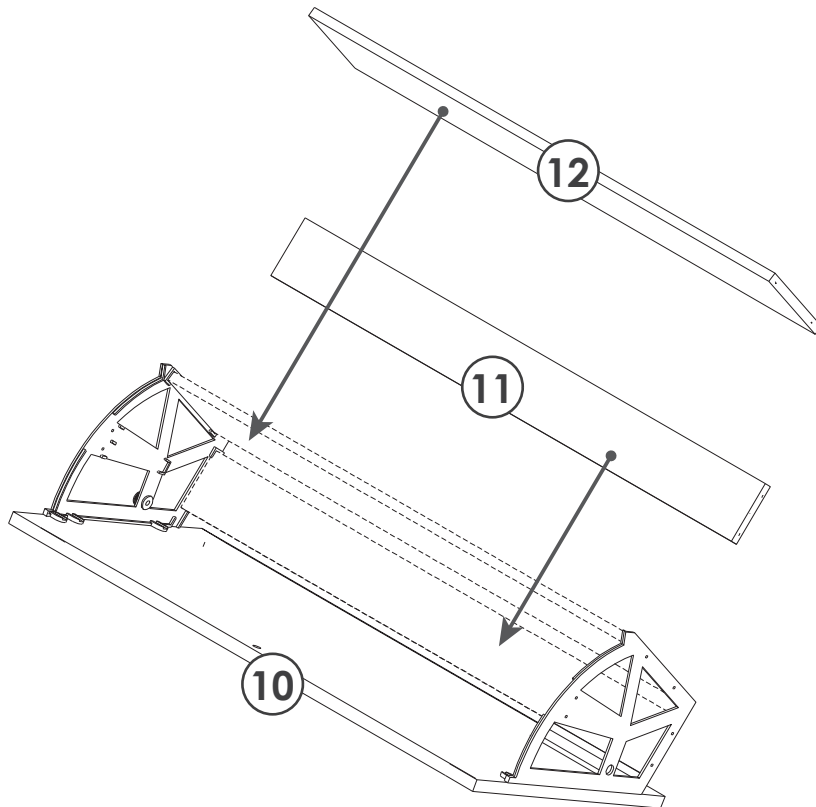


Y x2pcs



x2

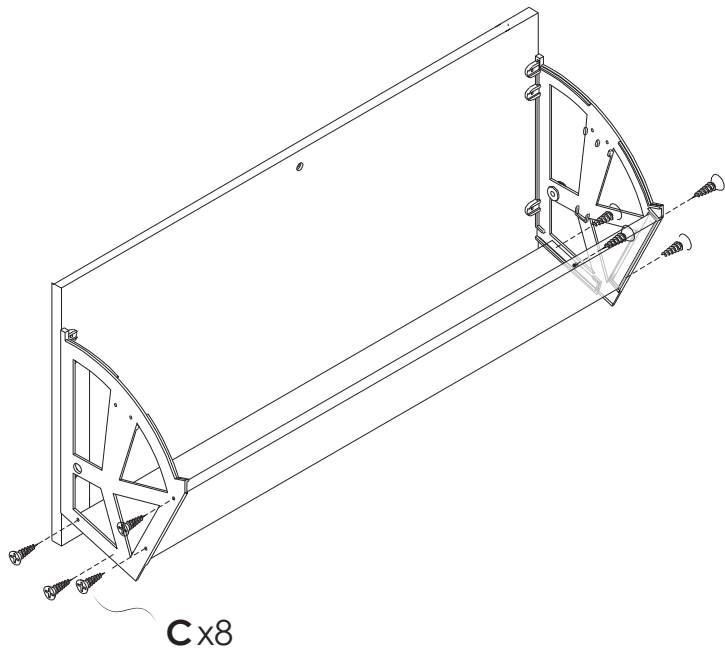
12



x2

13

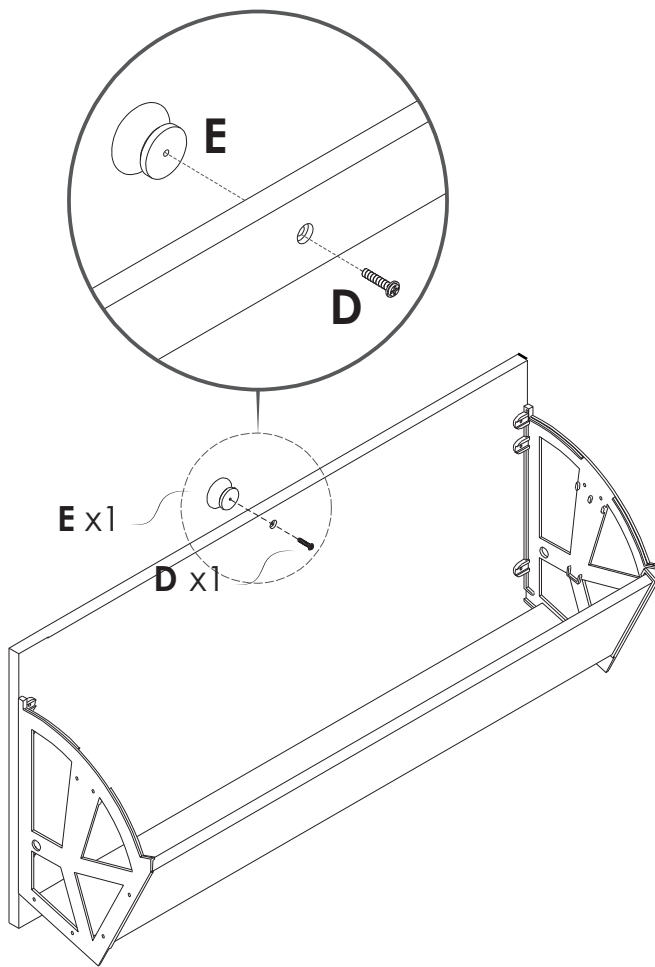
- C x16pcs
M3.5*16



x2

14

- D x2pcs
M4*20mm
- E x2pcs



x2

15

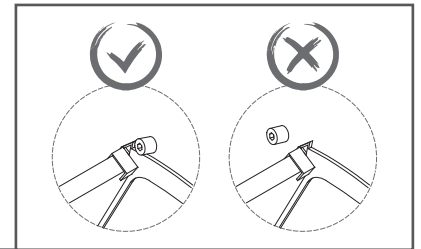
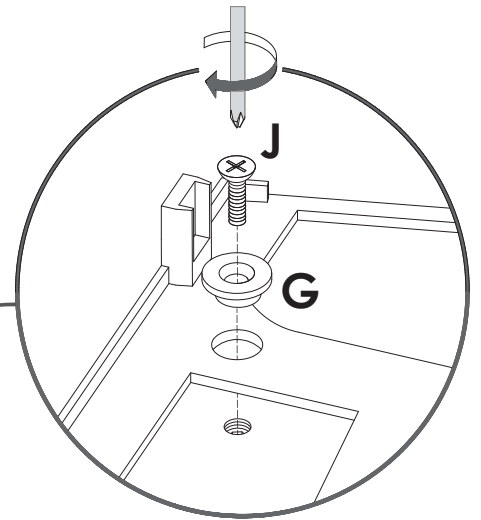
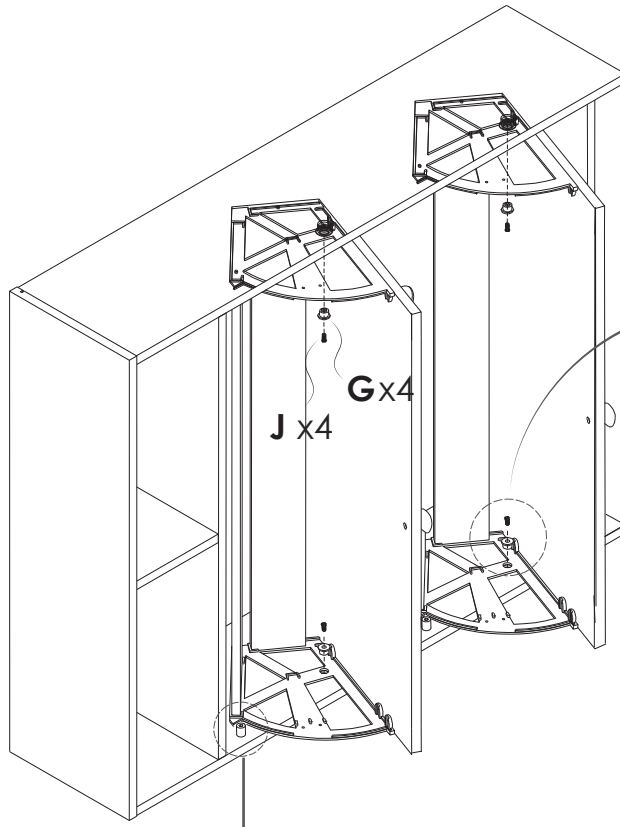
G x4pcs



J x4pcs



M6*16mm

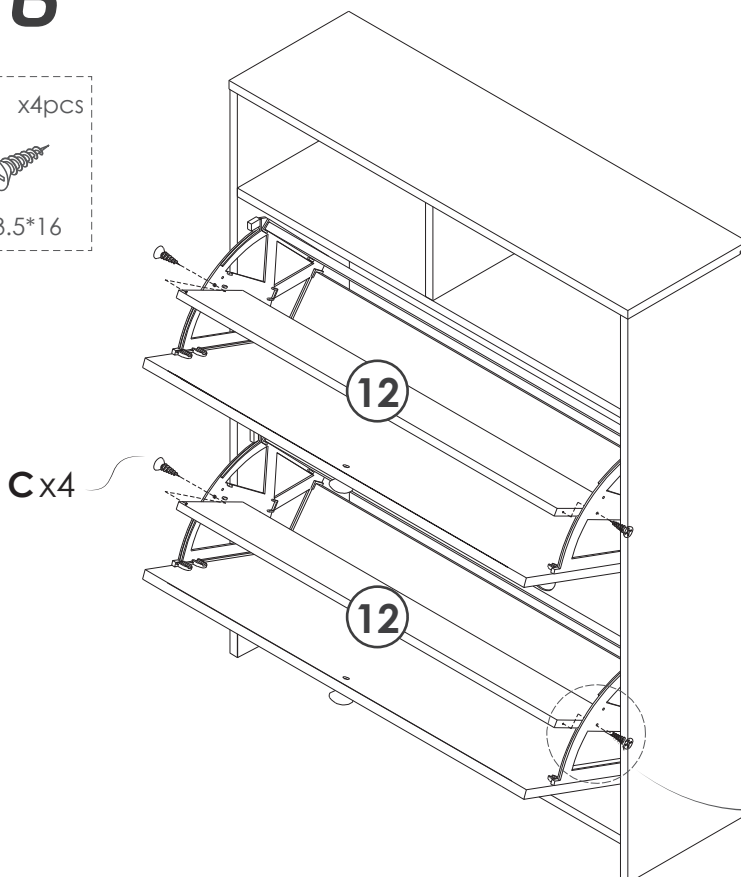


16

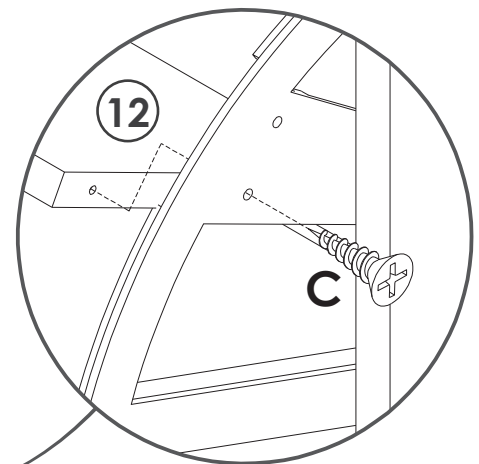
C x4pcs



M3.5*16



Install into the appropriate hole as needed.



17

A x8pcs



M6*40mm

B x8pcs



15*11mm

D x2pcs



M4*20mm

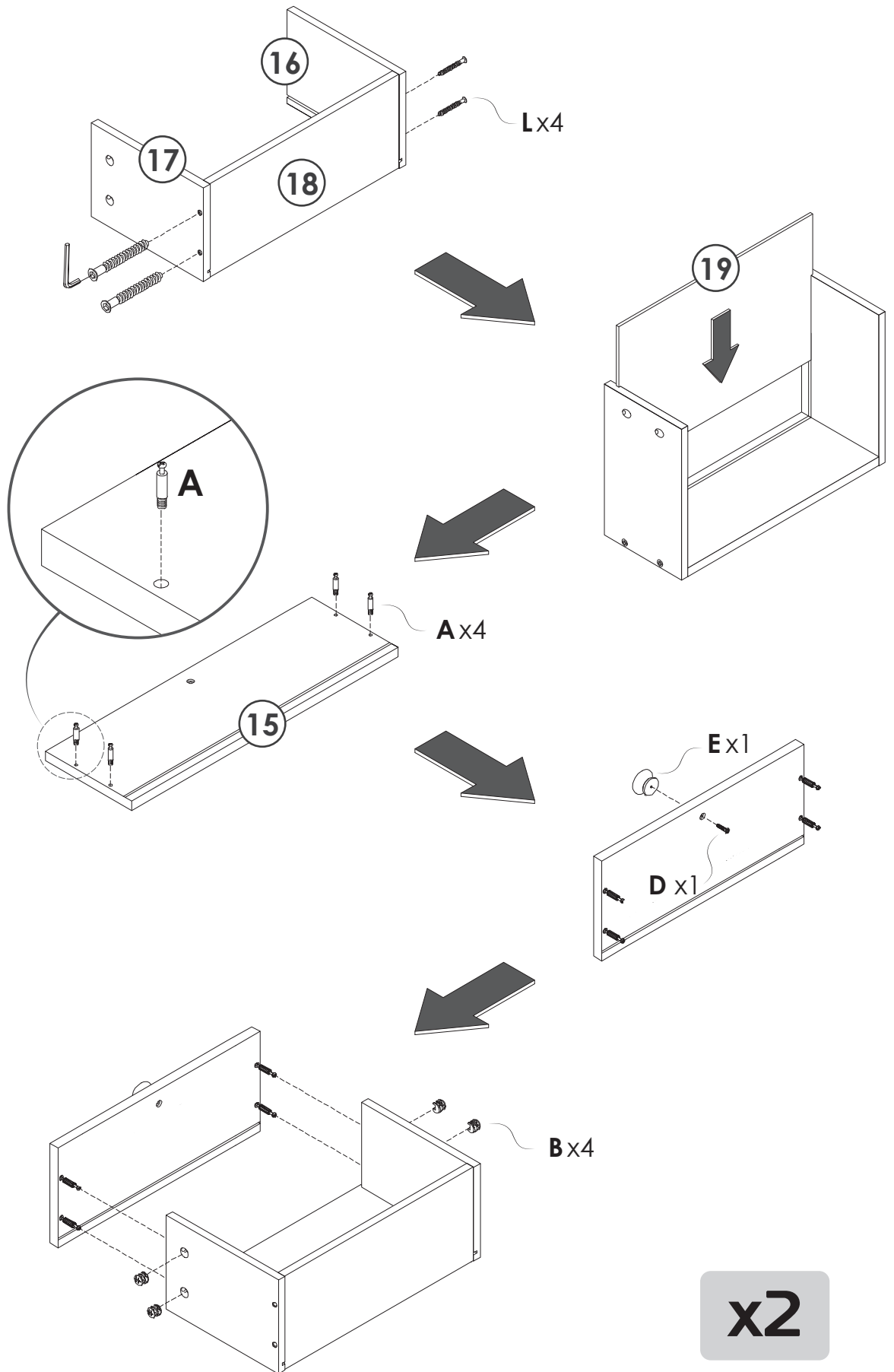
E x2pcs



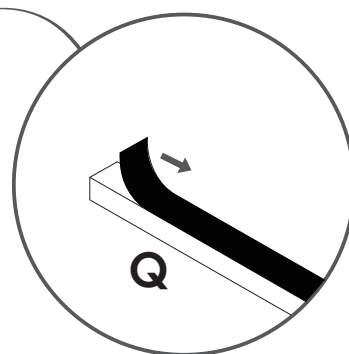
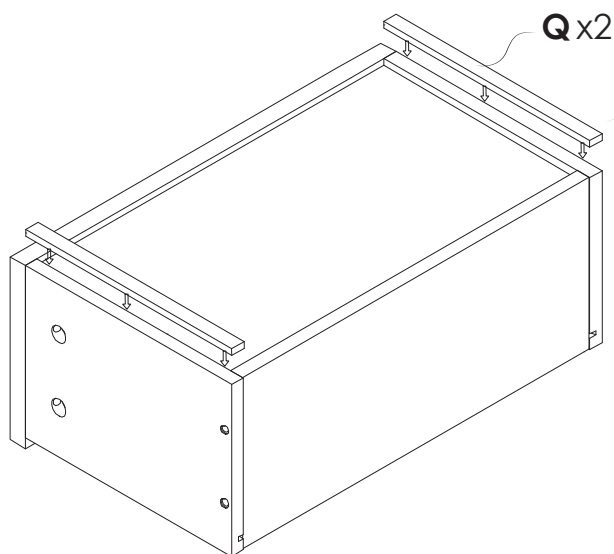
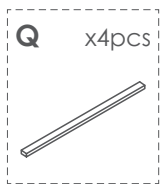
L x8pcs



M5*40mm

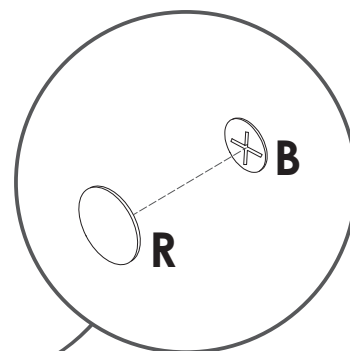
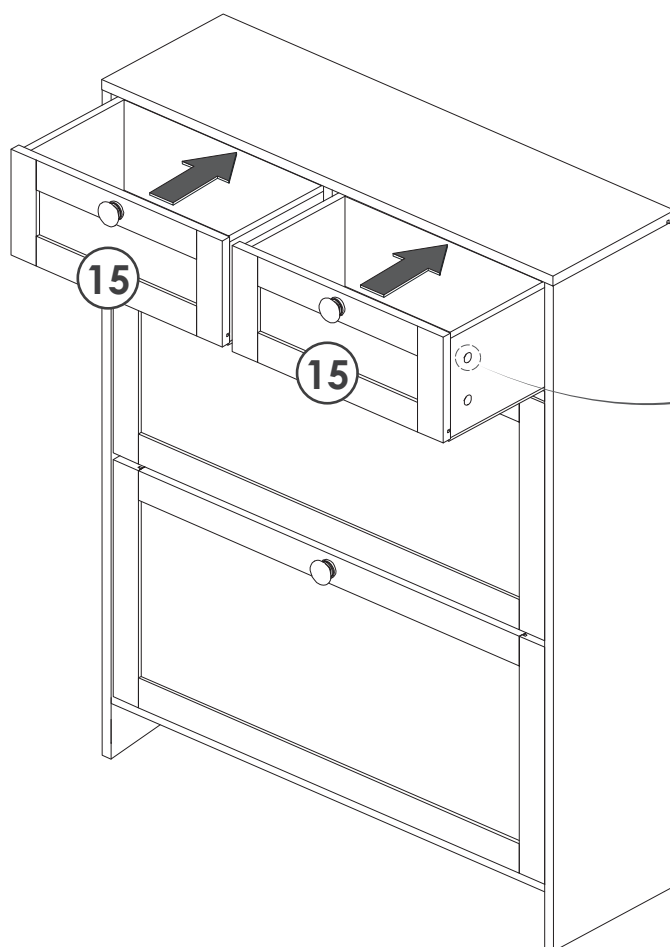
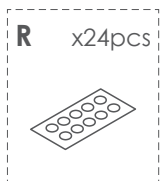


18

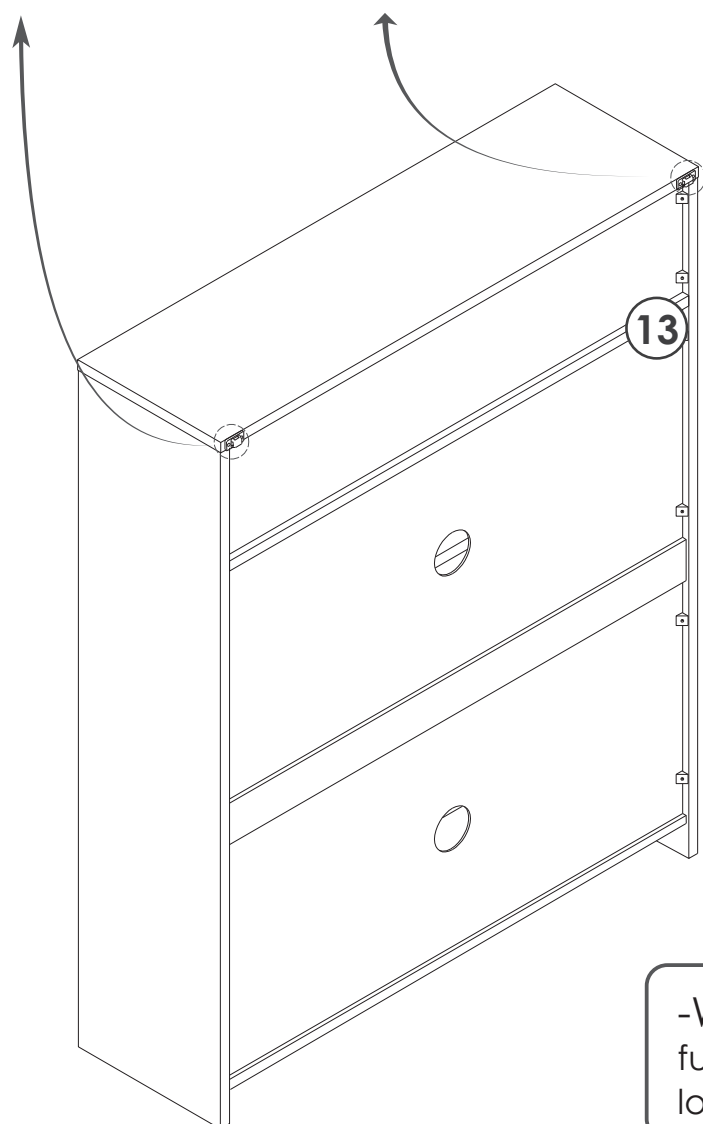
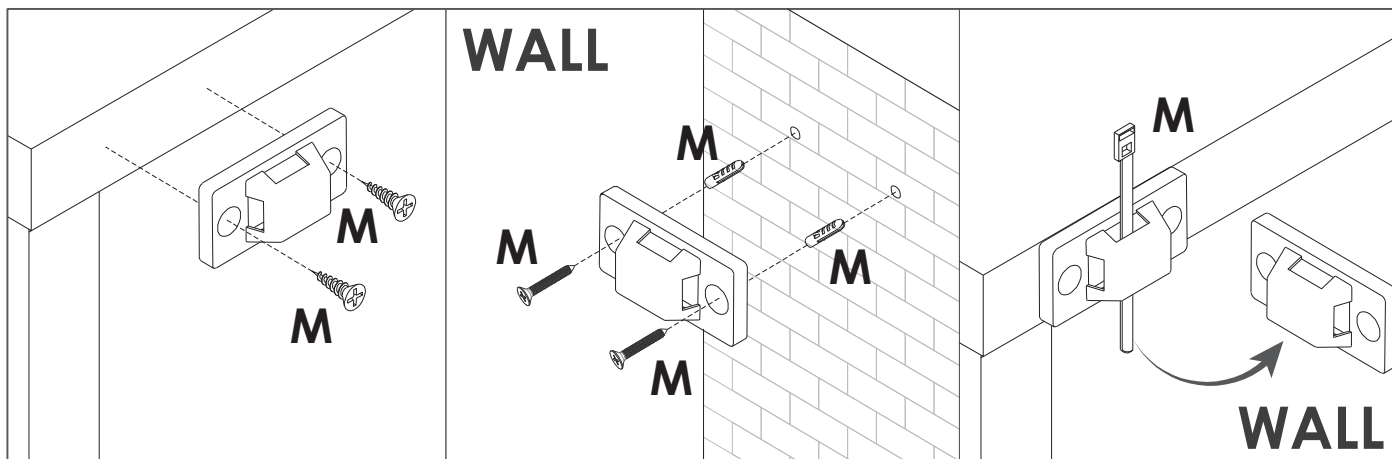
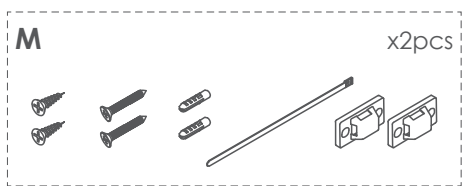


x2

19



20



Mandatory!

For safety reasons, we recommend you follow these instructions to install the anti-tipping hardware, when installed properly, this hardware may prevent the unit from tipping unexpectedly.

-WARNING -Serious injury can occur if furniture tips over. Place heavy items on lower shelved and as far back as possible.