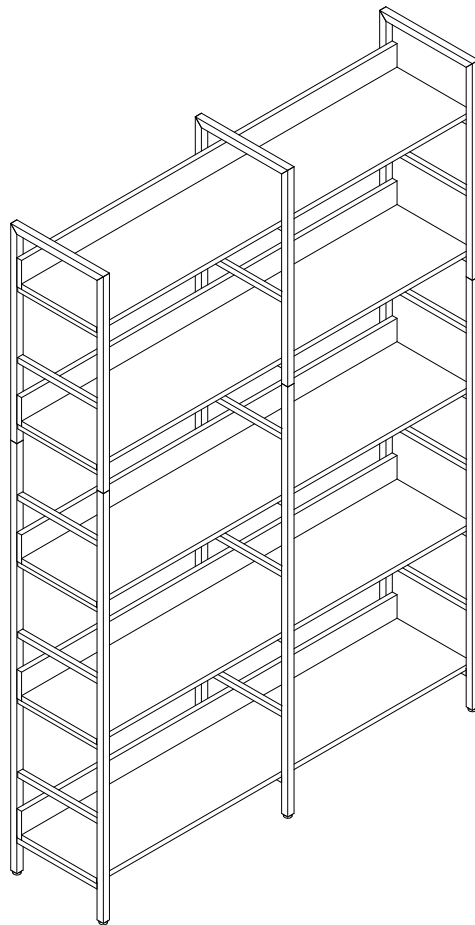


Tribesigns

DESIGNED FOR LIFE

Assembly Instructions



Shelf

Model No.
HOGA-U0129/HOGA-U0216



LITTLE TREE
Little Tree by Tribesigns

www.tribesigns.com

Contact Us

We're here to help you.




Your satisfaction is our top priority. If you encounter any issues with this product, such as missing or damaged parts, we're here to help. Please retain the original packaging and take photos of the packaging and the product, then contact us as soon as possible.

Warm Tips

1. Carefully read these instructions and keep them for future reference.
2. Check the parts list and confirm everything's there before starting assembly.
3. When assembling, put all parts on a soft, smooth surface like a carpet to avoid scratches.
4. Don't fully tighten screws until all parts are confirmed in place to avoid misalignment.

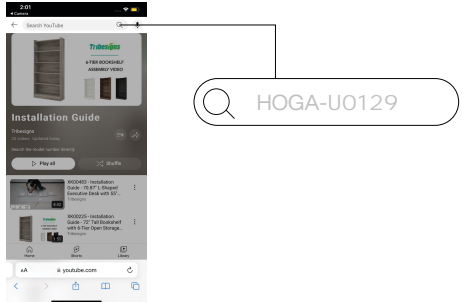
How to Get the Assembly Video

Step 1 Scan the QR code.

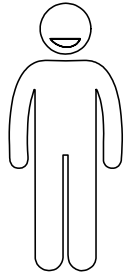


Installation Video

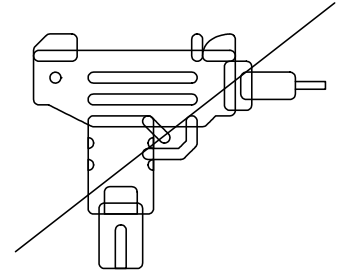
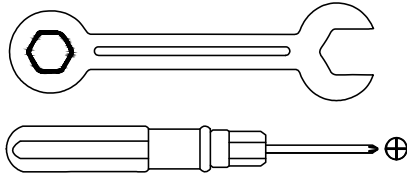
Step 2 Search with the Model No.
(on the bottom left corner of the title page)



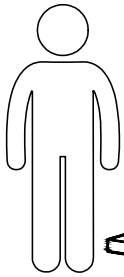
Note: If you can't find the assembly video, please contact us.



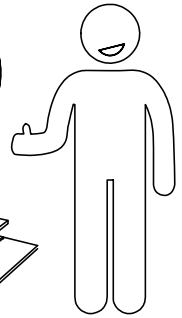
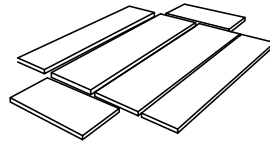
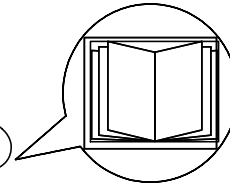
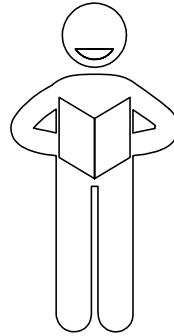
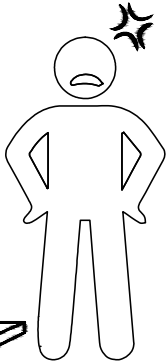
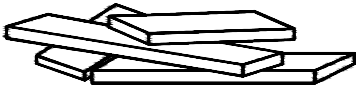
X2

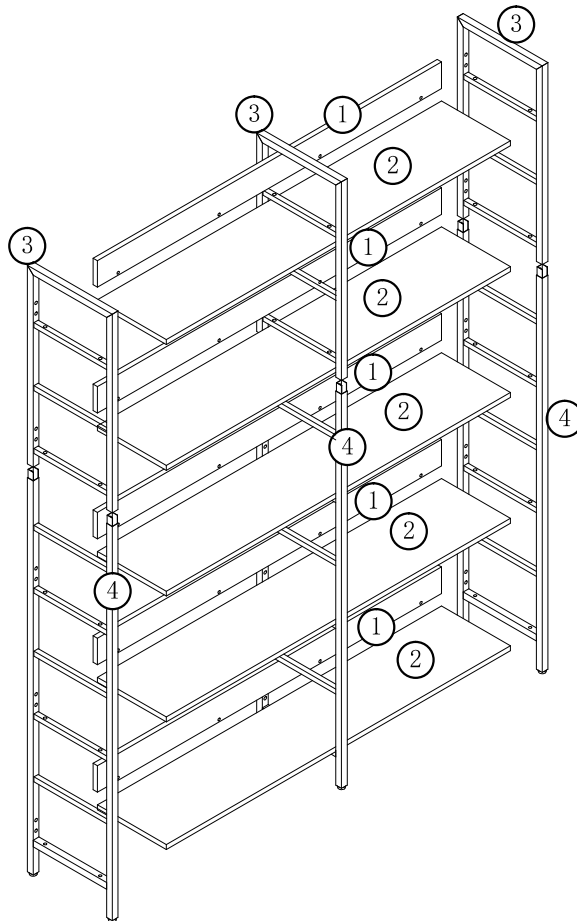


When using the electric screwdriver ,
Reduce the power and torque to avoid damaging the furniture



?

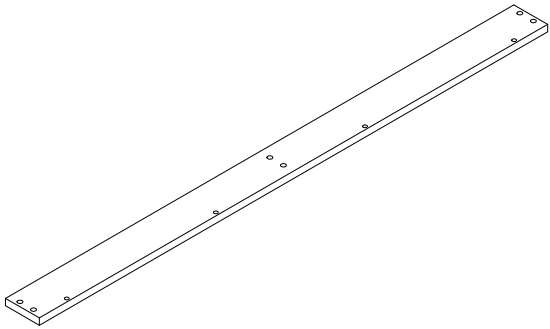




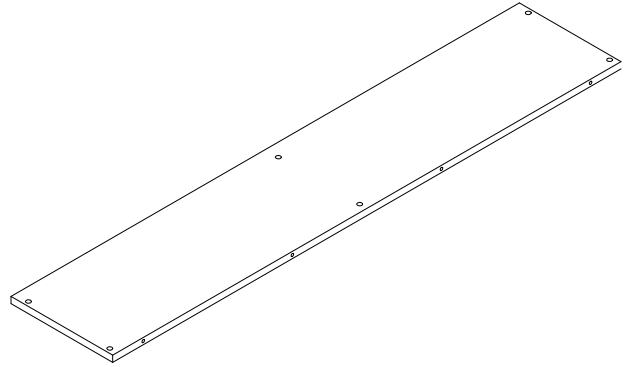
⚠ Caution

Make sure all parts are included. Most board parts are labeled or stamped on the raw edge. Contact us for free replacement if having damaged or missing parts.

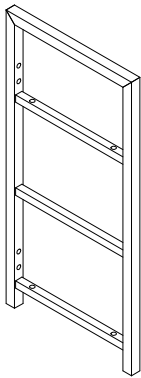
Parts List



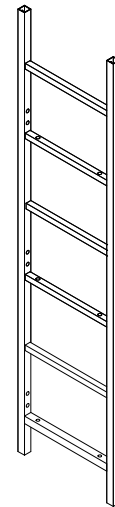
① 5 PCS



② 5 PCS


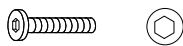









③ 3 PCS

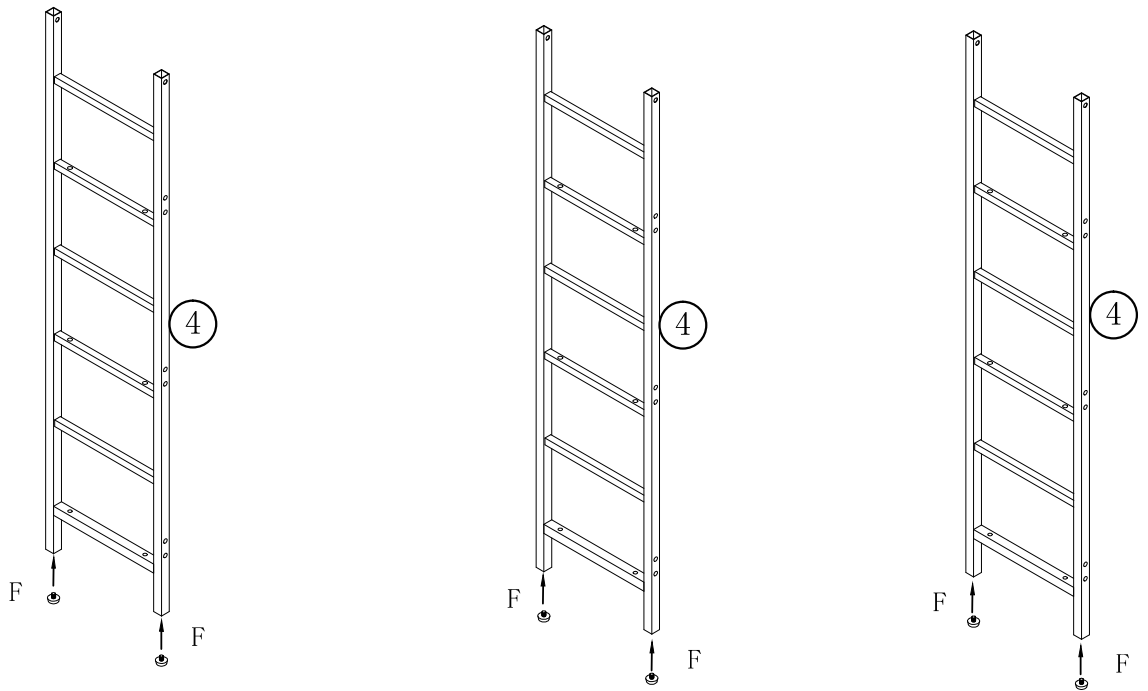


④ 3 PCS

Hardware List

<p>M6*10</p>  <p>A</p> <p>12 PCS</p>	<p>M6*25</p>  <p>B</p> <p>24 PCS</p>	<p>M6*30</p>  <p>C</p> <p>36 PCS</p>
<p>ST7*40</p>  <p>D</p> <p>20 PCS</p>	<p>20*20</p>  <p>E</p> <p>6 PCS</p>	<p>M8</p>  <p>F</p> <p>6 PCS</p>
 <p>G G G</p> <p>2 PCS 2 PCS 2 PCS</p>	 <p>1 PC</p>	 <p>1 PC</p>

1



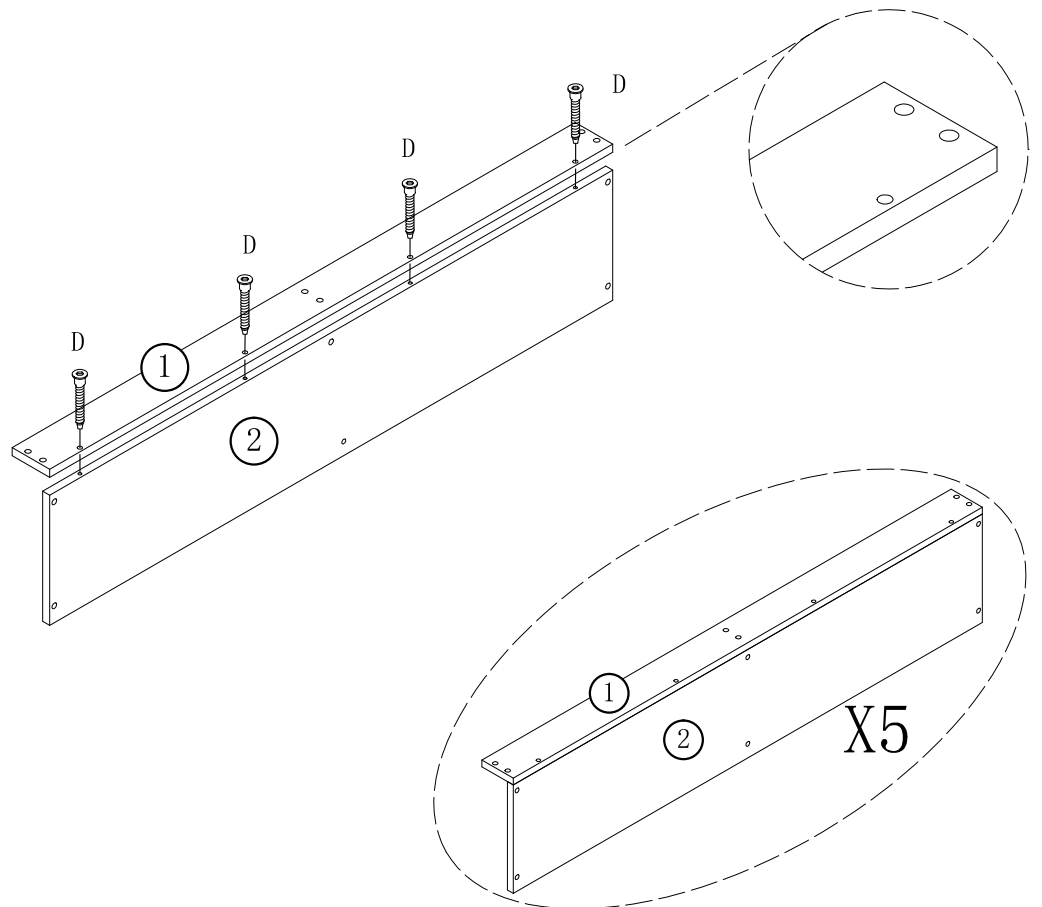
M8



F

6 PCS

2



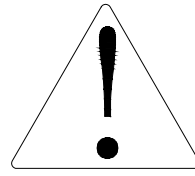
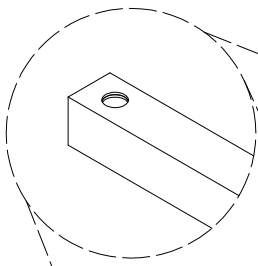
ST7*40



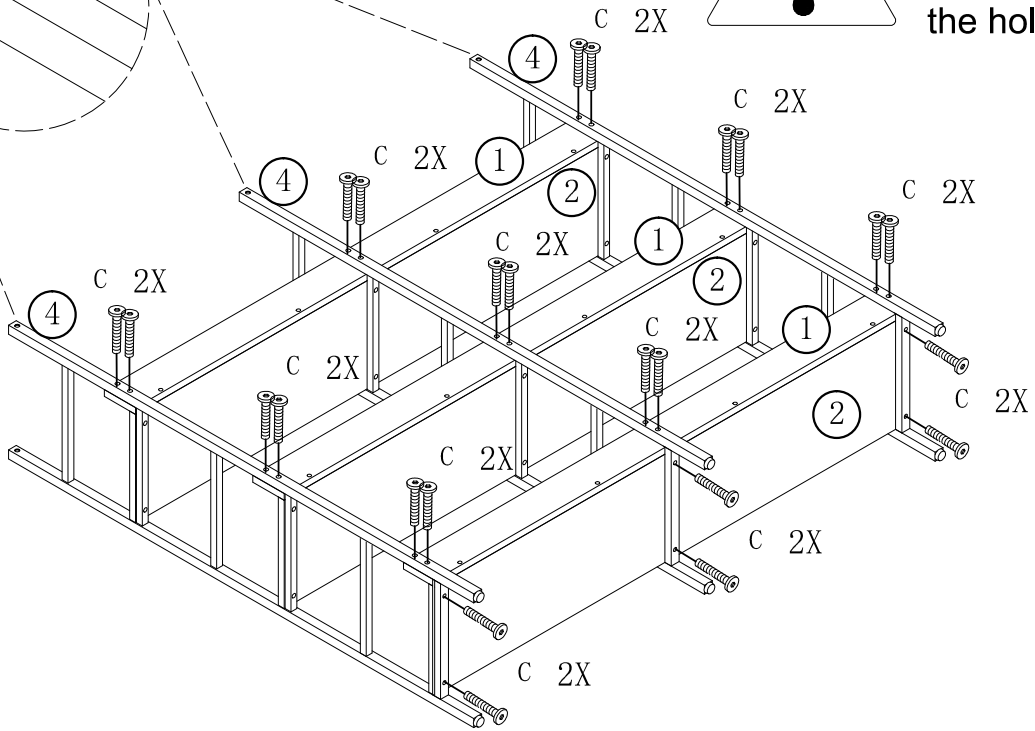
D

20 PCS

3



Pay attention to the orientation of the holes



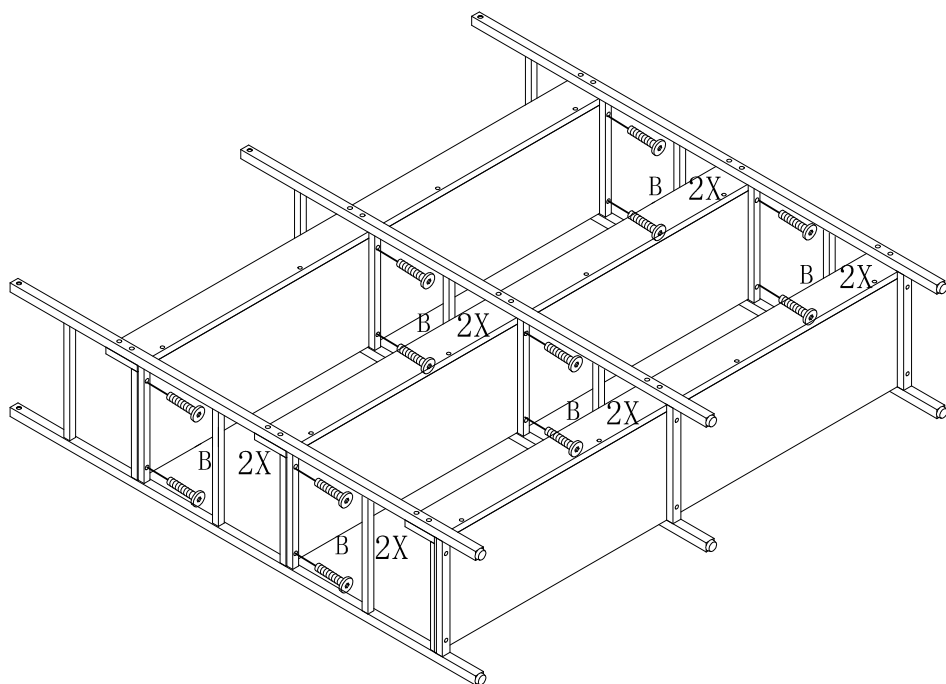
M6*30



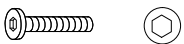
C

24 PCS

4



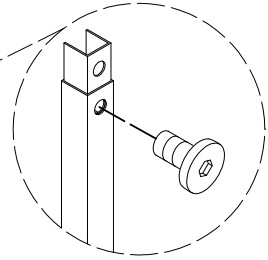
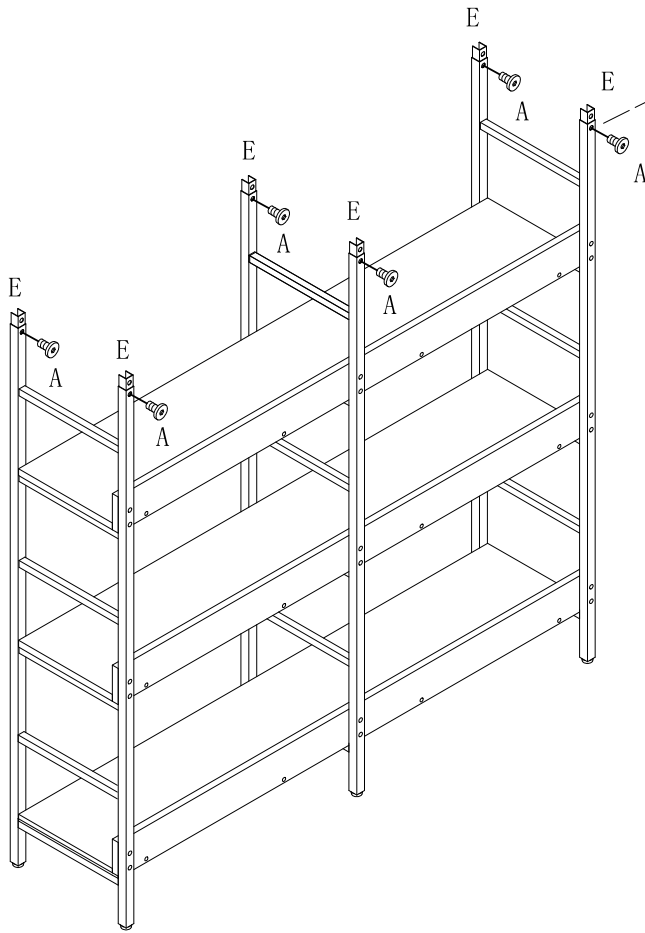
M6*25



B

12 PCS

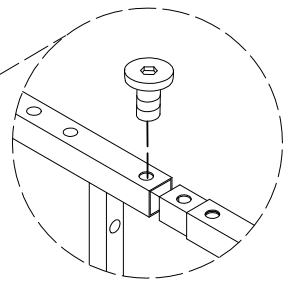
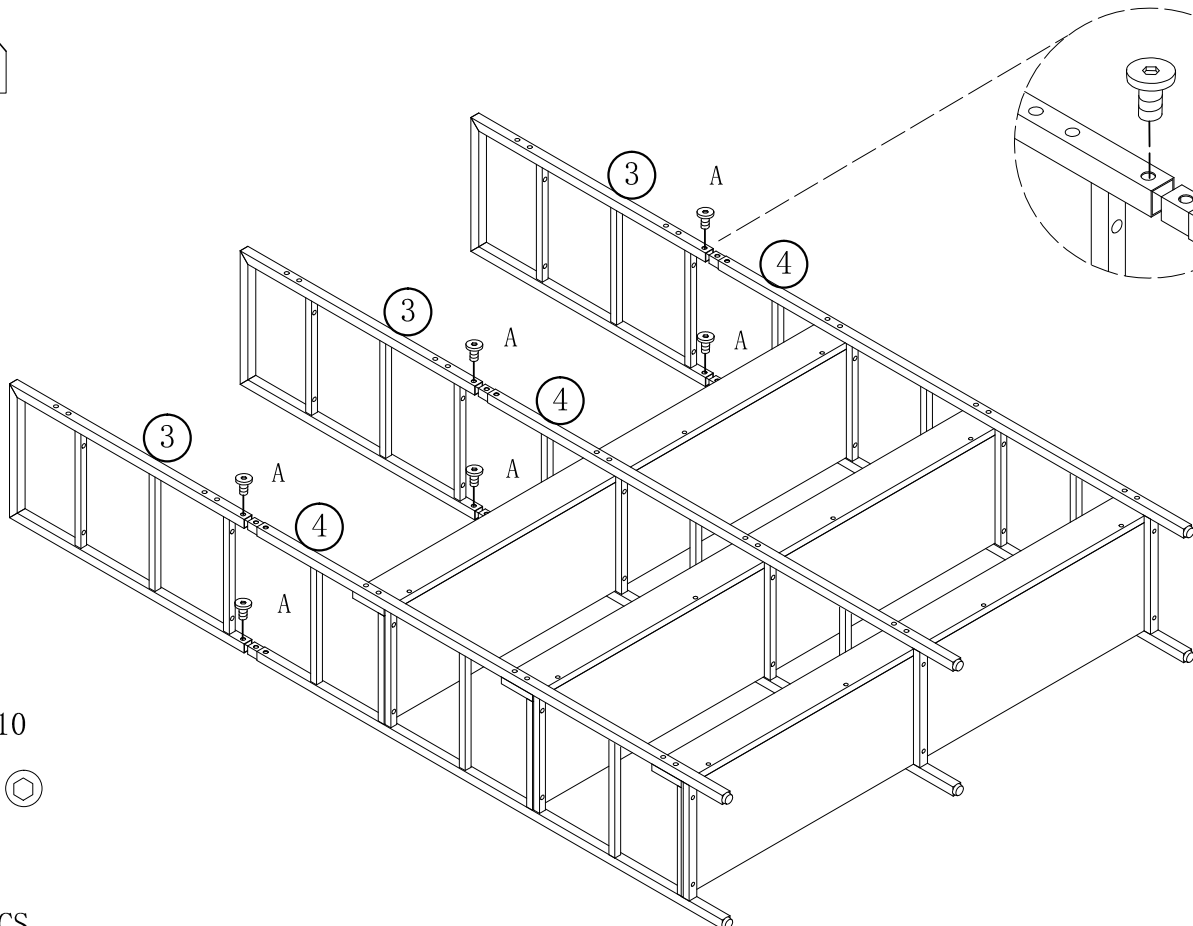
5





The E fitting used to connect the pipe requires the help of a tool, and then align the hole and knock it down.

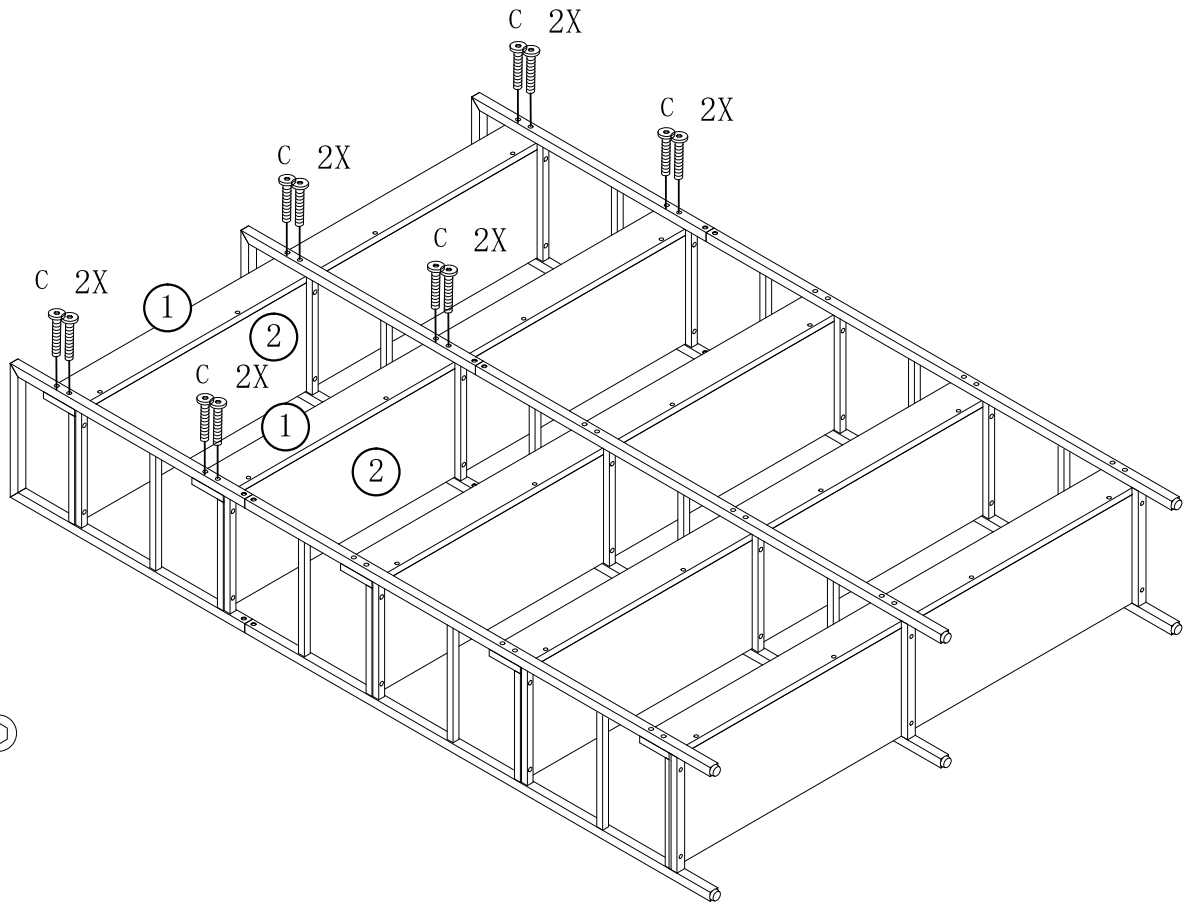
- | | |
|---|---|
| M6*10 | 20*20 |
|   |  |
| A | E |
| 6 PCS | 6 PCS |

6



- | |
|--|
| M6*10 |
|   |
| A |
| 6 PCS |

7



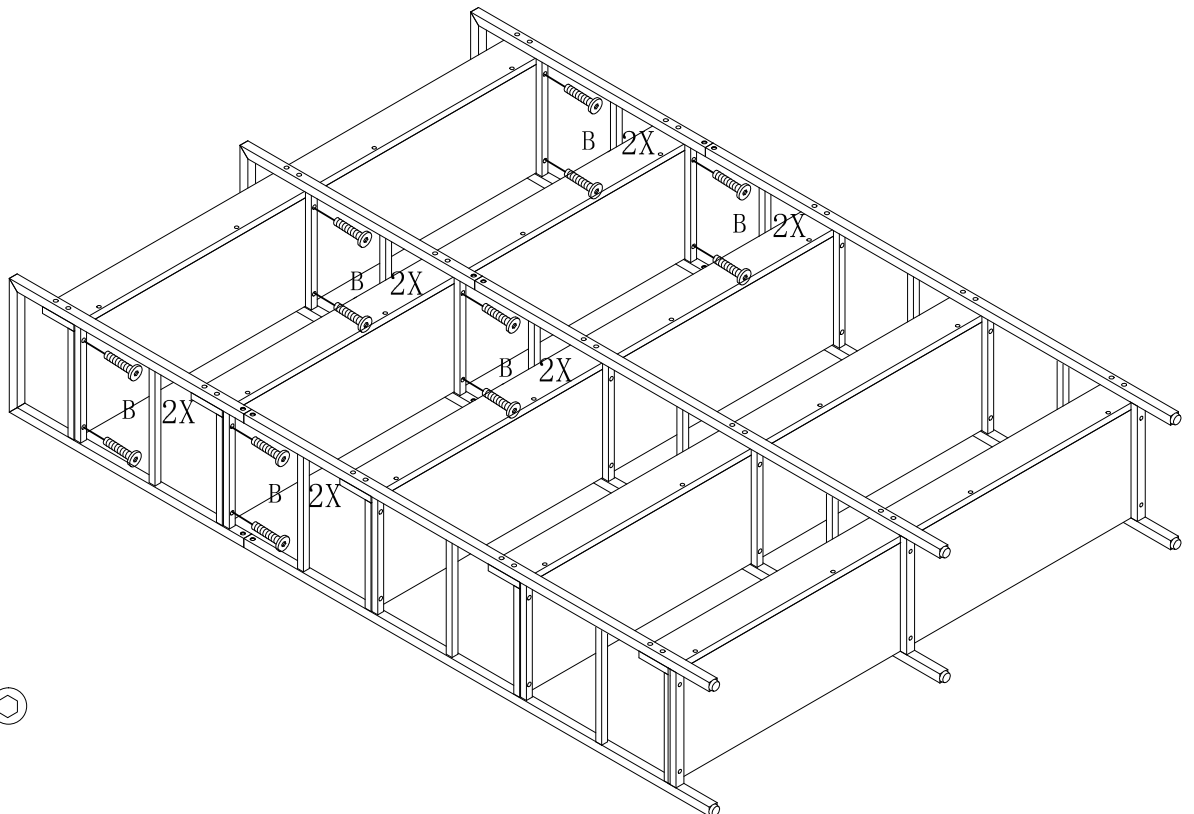
M6*30



C

12 PCS

8



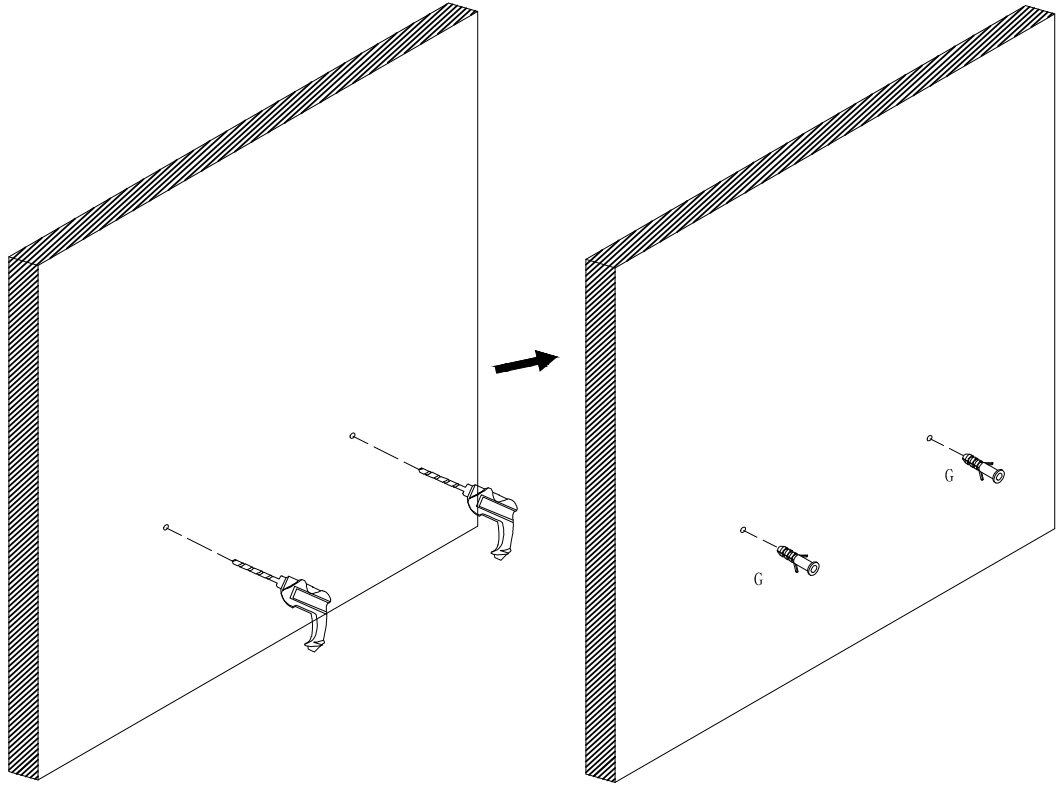
M6*25



B

12 PCS

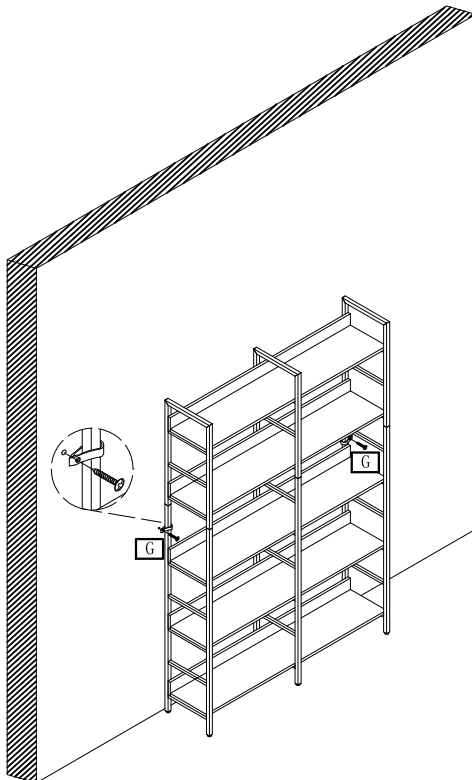
9



G

2 PCS

10



G

2 PCS



G

2 PCS

We genuinely appreciate your purchase of our product. Any problem (installation or damage caused by shipping), please feel free to contact us. Our customer service will help to solve the problem for your ASAP

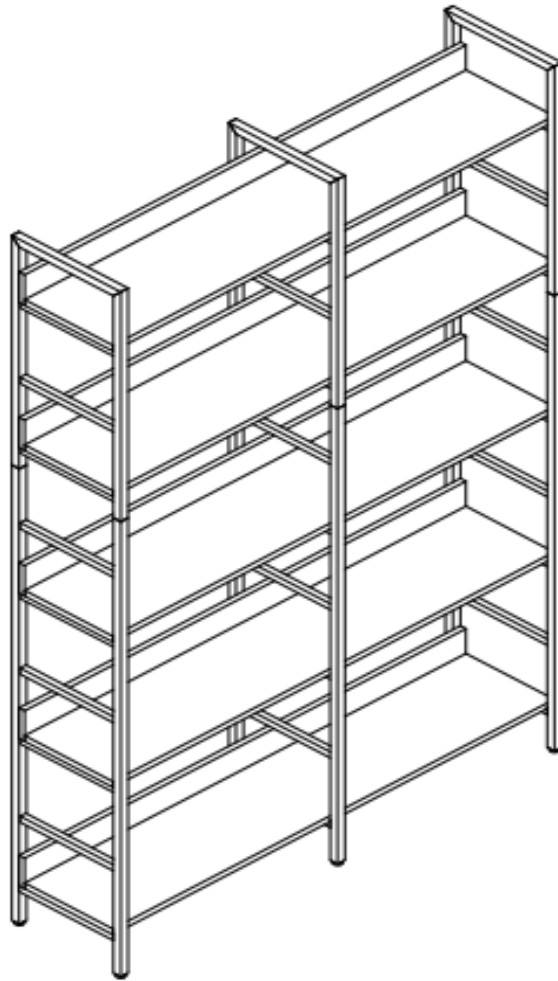
[E-mail:support@tribesigns.com](mailto:support@tribesigns.com)

Customer Service Hotline:+14242206888



DESIGNED FOR LIFE

Thank you for your support!



Contact our customer service team



support@tribesigns.com
www.tribesigns.com



1-424-220-6888

Contact us anytime except
12:00 AM to 8:00 AM EST.

Follow Tribesigns



Facebook



Instagram



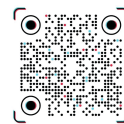
Pinterest



Twitter



YouTube



TikTok



WhatsApp