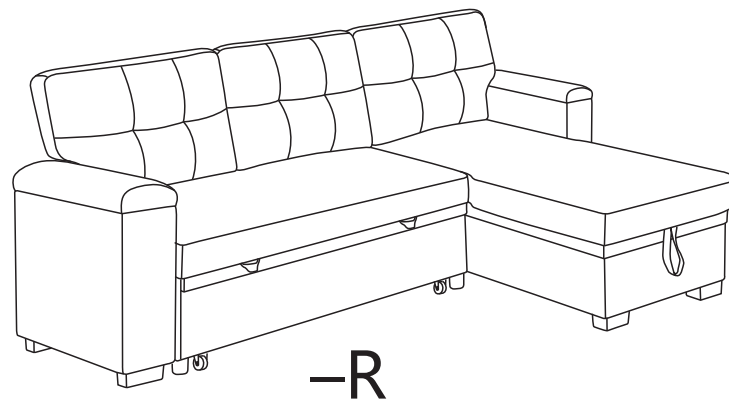
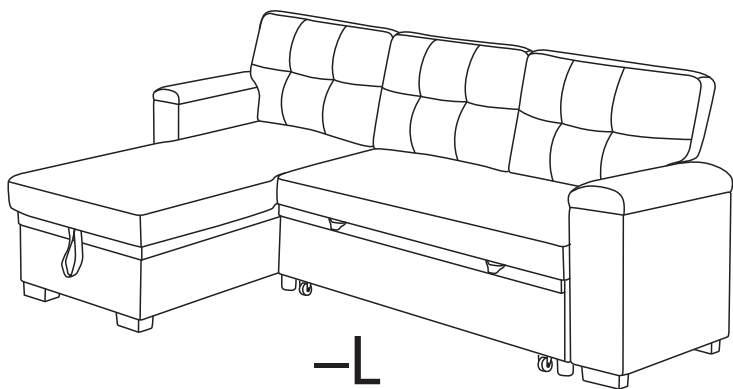
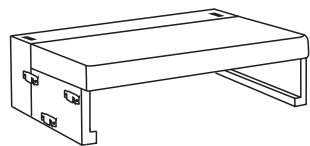


ASSEMBLY INSTRUCTION

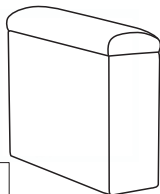


PARTS LIST



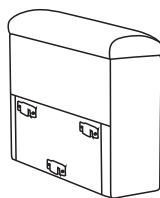
A

X1



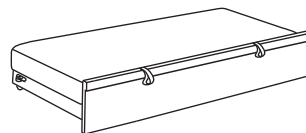
B

X1



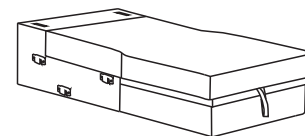
C

X1



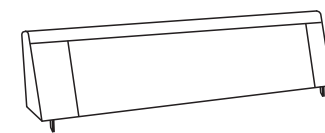
D

X1



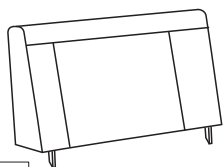
E

X1



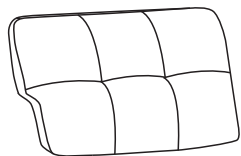
F

X1



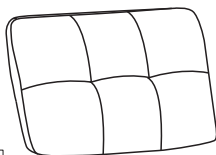
G

X1



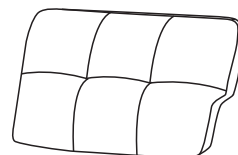
H

X1



I

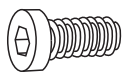
X1



J

X1

HARDWARE LIST



M6X25

1

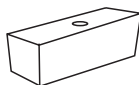
X8



M4

2

X1



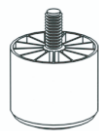
3

X6



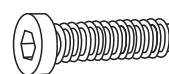
4

X4



5

X6



M8X60

6

X6

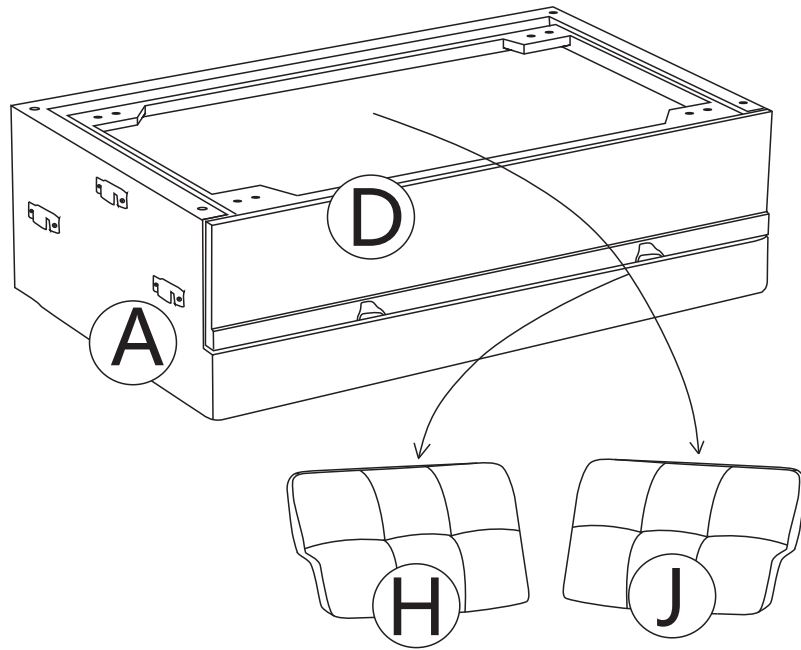


M5

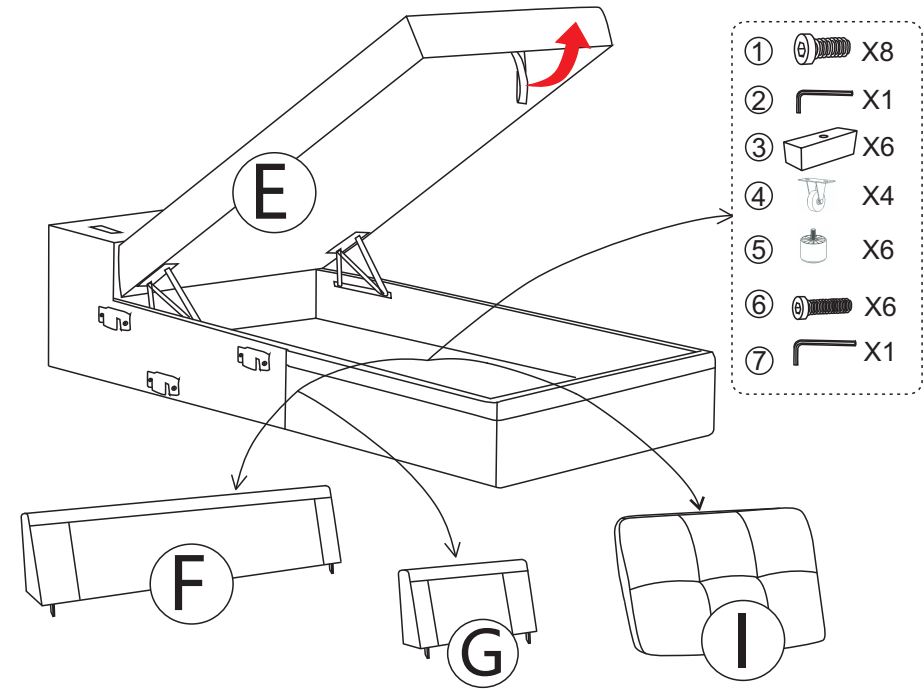
7

X1

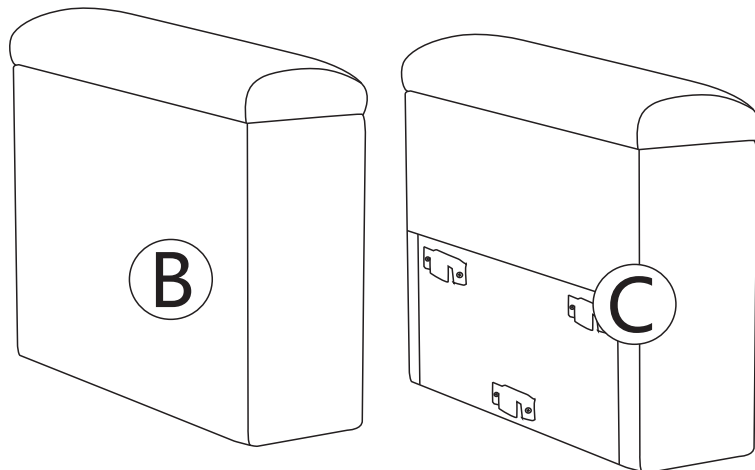
BOX -1 HARDWARE LIST



BOX -2 HARDWARE LIST



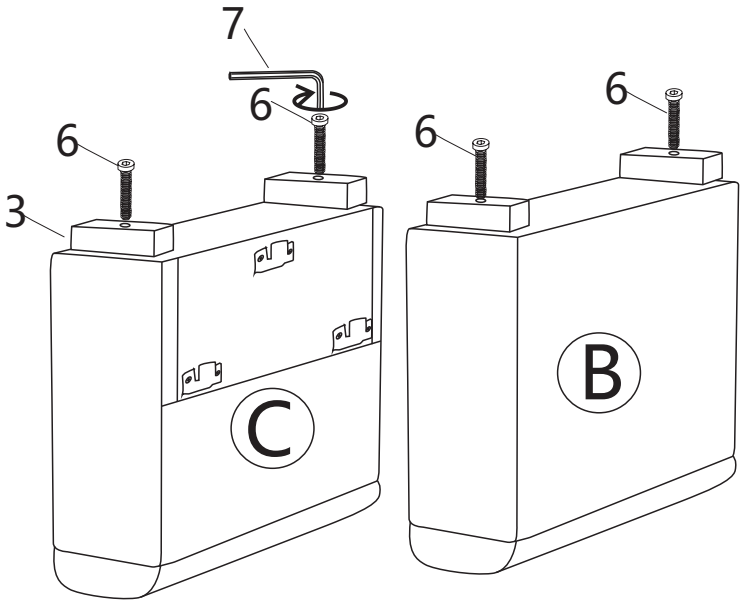
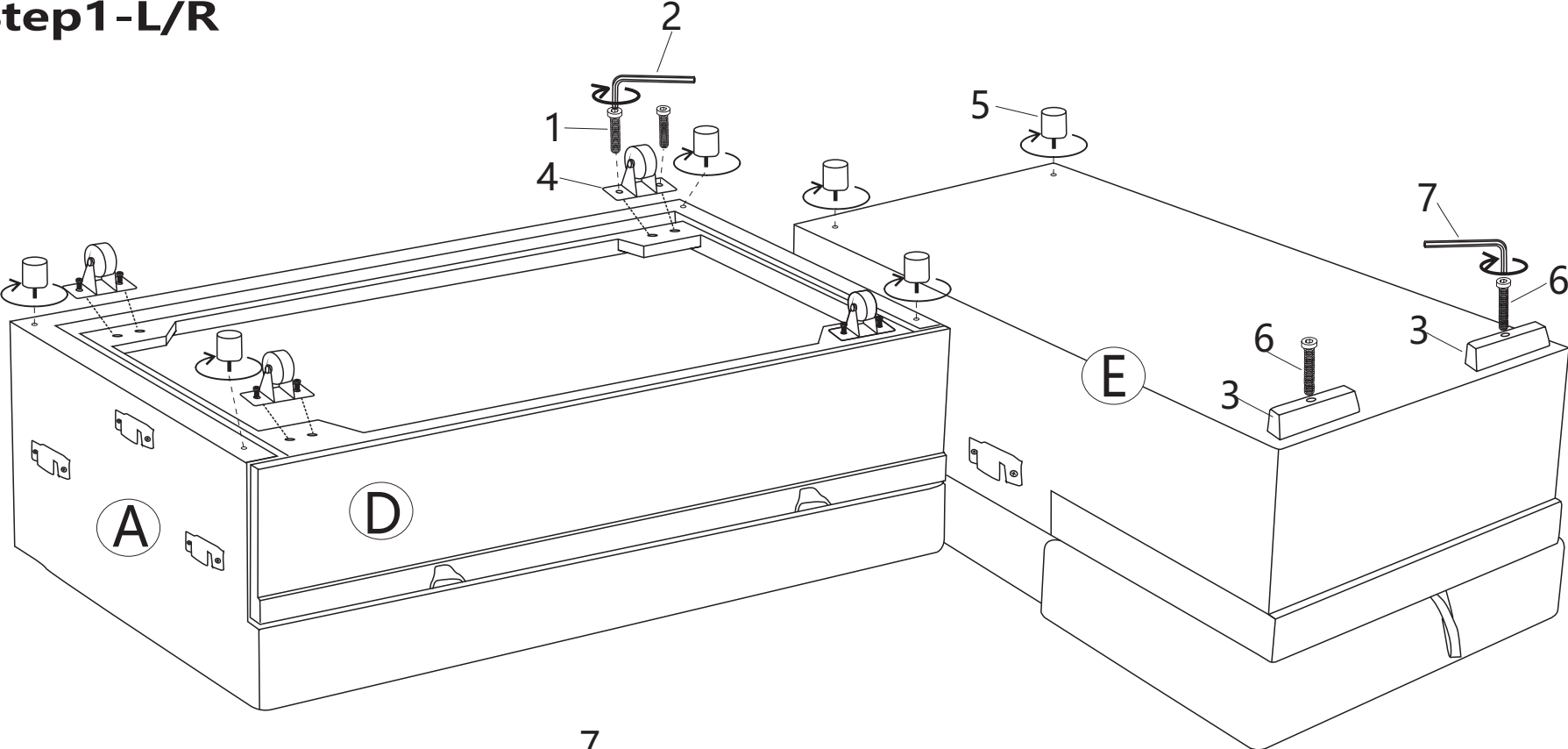
BOX -3 HARDWARE LIST



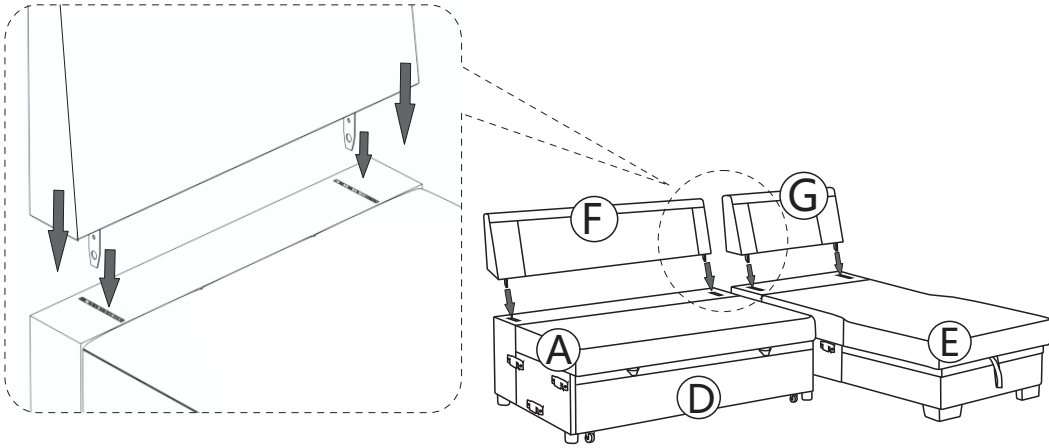
Unpacking steps:

1. BOX-2
2. BOX-1
3. BOX-3

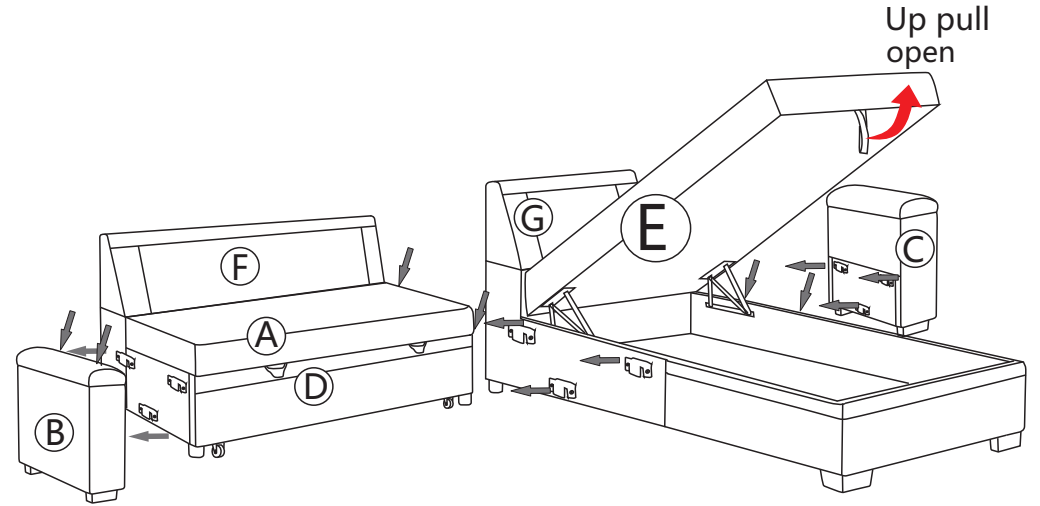
Step1-L/R



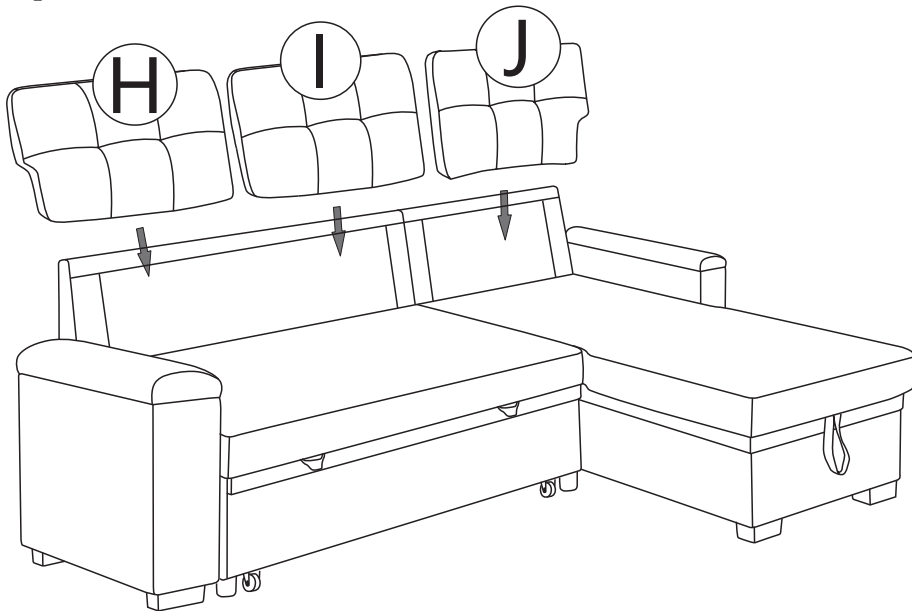
Step2-L/R



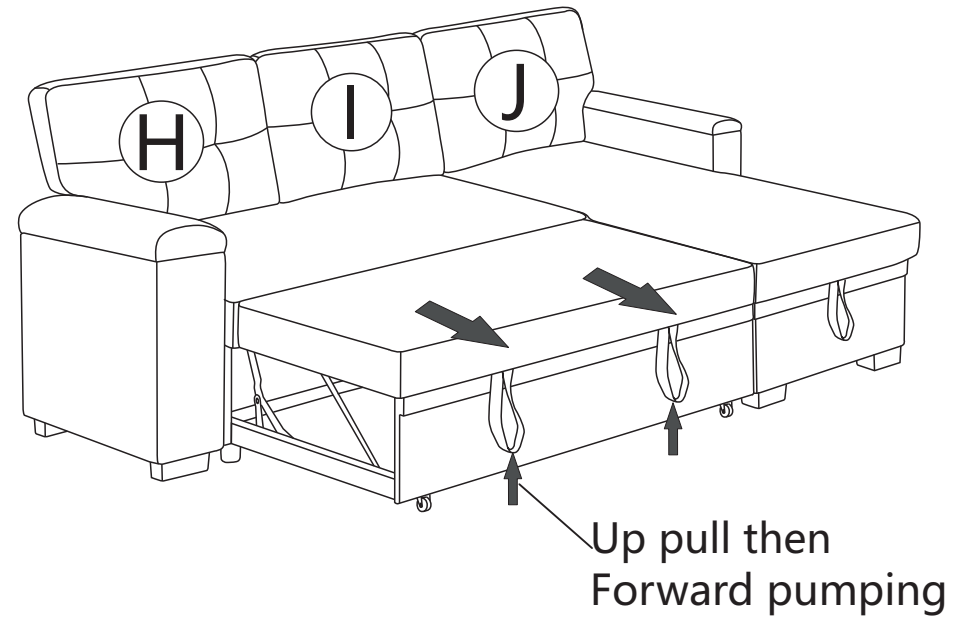
Step3-R



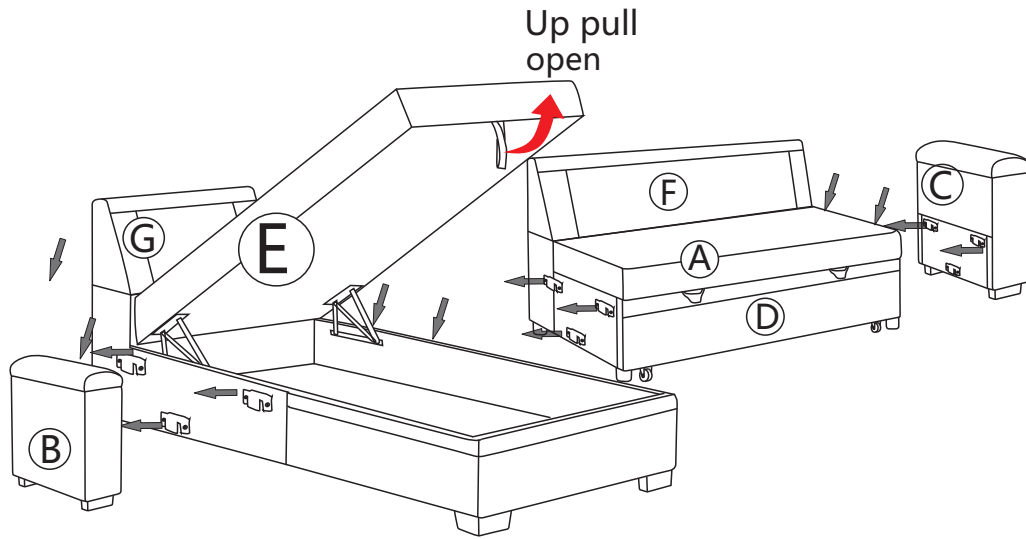
Step4-R



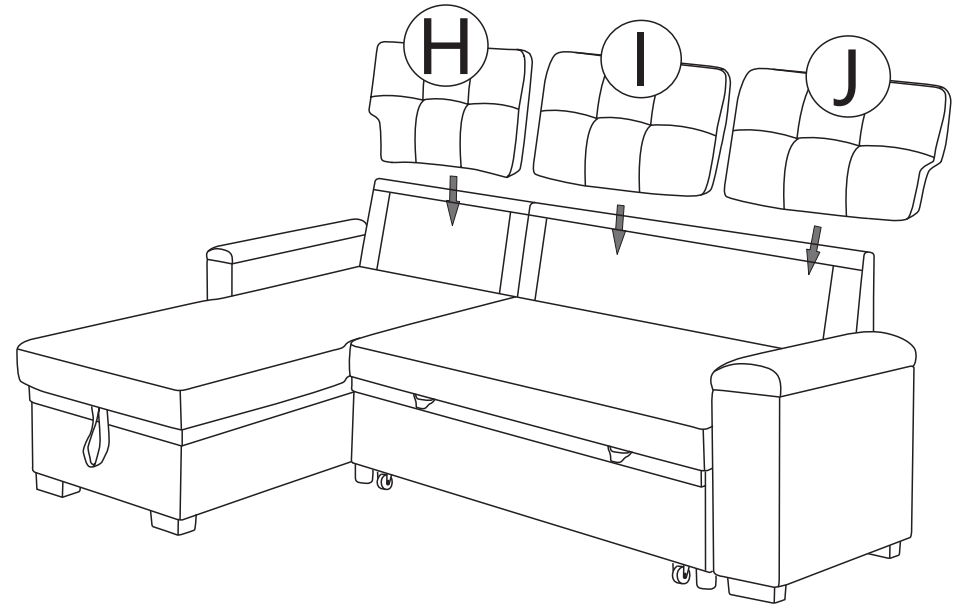
Step5-R



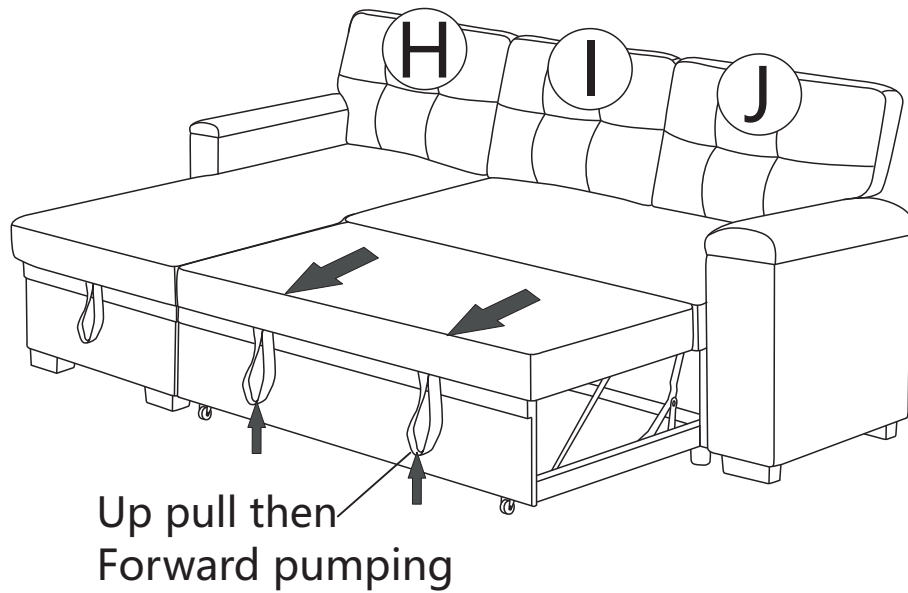
Step3-L



Step4-L



Step5-L



Step6-L

