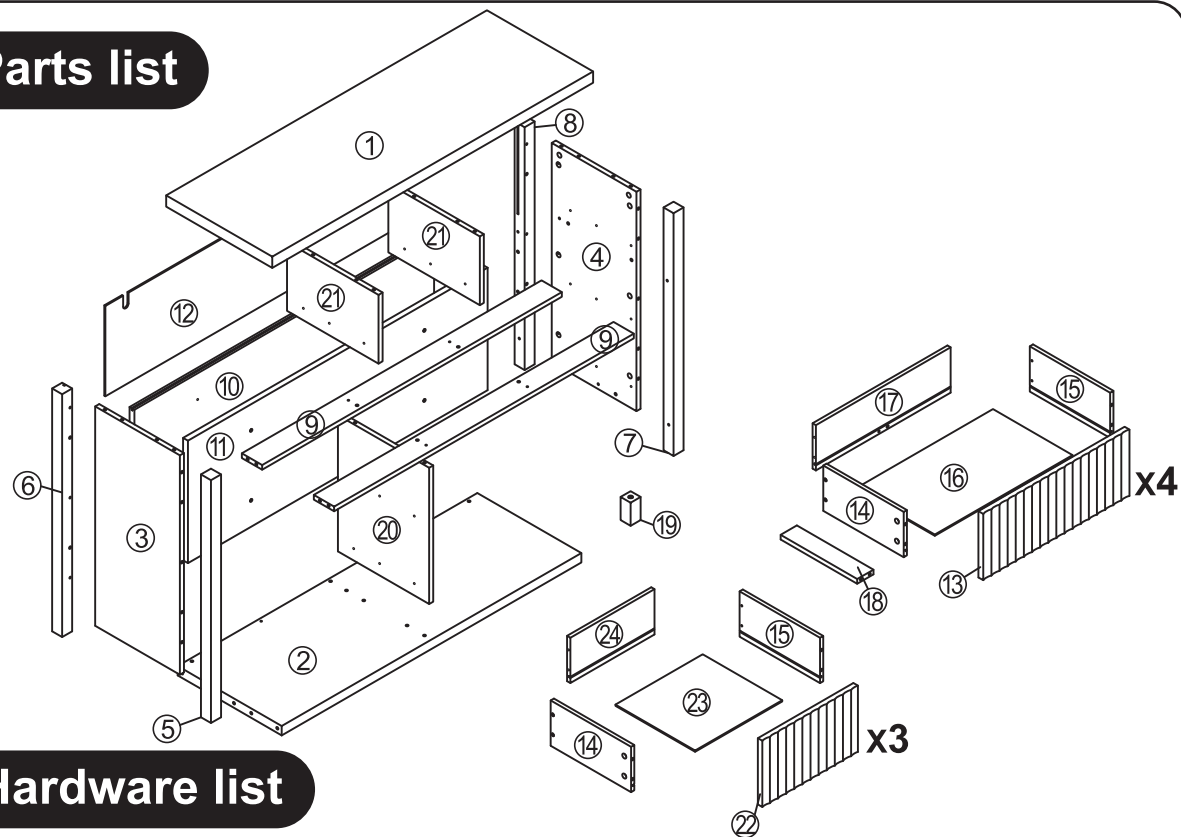















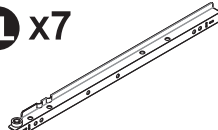
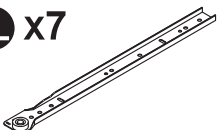
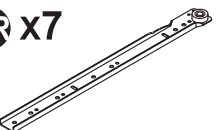
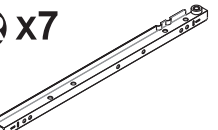


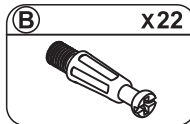
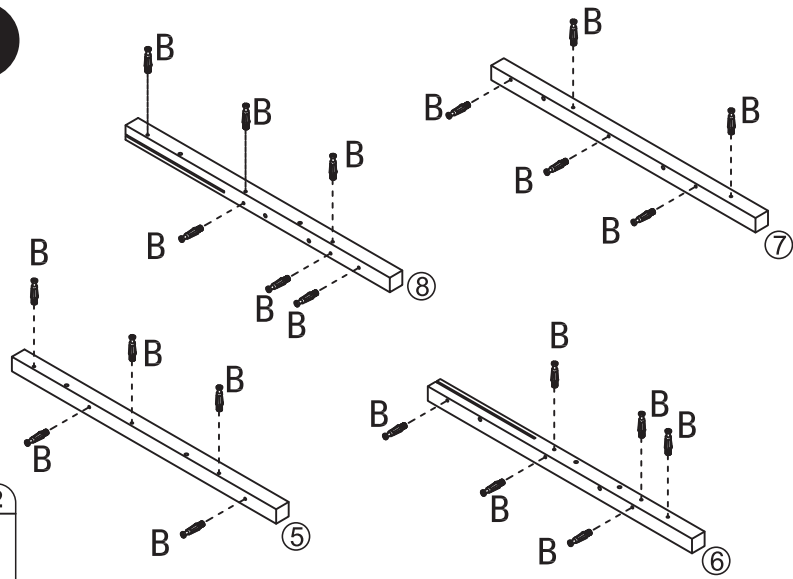
Parts list



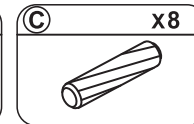
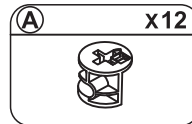
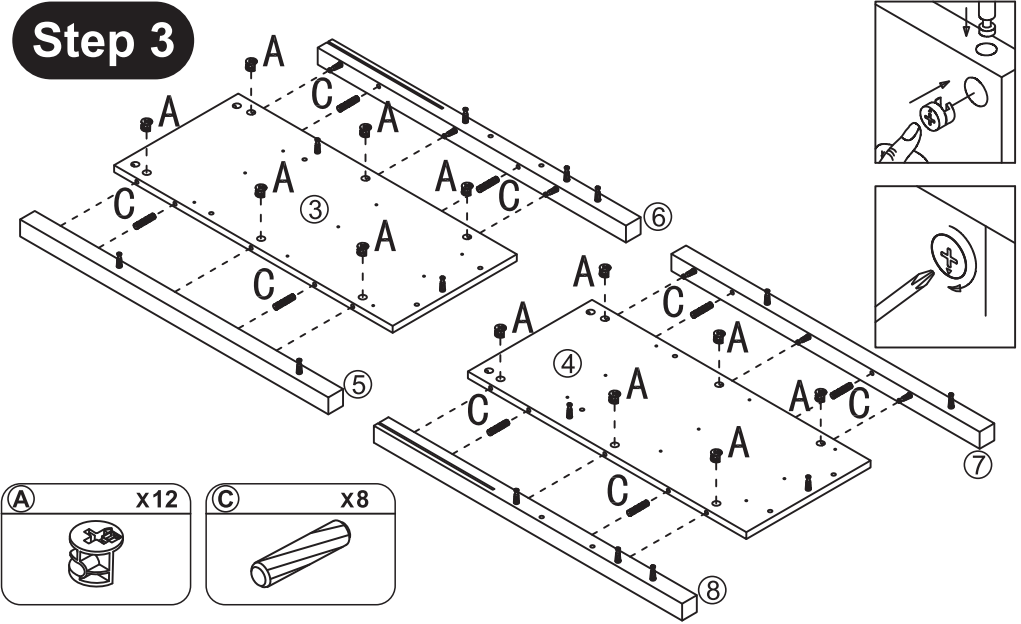
Hardware list

A x68 	B x68 	C x47 ϕ 8*30MM 	D x98 ϕ 3.5*12MM 	E x40 ϕ 4*30MM 
F x4 ϕ 4.2*50MM 	G x2 ϕ 4*35MM 	H x2 ϕ 4*15MM 	I x2 	J x2 
K x54 	L x7 	M x1 	N x4 ϕ 3*16MM 	O x4 
DL x7 	CL x7 	CR x7 	DR x7 	

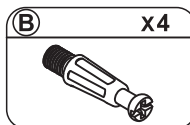
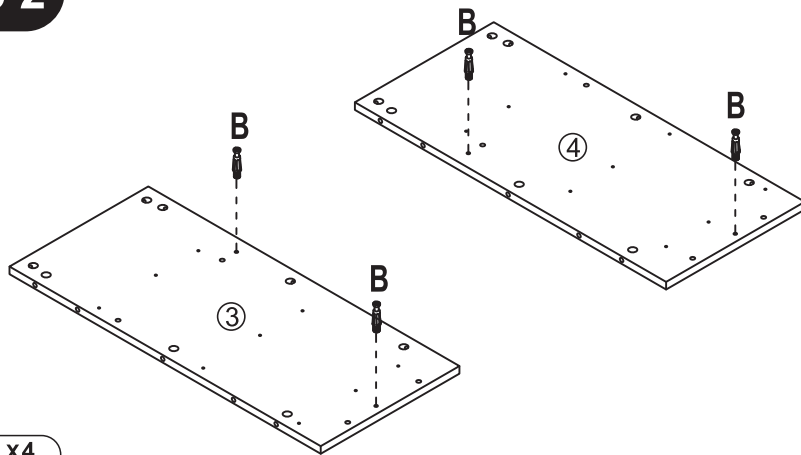
Step 1



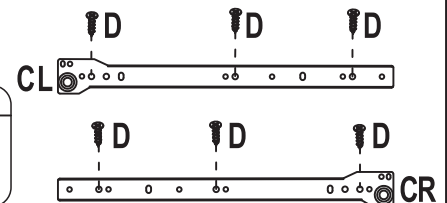
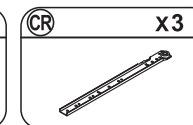
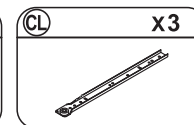
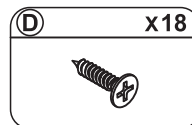
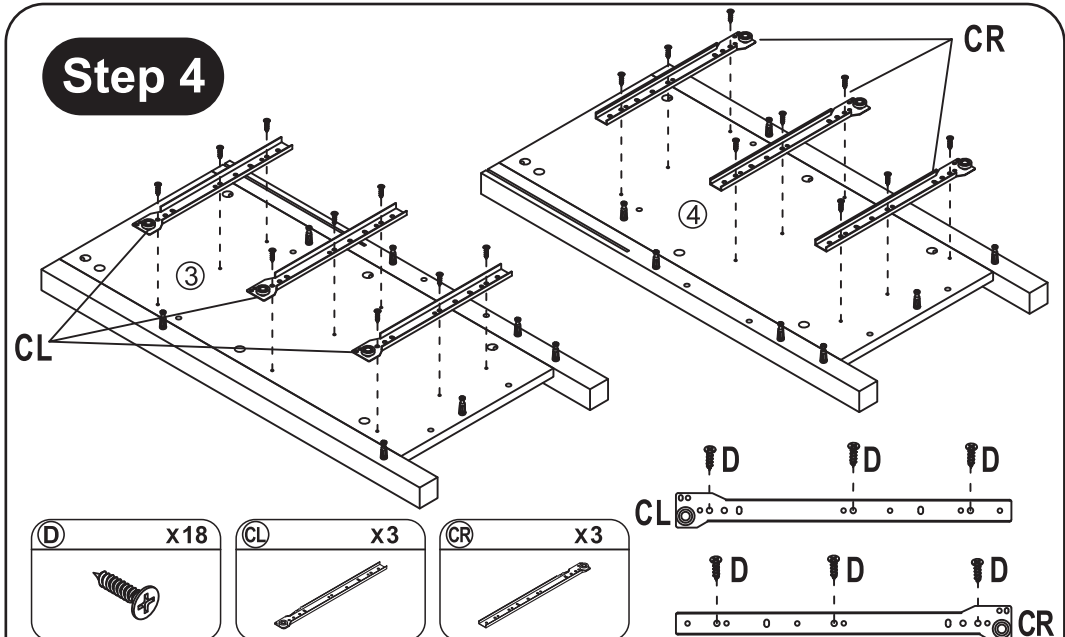
Step 3



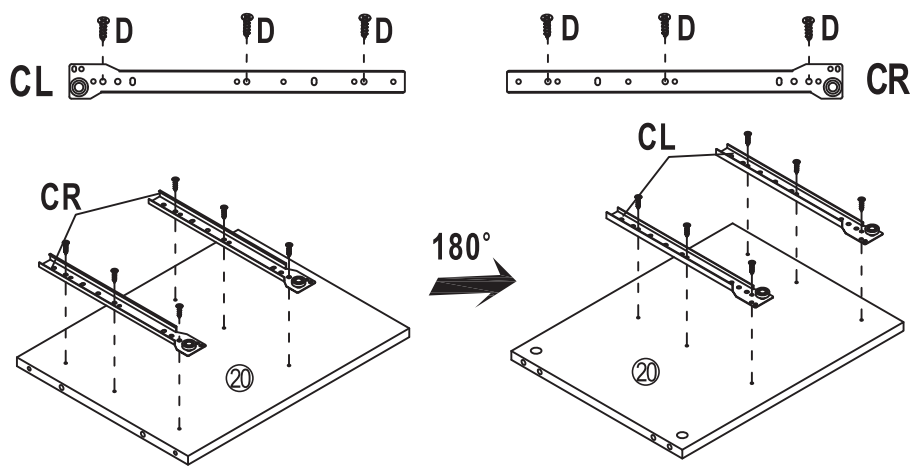
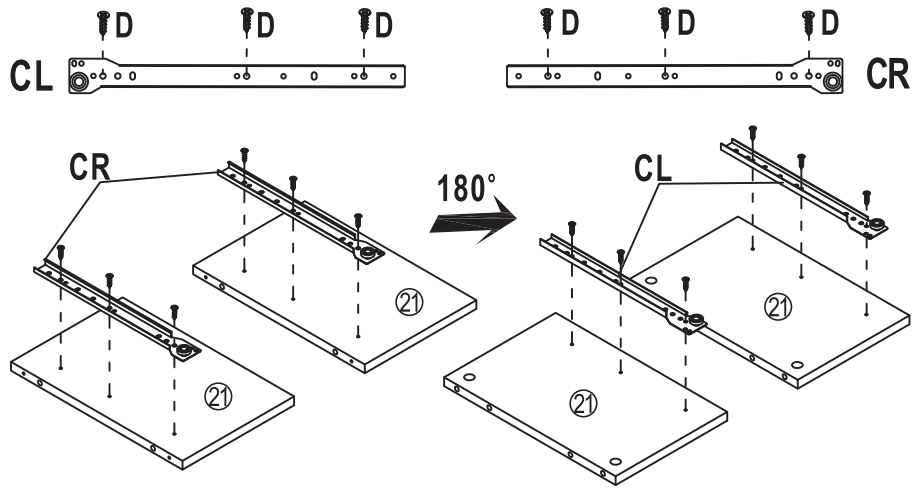
Step 2



Step 4

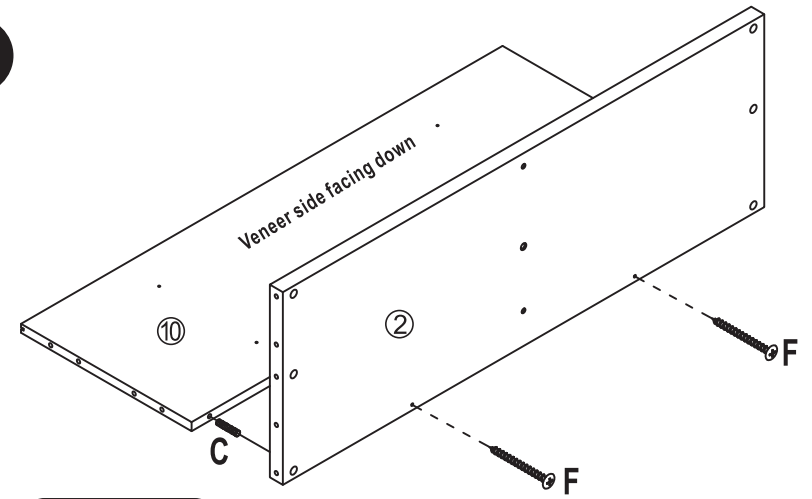


Step 5



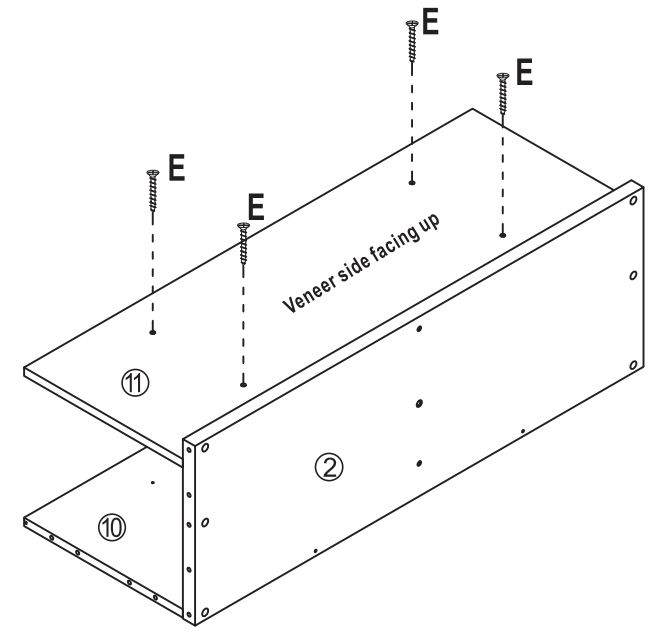
- D
x24
- CL
x4
- CR
x4

Step 6



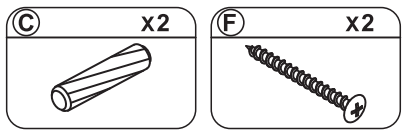
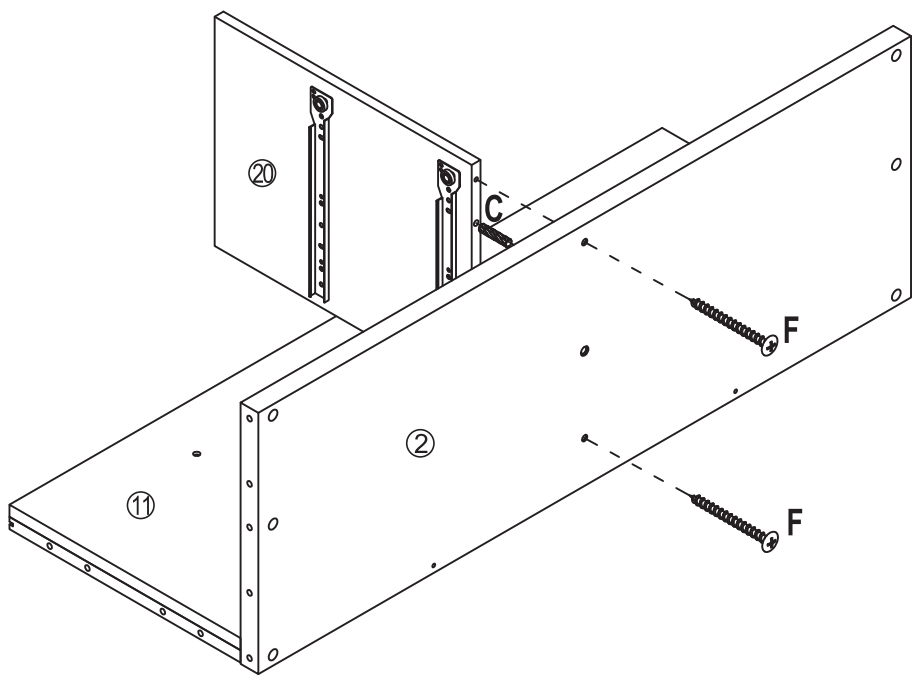
- C
x3
- F
x2

Step 7

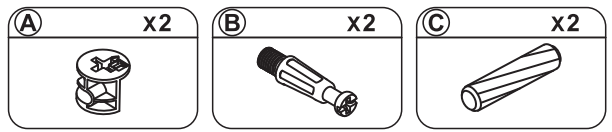
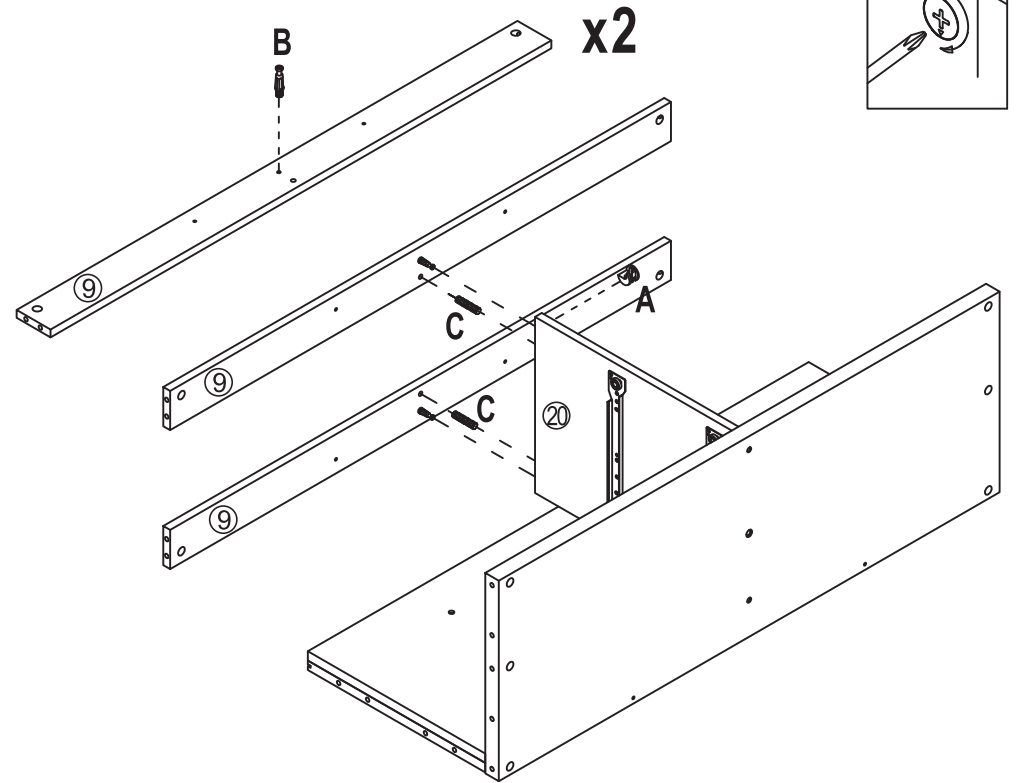


- E
x4

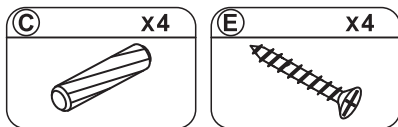
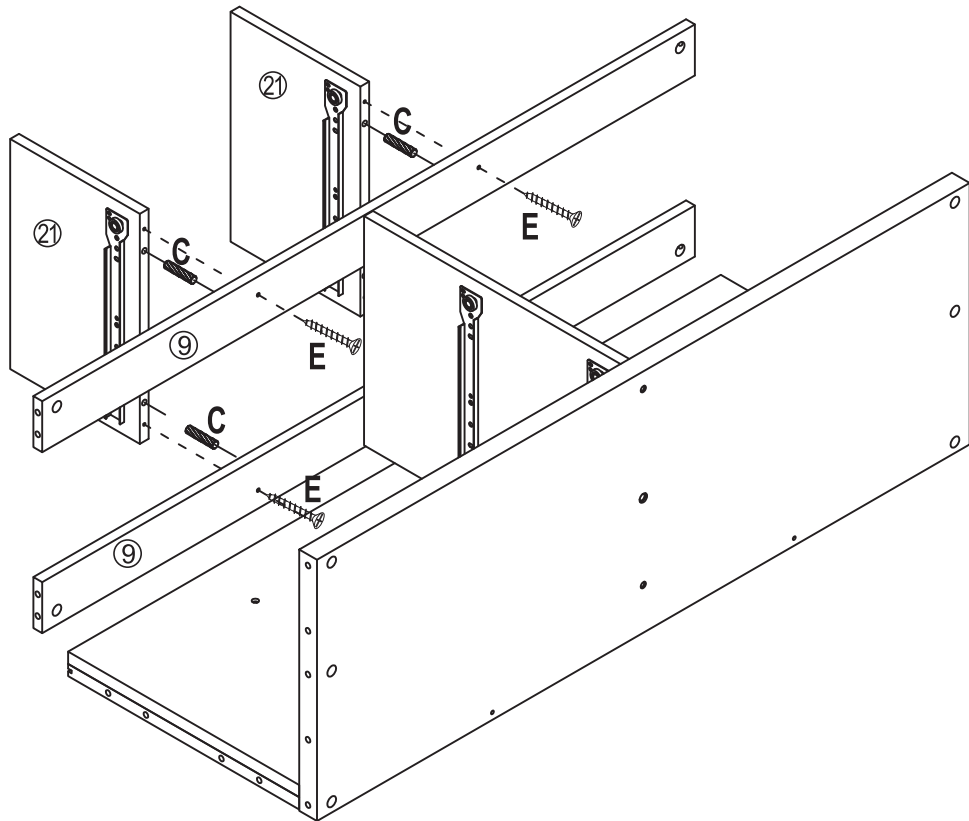
Step 8



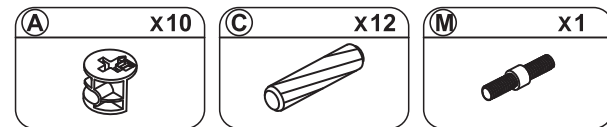
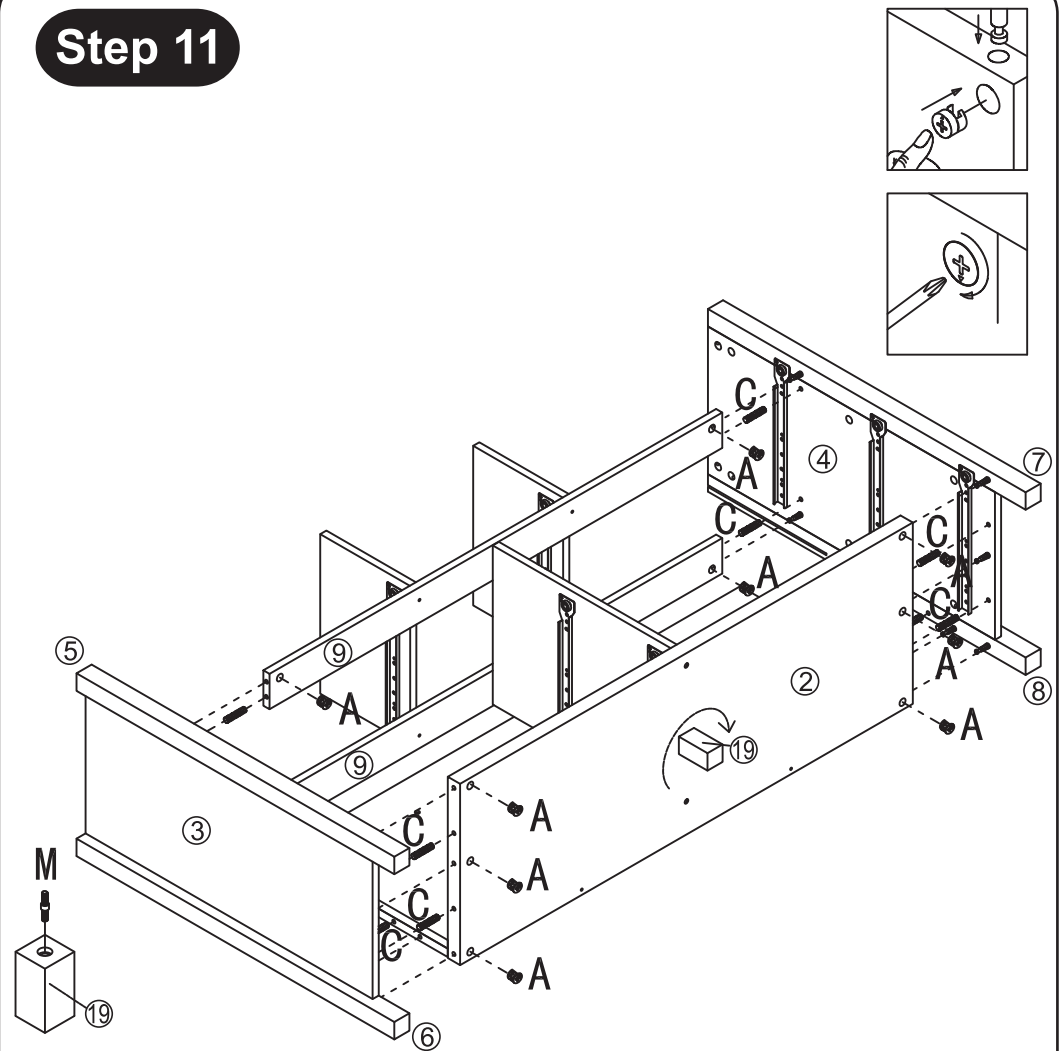
Step 9



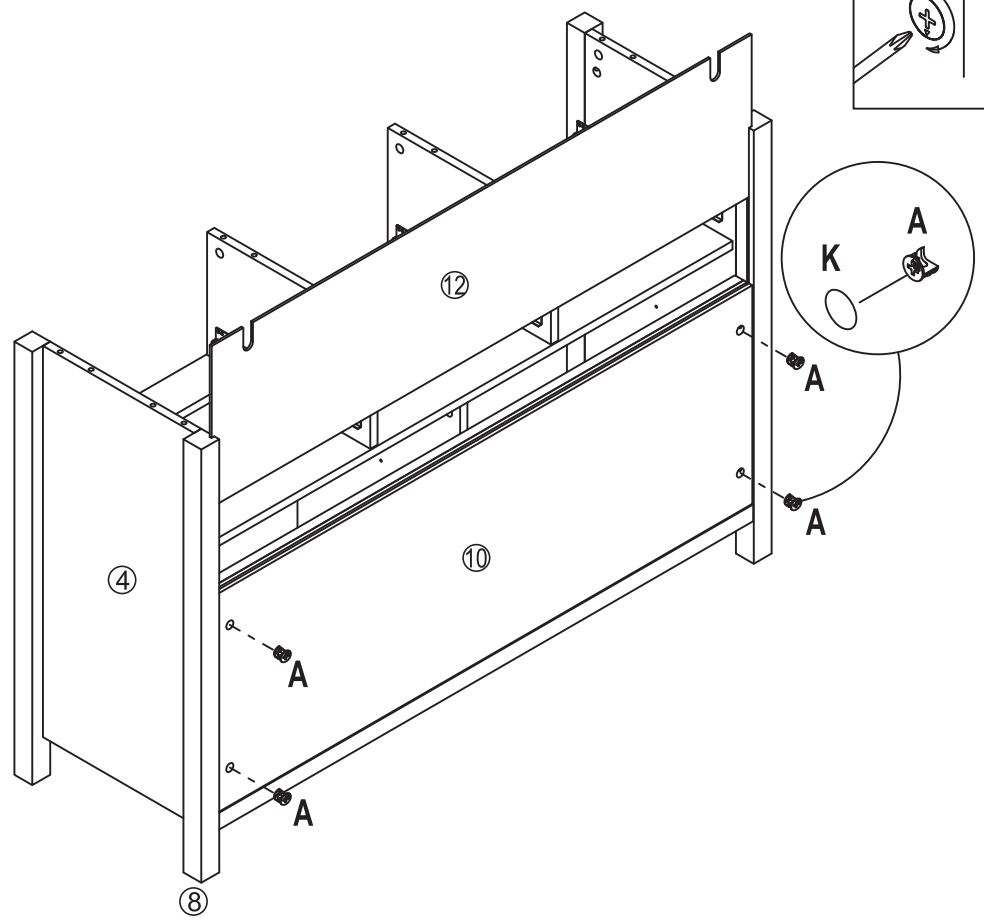
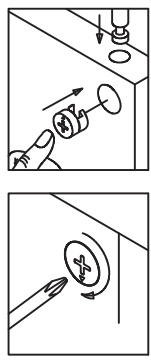
Step 10



Step 11

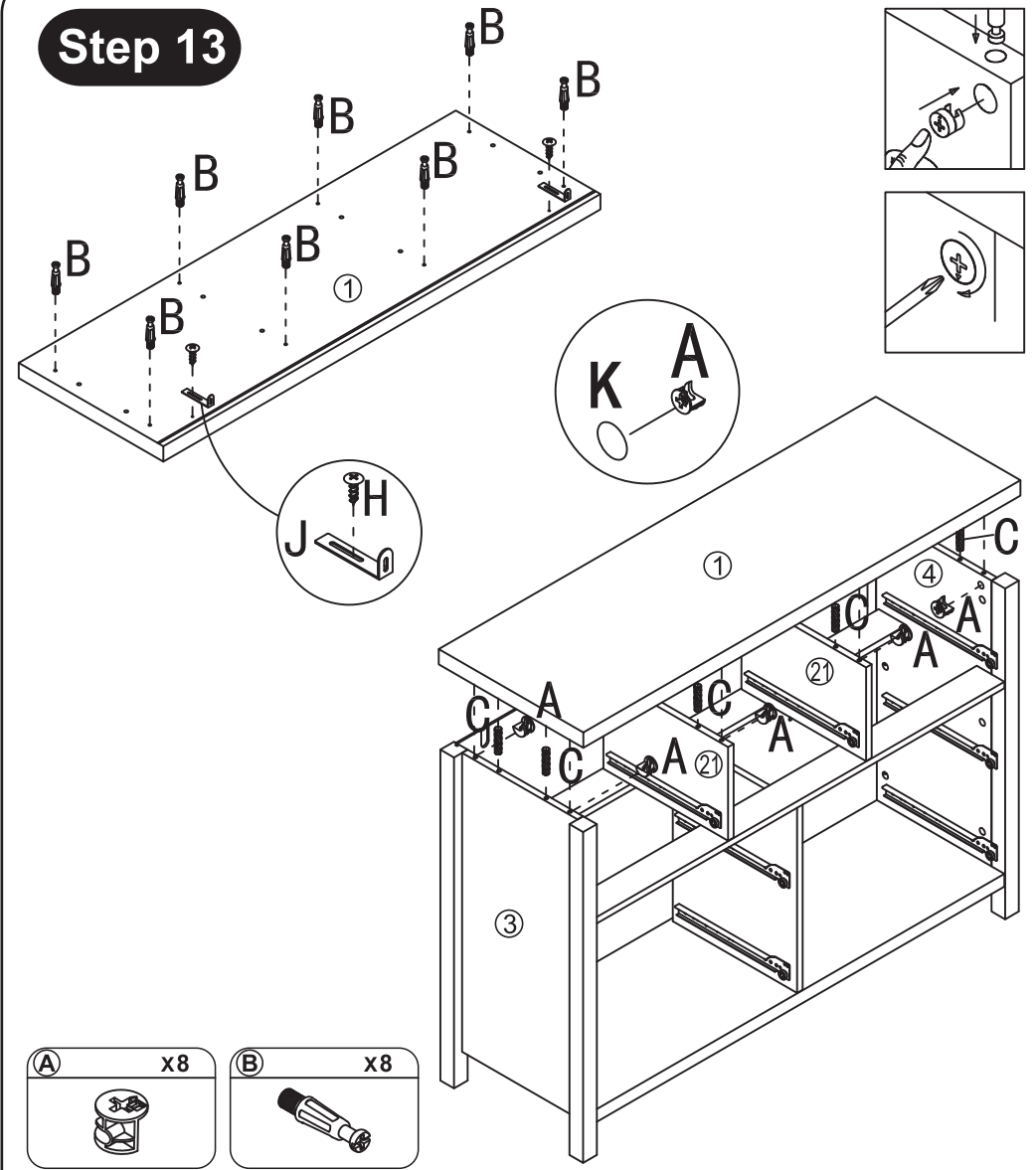
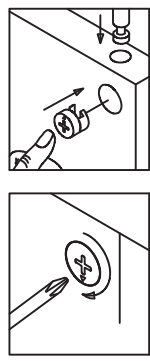


Step 12



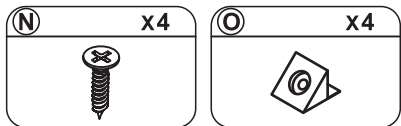
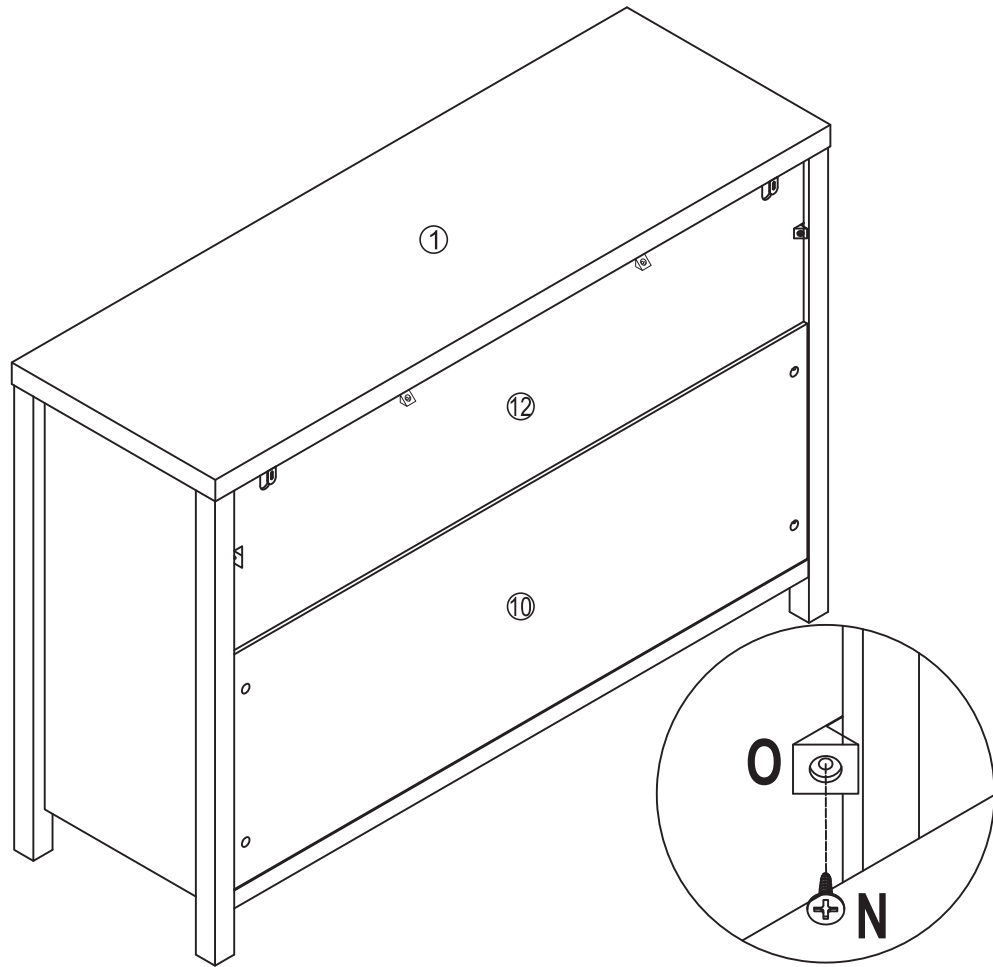
- A x4
- K x4

Step 13

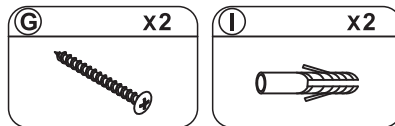
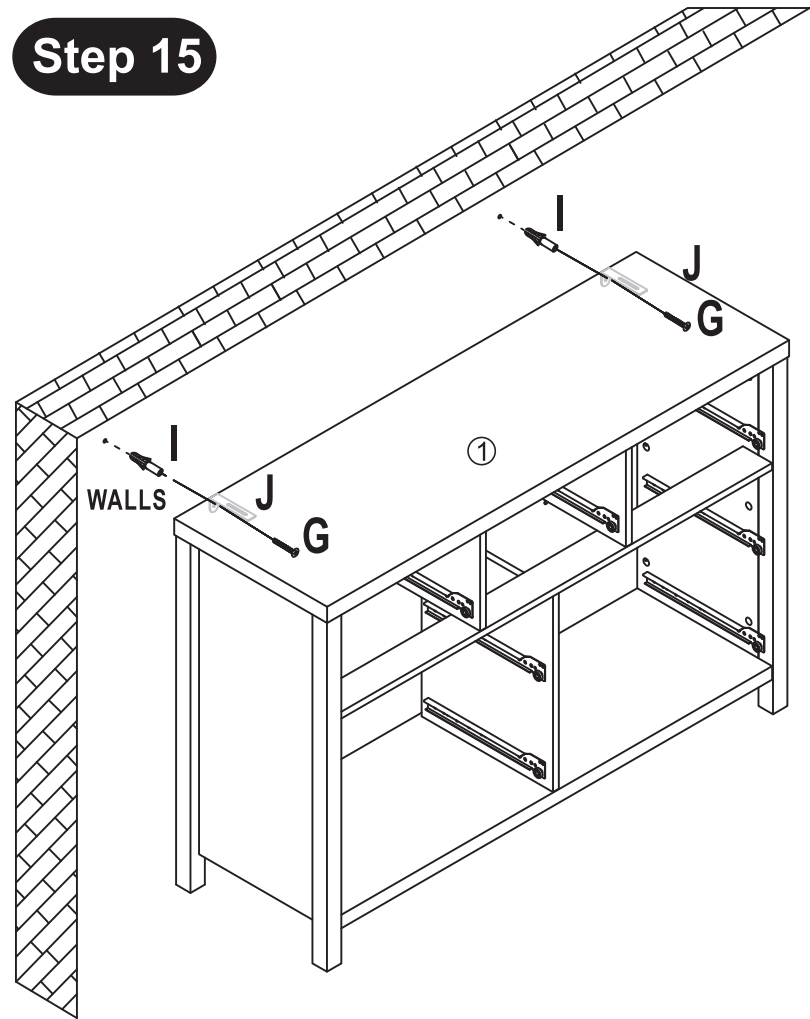


- A x8
- B x8
- C x8
- H x2
- J x2
- K x22

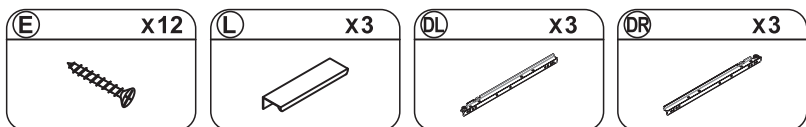
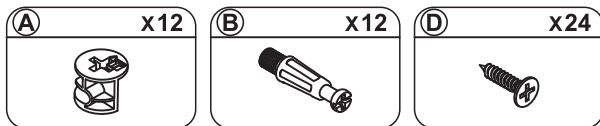
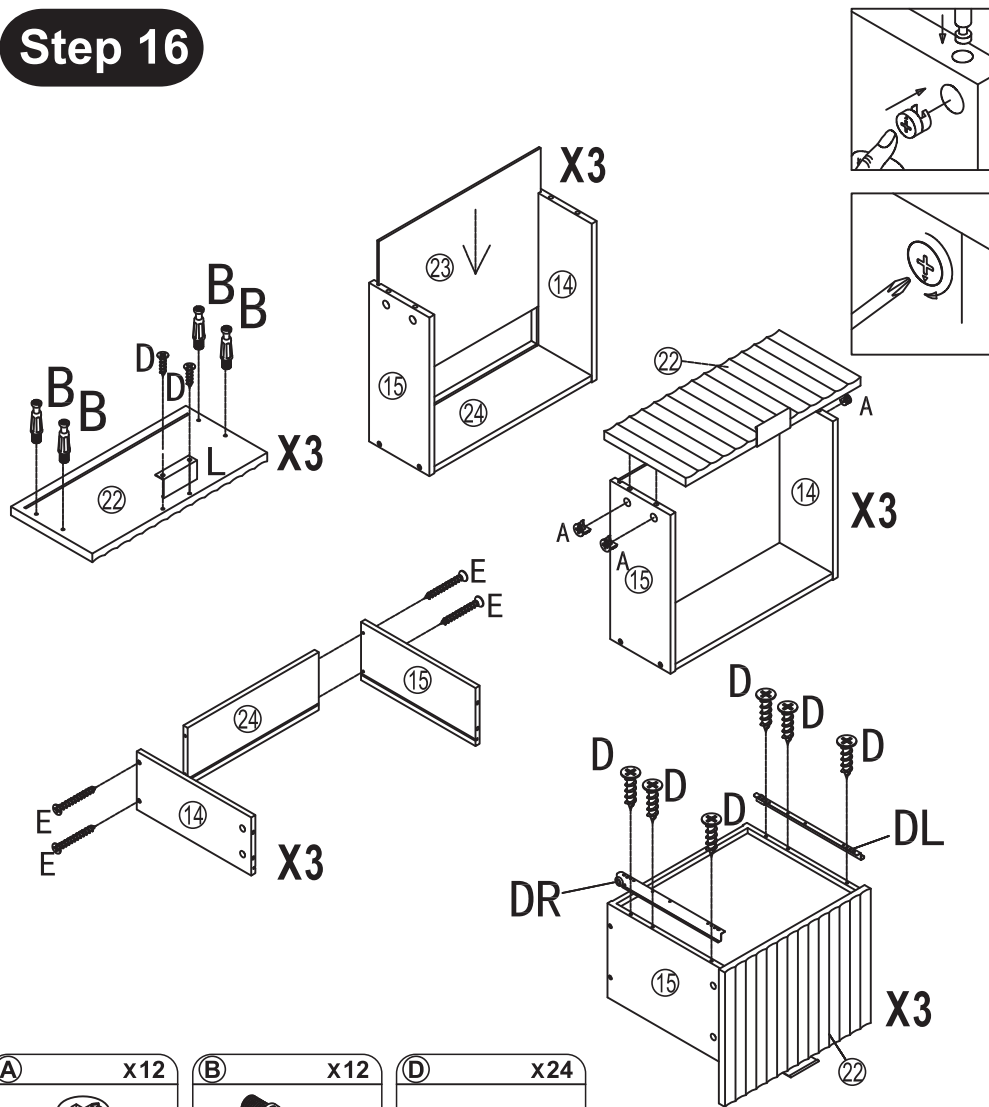
Step 14



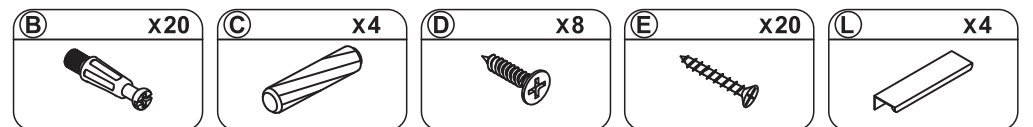
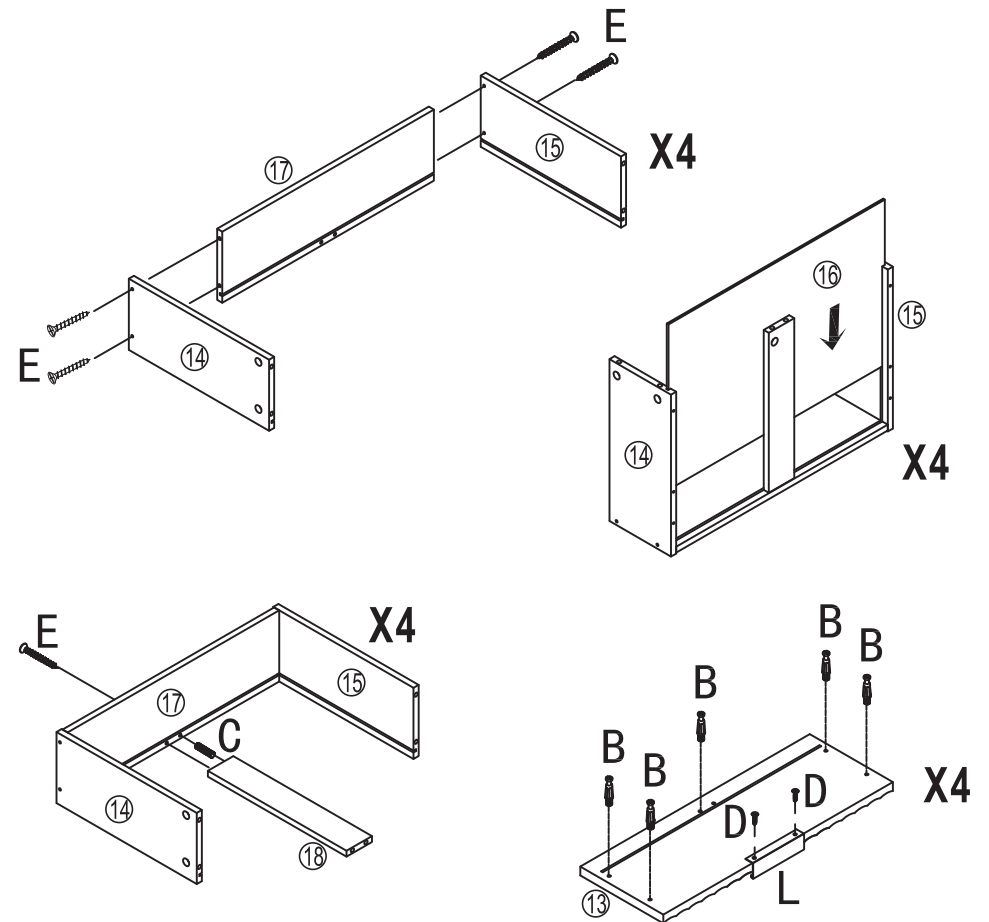
Step 15



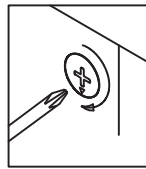
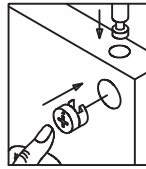
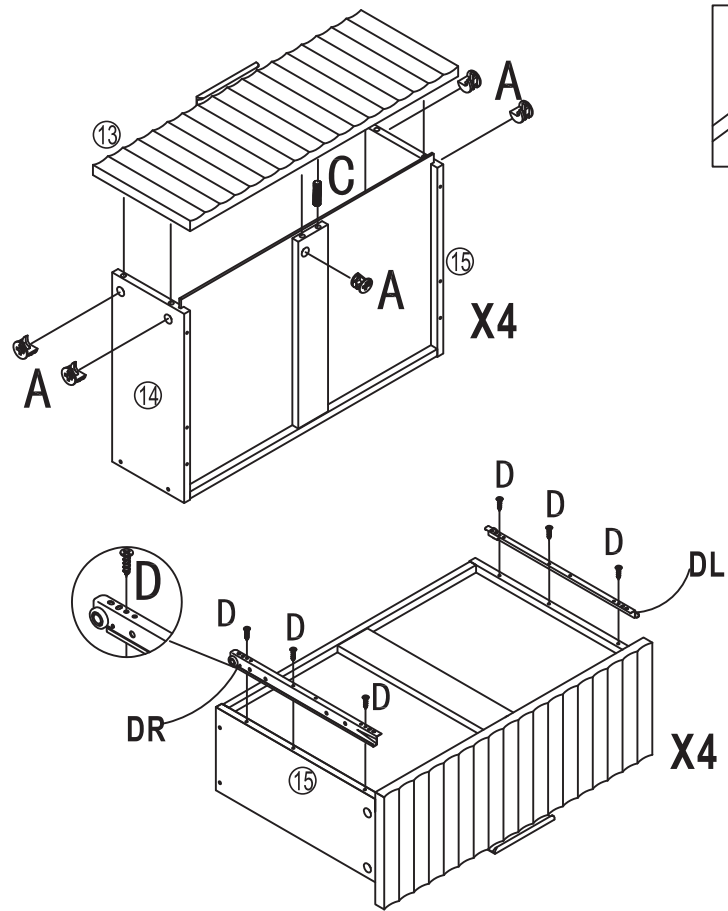
Step 16



Step 17



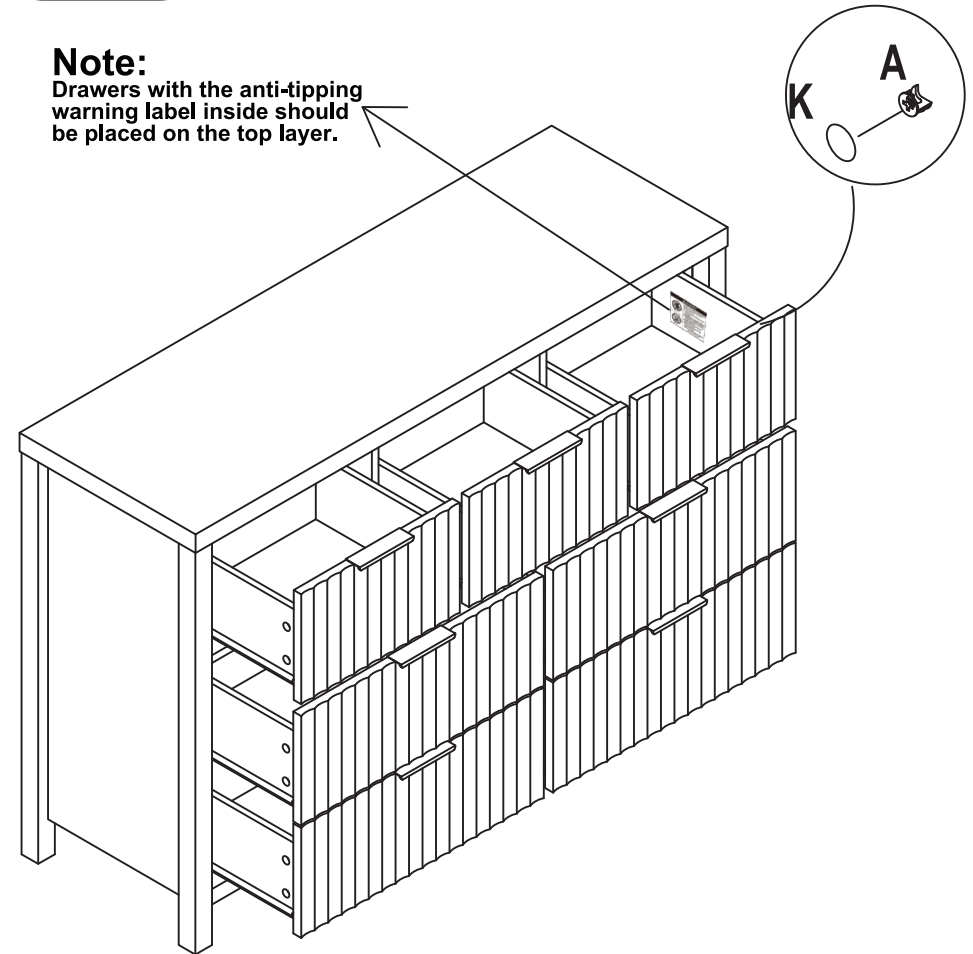
Step 18



(A)	x20	(C)	x4	(D)	x24	(DL)	x4	(DR)	x4

Step 19

Note:
Drawers with the anti-tipping warning label inside should be placed on the top layer.



(K)	x28

WARNING



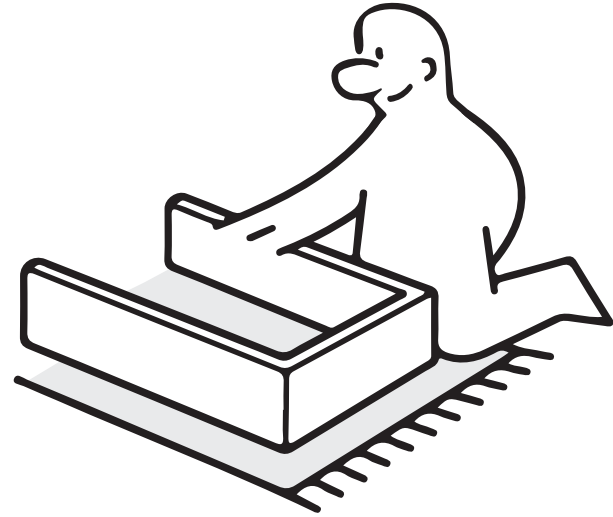
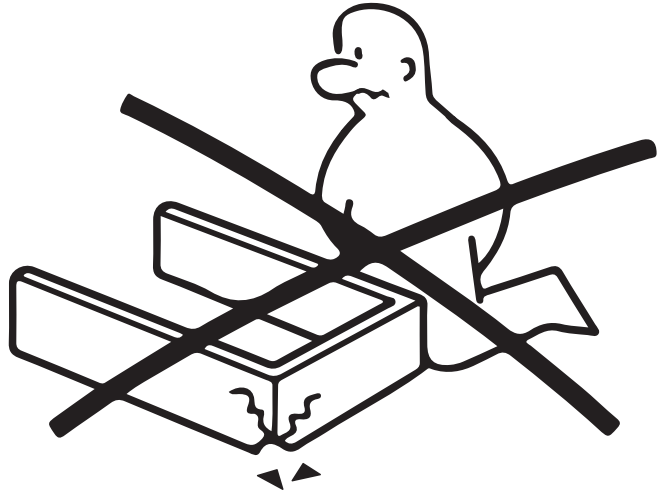
**Children have died from furniture tipover.
To reduce the risk of furniture tipover:**

- **ALWAYS** install Anti-tip device provided.
- **NEVER** put a TV on this product.
- **NEVER** allow children to stand, climb or hang on any drawers, doors, or shelves.
- **NEVER** open more than one drawer at a time.
- Place heaviest items in the lowest drawers.



***This is a permanent label.
Do not remove!***

※ **Stay Scratch-Free: Safeguard Your Furniture by Assembling on Carpet.**



※ **Stuck in Assembly Limbo? Check out our website or contact our support team for quick solutions!**

