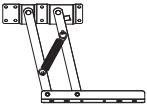

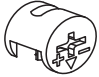






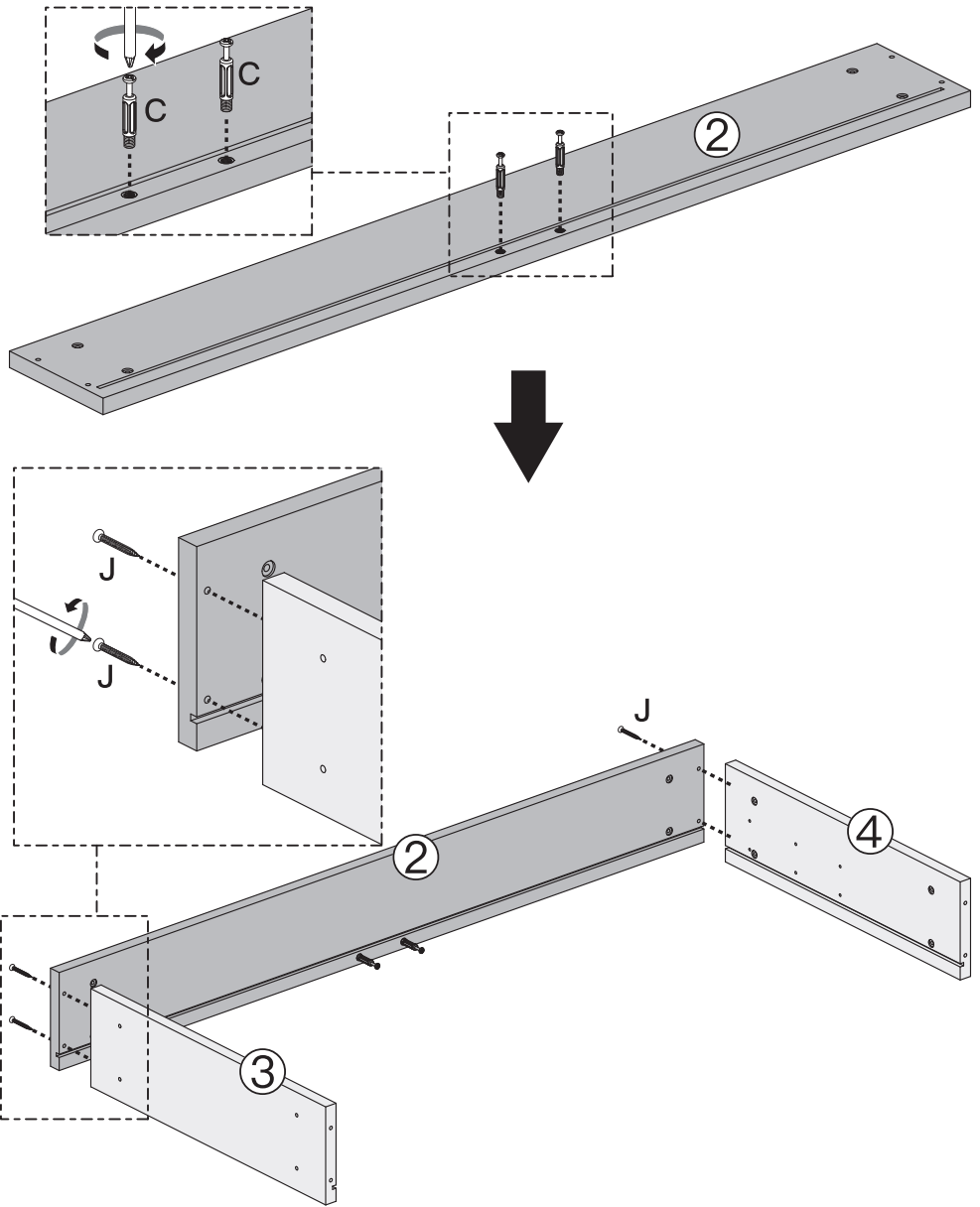
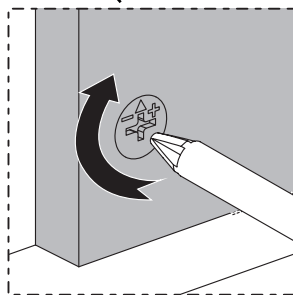
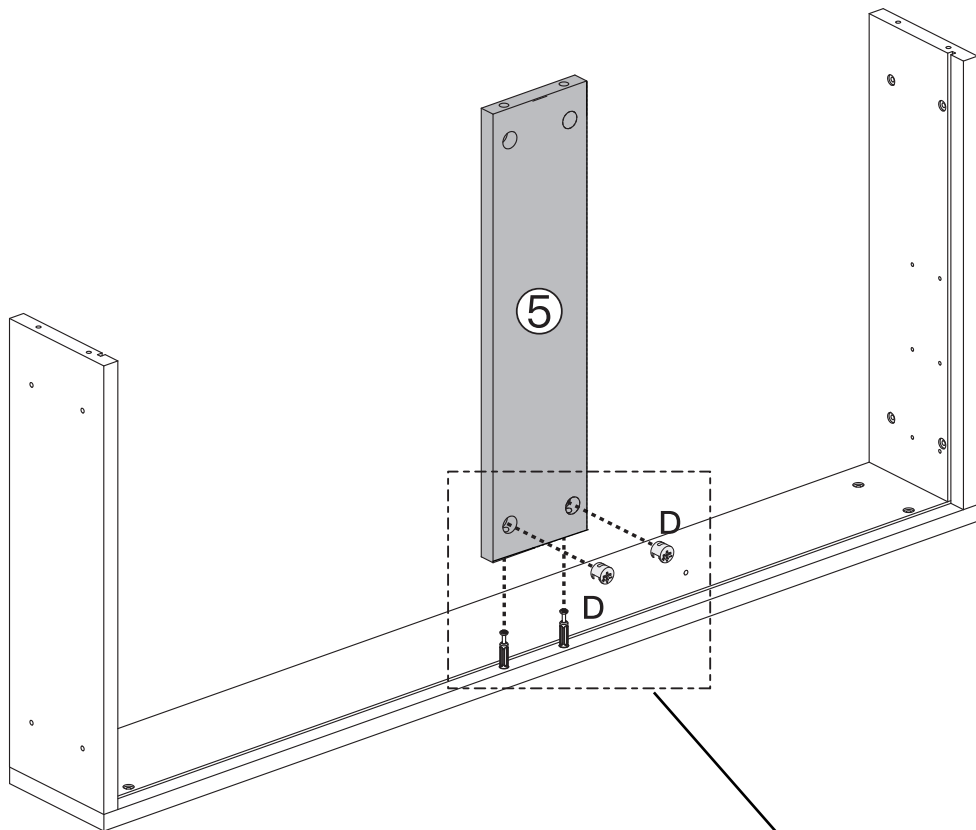
 <p>A*1</p>	 <p>B*1</p>	 <p>C*24</p>	 <p>D*24</p>	 <p>E*6</p>
 <p>F*8</p>	 <p>M6x12mm G*4</p>	 <p>M3.5x14mm H*22</p>	 <p>M3.5x25mm I*16</p>	 <p>M3.5x35mm J*8</p>

STEP 1



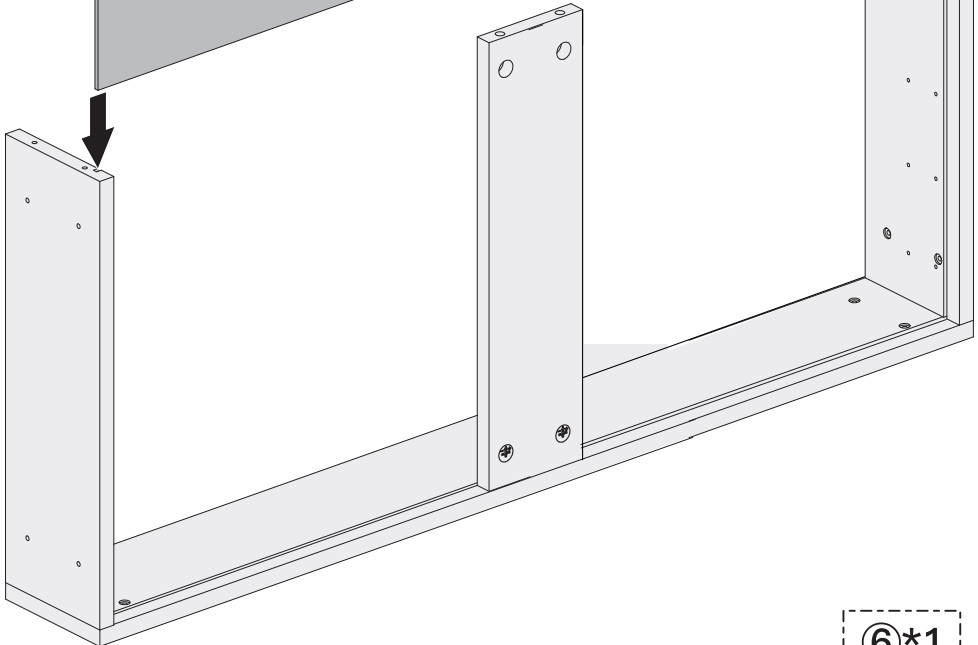
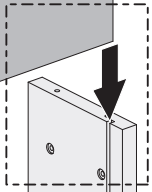
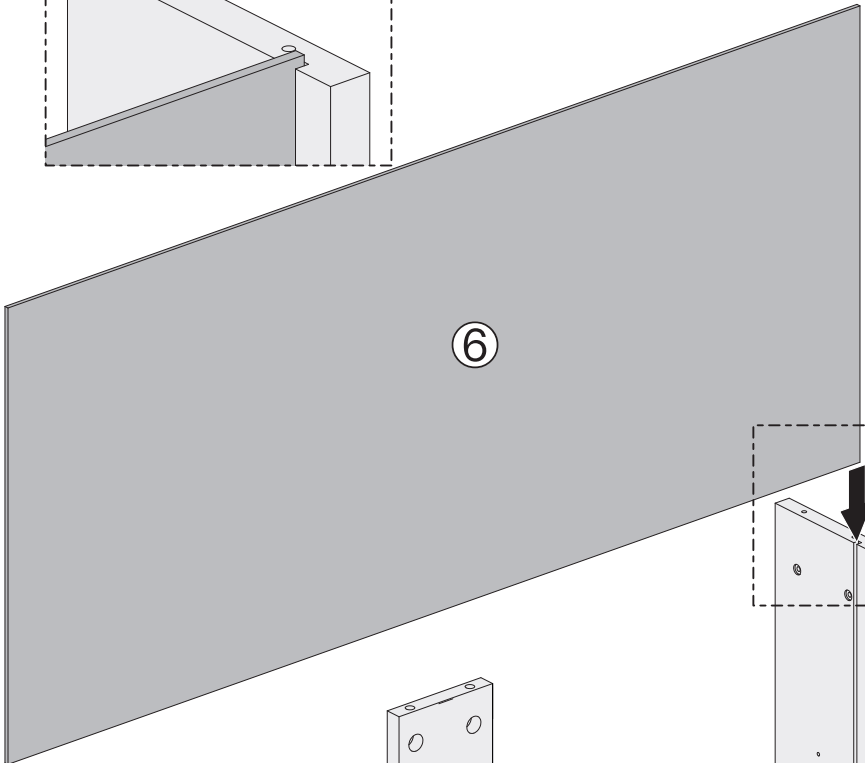
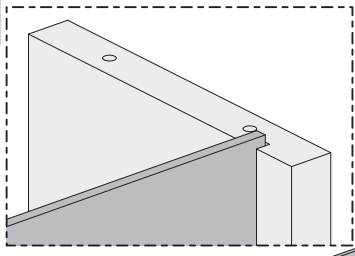
②*1 ③*1 ④*1 C*2 J*4

STEP 2



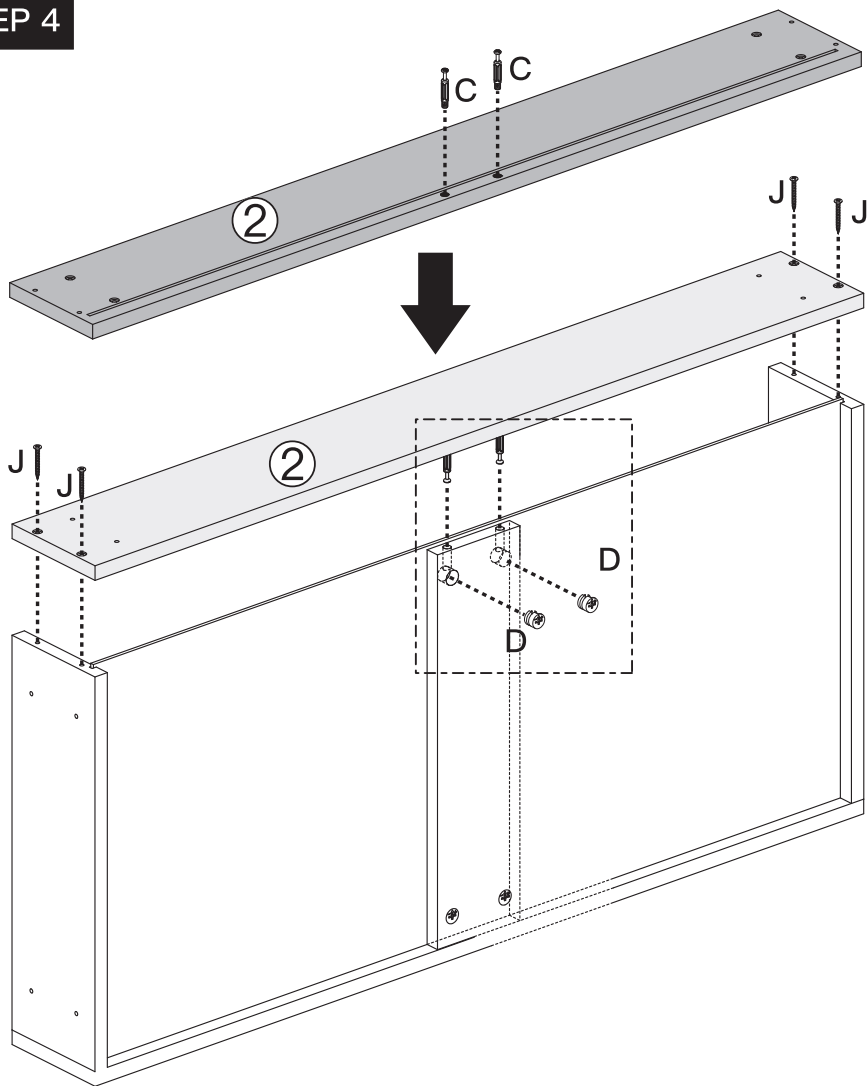
D*2

STEP 3



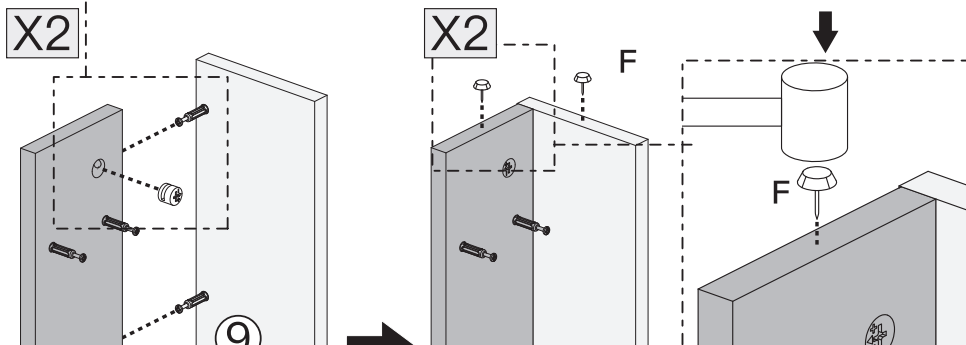
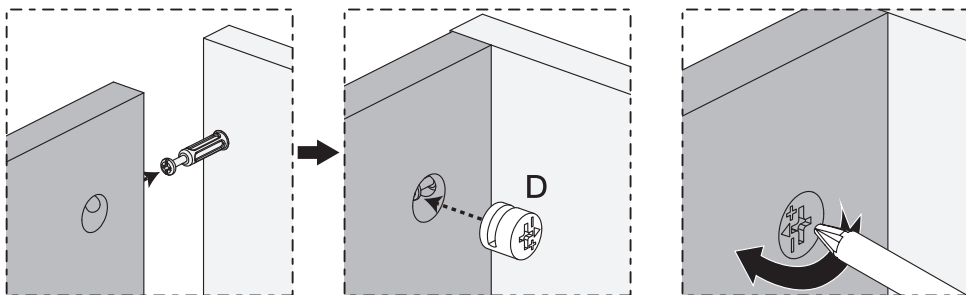
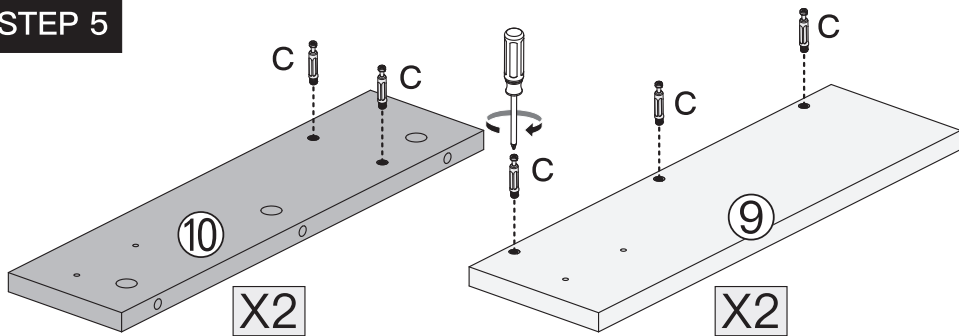
⑥*1

STEP 4



②*1 C*2 D*2 J*4

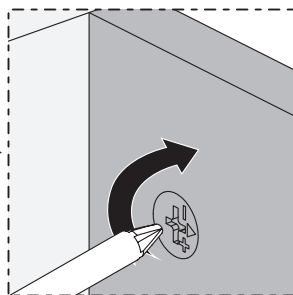
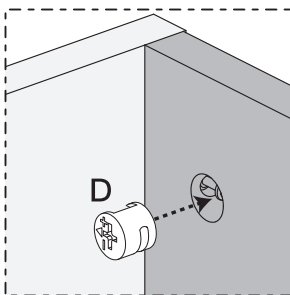
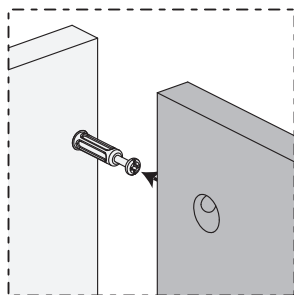
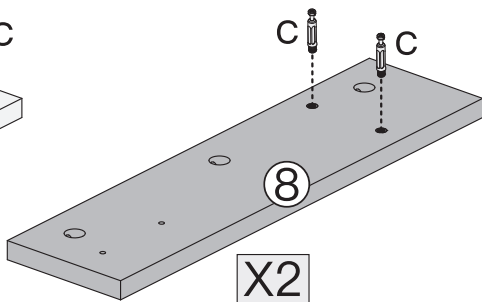
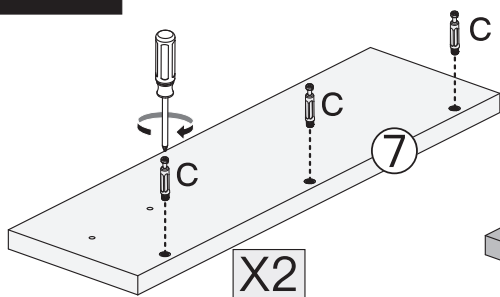
STEP 5



Make sure these holes face down in this step.

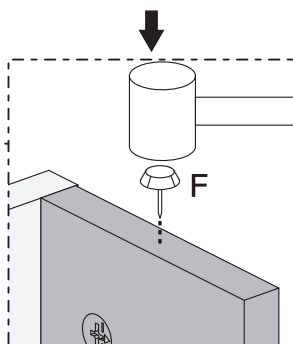
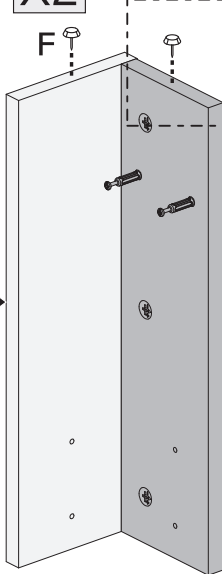
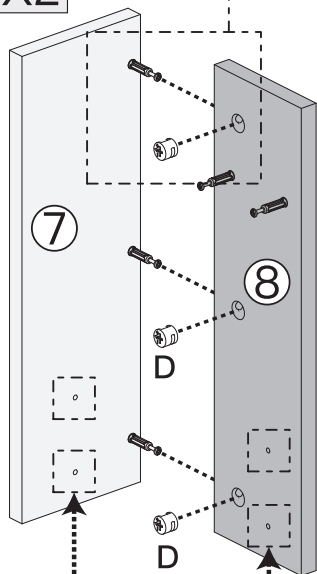
⑨*2 ⑩*2 C*10 D*6 F*4

STEP 6



X2

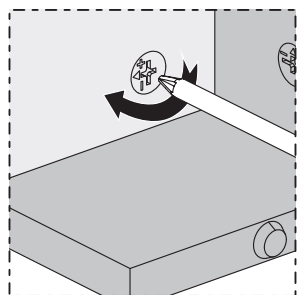
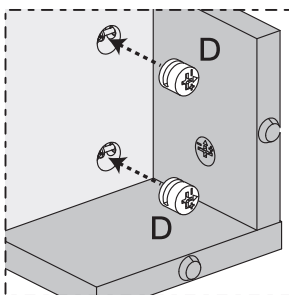
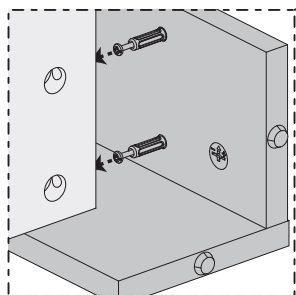
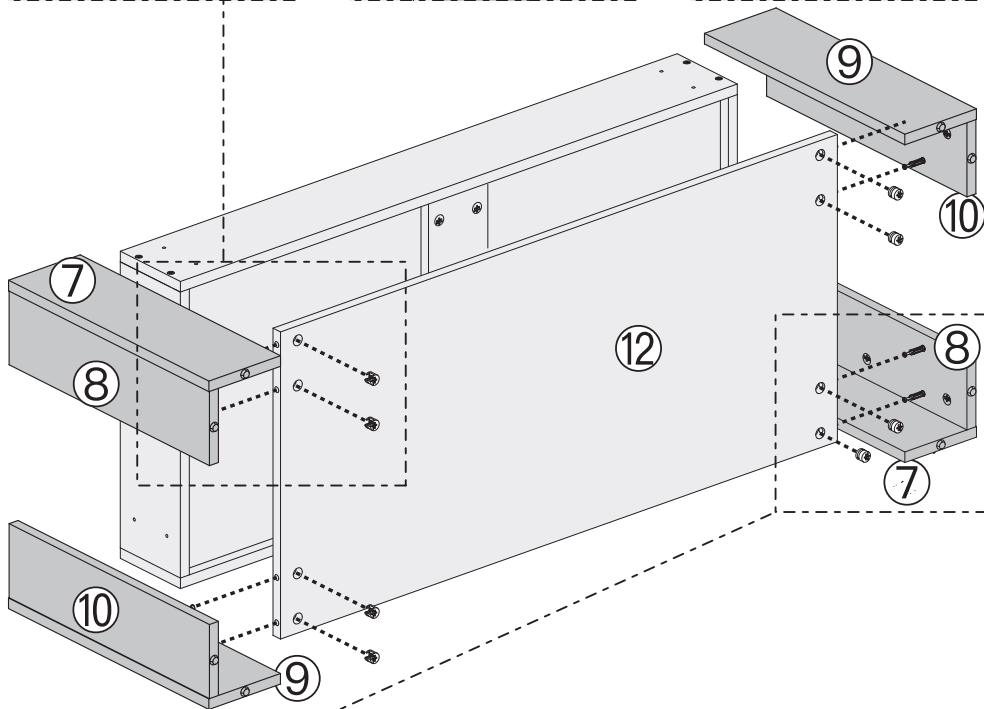
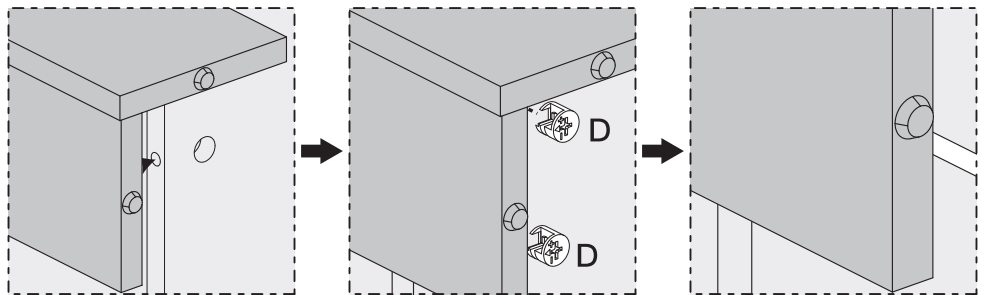
X2



Make sure these holes face down in this step.

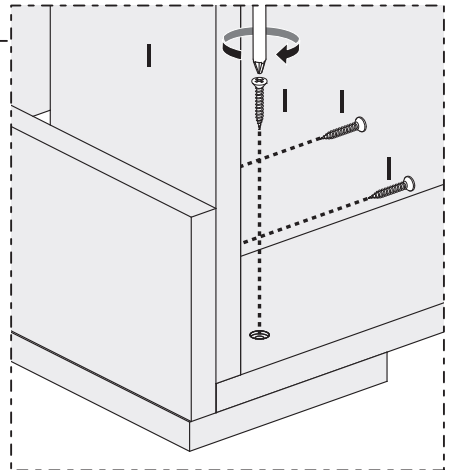
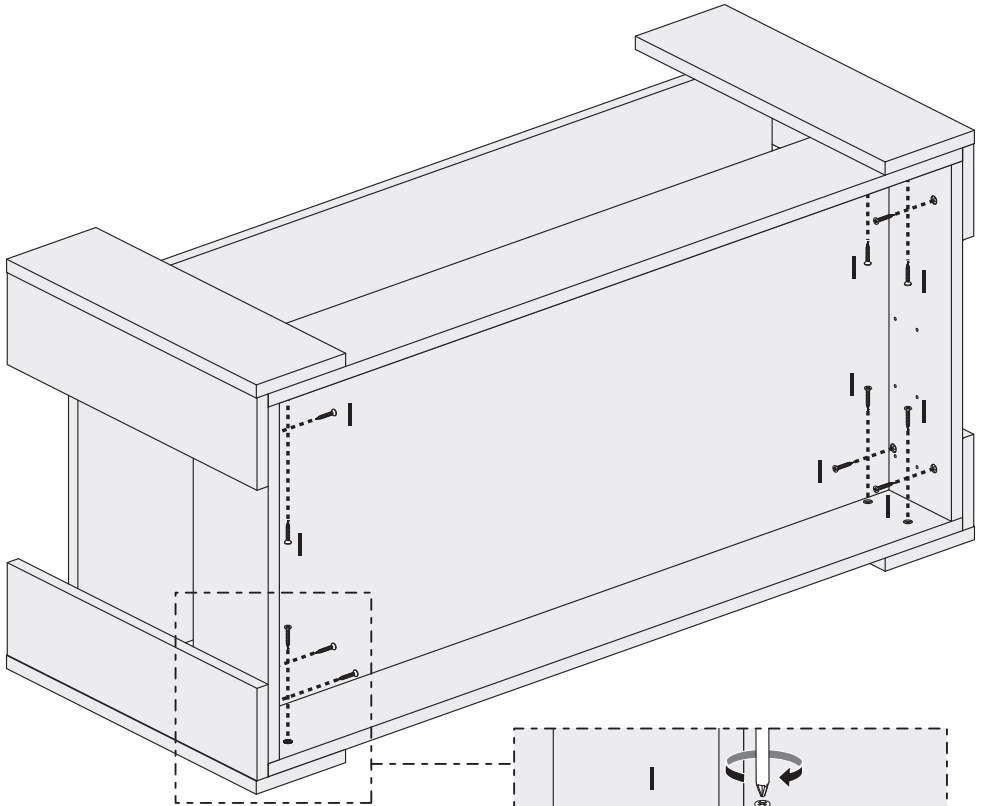
⑦*2 ⑧*2 C*10 D*6 F*4

STEP 7



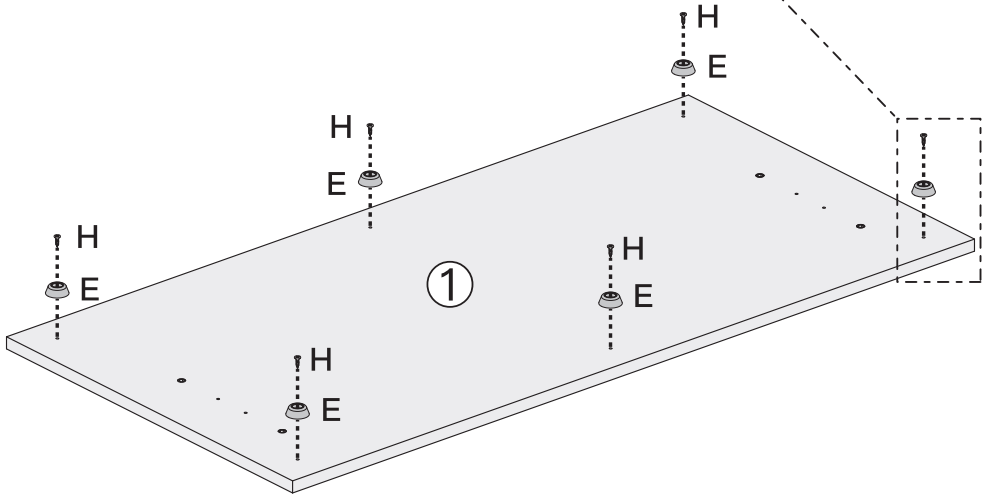
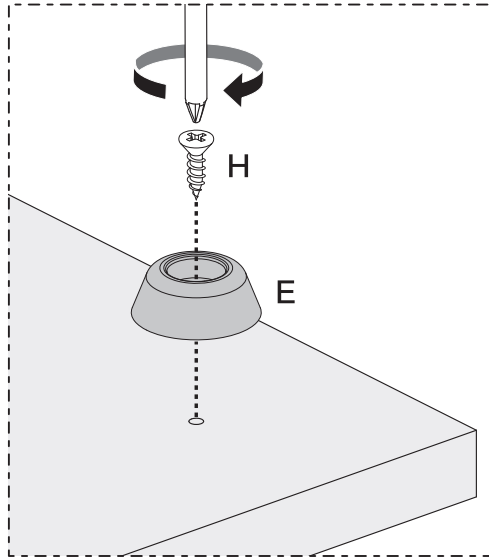
D*8

STEP 8



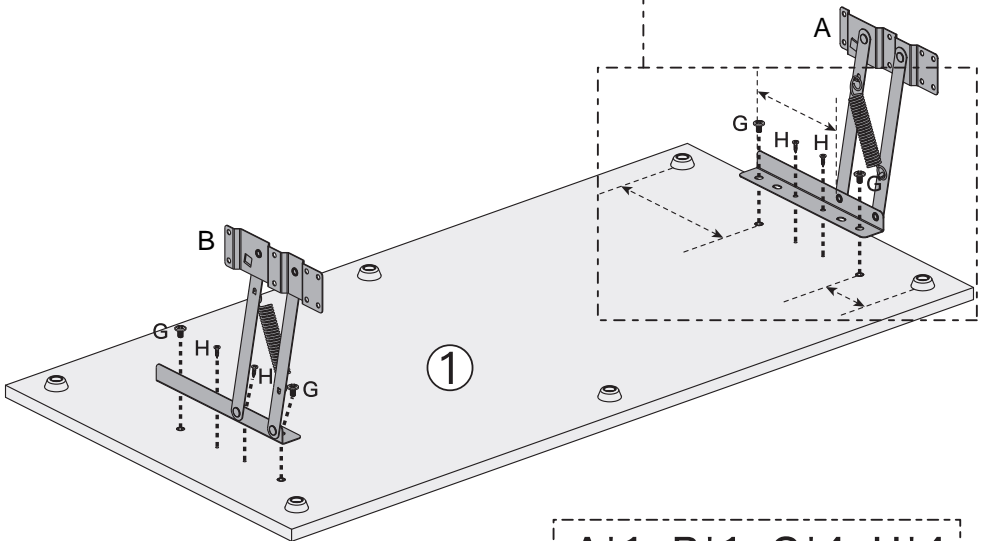
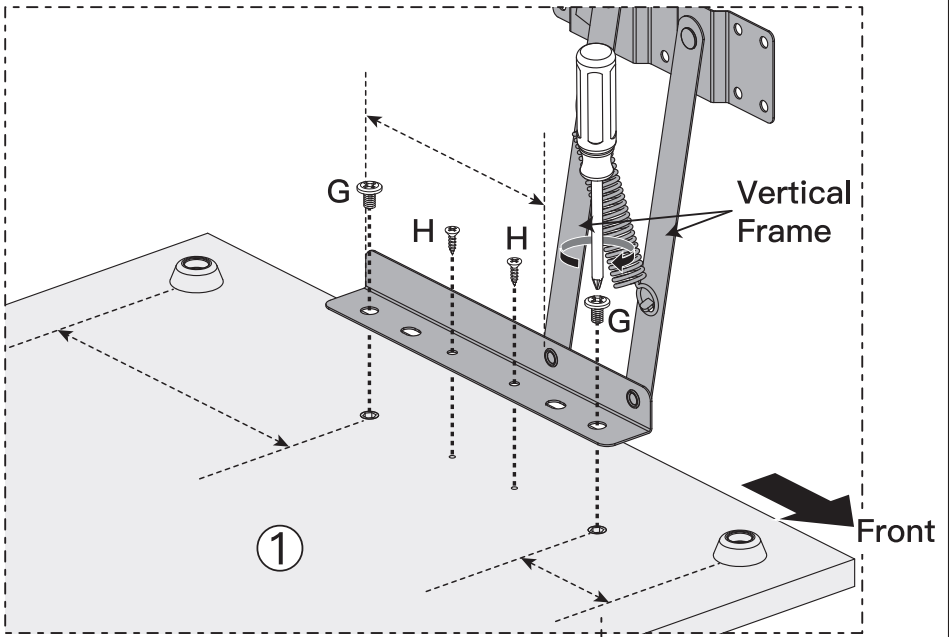
I*16

STEP 9



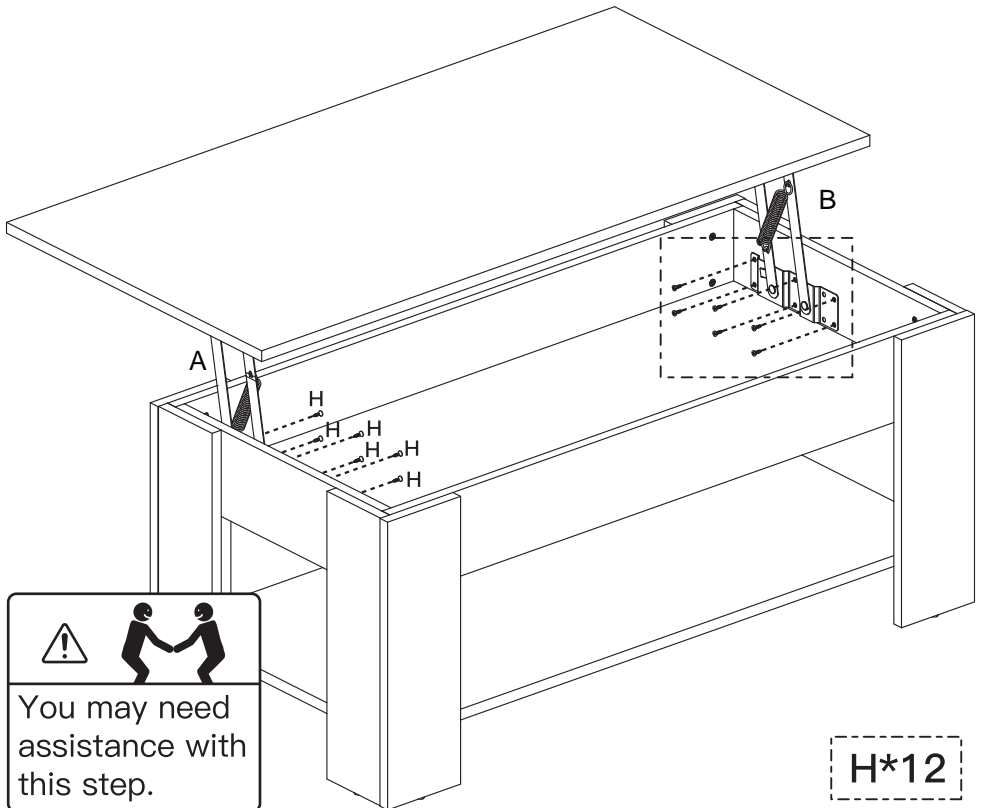
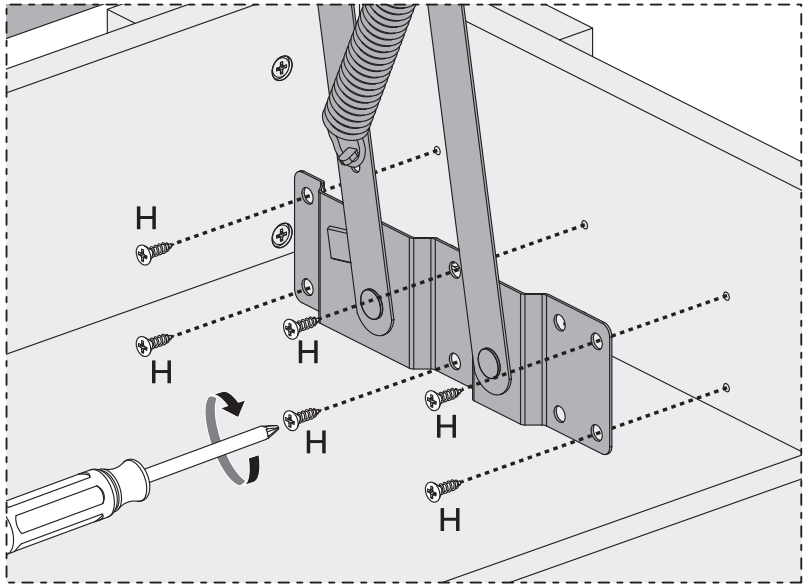
①*1 E*6 H*6

STEP 10



A*1 B*1 G*4 H*4

STEP 11



You may need assistance with this step.

H*12