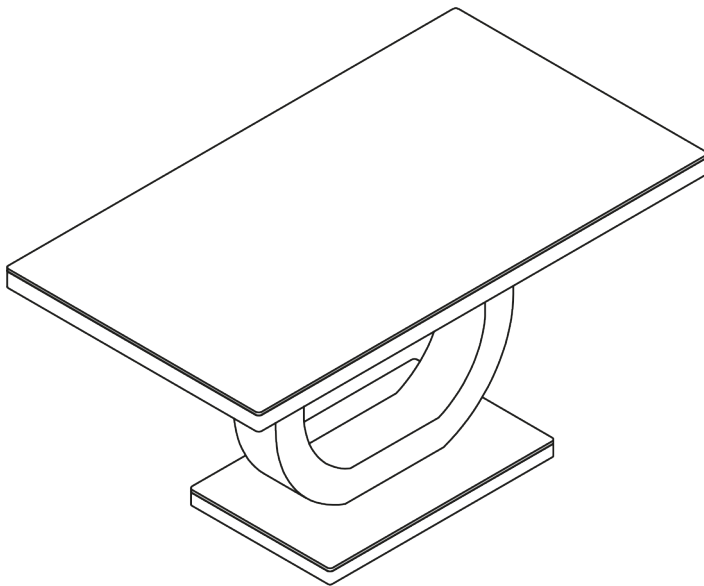


# **GIOVANI 6**

## ASSEMBLY GUIDE



**Important - Please read these instructions fully before starting assembly**



### **SAFETY AND CARE ADVICE**



### **NO POWER TOOLS**

#### **SAFETY AND CARE ADVICE**

- Check you have all the components and tools listed.
- Remove all fittings from the plastic bags and separate them into their groups.
- We do not recommend the use of power drills/drivers for inserting screws, as this could damage the unit. Only use hand screwdrivers and Allen keys.
- Keep children and animals away from the work area, small parts could cause choking if swallowed.
- Make sure you have enough space to layout the parts before starting.
- Assemble the item as close to its final position (in the same room) as possible.
- Do not overtighten the nuts to avoid causing damage to the threads.
- Only clean using a damp cloth and mild detergent, do not use bleach or abrasive cleaners.
- From time to time check that there are no loose screws on this unit
- This product should not be discarded with household waste. Take to your local authority waste disposal centre

## IMPORTANT INFORMATION



45 MINUTE  
BUILD

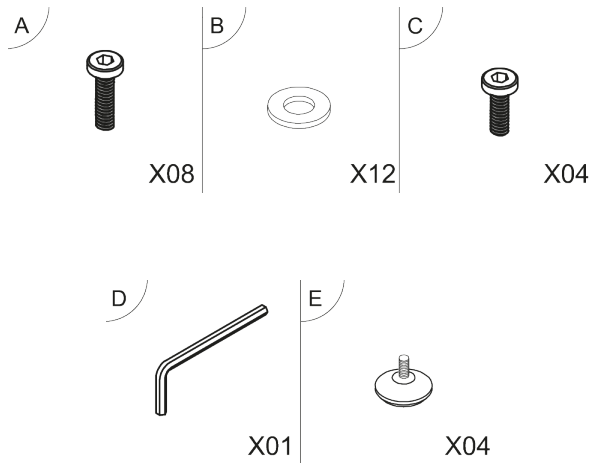


TWO  
PERSON



MAXIMUM  
CAPACITY 100Kg

PLEASE CHECK CAREFULLY AND MAKE SURE YOU HAVE ALL FITTINGS AND TOOLS LISTED BELOW BEFORE YOU START.

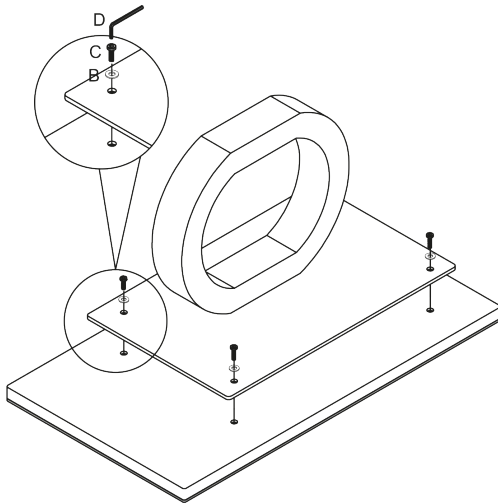
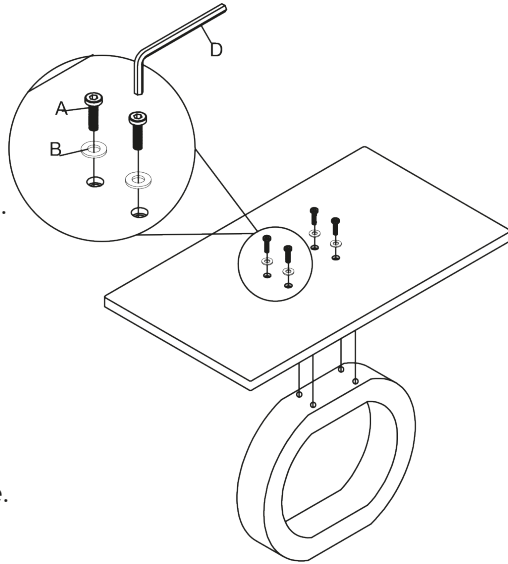


**NOTE:** The quantities above are the correct amount to complete the assembly. In some cases more fittings may be supplied than are required.

## STEP 1

Use a clear, flat, soft surface to avoid bumps or scratches. Attach 'halo' to connecting board using 4x screw [A] and 4x washer [B]. Tighten with allen key [D].

**ATTENTION:** To ensure table stability, please make sure you have fully tightened the halo to the connecting plate.

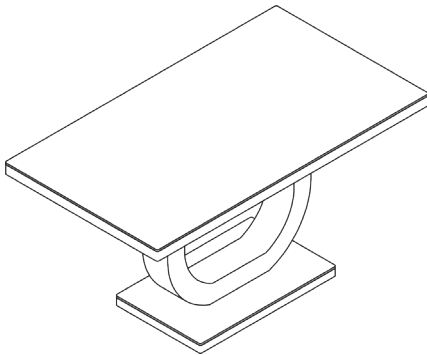
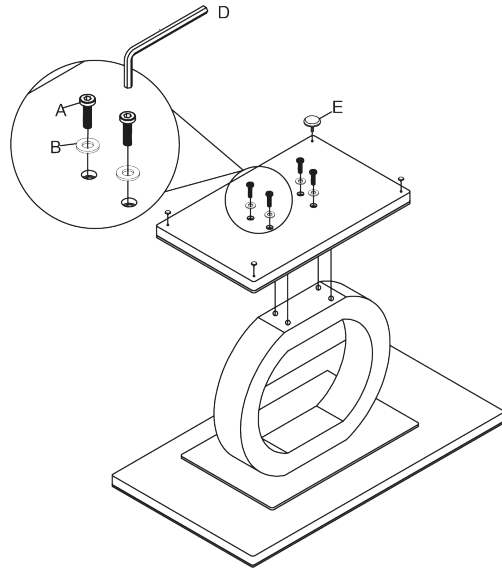


## STEP 2

**ATTENTION:** Carefully turn over connecting board and halo. Align connecting board with table top. Attach connecting board to table top using 4x screw [C] and 4x washer [B]. Tighten using allen key [D].

### STEP 3

Attach table base to halo using 4x screw [A] and 4x washer [B]. Tighten with allen key [D], then add 4x anti-slip feet [E] to corners of table base.



### STEP 4

**ATTENTION:** With the help of another person, carefully turn the table over to complete assembly. Your table is now ready to use.



## WE **L♥VE** INTERIORS! SHARE YOURS WITH US ON SOCIAL MEDIA

1. follow us on Instagram
2. post your interior
3. tag us to be featured

# LOOKING GOOD!

Now you've assembled your product find out how to care for your item and keep it looking brand new.

