

ASSEMBLY INSTRUCTIONS



CAUTION

- ◆ Inspect the wire insulation for any cuts, abrasions, or exposed copper that may have resulted during shipping. If there is a defect in the wire, do not attempt installation.
- ◆ Before starting installation of this fixture or removal of a previous fixture, disconnect the power by turning off the circuit breaker or by removing the fuse at the fuse box.

TOOLS REQUIRED



Ladder

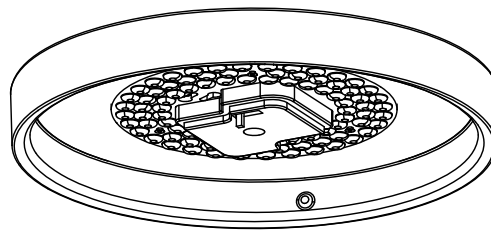


**Safety
glasses**



**Phillips
screwdriver**

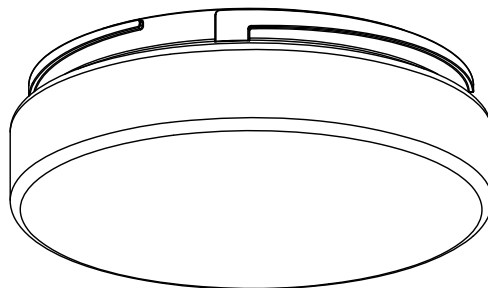
PARTS SHOWN MAY DIFFER SLIGHTLY PER LIGHT FIXTURE



Canopy

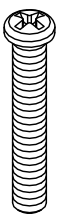


Screw



Glass Shade

PART BAG

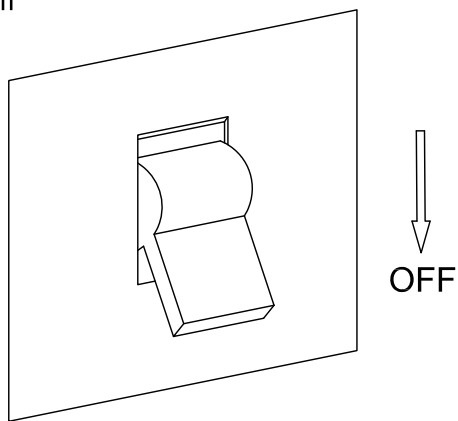


X2

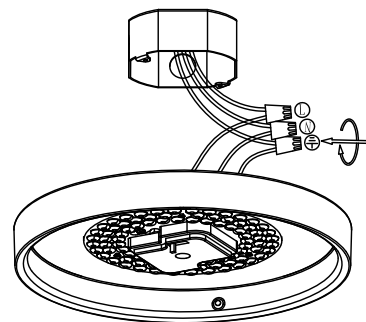


X3

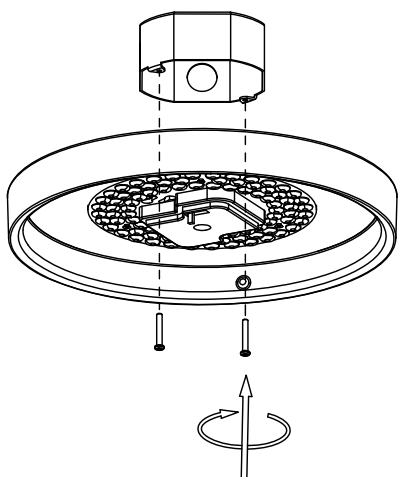
Step 1
Power off



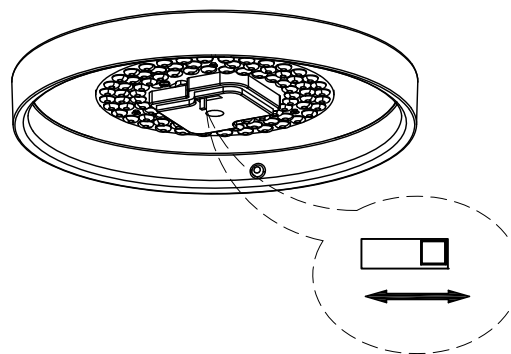
Step 2
Connect the wire.



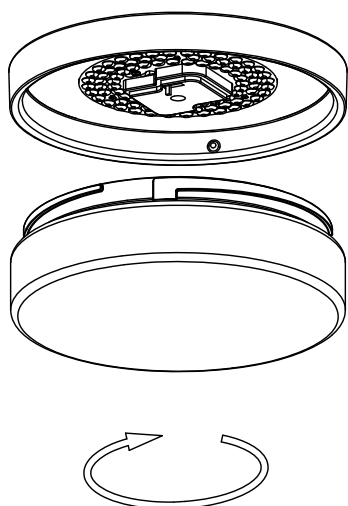
Step 3
Install the canopy onto the junction box using the mounting screws.



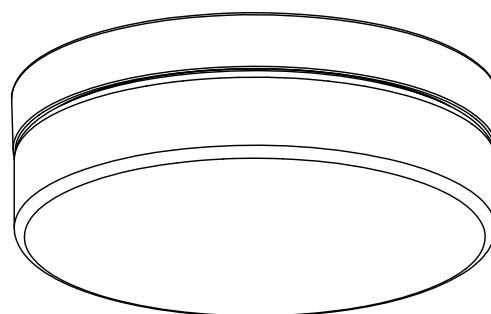
Step 4
Choose a suitable color temperature.
(3000K-3500K-4000K-5000K-6000K)



Step 5
Attach the glass shade onto the canopy, and then rotate it for installation.



Ceiling lamp



AD25052-C1