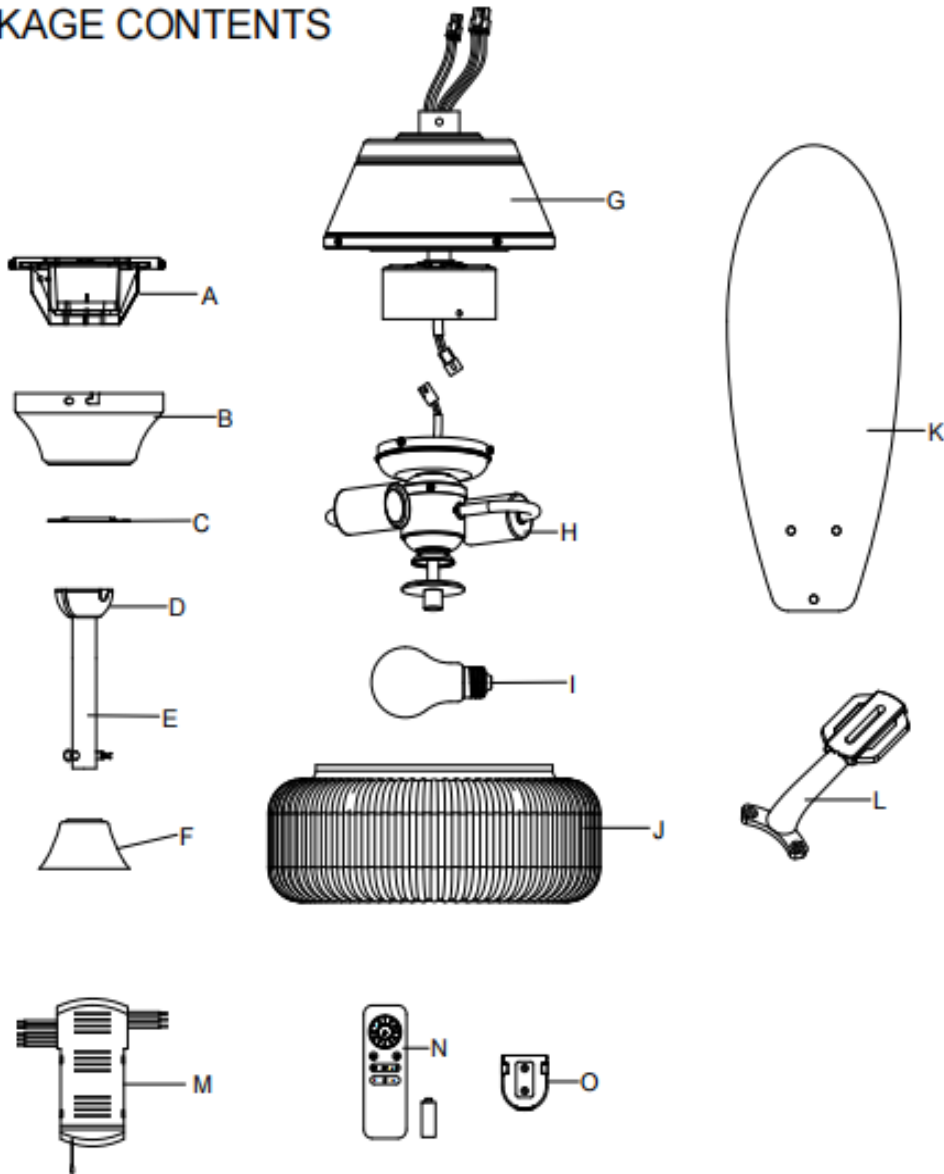


MODEL NO.: 21584/21585

PACKAGE CONTENTS


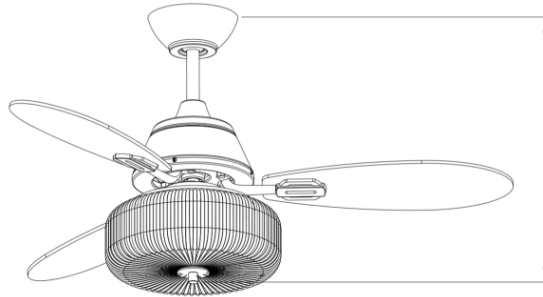
Part	Description	Quantity
A	Mounting bracket	1
B	Canopy	1
C	Canopy cover	1
D	Hanger ball (preassembled)	1
E	Downrod (preassembled)	1
F	Coupling cover	1
G	Fan motor assembly	1
H	Light kit	1

Part	Description	Quantity
I	LED bulb	1
J	Glass shade	1
K	Blade	3
L	Blade arm	3
M	Remote control receiver	1
N	Remote control transmitter	1
O	Remote control holder	1

Installation Guide

**READ AND SAVE THESE
INSTRUCTIONS**

MODEL NO.: 21584 21585



Total Height 18"

Install your ceiling fan using the provided down rod. Measure your room height before installing the fan and consider alternative installation height options if a longer down rod is needed.

Table of Contents:

[Safety tips Pg.3-4](#)

[Unpacking your fan Pg.4](#)

[Tools and material required Pg.5](#)

[Outlet Box Pg.6](#)

[Hanging Bracket Installation Pg.6](#)

[Assembly with Down Rod Pg.7](#)

[Ceiling Fan Wiring Pg.8-9](#)

[Blade Assembly Pg.9](#)

[Light Kit Pg.10](#)

[Glass lampshade Assembly Pg.10](#)

[Testing your fan Pg.11](#)

[Troubleshooting & Maintenance Pg. 12](#)



Weight of Appliance: 7.8 kg/17.2lb

Model No. 21584/21585

Professional Installation Recommended

Note: Approximate Time of Assembly: 30 Minutes to 1 Hour

MADE IN CHINA



your global source for unique lighting + home decor

MODEL NO.: 21584/21585

SAFETY TIPS

⚠ WARNING: To reduce the risk of electrical shock, turn off the electricity to the fan at the main fuse box or circuit panel before you begin the fan installation or before servicing the fan or installing accessories.

1. **READ ALL INSTRUCTIONS AND SAFETY INFORMATION CAREFULLY BEFORE INSTALLING YOUR FAN AND SAVE THESE INSTRUCTIONS.**

⚠ CAUTION: To avoid personal injury, the use of gloves may be necessary while handling fan parts with sharp edges.

1. Make sure all electrical connections comply with Local Codes or Ordinances, the National Electrical Code, and ANSI/NFPA 70-1999. If you are unfamiliar with electrical wiring or if the house/building wires are different colors than those referred to in the instruction, please use a qualified electrician.

2. Make sure you have a location selected for your fan that allows clear space for the blades to rotate and at least seven (7) feet (2.13 meters) of clearance between the floor and the fan blade tips. The fan should be mounted so that the tips of the blades are at least thirty (30) inches (76 centimeters) from walls or other upright structures.

3. The outlet box and ceiling support joist used must be securely mounted, and capable of supporting at least **35 Pounds (15.9 kilograms)**. The outlet box must be supported directly by the building structure. Make sure the electrical box that will hold the ceiling fan is fan-rated. There should be an inscription on the box indicating it.

⚠ WARNING: To reduce the risk of fire, electrical shock, or personal injury, mount to the outlet box marked "Acceptable for Fan Support," and use the mounting screws provided with the outlet box. Most outlet boxes commonly used for the support of lighting fixtures are not acceptable for fan support and may need to be replaced. Consult a qualified electrician if in doubt.

⚠ WARNING: To reduce the risk of fire, electrical shock, or personal injury, wire connectors provided with this fan are designed to accept only one 12-gauge house wire and two lead wires from the fan. If your house wire is larger than 12 gauge or there is more than one house wire to connect to the two fan lead wires, consult an electrician for the proper size wire connectors to use.

4. After making electrical connections, spliced conductors should be turned upward and pushed carefully up into the outlet box. The wires should be spread apart with the grounded conductor and the equipment-grounding conductor on opposite sides of the outlet box.

⚠ WARNING: To reduce the risk of electrical shock, fire and to prevent humming noise do not use this fan with any solid-state speed control device or control fan speed with a full range dimmer switch. Using a full range dimmer switch to control fan speed will cause a loud humming noise from fan.

5. Do not operate the reverse switch until the fan has come to a complete stop.

6. Do not insert anything between the fan blades while they are rotating.

⚠ WARNING: To reduce the risk of personal injury, do not bend the blade brackets when installing the brackets, balancing the blades, or cleaning the fan. Do not insert foreign objects in between rotating fanblades.

⚠ WARNING: To avoid personal injury or damage to the fan and other items, be cautious when working around or cleaning the fan.

7. Do not use water or detergents when cleaning the fan or fan blades. A dry dust cloth or lightly dampened cloth will be suitable for most cleaning.

8. Suitable for use with solid-state speed controls.

⚠ WARNING: To reduce the risk of personal injury, use **only** parts provided with this fan. **The use of parts OTHER than those provided with this fan will void the warranty.**

NOTE: The important safety precautions and instructions appearing in the manual are not meant to cover all possible conditions and situations that may occur. It must be understood that common sense and caution are necessary factors in the installation and operation of this fan.

9. This appliance is not intended for use by persons (including children) with reduced physical, sensory or mental capabilities, or lack of experience and knowledge, unless they have been given supervision or instruction concerning use of the appliance by a person responsible for their safety.

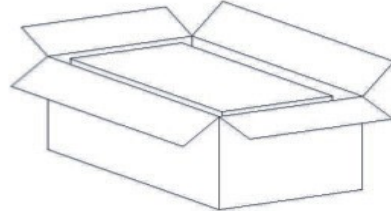
10. Children should be supervised to ensure that they do not play with the appliance.

MODEL NO.: 21584/21585

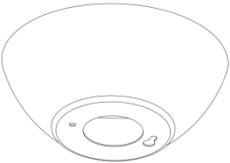
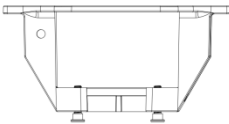


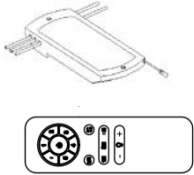
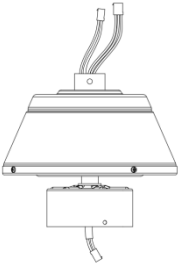
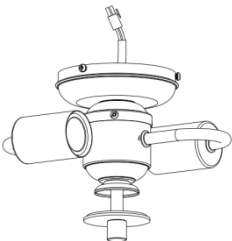

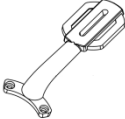

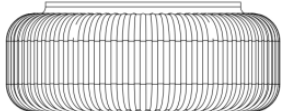
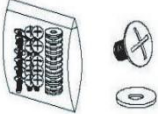
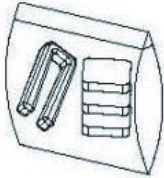
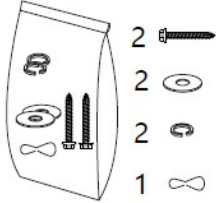

11. **CAUTION:** MOUNT WITH THE LOWEST MOVING PARTS AT LEAST 2.1 METRES ABOVE FLOOR OR GRADE LEVEL.
12. **WARNING:** All set screws must be checked, and retightened where necessary, before installation.
13. **WARNING:** If an unusual oscillating movement is observed, immediately stop using the ceiling fan and contact the manufacturer, its service agent or suitably qualified persons.
14. The replacement of parts of the safety suspension system device and the mounting of the suspension system shall be performed by the manufacturer, its service agent or suitably qualified persons.
15. The fixing means for attachment to the ceiling such as hooks, or other devices shall be fixed with a sufficient strength to withstand 4 times the weight of the ceiling fan.

1. Unpacking Your Fan

Carefully open the packaging. Remove items from Styrofoam inserts. Remove motor housing and place on a soft, dry surface to avoid damage to finish. Do not discard fan carton or Styrofoam inserts should this fan need to be returned. Check against parts inventory (listed below) that all parts have been included.



2. Parts Inventory

Canopy 	Canopy Bracket 	Down rods 6" 	Down rod cover 	Remote and Receiver w/batteries 	
Motor housing 	Light Kit 	Bulbs (2)  E26, Type A, 8W (LED-3000K-Dimmable) x 2Light kit	Blade arms (3) 	Blades (3) 	Shade 
Hardware bag (10 sets for Blades assembly) 	Balancing kit 	Security Cable Bag  <ul style="list-style-type: none"> 2 Screws 2 Washers 2 Rings 1 Wire Connector 	Hardware bag  <ul style="list-style-type: none"> 1 Screw 2 Wood Screws 2 Hanging Bracket Screws 2 Rings 2 Rings 3 Wire Connectors 4 Flat Washers 		

Bulb Specifications:

Light kit – E26, Type A, 8W (LED-3000K-Dimmable) x 2

MODEL NO.: 21584/21585

Alternative Bulb Usage: CFL or Incandescent Bulbs may be used. Ensure the Max. Wattage indicated on the socket labels is not exceeded, and verify the bulbs do not get in contact with any metal part of the fan components (shade or motor housing)

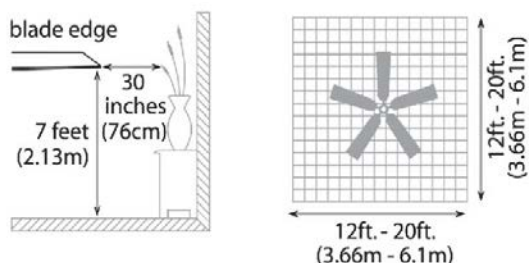
⚠ WARNING: DO NOT EXCEED INDICATED MAX BULB WATTAGE

Note for Stained Glass shade items: The stained glass shade has been protected with mineral oil as part of the finishing process. Please use a soft dry cloth to remove any excess oil.



3. Tools Required

- Screwdriver (flat head and Phillips)
- Adjustable wrench
- Electrical tape
- Wire cutter
- Step ladder



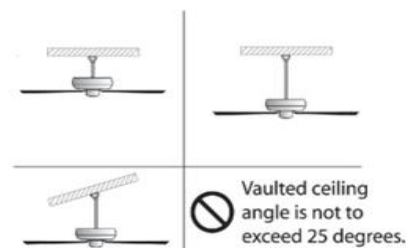
4. Installation Preparation

To prevent personal injury and damage, ensure that the hanging location allows the blade a clearance of 7ft (2.13m) from the floor and 30 in (76cm) from any wall or obstruction.

The fan is suitable for room sizes up to 400 square feet (37.2 square meters).

This fan can be mounted with a down rod on a normal or vaulted ceiling. Down rod is included (6" length).

downrod installation



⚠ WARNING: All set screws must be checked, and retightened where necessary, before installation.

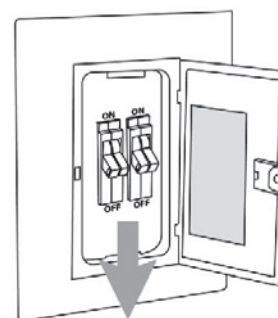
5. Hanging Bracket Installation

Turn off circuit breakers to current fixture from breaker panel and be sure operating light switch is turned to the OFF position.

⚠ WARNING: Failure to disconnect power supply prior to installation may result in serious injury and fire hazard. Remove existing fixture

⚠ WARNING: When using an existing outlet box, be sure the outlet box is securely attached to the building structure and can support the full weight of the fan. Ensure the outlet box is clearly marked "Suitable for Fan Support". If not, it must be replaced with an approved outlet box. Failure to do so can result in serious injury.

⚠ CAUTION: Be sure the outlet box is grounded properly and that a ground wire (green or bare) is present.



Partially loosen screws in slotted holes of canopy.
Remove the other 2 screws (along with the star washers) -save for later use. Twist canopy to remove the hanging bracket.

Install hanging bracket to outlet box using original screws, spring washers and flat washers provided with new or original outlet box. If installing on a vaulted ceiling, face opening of Hanging Bracket towards high point of ceiling. Arrange electrical wiring around the back of the hanging bracket and away from the hanging bracket opening.

CAUTION: It is very important that you use the proper hardware when installing the hanging bracket as this will support the weight of the fan.

ELECTRICAL OUTLET BOX

WARNING: Contact a qualified electrician to replace the outlet box if it is not suitable for ceilingfans

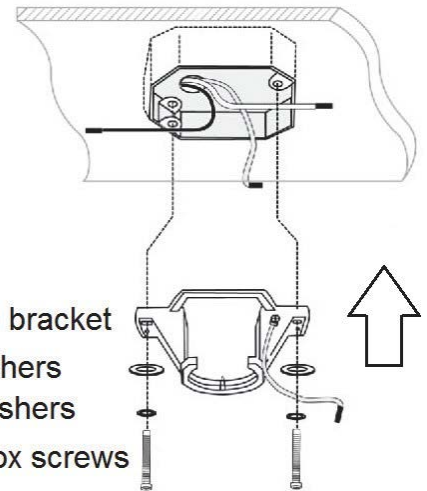
WARNING: To Reduce the Risk of Fire, Electric Shock, Or Personal Injury, Mount to Outlet Box Acceptable for Fan Support of 15.9 kg (35 lbs) or less And Use Mounting Screws Provided with The Outlet Box. Most Outlet Boxes Commonly Used for The Support of Luminaires Are Not Acceptable for Fan Support and May Need to Be Replaced. Consult A Qualified Electrician If in Doubt. MOUNT ONLY TO AN OUTLET BOX MARKED ACCEPTABLE FOR FAN SUPPORT.

Connecting the terminals of the controller output light wire and motor wire to the corresponding terminals of main body.

Connecting the input end of controller to the AC120 mains.

Connecting the grounding wires of the hanger, canopy and controller to the grounding wires.

1. If there is an existing outlet box, ensure it is clearly marked "Suitable for Fan Support".
If not, it must be replaced with an approved one.
2. Secure the outlet box (or make sure the existing box is secured) directly to the building structure. Use appropriate fasteners and building materials. Wood joist and outlet box must be able to support a minimum of 50 pounds.
3. Figures 1, 2 and 3 are examples of different ways to mount the outlet box in different situations.
4. To hang the fan in locations where no ceiling joists are available. A hanger support bar may be required (Fig. 4)



Hanging bracket
Flat washers
Lock washers
Outlet box screws

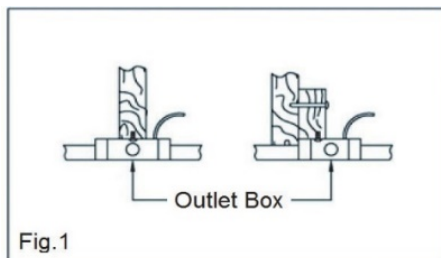


Fig.1

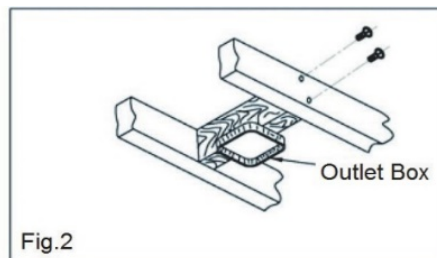


Fig.2

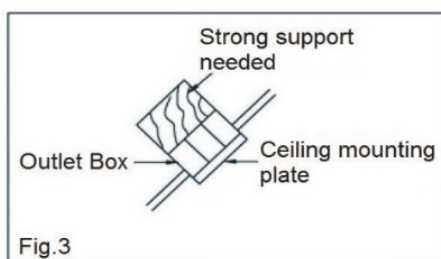


Fig.3

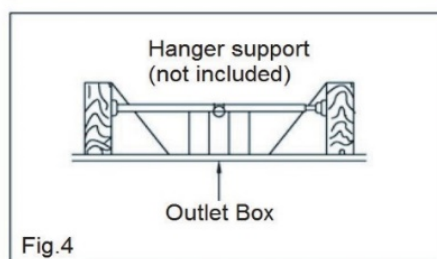
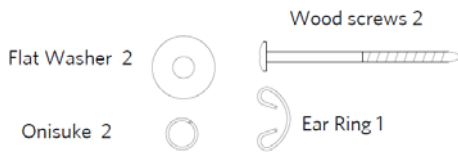


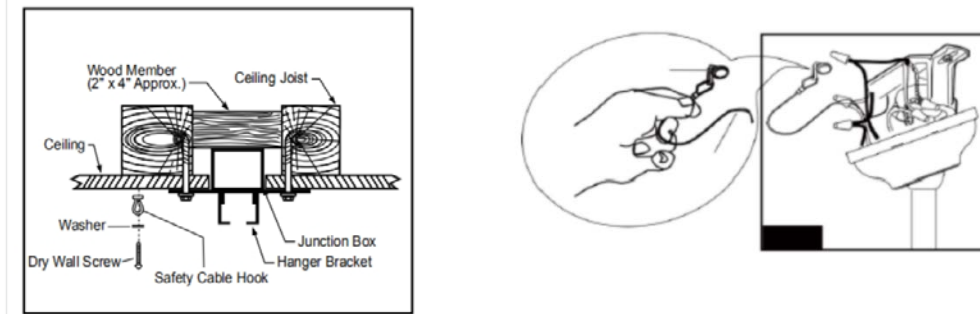
Fig.4

Required for Canadian Installation ONLY

To ensure consumer safety and satisfy Canadian regulatory requirements, a safety support cable is provided to help prevent the ceiling fan from falling. To install, please follow the instructions below.

Parts


- Using the provided screw, attach the safety cable hook to the ceiling joist near the mounting bracket. Ensure the cable hook is covered by the canopy.

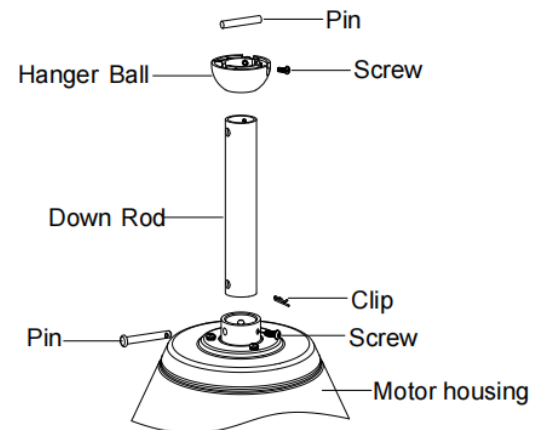


- Adjust the length of the safety cable to reach the safety cable hook by sliding the cable through the nut until the desired length is reached. Then, form the loop by threading the cable back through the cable and firmly securing. Place the loop onto the safety cable hook

Note: Although the safety support cable is only required for Canadian installation, it is recommended that it is utilized with any installation

6. Assembly with Down Rod

- Unscrew the two screws from the hanger ball, slide the hanger ball down, and take out the pin of the down rod, pull out the R pin and the lower sharp pin, unscrew the screw on the head of the boom.
- Pass the motor line and the light line through the down rod, insert the down rod into the hanging head, pass the pin through the hole which is corresponding to the down rod and the hanging head, and then pass the R pin through the cross pin.



- With two (2) hands. Place the down rod ball into the hanging bracket and rotate until the ball sits securely in the hanging bracket tab.

7. Ceiling Fan Wiring

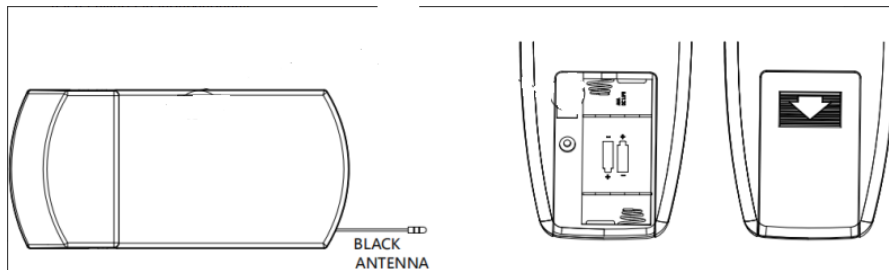
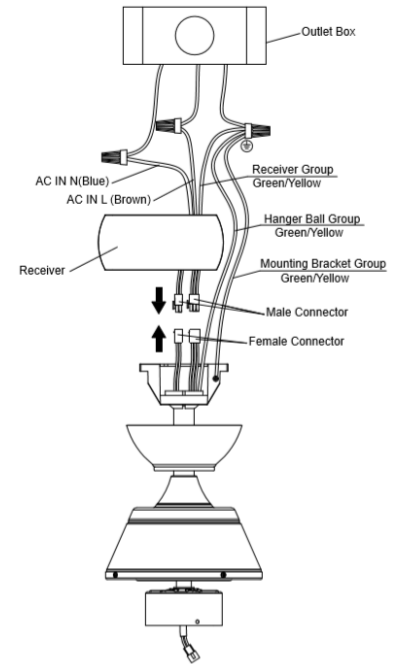
⚠ WARNING: Failure to disconnect the power supply prior to the installation may result in serious injury and fire hazard.

CODE SWITCH – see next diagram

1. Codes are set by pushing Dip switches up or down. It is imperative that the code used for both transmitter and receiver is exactly the same, otherwise the remote controller will not work. Please note the code switch will enable you to operate a second remote controller independently. For example, if you have two ceiling fans with 2 remote control units, set 2 different codes for each set of transmitter/receivers. This means you can operate each ceiling fan independently.

2. Your remote control is ready for use after the battery installation (AAA batteries included).

⚠ CAUTION: The battery will weaken with age and should be replaced before leaking takes place as this will damage the transmitter. Dispose of used batteries properly, keep the batteries out of reach of children. To reduce the risk of fire or injury, do not use this product in conjunction with any variable (rheostat) wall control.



3. Install the receiver into the Hanging bracket of the fan.

This unit is to be used for the control of ceiling fan and in an AC120V 60Hz power supply only. Do not install in damp locations or immerse in water. For indoor use only. Do not pull on or cut the receiver wire leads shorter.

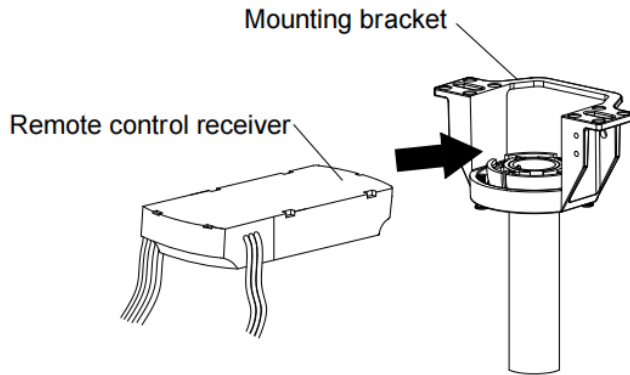
4. Proceed making the wire connections following this diagram carefully.

⚠ CAUTION: Incorrect wire connection would damage the receiver. Be sure the outlet box is properly grounded or that a ground wire (**GREEN** or bare) is present.

5. Ensure all the wire connectors are securing the wires firmly. It is recommended to apply electrical tape covering the connector and wires to further secure the connections.

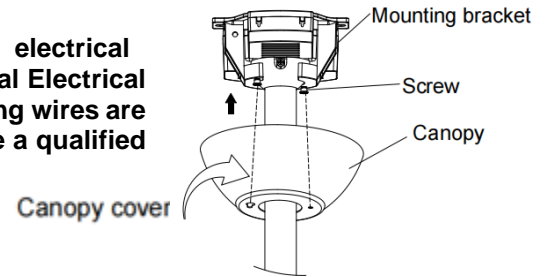
6. The splices, after being carefully made, should be turned upward and pushed carefully up into the outletbox.

7. Then slide the Canopy up covering the Hanging bracket and Remote Receiver as shown. Secure the Canopy to the Hanging Bracket with the screws and washers provided.



Important:

Make sure all connections comply with Local Codes or Ordinances and the National Electrical Code. If you are unfamiliar with electrical wiring, or if the house/building wires are different colors than those referred to in the instructions, please use a qualified electrician.

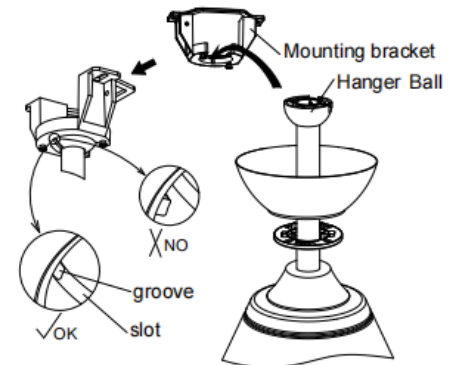
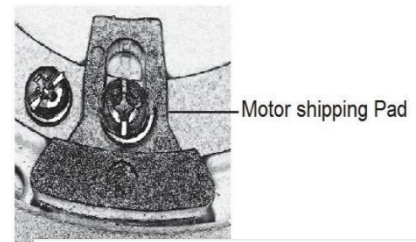
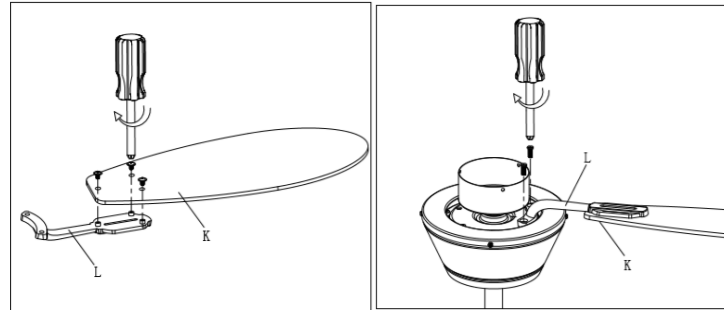


8. Canopy Assembly

Insert the two inner keyholes of canopy cover into the screw head at the bottom of the hanger respectively, tighten and fix them.

9. Blade Assembly

1. Locate ten (10) screws/washers in the hardware pack
2. Hold blade arm up to blade and align the three (3) holes
3. Insert three (3) screws/washers with fingers, and tighten with a phillips screwdriver
4. Repeat Step 3 for the remaining blades
5. Remove blade arm screws and lock washers from the motor housing and set aside
6. Remove motor shipping pads, discard pads and save the screws
7. Align the blade arm holes with the motor housing holes and attach the two (2) screws/washers. Fasten securely
8. Repeat Step 7 for the remaining blade arms



CAUTION: Hang up the main body. Hang the ball on the mounting bracket which is fixed to the ceiling.

MODEL NO.: 21584/21585

Pay attention to the raised slot of the hanger, it should be stuck into the slot of the ball.

10. Light Kit Assembly

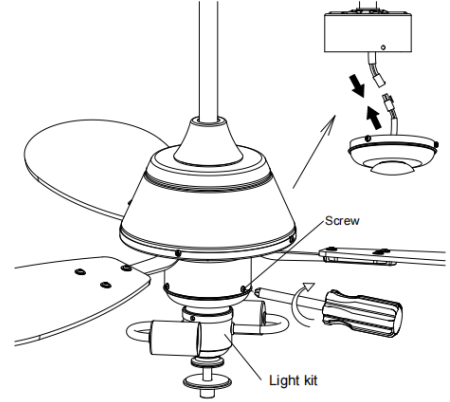
1. Insert the terminals of lamp wire into the host lamp wire terminal.

Put the canopy of the light kit on the terminal box and fix it with 3 screws.

2. Screw two bulbs into the lamp head.

⚠ WARNING: DO NOT EXCEED INDICATED BULB WATTAGE

Alternative bulbs usage: CFL or Incandescent bulbs may be used. Ensure the Max. Wattage indicated on the socket labels is not exceeded, and verify the bulbs do not get in contact with any metal part of the fan components (shade or motor housing)

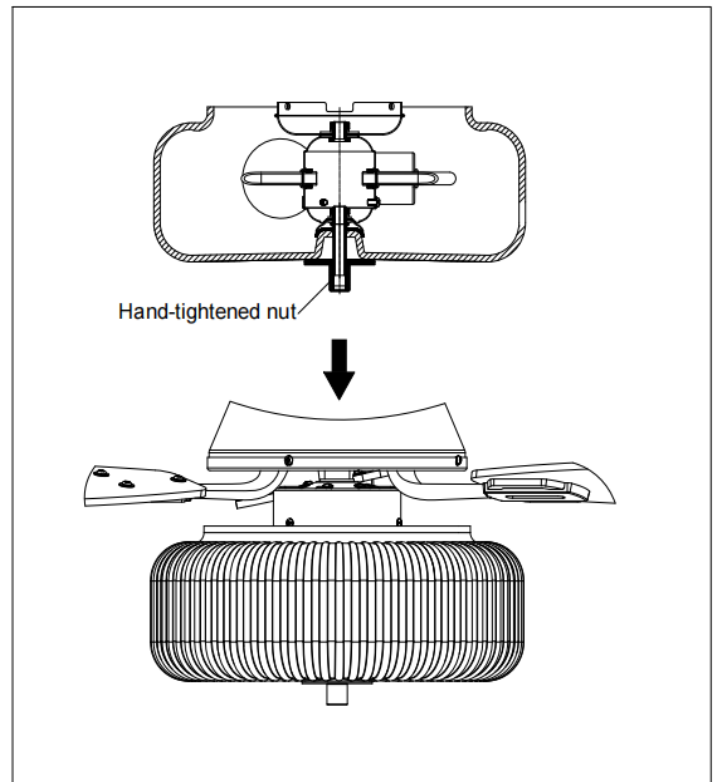
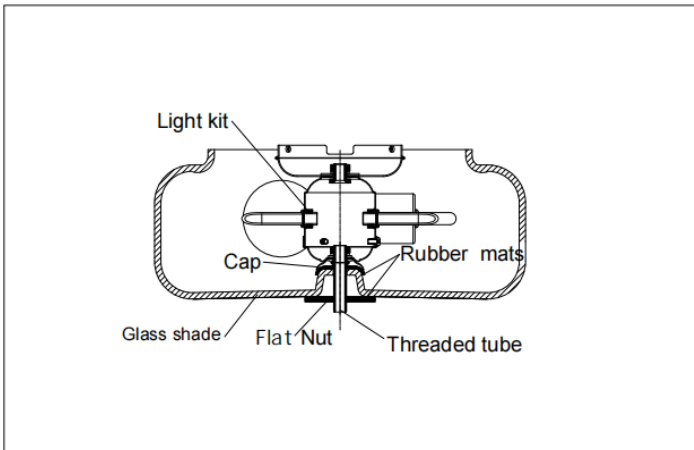


11. Glass lampshade Assembly

1) The installation of the glass lampshade

Place rubber mats on top and bottom of the lampshade and use flat nut to press the rubber mat to fix the lampshade on the center threaded tube of the light kit. Note that the diameter of the lower rubber pad is larger than the upper rubber, Please attention!

2) Hand-tighten the nut onto the threaded tube.





your global source for unique lighting + home decor

MODEL NO.: 21584/21585

12. Testing Your Fan

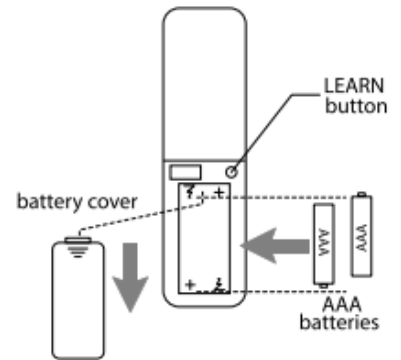
CAUTION: The remote control can be programmed to multiple receivers or fans.

Remove battery cover on back side of remote-control transmitter.

Install two AAA1.5-volt batteries(included). Then, replace the battery cover.

Warning: Batteries are to be inserted with the correct polarity.

Note: The remote control and receiver are pre-programmed from The factory. Should the remote and receiver lose programming, follow these directions to re-program the fan: After restoring electrical power, turn the power off first. Restore power and within 60 seconds of restoring The power, press and hold the LEARN button for 5 seconds (or until fan blades begin To turn). Test the light and fan functions to confirm the learning process is completed.



REMOTE CONTROL TRANSMITTER (back side)

Fan POWER button-Use to turn the fan off

Fan SPEED button -Use to control ceiling fan speeds 1-6

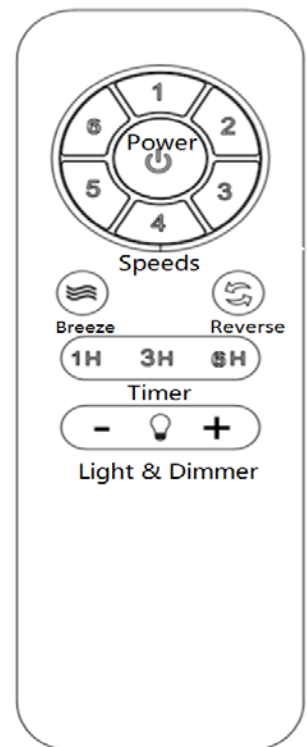
Fan BREEZE button-Use to automatically cycle fan between all speeds

Fan TIMER button-Use to turn the fan timer to one, three or six hours

Reverse function button-Use to control fan direction

Light function button-Use to turn light ON/OFF when pressed once

The button “+” or “-”-Use to adjust the brightness of the fan bulbs





your global source for unique lighting + home decor

MODEL NO.: 21584/21585

Ceiling Fan Troubleshooting Guide

Welcome to the River of Goods family! We're honored you've decided to include one of our ceiling fans in your home.

Problem	Solution
Fan/Lights do not start	<ul style="list-style-type: none">• Check all fuses/circuit breakers• Turn off electrical power and ensure the wiring is correct• Ensure bulbs(s) are fully installed in the socket
Fan is noisy	<ul style="list-style-type: none">• Allow a 24-hour "break in" period. Any level of noise louder than ambient levels should disappear during that time• Check the electrical mounting box and ensure it is securely fastened• Check all screws/wire connections on the fan to ensure they are securely fastened• Check to make sure the motor housing bulbs are not in contact with the motor• Use of an unapproved light dimmer or wall control can cause harmonic distortion and excess noise. Check to ensure that if installed, the wall control is approved for ceiling fan use
Fan does not move much air	<ul style="list-style-type: none">• Check the direction of the fan blades when running. If needed, flip the reverse switch on the motor housing to ensure the ceiling fan is moving air in the desired direction• Ensure no household items are obstructing the airflow of the ceiling fan• Check to ensure the ceiling fan is appropriate for the size of the room in which it is installed
Fan shakes or wobbles	<ul style="list-style-type: none">• A small amount of wobble is typical and acceptable and is not indicative of a defect• Ensure the electrical mounting box and hanging bracket are securely fastened• Install the included balancing kit. If undesired movement persists, simply change the location of the balancing kit until the excess movement ceases

MAINTENANCE

1. The fan's natural movements may cause some connections to work loose. A clicking or rattling noise is a certain sign of loosening screws. Check the support connections, brackets and blade attachment twice a year, and tighten all screws as necessary.
2. Clean your fan periodically. Use only a damp cloth (never use solvents), and dust with a soft cloth or brush.
3. You will never need to oil your fan, its permanently sealed bearing will prevent noise.
4. Make sure the power is turned off at the main fuse or circuit panel before you attempt any repairs.