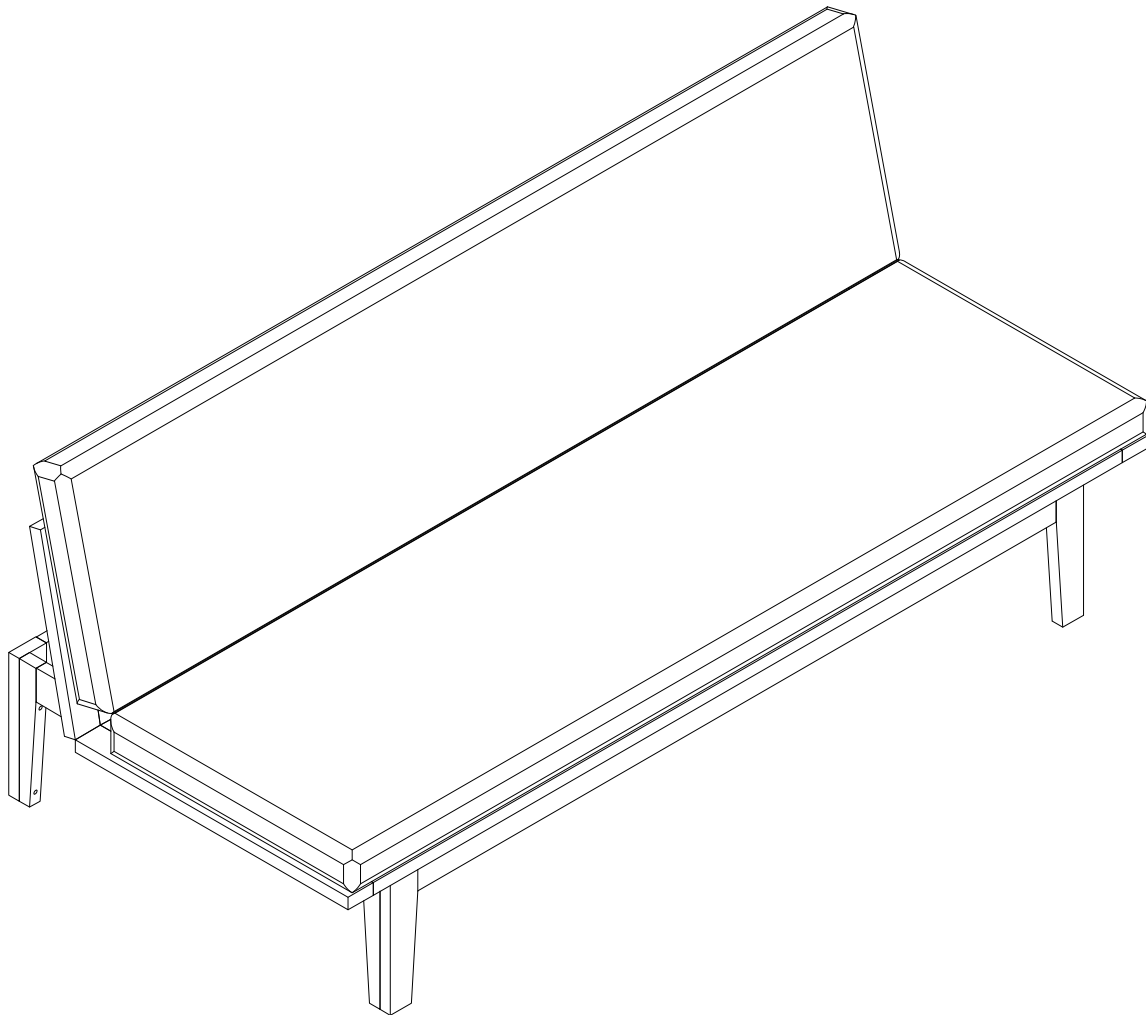


Assembly Instructions

DAYBED

CAUTION: You must read this before you proceed.

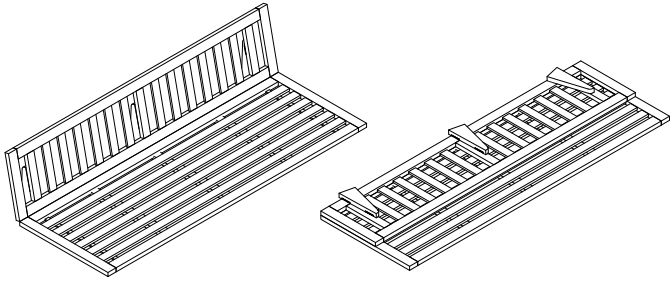
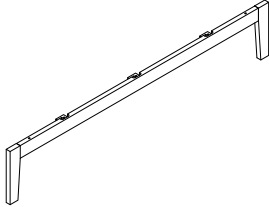
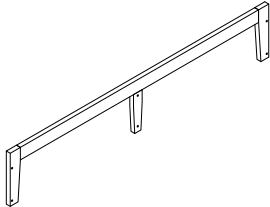
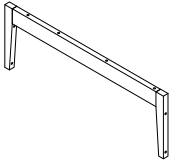
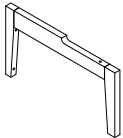
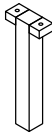
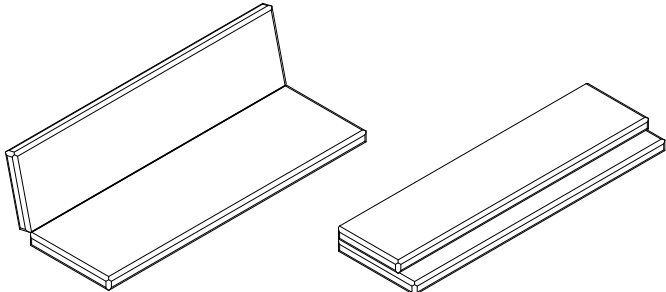
Please look in the Back Leg Panel for hardware packs



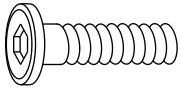
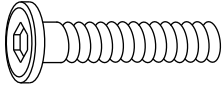
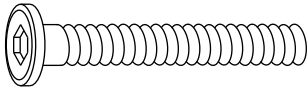
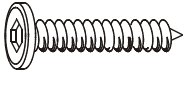

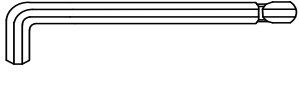
CAUTION: This Daybed is NOT a TOY.

Keep your child/children at bay in the process of assembly.

For turning the Daybed and to prevent damage to the Daybed, 2 persons may be needed to execute this action.

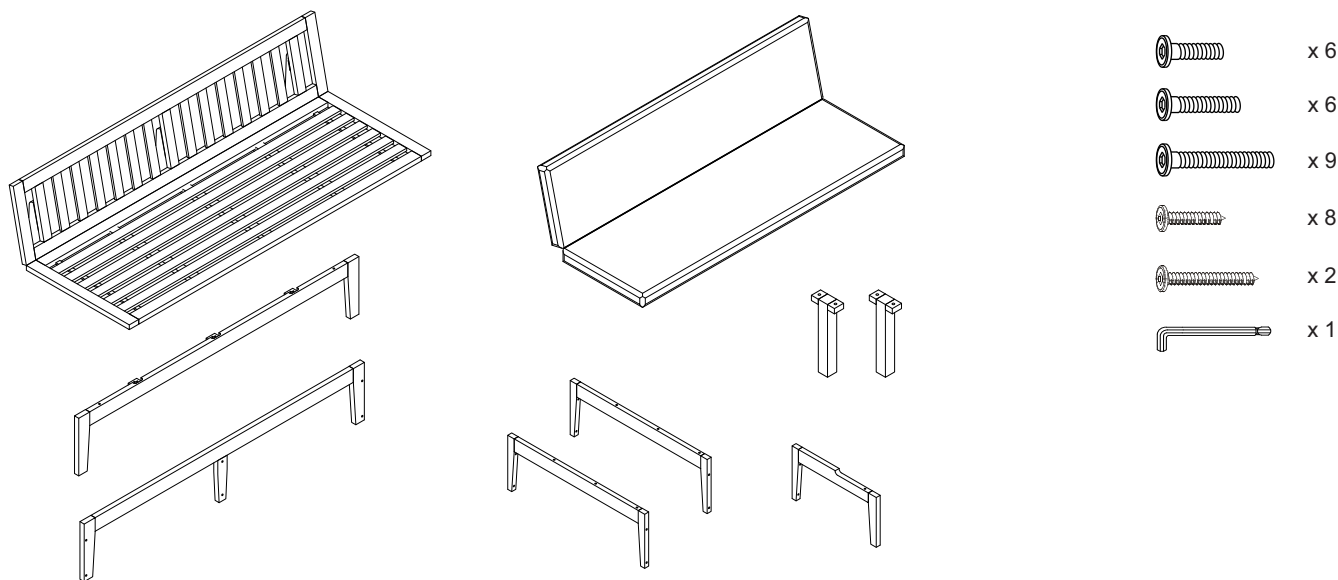
Label	Picture	Description	Qty
A		Foldable Seat Panel	1
B		Front Leg Panel	1
C		Back Leg Panel	1
D		Side Leg Panel	2
E		Middle Support Leg Panel	1
F		Support Leg	2
G		Foldable Cushion	1

Hardware

Label	Picture	Description	Qty
①		Bolt (M6 x 40mm)	6
②		Bolt (M6 x 50mm)	6
③		Bolt (M6 x 80mm)	9
④		Screw (M6 x 45mm)	8
⑤		Screw (M6 x 70mm)	2
⑥		Allen Wrench	1

Assembly Preparation

Before Beginning Assembly:



Read instructions, cover to cover.



Have 2 adults on hand for assembly.



Do not assemble on flooring or carpet.



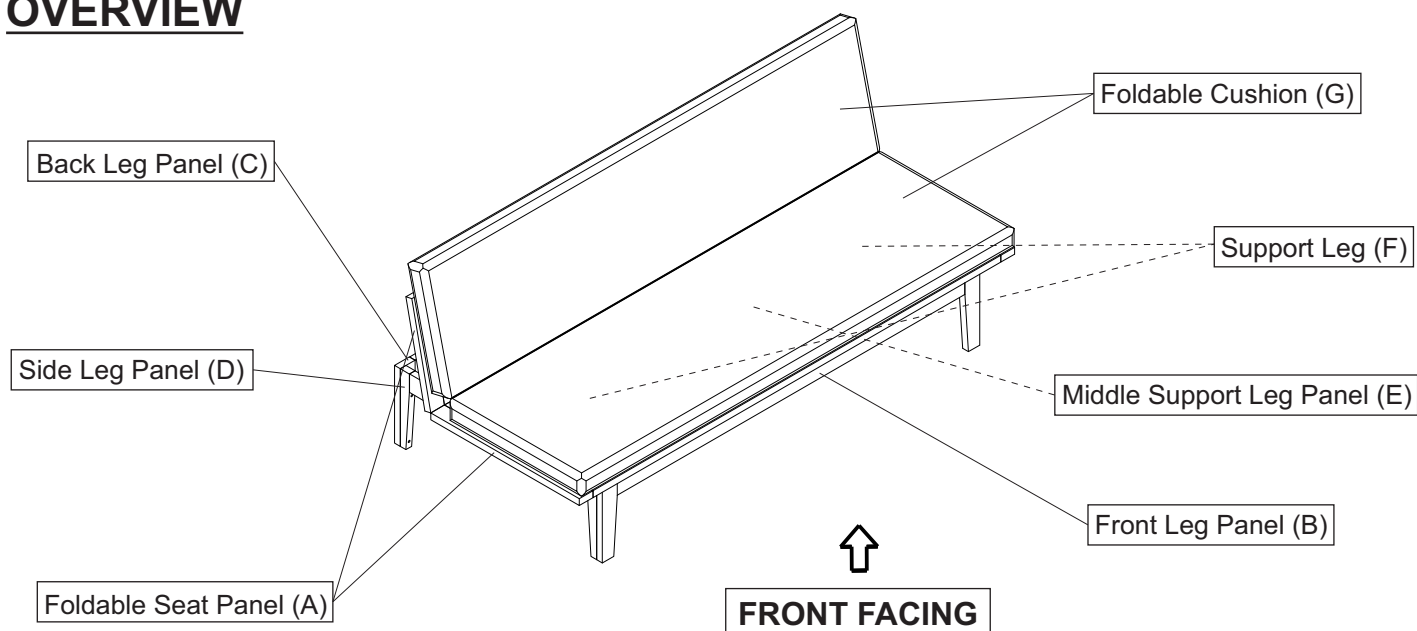
Assemble on a clean non-marring surface (packing foam).



Save all packaging until finished.

Assembly Steps

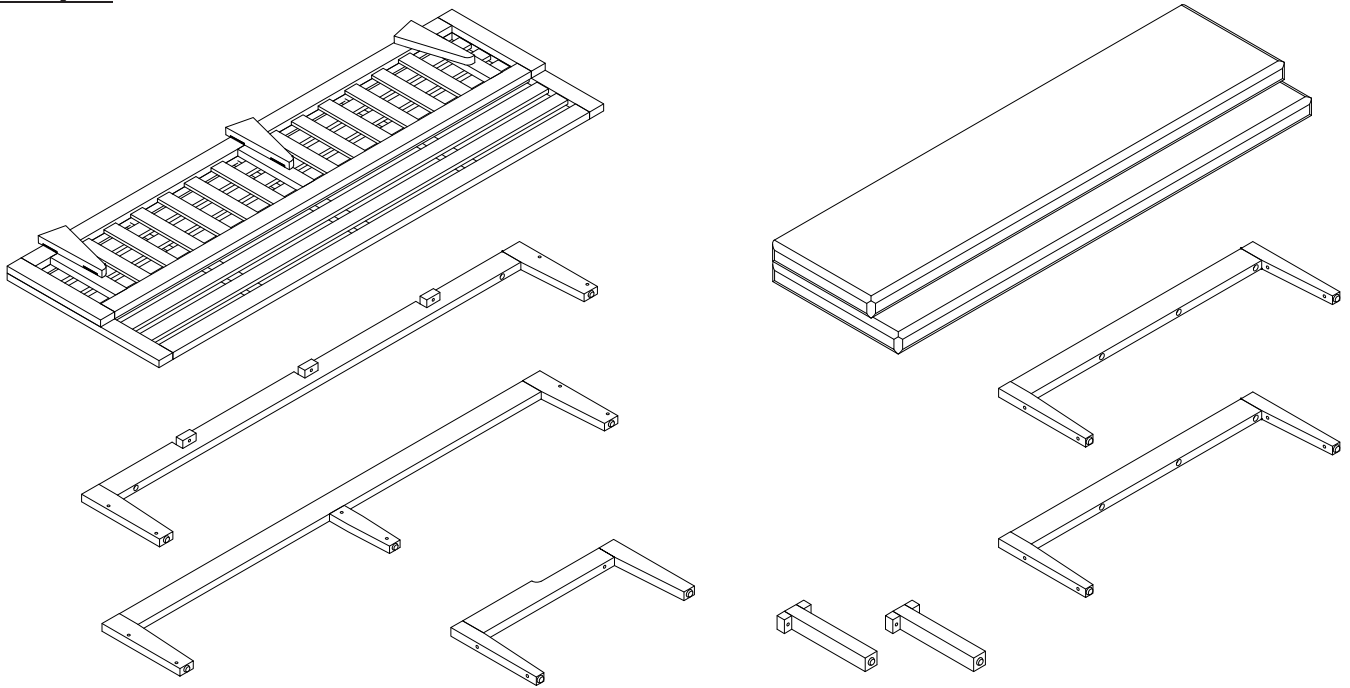
OVERVIEW



This Daybed has multiple parts and may require up to 30 minutes to assemble. To give you an overview of the Daybed parts, the above picture is to help you put the various parts into perspective. Please read through the instructions below to familiarise yourself with the parts and steps before assembly.

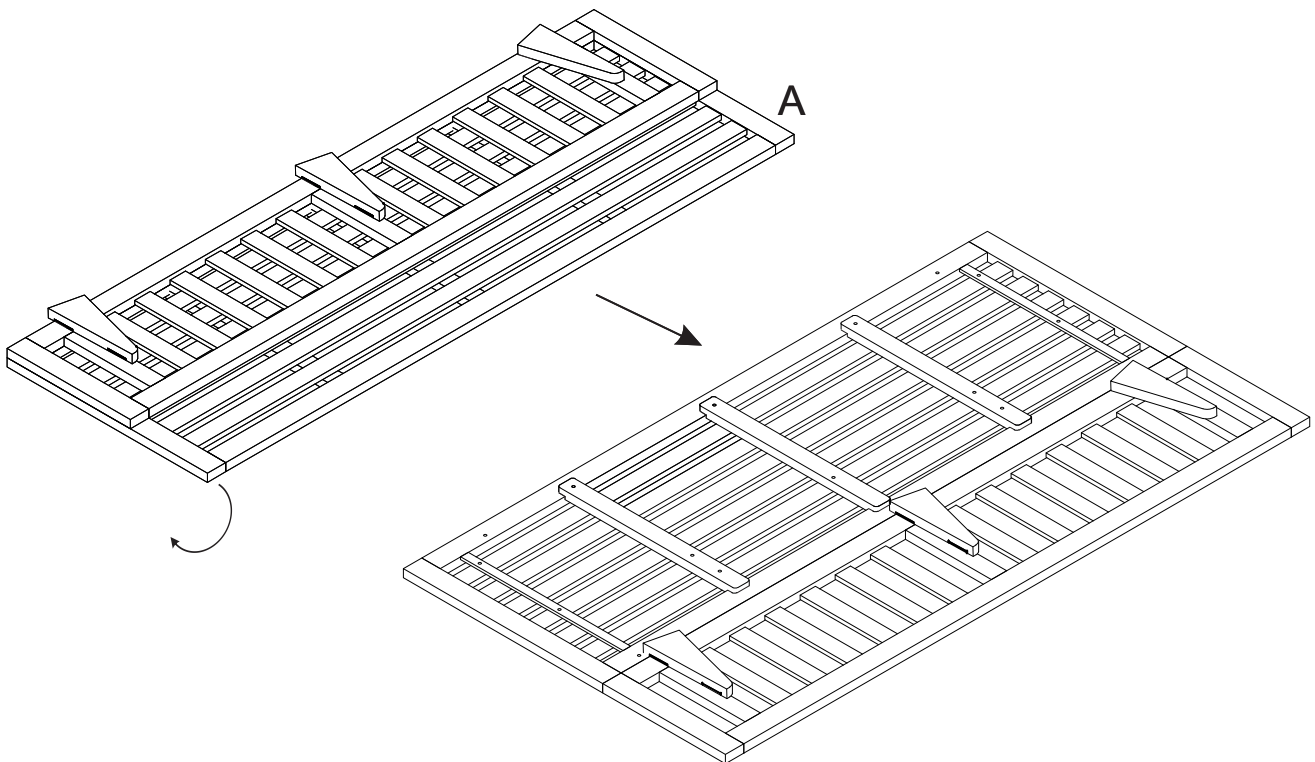
Assembly Steps

Step 1



Unpack and place all parts on a clean, non-marring surface.

Step 2

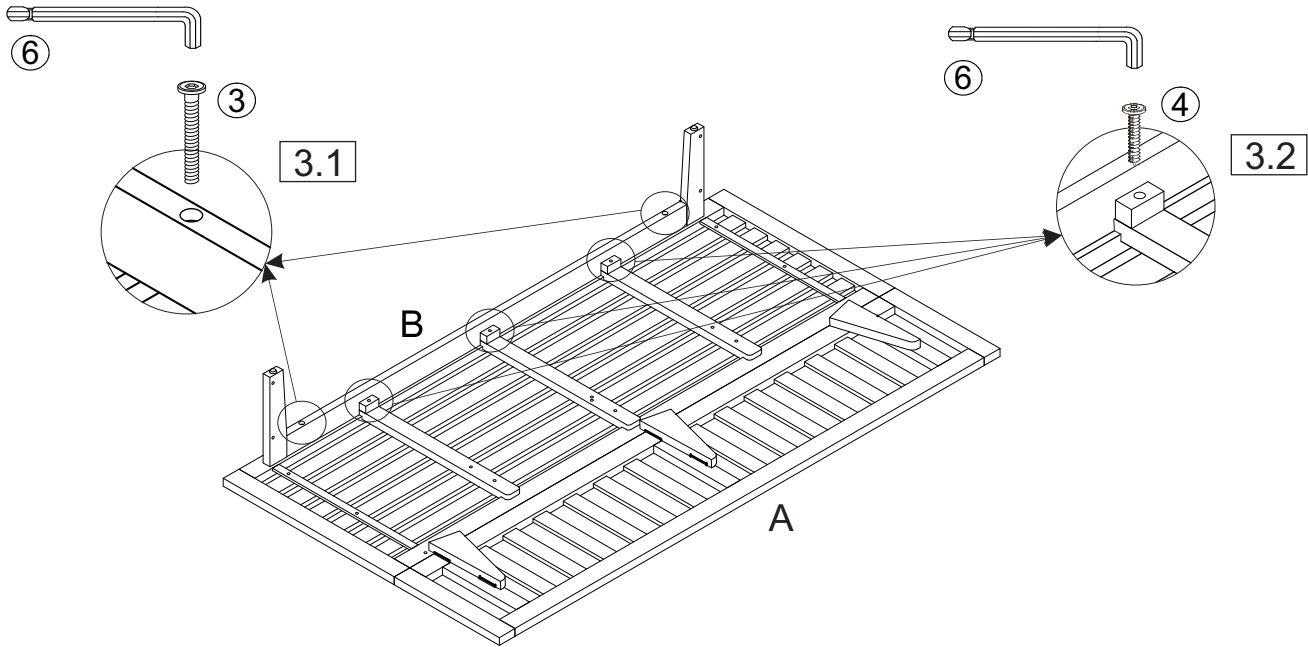


With the help of adults partner, unfold the Foldable Seat Panel (A) as indicated by the arrows.

Caution: Be caregul when opening the Foldable Seat Panel (A) to avoid fingers getting trapped or pinched.

Assembly Steps

Step 3

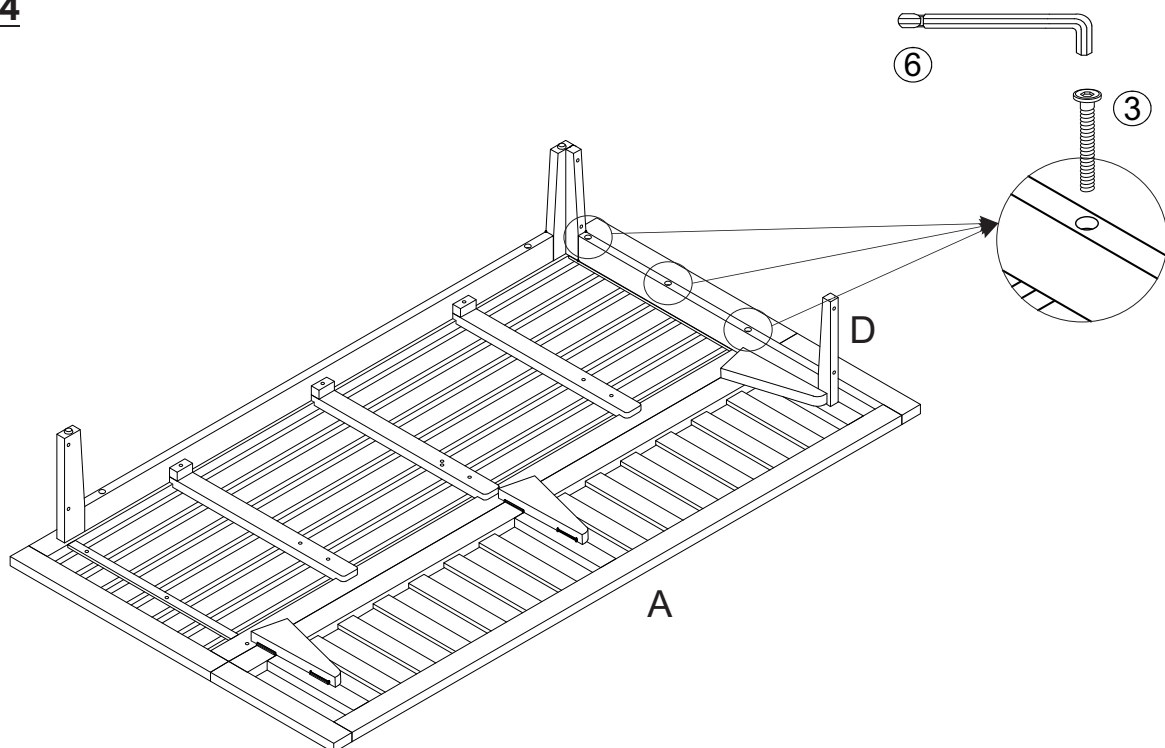


3.1) Attach the Front Leg Panel (B) to the Foldable Seat Panel (A) using Bolt (3) with Allen Wrench (6) as shown above.

3.2) Attach the Front Leg Panel (B) to the Foldable Seat Panel (A) using Screw (4) with Allen Wrench (6) as shown above.

Do not fully tighten the Bolts and Screws.

Step 4



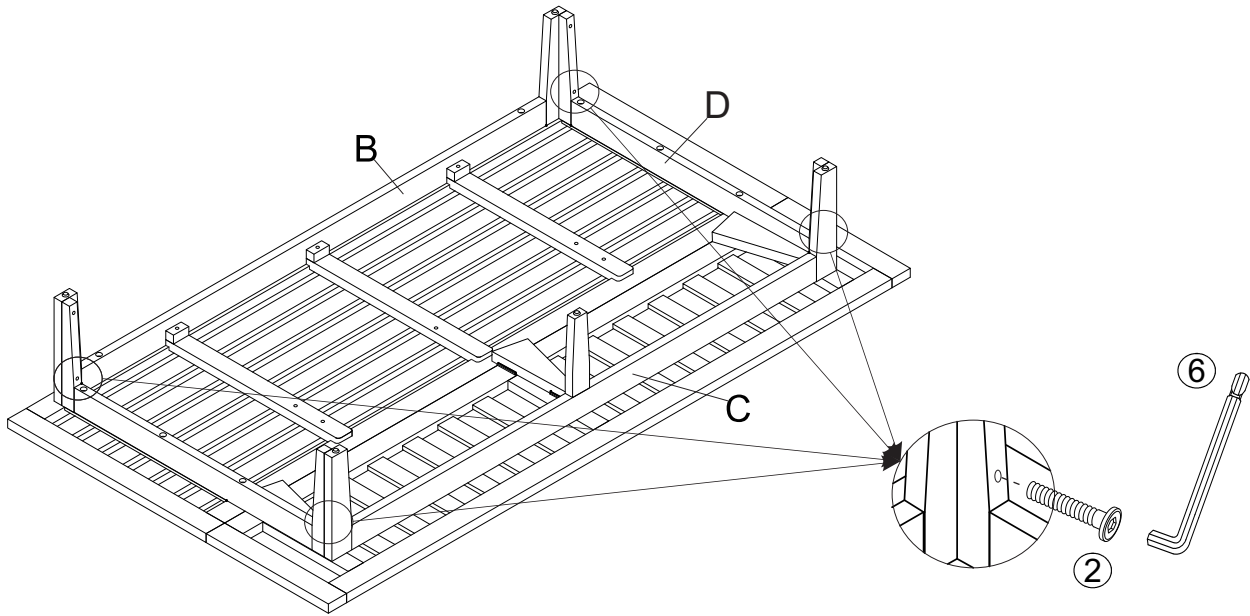
Attach the Side Leg Panel (D) to the Foldable Seat Panel (A) of assemble in step 3 using Bolt (3) with Allen Wrench (6) as shown above.

Repeat the same process with remaining Side Leg Panel (D).

Do not fully tighten the Bolts.

Assembly Steps

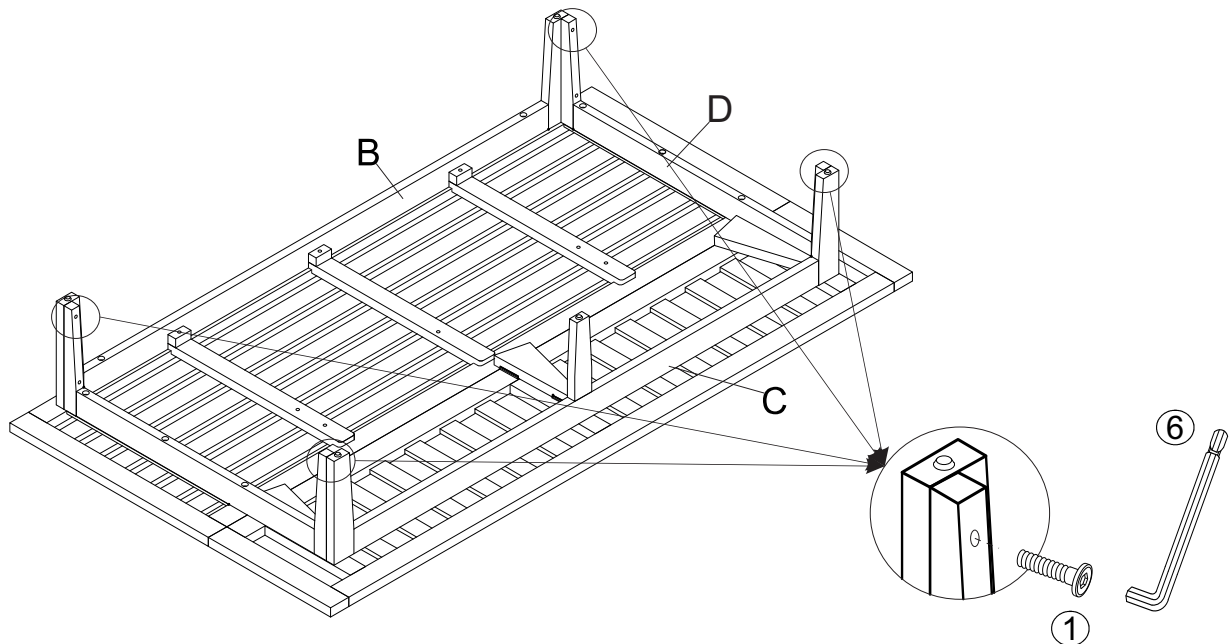
Step 5



Place the Back Leg Panel (C) onto the assemble in step 4, then secured the Side Leg Panel to the Front Leg Panel (B) and the Back Leg Panel (C) using Bolts (2) and Allen Wrench (6) as shown above.

Do not fully tighten the Bolts.

Step 6

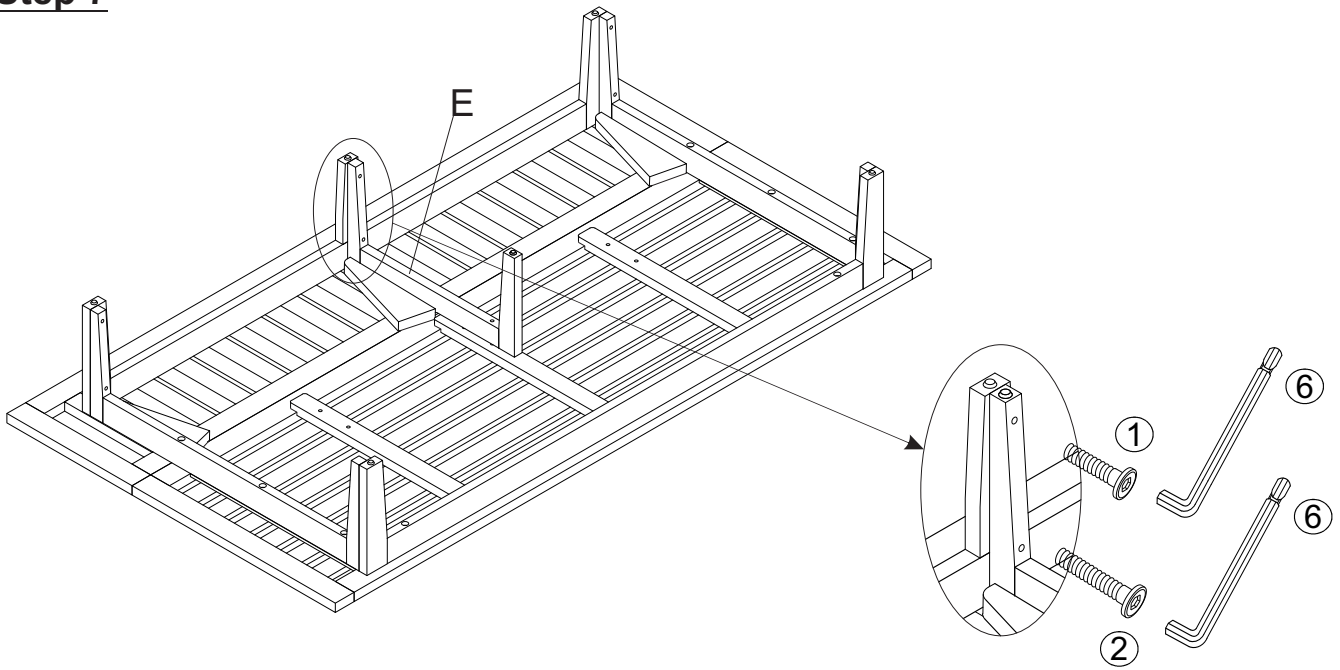


Secure the Side Leg Panel (D) to the Front Leg Panel (B) and the Back Leg Panel (C) using Bolts (1) and Allen Wrench (6) as shown above.

Do not fully tighten the Bolts.

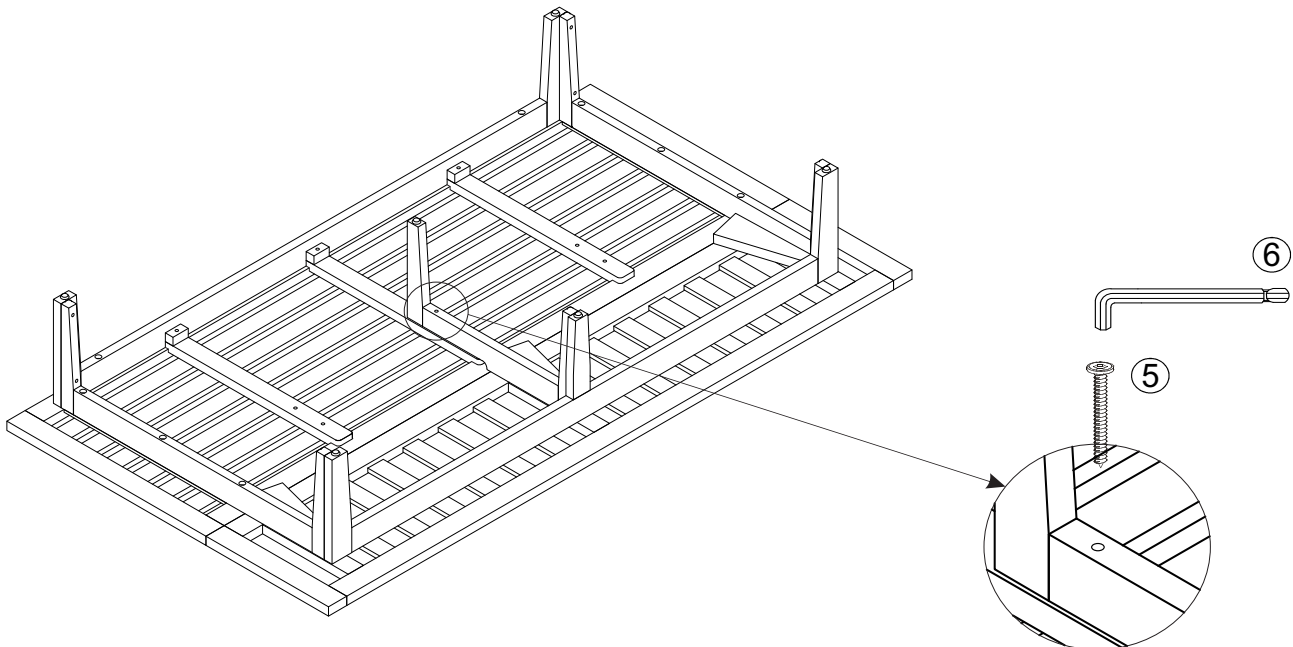
Assembly Steps

Step 7



Attach the Middle Support Leg Panel (E) to the Back Leg Panel (C) using Bolts (①), Bolt (②) and Allen Wrench (⑥) as shown above.
Do not fully tighten the Bolts.

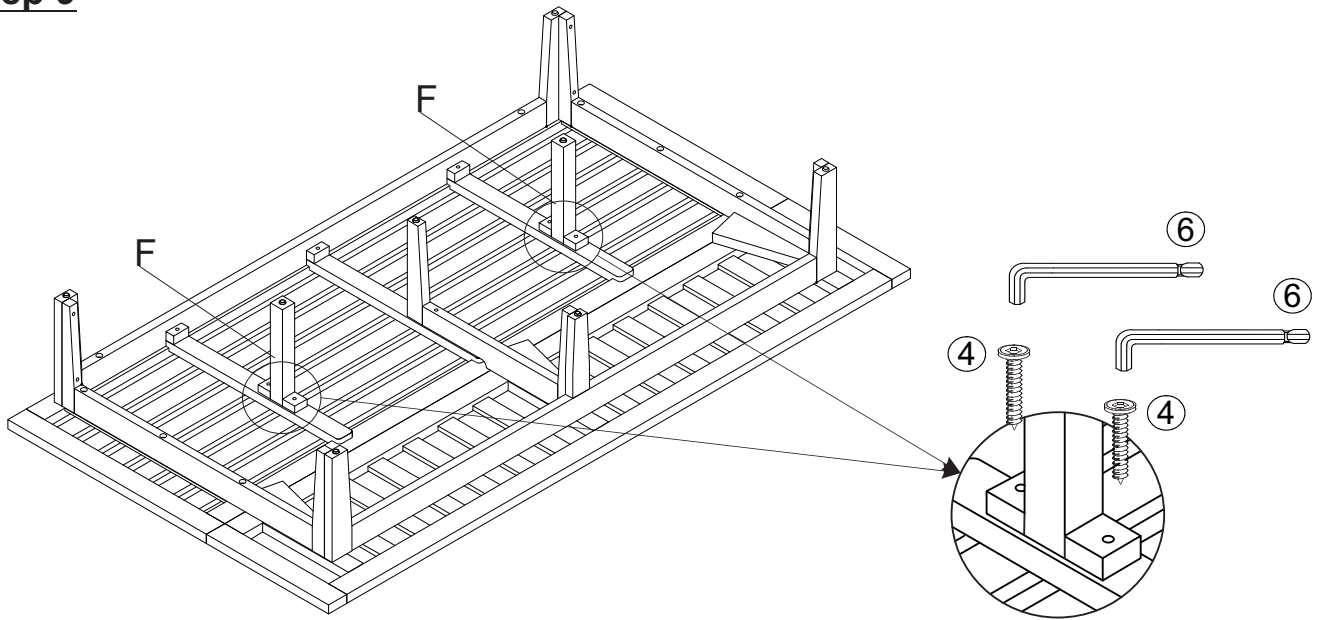
Step 8



Attach the Support Leg Panel (E) to the Foldable Seat Panel (A) using Screw (⑤) and Allen Wrench (⑥) as shown above.
Do not fully tighten the Screws.

Assembly Steps

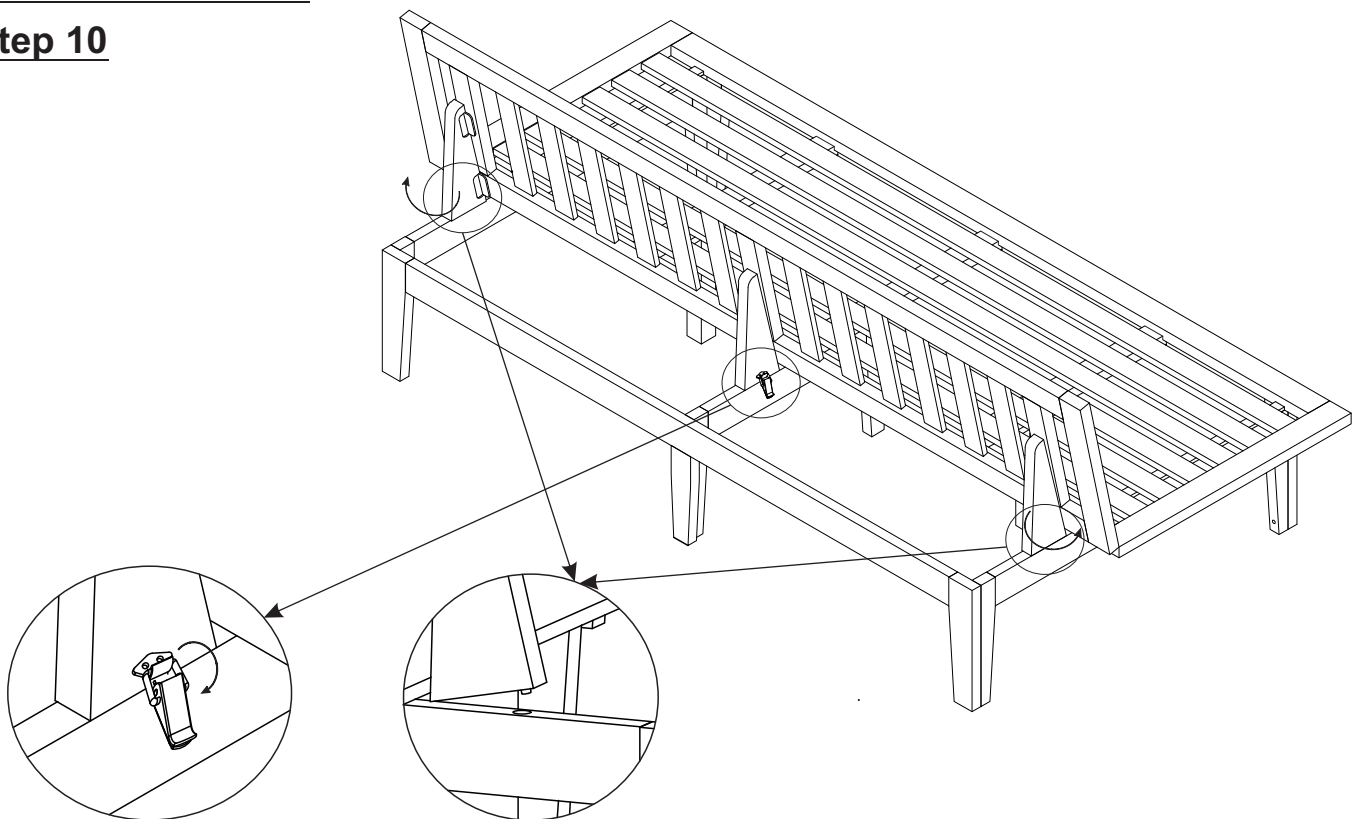
Step 9



Attach the Support Leg (F) to the Foldable Seat Panel (A) using Screw (④) and Allen Wrench (⑥) as shown above.
Repeat the same process with remaining Support Leg (F).
Do not fully tighten the Screws.

Function 1: A Sofa

Step 10

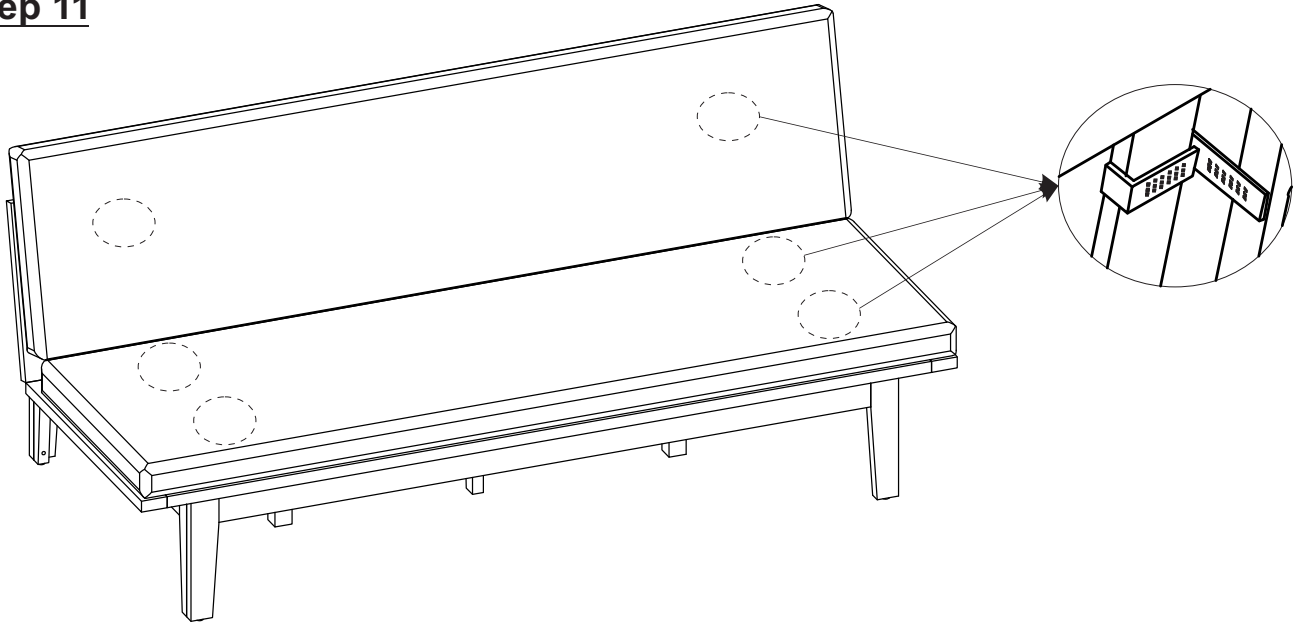


With the help of your adult partner, stand the assemble in step 9 up.
Rotate the Block perpendicular to the Back of Daybed, using Duckbill Buckle to lock the Back of Daybed with Middle Support Leg Panel (E).

Assembly Steps

Function 1: A Sofa

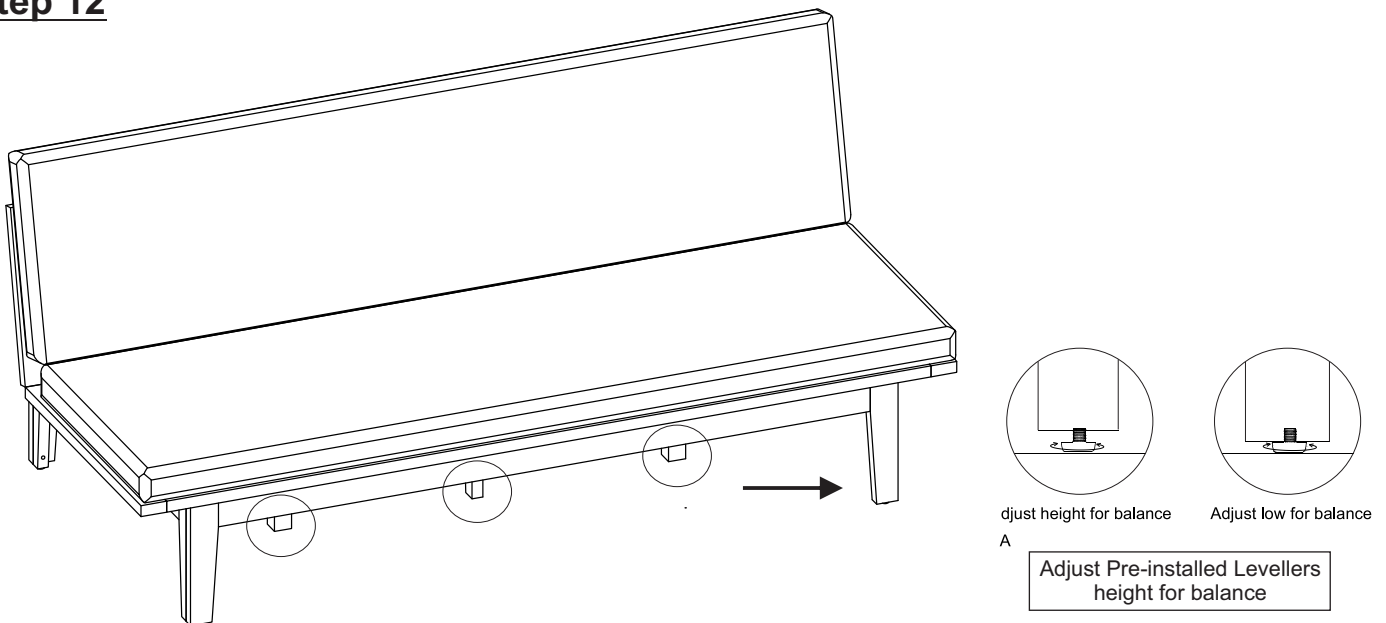
Step 11



Place the Foldable Cushion (G) onto the Daybed and affix the magic tape straps around the Daybed as shown above.

Function 1: A Sofa

Step 12

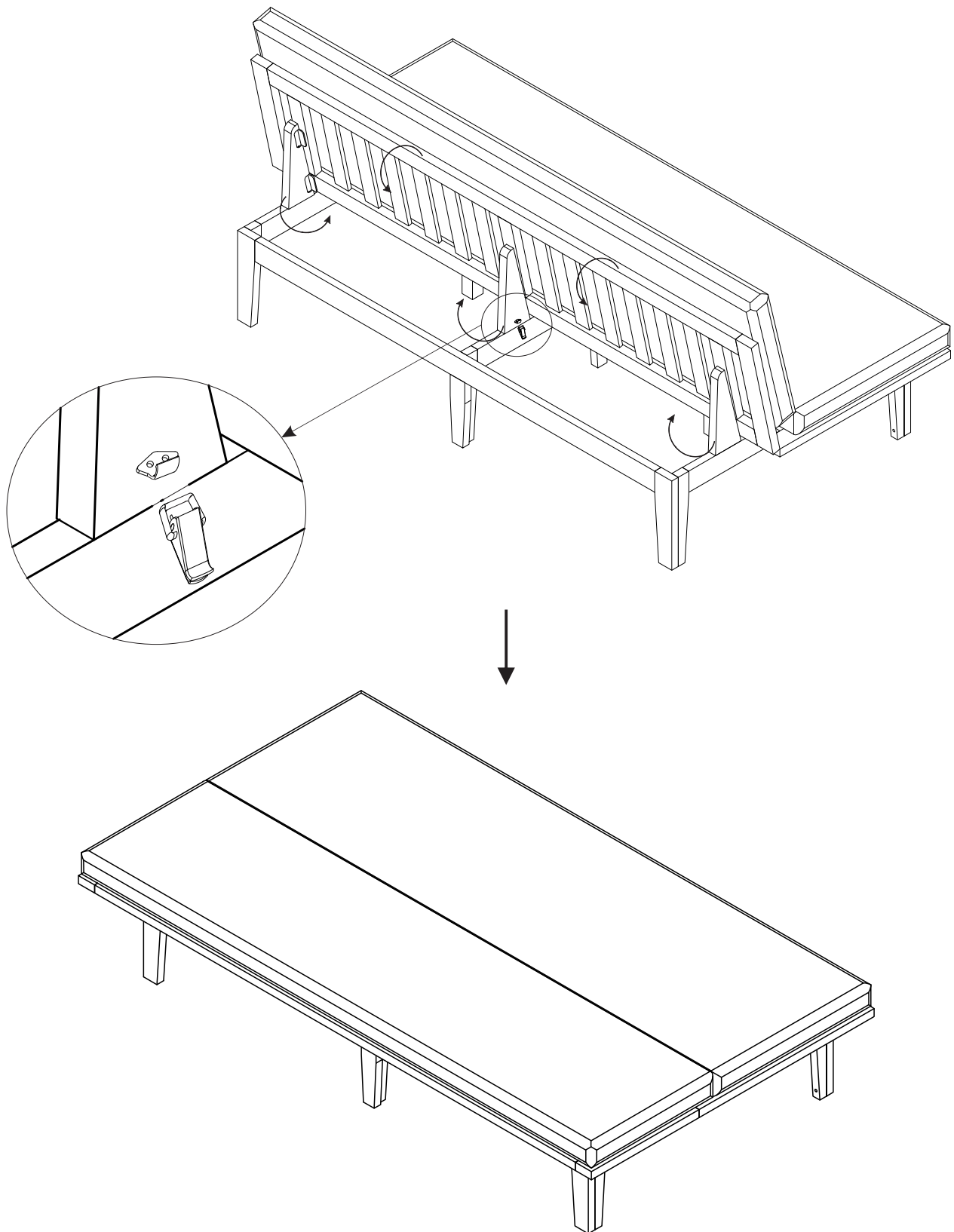


Expert pressure floorwards, onto the Daybed with both your hands.
This pressure will help the Legs and Daybed reach full alignment status.
Check for wobbles on a LEVEL surface.
If no wobbles are found proceed to tighten Bolts, Screws in a sequential manner, until evenly secured. When tightening Bolts, Screws tighten sequentially.
Do not tighten any Bolt, Screw fully and then move on towards the next one.
If there are still wobbles, loosen Bolts, Screws and execute the same above process.
Your Daybed is ready for use.
This Daybed can only be used on a flat, level surface.

Assembly Steps










Function 2: A Bed

Step 13



Unlock the Duckbill Buckle and rotate the Block parallel to the Back of Daybed. Lay down the Back of Daybed on the Back Leg Panel (C) and Side Leg Panel (D).

Care & Maintenance

-  Do not put hot items directly on furniture surface.
-  Do not clean furniture with harsh cleansers or polish.
-  To obtain the longest lifespan of your outdoor products, minimizing exposure to direct sunlight is recommended.
-  Children should not climb or jump on the furniture.
-  Do not write on furniture without a padded barrier to protect the surface.
-  To obtain the longest lifespan of your outdoor products, avoid extended and lengthy exposure to rain, snow, and direct sunshine. Whenever possible cover the product and /or place under patio or awnings.
-  Not for commercial use. For residential use only
-  Stains may be removed with mild soap solution and damp cloth.
-  Dust and pick-up spills using a clean, non-colored, lint-free cloth.